

■ Features

- Small Package
- Complementary to MMBT2907AT



SOT-523 (SC-75A)

■ Absolute Maximum Ratings $T_a = 25^\circ\text{C}$

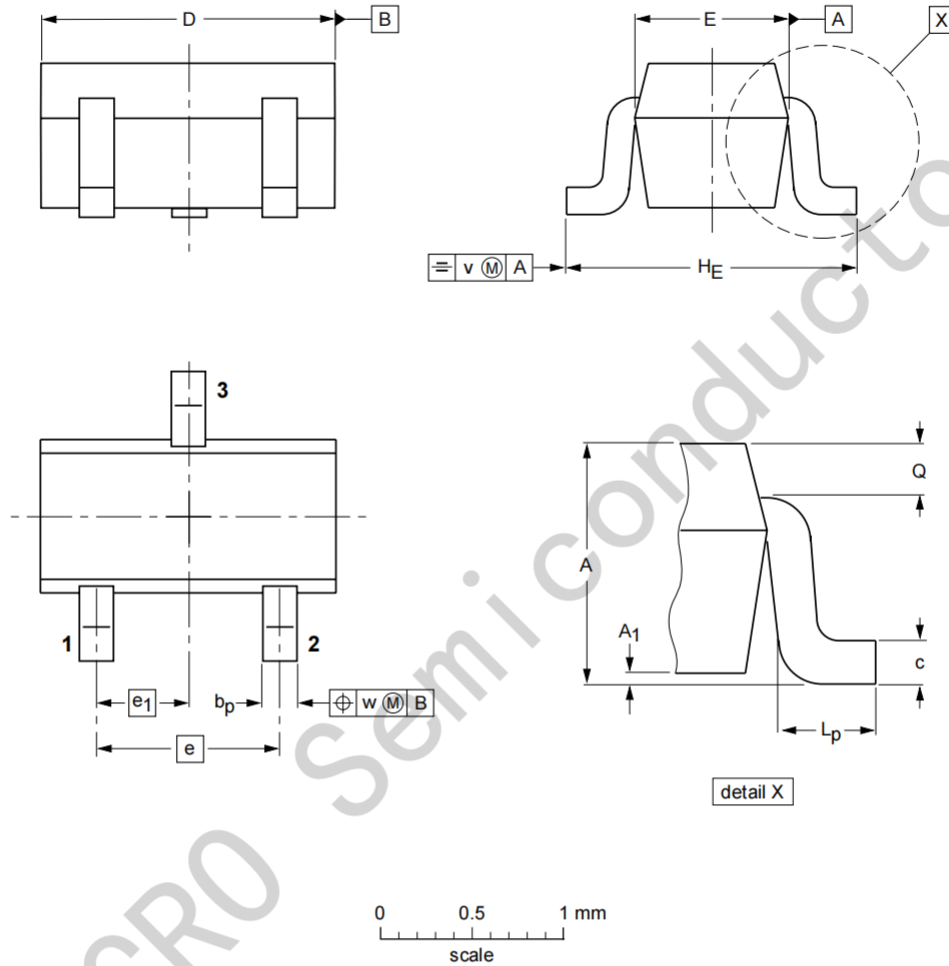
Parameter	Symbol	Rating	Unit
Collector - Base Voltage	V_{CB0}	75	V
Collector - Emitter Voltage	V_{CE0}	40	
Emitter - Base Voltage	V_{EB0}	6	
Collector Current - Continuous	I_C	600	mA
Collector Power Dissipation	P_C	150	mW
Thermal Resistance, Junction to Ambient	$R_{\theta JA}$	833	$^\circ\text{C/W}$
Junction Temperature	T_J	150	$^\circ\text{C}$
Storage Temperature Range	T_{stg}	-55 to 150	

■ Electrical Characteristics Ta = 25°C

Parameter	Symbol	Test Conditions	Min	Typ	Max	Unit
Collector- base breakdown voltage	V _{CBO}	I _C = 100 μA, I _E = 0	75			V
Collector- emitter breakdown voltage	V _{CEO}	I _C = 10 mA, I _B = 0	40			
Emitter - base breakdown voltage	V _{EBO}	I _E = 100 μA, I _C = 0	6			
Collector-base cut-off current	I _{CBO}	V _{CB} = 75 V, I _E = 0			100	nA
Collector cut-off current	I _{CEX}	V _{CE} = 60 V, V _{EB(off)} =3V			100	
Emitter cut-off current	I _{EBO}	V _{EB} = 6V, I _C =0			100	
Collector-emitter saturation voltage	V _{CE(sat)}	I _C =150 mA, I _B =15mA			0.3	V
		I _C = 500 mA, I _B = 50mA			1	
Base - emitter saturation voltage	V _{BE(sat)}	I _C =150 mA, I _B =15mA			1.2	
		I _C = 500 mA, I _B = 50mA			2	
DC current gain	h _{FE(1)}	V _{CE} = 10V, I _C = 0.1mA	35			
	h _{FE(2)}	V _{CE} = 10V, I _C = 1mA	50			
	h _{FE(3)}	V _{CE} = 10V, I _C = 10mA	75			
	h _{FE(4)}	V _{CE} = 10V, I _C = 150mA	100		300	
	h _{FE(5)}	V _{CE} = 10V, I _C = 500mA	40			
Delay time	t _d	V _{CC} =30V, V _{BE(off)} =-0.5V			10	nS
Rise time	t _r	I _C =150mA, I _{B1} =15mA			25	
Storage time	t _s	V _{CC} =30V, I _C =150mA, I _{B1} =I _{B2} =15mA			225	
Fall time	t _f				60	
Collector output capacitance	C _{ob}	V _{CB} = 10V, I _E = 0, f=1MHz			8	pF
Transition frequency	f _T	V _{CE} = 20V, I _C = 20mA, f=100MHz	300			MHz

Package Information

SOT-523



DIMENSIONS (mm are the original dimensions)

UNIT	A	A ₁ max	b _p	c	D	E	e	e ₁	H _E	L _p	Q	v	w
mm	0.95 0.60	0.1	0.30 0.15	0.25 0.10	1.8 1.4	0.9 0.7	1	0.5	1.75 1.45	0.45 0.15	0.23 0.13	0.2	0.2

X-ON Electronics

Largest Supplier of Electrical and Electronic Components

Click to view similar products for [Bipolar Transistors - BJT category](#):

Click to view products by [JSMSEMI manufacturer](#):

Other Similar products are found below :

[BC559C](#) [MCH4017-TL-H](#) [MMBT-2369-TR](#) [BC546/116](#) [NJVMJD148T4G](#) [NTE16](#) [NTE195A](#) [IMX9T110](#) [2N4401-A](#) [2N6728](#) [2SA1419T-TD-H](#) [2SB1204S-TL-E](#) [2SC5488A-TL-H](#) [FMC5AT148](#) [2N2369ADCSM](#) [2N2907A](#) [2N3904-NS](#) [2N5769](#) [2SC4618TLN](#) [CPH6501-TL-E](#) [BC856BW-13-F](#) [US6T6TR](#) [BAX18/A52R](#) [BC556/112](#) [IMZ2AT108](#) [MMST8098T146](#) [MCH6102-TL-E](#) [BC846B-13-F](#) [2N3879](#) [30A02MH-TL-E](#) [NTE13](#) [NTE282](#) [NTE323](#) [NTE350](#) [NTE81](#) [JANTX2N2920L](#) [JANSR2N2907AUB](#) [CMLT3946EG TR](#) [SNSS40600CF8T1G](#) [CMLT3906EG TR](#) [GRP-DATA-JANS2N2907AUB](#) [GRP-DATA-JANS2N2222AUA](#) [MMDT3946FL3-7](#) [2N4240](#) [JANS2N3019](#) [MSB30KH-13](#) [2N2221AUB](#) [2SD1815T-TL-E](#) [2N6678](#) [2N2907Ae4](#)