

FEATURES

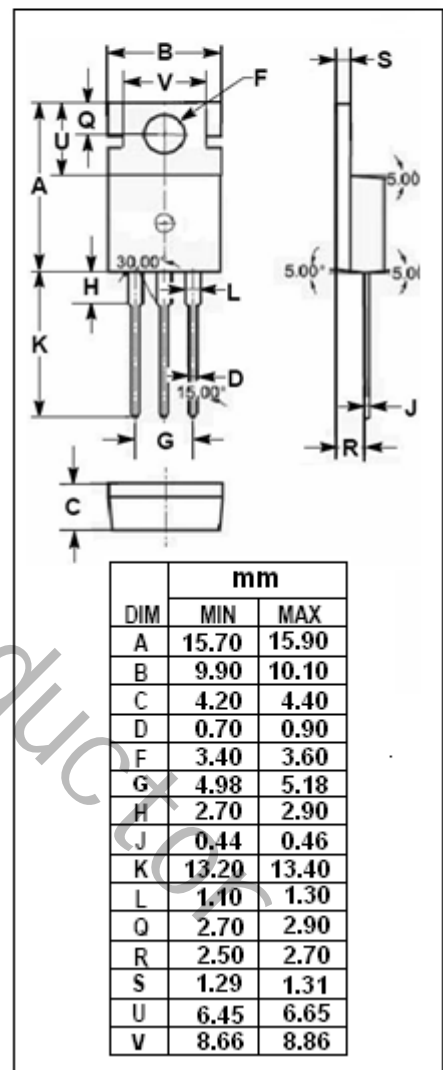
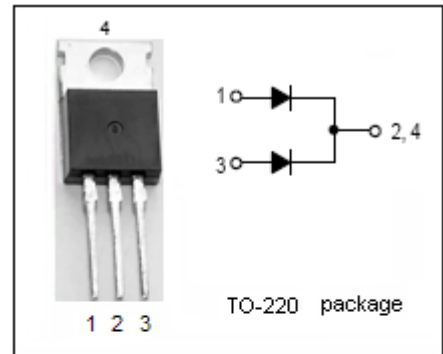
- Dual Rectifier Conduction, Positive Center Tap
- Low Power Loss/High Efficiency
- High Current Capability, Low Forward Voltage Drop
- High Surge Capacity
- Guarding for Overvoltage protection
- For Use in Low Voltage, High Frequency Inverters, Free Wheeling, and Polarity Protection Applications

MECHANICAL CHARACTERISTICS

- Case: Epoxy, Molded
- Finish: All External Surfaces Corrosion Resistant and Terminal Leads are Readily Solderable
- High Temperature Soldering Guaranteed: 250°C Max. for 10 Seconds

ABSOLUTE MAXIMUM RATINGS(T_a=25°C)

SYMBOL	PARAMETER	VALUE	UNIT
V _{RRM}	Peak Repetitive Reverse Voltage	60	V
V _{RMS}	RMS Voltage	42	
V _R	DC Blocking Voltage	60	
I _{F(AV)}	Average Rectified Forward Current T _C = 100°C	30	A
I _{FSM}	Nonrepetitive Peak Surge Current 8.3ms single half sine-wave superimposed on rated load conditions	200	A
T _J	Junction Temperature	-55~150	°C
T _{stg}	Storage Temperature Range	-55~175	°C
dv/dt	Voltage Rate of Change (Rated V _R)	10,000	V/μs



THERMAL CHARACTERISTICS

SYMBOL	PARAMETER	MAX	UNIT
$R_{th\ j-c}$	Thermal Resistance, Junction to Case	1.5	°C/W

ELECTRICAL CHARACTERISTICS (Pulse Test: Pulse Width $\leq 300\ \mu s$, Duty Cycle $\leq 2\%$)

SYMBOL	PARAMETER	CONDITIONS	MAX	UNIT
V_F	Maximum Instantaneous Forward Voltage	$I_F = 30A; T_C = 25^\circ C$ $I_F = 30A; T_C = 125^\circ C$	0.95 0.85	V
I_R	Maximum Instantaneous Reverse Current	Rated DC Voltage, $T_C = 25^\circ C$	0.2	mA

X-ON Electronics

Largest Supplier of Electrical and Electronic Components

Click to view similar products for [Schottky Diodes & Rectifiers](#) category:

Click to view products by [JSMSEMI](#) manufacturer:

Other Similar products are found below :

[MA4E2039](#) [MMBD301M3T5G](#) [RB160M-50TR](#) [D83C](#) [BAS16E6433HTMA1](#) [BAS 3010S-02LRH E6327](#) [BAT 54-02LRH E6327](#)
[NRVBAF360T3G](#) [NSR05F40QNXT5G](#) [NTE555](#) [JANS1N6640](#) [SS3003CH-TL-E](#) [GA01SHT18](#) [CRS10I30A\(TE85L,QM](#) [MBRA140TRPBF](#)
[MBRB30H30CT-1G](#) [BAT 15-04R E6152](#) [JANTX1N5712-1](#) [DMJ3940-000](#) [SB007-03C-TB-E](#) [NRVBB20100CTT4G](#) [NRVBM120LT1G](#)
[NTSB30U100CT-1G](#) [CRG04\(T5L,TEMQ\)](#) [ACDBA1100LR-HF](#) [ACDBA1200-HF](#) [ACDBA240-HF](#) [ACDBA3100-HF](#) [CDBQC0530L-HF](#)
[ACDBA260LR-HF](#) [ACDBA1100-HF](#) [10BQ015-M3/5BT](#) [NRVBM120ET1G](#) [VSSB410S-M3/5BT](#) [1N5819T-G](#) [PDS1040Q-13](#) [B160BQ-13-F](#)
[SDM05U20CSP-7](#) [BAS 70-07 E6433](#) [B140S1F-7](#) [HSM560Je3/TR13](#) [DDB2265-000](#) [ZHCS506QTA](#) [HSM190Je3/TR13](#) [B330AF-13](#)
[ACDBUC0230-HF](#) [SDM1U100S1F-7](#) [MBR10200CTF-G1](#) [CDLL5712](#) [DMF2822-000](#)