

DESCRIPTION

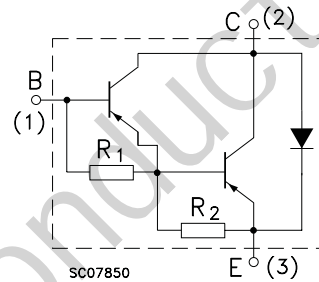
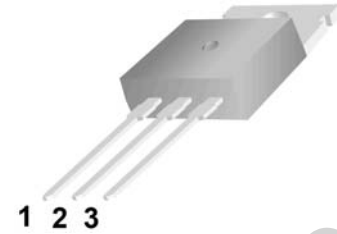
- With TO-220C package
- DARLINGTON
- High DC current gain
- Low collector saturation voltage
- Complement to type TIP120/121/122

APPLICATIONS

- Designed for general-purpose amplifier and low-speed switching applications

PINNING

PIN	DESCRIPTION
1	Base
2	Collector; connected to mounting base
3	Emitter


Absolute maximum ratings(Tc=25)

SYMBOL	PARAMETER	CONDITIONS	VALUE	UNIT
V _{CBO}	Collector-base voltage	TIP125	-60	V
		TIP126	-80	
		TIP127	-100	
V _{CEO}	Collector-emitter voltage	TIP125	-60	V
		TIP126	-80	
		TIP127	-100	
V _{EBO}	Emitter-base voltage	Open collector	-5	V
I _C	Collector current-DC		-5	A
I _{CM}	Collector current-Pulse		-8	A
I _B	Base current-DC		-120	mA
P _C	Collector power dissipation	T _C =25	65	W
		T _a =25	2	
T _j	Junction temperature		150	
T _{stg}	Storage temperature		-65~150	

CHARACTERISTICS

 T_j=25 unless otherwise specified

SYMBOL	PARAMETER		CONDITIONS	MIN	TYP.	MAX	UNIT
V _{CE0(SUS)}	Collector-emitter sustaining voltage	TIP125	I _C =-0.1A, I _B =0	-60			V
		TIP126		-80			
		TIP127		-100			
V _{CEsat-1}	Collector-emitter saturation voltage		I _C =-3A, I _B =-12mA			-2.0	V
V _{CEsat-2}	Collector-emitter saturation voltage		I _C =-5A, I _B =-20mA			-4.0	V
V _{BE}	Base-emitter on voltage		I _C =-3.0A; V _{CE} =-3V			-2.5	V
I _{CBO}	Collector cut-off current	TIP125	V _{CB} =-60V, I _E =0			-0.2	mA
		TIP126	V _{CB} =-80V, I _E =0				
		TIP127	V _{CB} =-100V, I _E =0				
I _{CEO}	Collector cut-off current	TIP125	V _{CE} =-30V, I _B =0			-0.5	mA
		TIP126	V _{CE} =-40V, I _B =0				
		TIP127	V _{CE} =-50V, I _B =0				
I _{EBO}	Emitter cut-off current		V _{EB} =-5V; I _C =0			-2	mA
h _{FE-1}	DC current gain		I _C =-0.5A; V _{CE} =-3V	1000			
h _{FE-2}	DC current gain		I _C =-3.0A; V _{CE} =-3V	1000			
C _{ob}	Output capacitance		I _E =0; V _{CB} =-10V, f=0.1MHz			300	pF

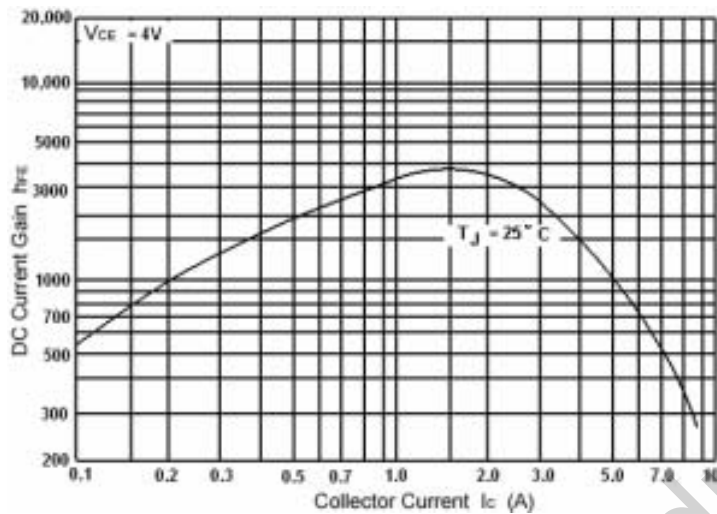


Fig.3 DC current Gain

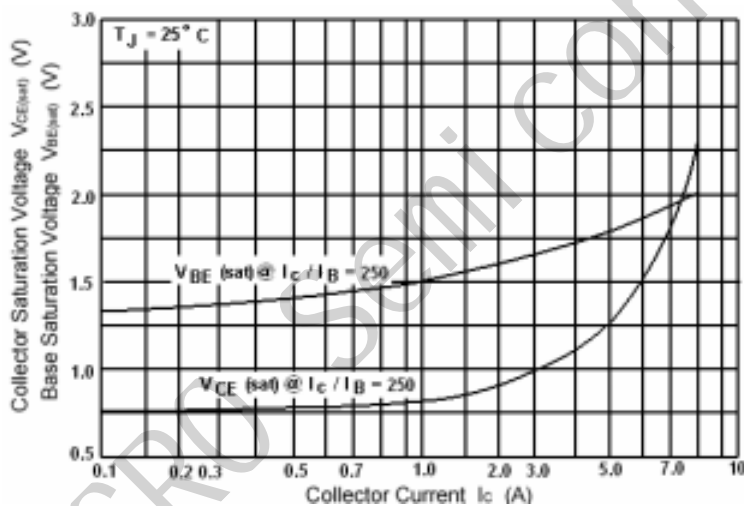


Fig.4 Base-Emitter Saturation Voltage
Collector-Emitter Saturation Voltage

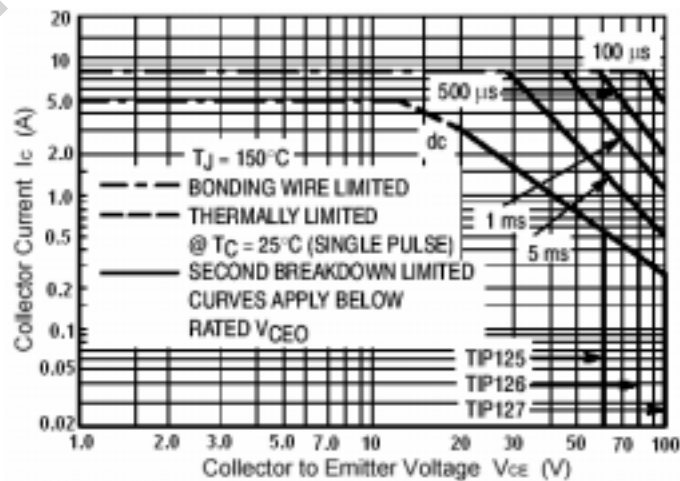
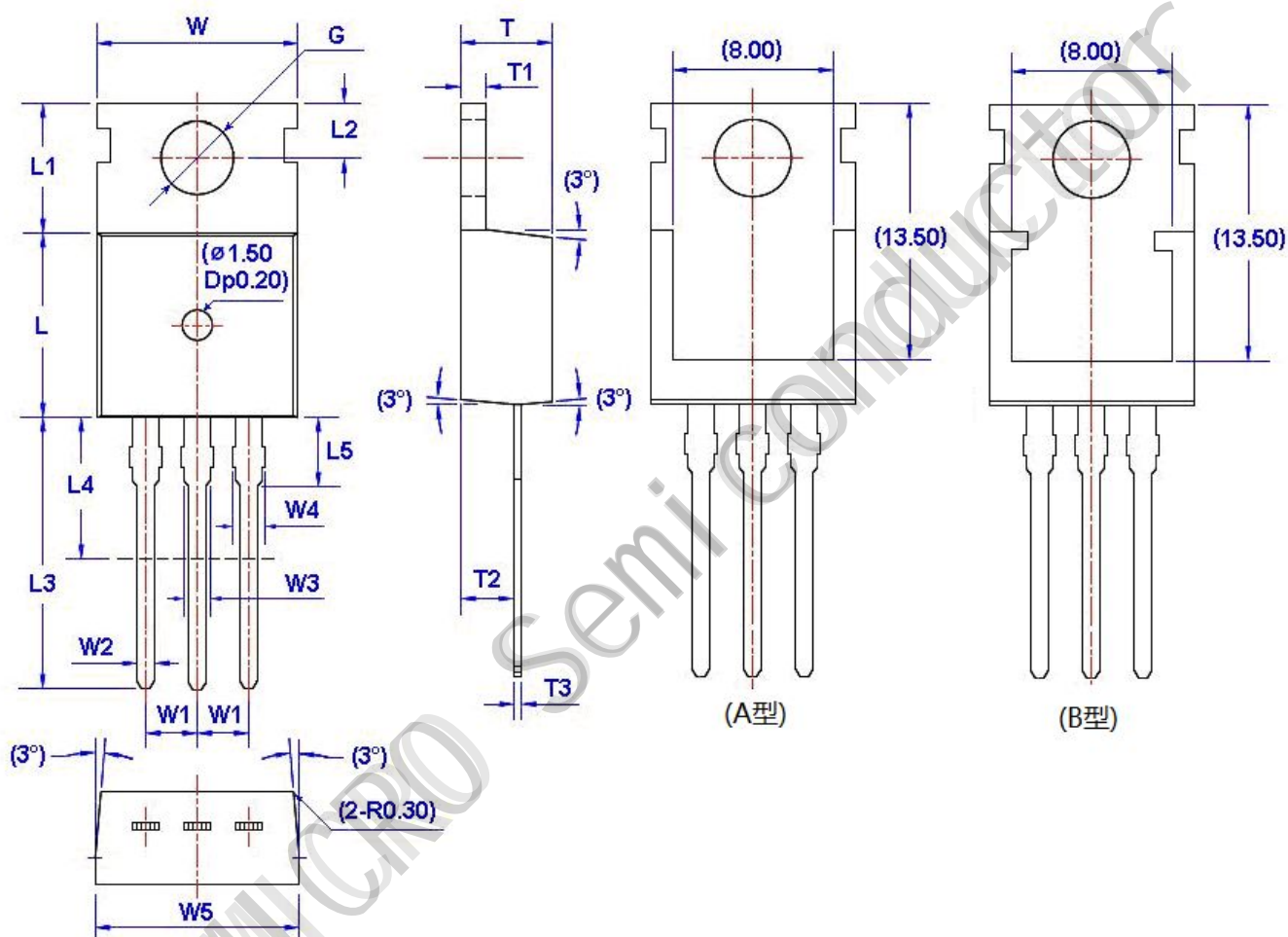


Fig.5 Safe Operating Area

TO-220 Package Dimensions



Unit: mm

Symbol	Size		Symbol	Size		Symbol	Size		Symbol	Size	
	Min	Max		Min	Max		Min	Max		Min	Max
W	9.66	10.28	W5	9.80	10.20	L4**	6.20	6.60	T3	0.45	0.60
W1	2.54 (TYP)		L	9.00	9.40	L5	2.79	3.30	G(Φ)	3.50	3.70
W2	0.70	0.95	L1	6.40	6.80	T	4.30	4.70			
W3	1.17	1.37	L2	2.70	2.90	T1	1.15	1.40			
W4*	1.32	1.72	L3	12.70	14.27	T2	2.20	2.60			

X-ON Electronics

Largest Supplier of Electrical and Electronic Components

Click to view similar products for [Darlington Transistors](#) category:

Click to view products by [JSMSEMI](#) manufacturer:

Other Similar products are found below :

[BDV64B](#) [SBSP52T1G](#) [Jantx2N6058](#) [LB1205-L-E](#) [2N6053](#) [MPSA63](#) [NTE256](#) [TIP120](#) [MJ11028](#) [TIP127](#) [Jantx2N6352](#) [NJVBUB323ZT4G](#)
[ULN2003](#) [ULN2803QN](#) [GN2003B](#) [MJD127T4G-JSM](#) [KID65004AF-EL/P](#) [ULN2803](#) [ULN2803CDWR](#) [HT62783ARTZ](#) [ULN2803A](#)
[GN2803A](#) [MC1413BM/TR](#) [ULN2003AN](#) [ULN2003LVM/TR](#) [HT1413ARZ](#) [ULN2803A](#) [ULN2003](#) [ULN2803](#) [IK62783N](#) [IK62083N](#)
[ULN2003AL](#) [MMBTA63](#) [ULN2001D](#) [ULN2004N](#) [ULN2003A](#) [TIP127-JSM](#) [2N6052](#) [BTC1510F3L-TA3-T](#) [WD2001](#) [WD2003STR-G](#)
[WD2803M](#) [Aip2803DA18.TB](#) [Aip2003DA16.TB](#) [XL2003-TS](#) [2SB1560](#) [2SB852KT146B](#) [2SD2560](#) [TIP112TU](#) [BCV27](#)