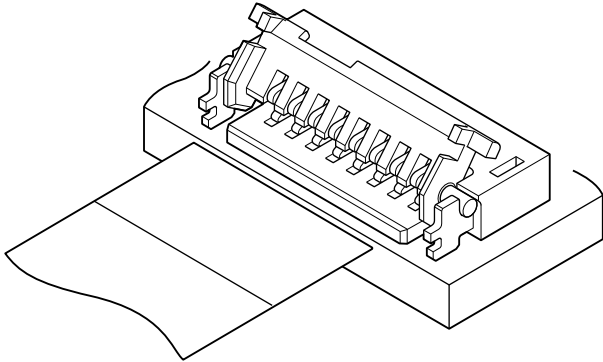


FHS CONNECTOR

0.5 mm pitch / Connectors for PC board / For FPC, ZIF type



FHS connector is a space-saving type connector for FPC with 3.1 mm depth, though it is low profile of 0.9 mm mounting height. 0.2 mm thick standard FPC.

- Space saving design
- Heat resisting design suitable for surface mounting
- Self-lock mechanism enables the cover to close by one-touch operation

Specifications

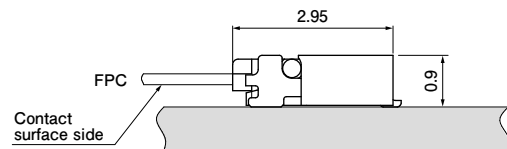
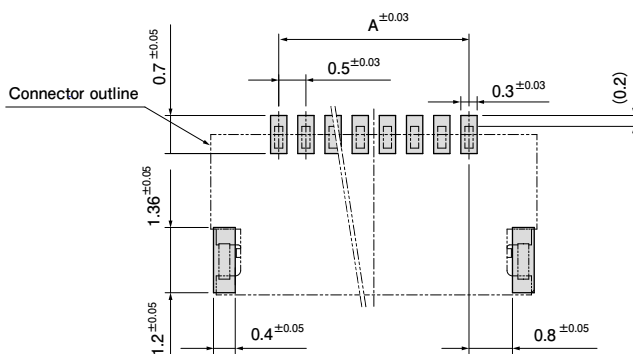
- Current rating: 0.5 A AC/DC
- Voltage rating: 50 V AC/DC
- Temperature range: -25°C to +85°C
(including temperature rise in applying electrical current)
- Contact resistance: Initial value/60 mΩ max.
After environmental tests/60 mΩ max.
(variation from initial value)
- Insulation resistance: 800 MΩ min.
- Withstanding voltage: There shall be no breakdown or flashover while applying 200 VAC for one minute.
- Applicable FPC: Conductor pitch/0.5 mm
Conductor width/0.35 mm
Thickness of contact area/0.2 ± 0.03 mm
- * Please refer to the "Handling Precautions for Terminals and Connectors" on our website (listed in the "Technical Documents" column on the Product Information page) before use.
- * RoHS2 compliance
- * Dimensional unit: mm
- * Contact JST for details.

Standards

For information on overseas standard registrations, please refer to the "List of Registered Overseas Standards" on our website (listed in the "Technical Documents" column on the Product Information page).

※ Specifications registered to overseas standards may differ from the general specifications listed above.

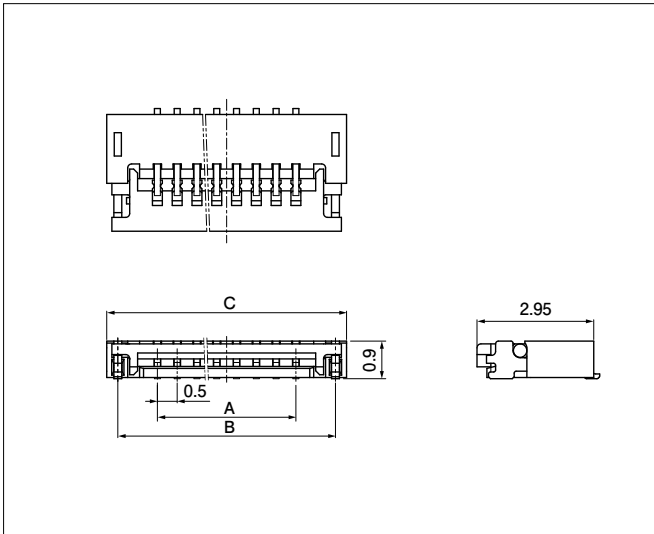
PC board layout and Assembly layout



- Note 1) The PC board layout figure shown is viewed from the connector mounting surface.
2) Tolerance for the PCB pattern pitch shall be ± 0.03 and shall not accumulate.
The above dimensions are reference values. Please contact JST for details.

FHS CONNECTOR

Connector



No. of circuits	Model No.	Dimensions (mm)			Q'ty/ reel
		A	B	C	
4	04FHS-RSM1-GAN-TB	1.5	3.5	4.06	6,000
6	06FHS-RSM1-GAN-TB	2.5	4.5	5.06	6,000
8	08FHS-RSM1-GAN-TB	3.5	5.5	6.06	6,000

Material and Surface finish, etc.

Contact: Copper alloy, nickel-undercoated, selective gold-plated
Housing: Heat resisting resin
Solder tab: Copper alloy, copper-undercoated, tin-plated
Cover: Heat resisting resin

This product is supplied on embossed tape and reel packaging.

Dimensions of FPC lead section

