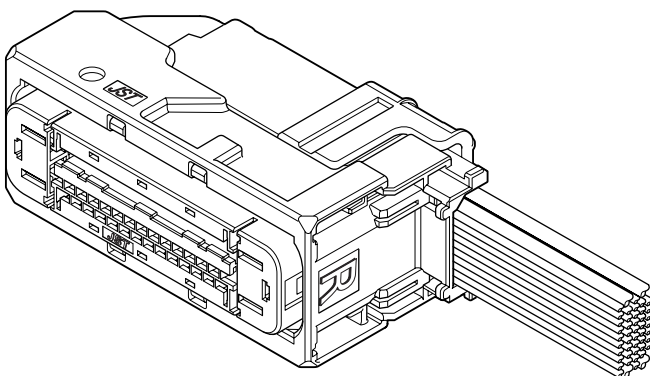




47 Circuits 0.64/6.3 Hybrid Sealed Connector compliant with the USCAR footprints and performance standard. Designed for ABS application.

Features

- 47 circuits: 0.64/6.3 Hybrid Sealed Connector
- Compliant with the Standard USCAR Footprints
- Ergonomic, dual action lever mechanism design for low Mating Force
- Alternative Cable routing design
- Flash-Over options are available for blocking unused circuits
- Cable protector (optional) for additional cable protection

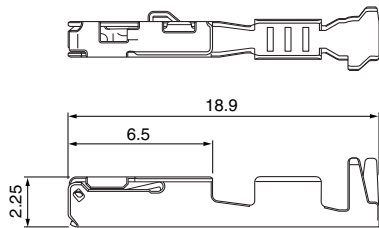


Specifications

- Current rating: 0.64 Terminal/ 5A DC max.
6.3 Terminal/ 40A DC max.
- Voltage rating: 14V DC
- Temperature range: -40°C to +125°C
(including temperature rise in applying electrical current)
- Contact resistance:
0.64 Terminal; Initial value/20mΩ max.
After environmental testing/20mΩ max.
6.3 Terminal; Initial value/1.5mΩ max.
After environmental testing/1.5mΩ max.
- Insulation resistance: 20MΩ min.
- Applicable wire:
0.64 Terminal; SAE/ AVSS/ CAVS 0.3mm² to 0.8mm²
6.3 Terminal; 2.5mm² (AWG#12)

- * Compliant with ELV/RoHS.
- * Contact JST for details.

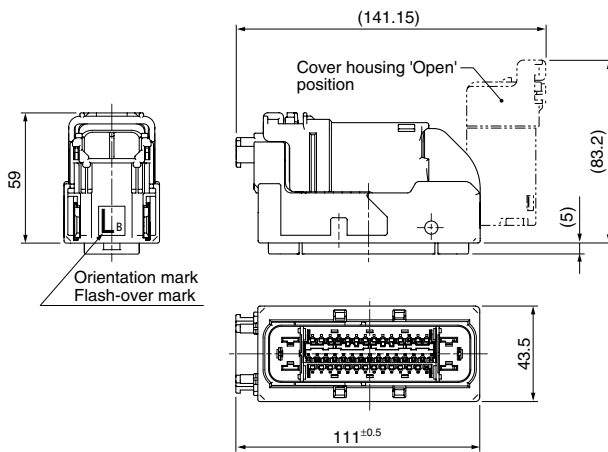
Female terminal



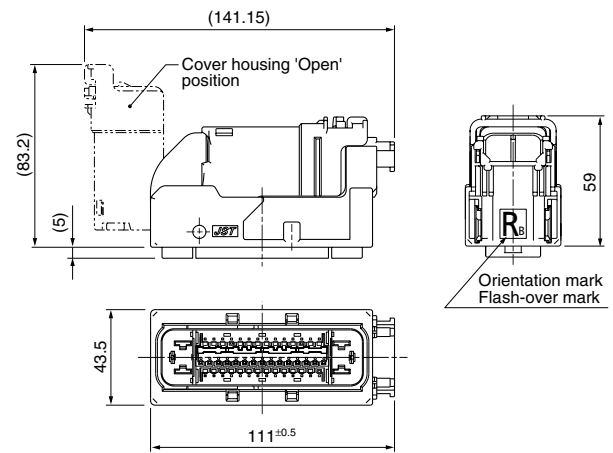
Model No.	Applicable wire range		Q'ty/reel
	Conductor (mm ²)	Insulation O.D. (mm)	
①SAITS-A03T-M064	0.3 to 0.5	≤1.9	3,500
①SAITS-A02T-M064	0.75 to 0.8	≤1.9	3,500
②GT630 or equivalent Terminal (Customer specified terminal.)			
Material and Finish			
①Copper alloy, tin-plated (reflow treatment)			
②Copper alloy (refer to Delphi for detail)			

Female connector

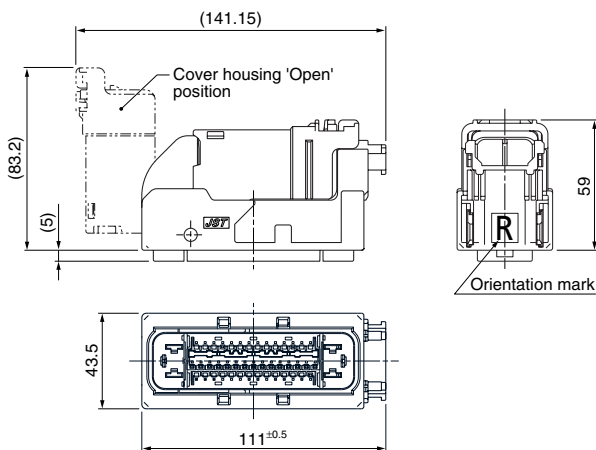
● ASGPB-1547L2A-K/ASGPB-2547L2A-K (Flash-over option)



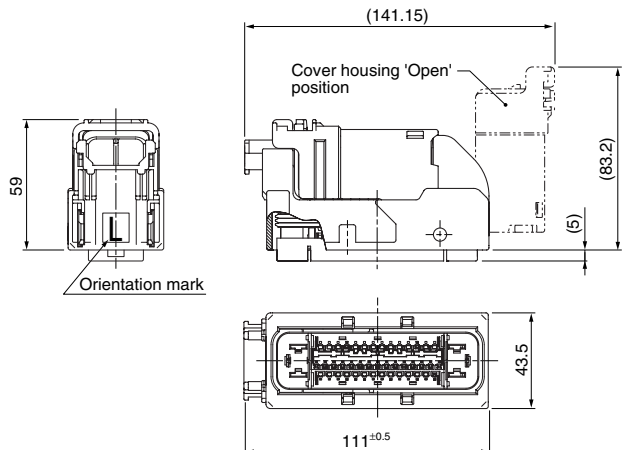
● ASGPB-1547R2A-K (Flash-over option)



● ASGPB-47R1A-K



● ASGPB-47L1A-K



Circuits		Model No.	Q'ty/box
6.3	0.64		
3	22	ASGPB-2547L2A-K	70
4	11	ASGPB-1547R2A-K	70
		ASGPB-1547L2A-K	70
	43	ASGPB-47R1A-K	70
		ASGPB-47L1A-K	70

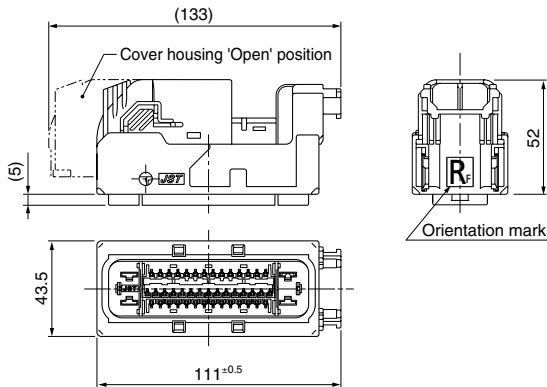
Material

Housing: Glass-filled PBT, black
 Lever: Glass-filled PBT, black
 Slide: Glass-filled PA, black
 Ring seal: Silicone, green
 TPA: Glass-filled PBT, natural (white)

ASG CONNECTOR

Female connector

● ASGPB-F1947R-3AK

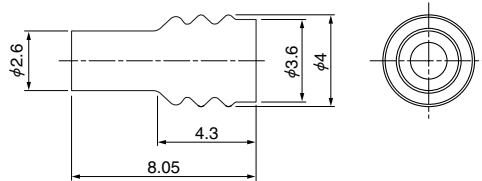


Circuits		Model No.	Q'ty/box
6.3	0.64		
3	16	ASGPB-F1947R-3AK	70

Material

Housing: Glass-filled PBT, black
 Slide: Glass-filled PA, black
 Matte seal: Silicone, rust red
 Back cover: Glass-filled PBT, black
 Ring seal: Silicone, green
 TPA: Glass-filled PBT, natural (white)

Wire seal

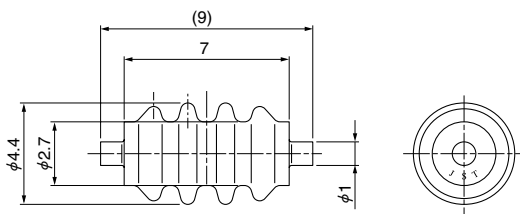


Model No.	Applicable wire range		Q'ty/box	Color
	Conductor (mm ²)	Insulation O.D. (mm)		
A03CS-AIT-M	0.3 to 0.5	1.6 to 1.9	50,000	Green
A04CS-AIT-N	0.75 to 0.8	1.2 to 1.6	50,000	Brown

Material

Silicone

Plug

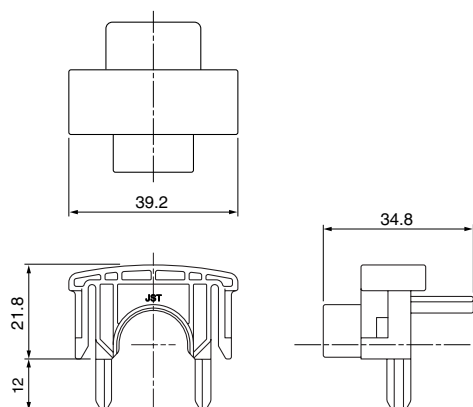


Model No.	Q'ty/box
064PLG-AIT-R	10,000

Material

Silicone, red

Cable protector



Model No.	Q'ty/box
ASGC-1547-2A-K	1,000

Material

PBT, black

Crimping machine, Applicator

Strip terminal	Crimping machine	Crimp applicator MKS-L	
		Dies	Crimp applicator with dies
SAITS-A03T-M064	AP-K2N	MK/SAITS-A03-064	APLMK SAITS-A03-064
SAITS-A02T-M064		MK/SAITS-A02-064	APLMK SAITS-A02-064

Note: When crimping operation is conducted using an applicator and die set other than the above, JST cannot guarantee the performance of the terminal.

X-ON Electronics

Largest Supplier of Electrical and Electronic Components

Click to view similar products for [Automotive Connectors](#) category:

Click to view products by [JST manufacturer](#):

Other Similar products are found below :

[003-018-000](#) [60403001](#) [60993906-B](#) [M902-2131](#) [M902-2161](#) [M902-2344](#) [72.330.1035.1](#) [73.353.4028.0](#) [F119300-B](#) [F166900](#) [F258300-B](#)
[F358300-B](#) [F407400](#) [F444110](#) [F487000](#) [F509500B-B](#) [827153-1](#) [8N1515-32-24P](#) [9-1326729-8](#) [925474-1](#) [928905-1](#) [964562-4](#) [968782-1](#)
[GT17SA-8DS-HU](#) [98891-1012](#) [98947-1016](#) [12004147](#) [12004475-L](#) [12010290](#) [12010309-B](#) [12015454](#) [12020219-B](#) [12041318-B](#) [12052225-](#)
[L](#) [12052466](#) [12064869](#) [12004327-B](#) [12015308](#) [12015384](#) [12015909](#) [1-21030-1](#) [12041254](#) [12041318](#) [12047946-B](#) [12047957](#) [12047957-L](#)
[12059473](#) [12066261](#) [12110546](#) [12110546-B](#)