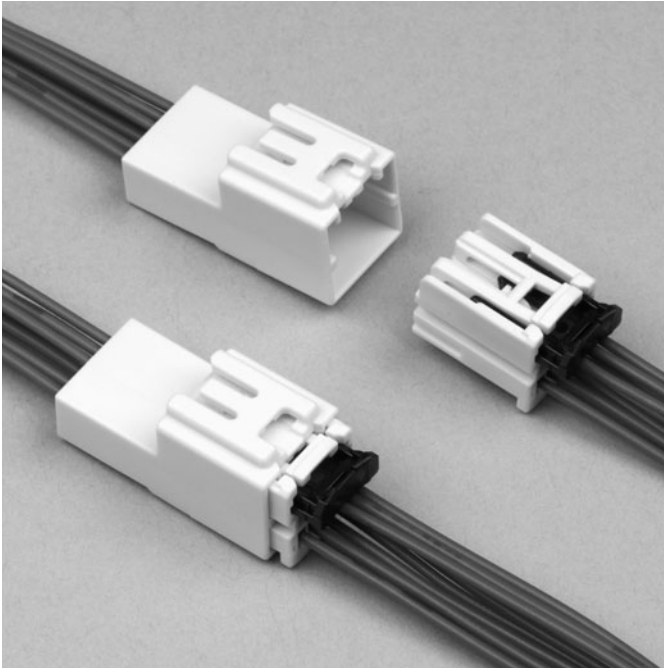
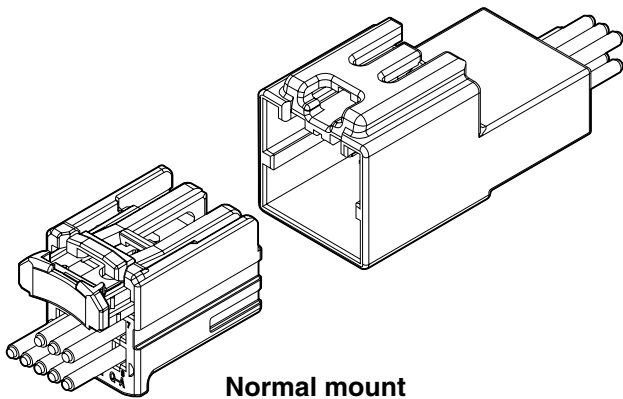


HIC CONNECTOR

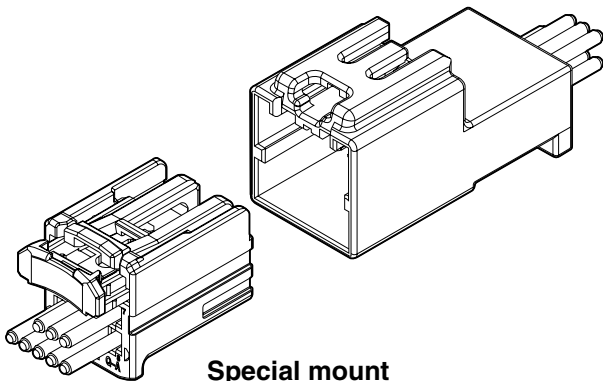
Wire-to-wire



This wire-to-wire connector for air-bag has CPA, which allows locking the connector, incomplete mating detection and release of short-circuit at the same time.



Normal mount



Special mount

Features

● **4 types are available, it enables to select with various specifications to automobile.**

Normal mount, with short terminal
Normal mount, without short terminal
Special mount, with short terminal
Special mount, without short terminal

● **Incomplete mating detection mechanism**

Mis-insertion and insertion error at the assembly line can detect with a CPA housing.

● **Terminal construction**

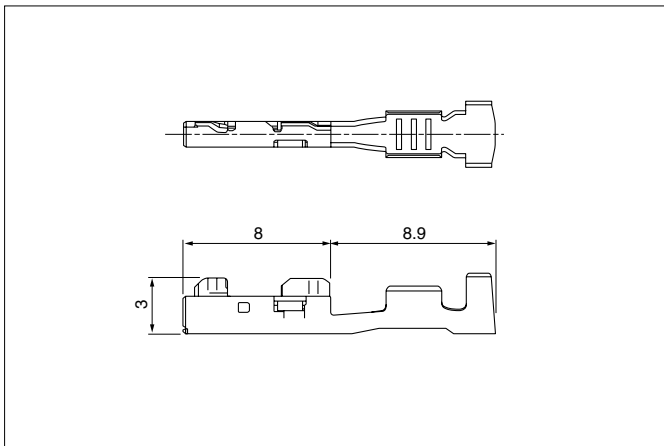
It is designed to prevent the deformation of the contact part when processing wire harness by protecting the contact part of each terminal with a box.

Specifications

- Current rating: 5A AC, DC (0.5mm², Single circuit)
- Voltage rating: 14V AC, DC
- Temperature range: -40°C to +100°C
(including temperature rise in applying electrical current)
- Contact resistance:
 - Female terminal; Initial value/8mΩ max.
After environmental testing/16mΩ max.
 - Short terminal; Initial value/50mΩ max.
After environmental testing/100mΩ max.
- Insulation resistance: 100MΩ min.
- Withstanding voltage: 1,000V AC/minute
- Applicable wire: AVSS
0.3mm² to 0.5mm²

* Compliant with ELV/RoHS.
* Contact JST for details.

Female terminal

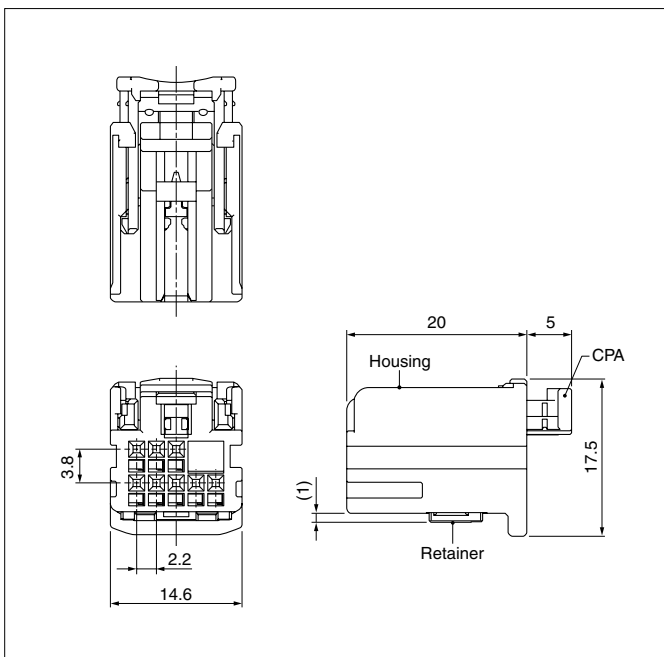


Model No.	Applicable wire range		Q'ty/reel
	Conductor (mm ²)	Insulation O.D. (mm)	
SNAC3-A021GF-M0.64-1	0.3 to 0.5	1.4 to 1.8	5,000

Material and Finish

Copper alloy, nickel-undercoated, Male contact area: gold-plated

Female connector

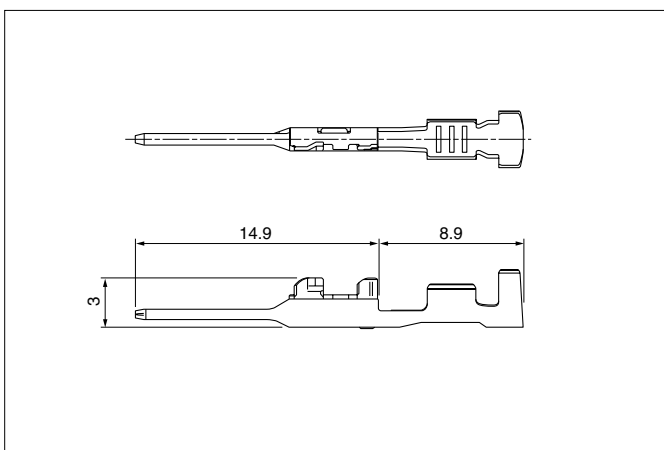


Circuits	Model No.	Q'ty/box
8	08HIC-R-1A	720

Material

Housing: PBT, yellow
Retainer: PBT, black
CPA housing: PBT, black

Male terminal



Model No.	Applicable wire range		Q'ty/reel
	Conductor (mm ²)	Insulation O.D. (mm)	
SNAC3W-A021GF-0.64	0.3 to 0.5	1.4 to 1.8	7,000

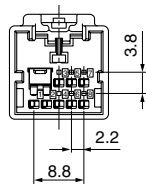
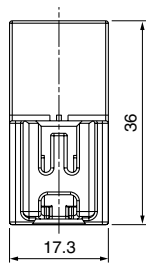
Material and Finish

Brass, nickel-undercoated, Female contact area; gold-plated,
Short terminal contact area; gold-plated

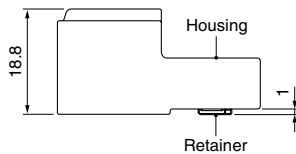
HIC CONNECTOR

Male connector

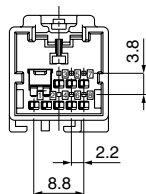
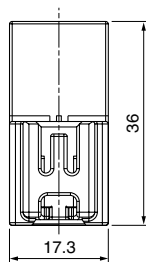
• Normal mount



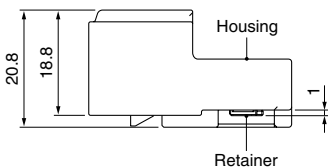
Model No.	
08HIC-P-1A	08HIC-P-1B
With short terminal	Without short terminal



• Special mount



Model No.	
08HIC-P-2A	08HIC-P-2B
With short terminal	Without short terminal



Circuits	Model No.	Q'ty/box
8	08HIC-P-1A	560
	08HIC-P-1B	
	08HIC-P-2A	
	08HIC-P-2B	

Material and Finish

Housing: PBT, yellow
 Retainer: PBT, black
 Short terminal: Copper alloy, nickel-undercoated,
 Contact area; gold-plated

Crimping machine, Applicator

Strip terminal	Crimping machine	Crimp applicator MKS-L	
		Dies	Crimp applicator with dies
SNAC3-A021GF-M0.64-1	AP-K2N	MK/SNAC3-A021-064	APLMK SNAC3-A021-064
SNAC3W-A021GF-0.64		MK/SNAC3W-A021-064	APLMK SNAC3W-A021-064

Note: When crimping operation is conducted using an applicator and die set other than the above, JST cannot guarantee the performance of the terminal.

X-ON Electronics

Largest Supplier of Electrical and Electronic Components

Click to view similar products for [Automotive Connectors](#) category:

Click to view products by [JST manufacturer](#):

Other Similar products are found below :

[003-018-000](#) [60993906-B](#) [M902-2131](#) [M902-2161](#) [M902-2344](#) [72.330.1035.1](#) [73.353.4028.0](#) [F166900](#) [F358300-B](#) [F407400](#) [776880-1](#)
[827153-1](#) [8N1515-32-24P](#) [9-1326729-8](#) [925474-1](#) [928905-1](#) [964562-4](#) [968782-1](#) [98891-1012](#) [12004475-L](#) [12020308](#) [12041318-B](#)
[12052466](#) [12064869](#) [12015909](#) [1-21030-1](#) [12041254](#) [12041318](#) [12047946-B](#) [12110546-B](#) [12131792](#) [12084688](#) [12092346](#) [HD34-18-14PT](#)
[HD46-24-23SN-059](#) [HDB36-24-16PN-059](#) [HDP26-24-9SE-L015](#) [12185280](#) [12185550](#) [12336-12](#) [12191172-B](#) [12S](#) [13545280](#) [13577943](#)
[13681974](#) [13737722-B](#) [13830674](#) [13832576](#) [13849772](#) [13542772](#)