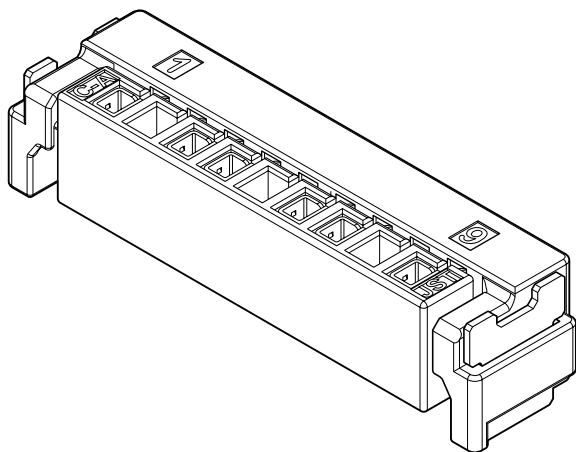


HVD CONNECTOR

Board-to-board



0.64 unsealed alignment-free, low profile surface mount connector for automobile applications.



Features

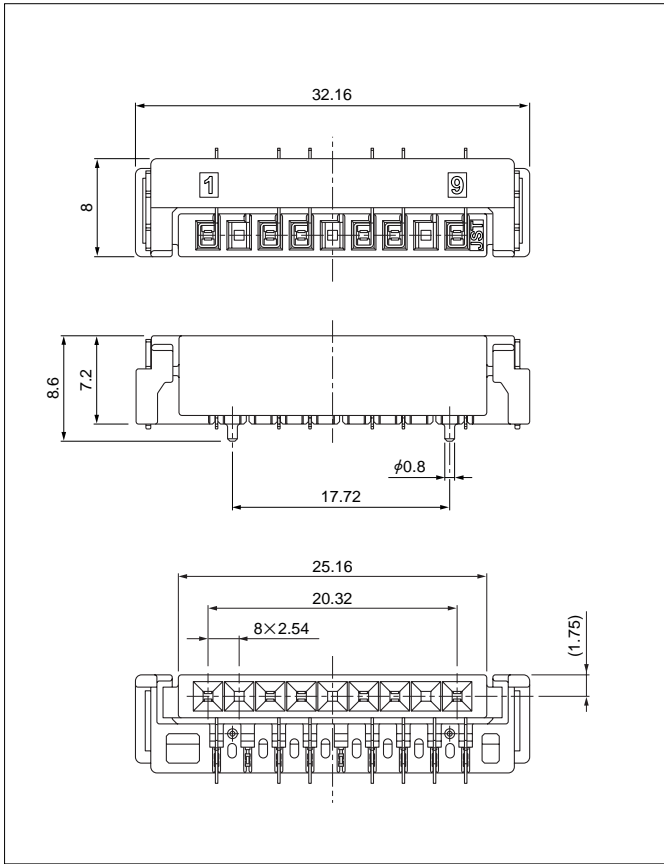
- Low profile Surface mount Board-to-board Connectors, Compliant with Automotive Performance Specifications
- Accepts 0.64 Male Blade
- Misalignment absorption feature
- Variations
Up to 9 positions in any configuration
- Lead Free Reflow capable

Specifications

- Current rating: 4.5 A DC max.
- Voltage rating: 14 V DC
- Temperature range: -40°C to +125°C
(including temperature rise in applying electrical current)
- Contact resistance: Initial value/15 mΩ max.
After environmental tests/15 mΩ max.
- Insulation resistance: 100 MΩ min.

* Compliant with ELV/RoHS2.
* Contact JST for details.

Connector

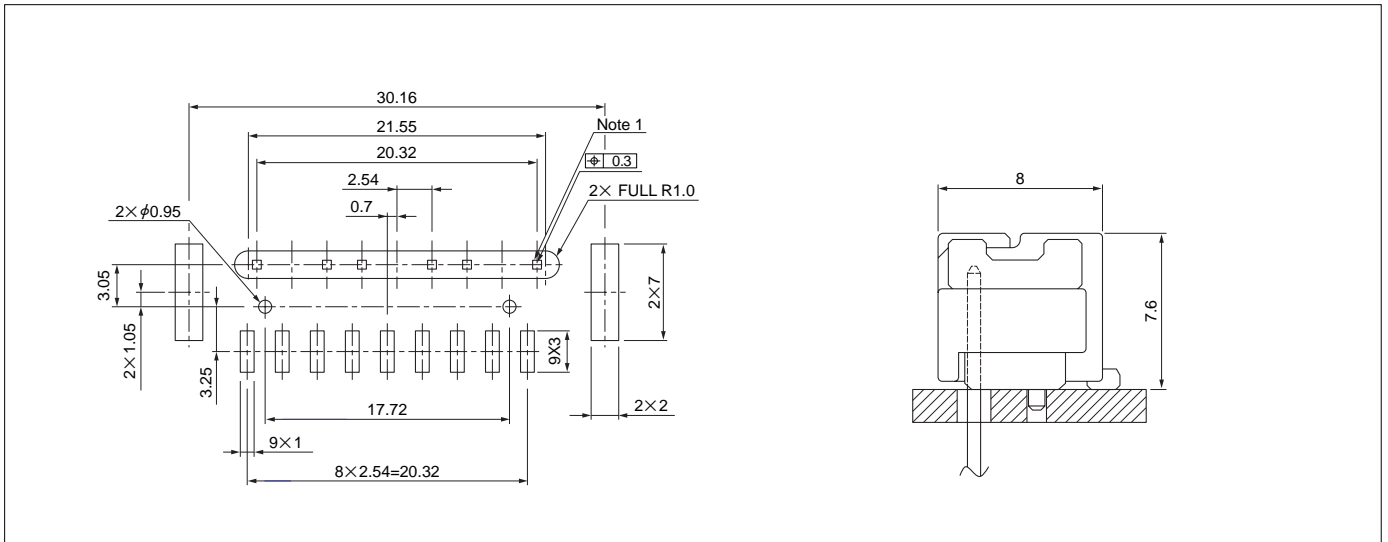


Circuits	Model No.	Q'ty/box	Housing Color
6	09HVD6B-EMGF-NR	2,700	Brown

Material and Finish

Housing: PPS
 Terminal: Copper alloy, tin-plated, selective gold-plated
 Reinforcement: Brass, tin-plated

PC board layout, Assembly layout



- Note: 1. 0.64 pins comply with EWCAP_001. Au plated.
 2. Tolerances are non-cumulative: ± 0.05 mm for all centers (for PC board layout).
 3. Hole dimensions differ according to the type of PC board and piercing method.
 The dimensions above should serve as guideline. Contact JST for details.

X-ON Electronics

Largest Supplier of Electrical and Electronic Components

Click to view similar products for [Automotive Connectors](#) category:

Click to view products by [JST manufacturer](#):

Other Similar products are found below :

[003-018-000](#) [60403001](#) [60993906-B](#) [M902-2131](#) [M902-2161](#) [M902-2344](#) [72.330.1035.1](#) [73.353.4028.0](#) [F119300-B](#) [F166900](#) [F258300-B](#)
[F358300-B](#) [F407400](#) [F444110](#) [F487000](#) [F509500B-B](#) [827153-1](#) [8N1515-32-24P](#) [9-1326729-8](#) [925474-1](#) [928905-1](#) [964562-4](#) [968782-1](#)
[GT17SA-8DS-HU](#) [98891-1012](#) [98947-1016](#) [12004147](#) [12004475-L](#) [12010290](#) [12010309-B](#) [12015454](#) [12020219-B](#) [12041318-B](#) [12052225-](#)
[L](#) [12052466](#) [12064869](#) [12004327-B](#) [12015308](#) [12015384](#) [12015909](#) [1-21030-1](#) [12041254](#) [12041318](#) [12047946-B](#) [12047957](#) [12047957-L](#)
[12059473](#) [12066261](#) [12110546](#) [12110546-B](#)