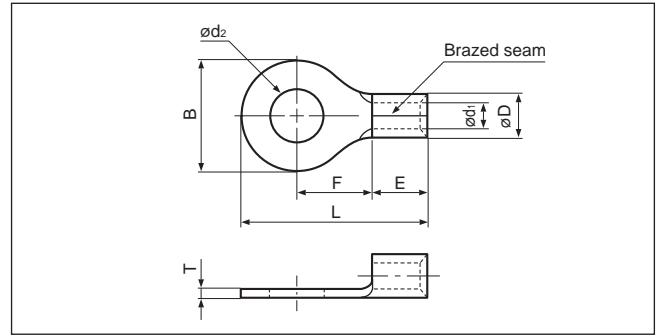


Solderless terminals

# RING TONGUE (R type) Non-insulated



JQ0608019  
 JQID08002  
 JQMY14001  
 JIS C 2805

Certificate No.: E42024 LR20812

JIS

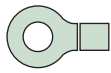
| Applicable Wire<br>AWG# (mm <sup>2</sup> ) | Stud size |         | Part No.  |            | Standard    | Dimensions mm (in.) |              |             |             |               |               |               |               | Tool No.                                      | Qty/box |
|--|-----------|---------|-----------|------------|-------------|---------------------|--------------|-------------|-------------|---------------|---------------|---------------|---------------|---|---------|
|  | American  | Metric  | JST       | JIS        |             | $\phi d_2$          | B            | L           | F           | E             | $\phi D$      | $\phi d_1$    | T             |   |         |
| 26 to 22<br>(0.2 to 0.5)                   | 1-2       | 2       | 0.5-2     |            |             | 2.2 (.087)          | 5.2 (.205)   | 12.4 (.488) | 5.8 (.228)  | 4.0<br>(.157) | 2.0<br>(.079) | 1.0<br>(.039) | 0.5<br>(.020) | YHT-2622<br>YA-1<br>YA-2<br>BCT-0514L         | 1,000   |
|  | 3-4       | 3       | 0.5-3     |            |             | 3.2 (.126)          | 5.2 (.205)   | 12.4 (.488) | 5.8 (.228)  |               |               |               |               |   |         |
|  | 5-6       | 3.5     | 0.5-3.7   |            |             | 3.7 (.146)          | 6.6 (.260)   | 15.0 (.591) | 7.7 (.303)  |               |               |               |               |   |         |
|  | 8         | 4       | 0.5-4     |            |             | 4.3 (.169)          | 6.6 (.260)   | 15.0 (.591) | 7.7 (.303)  |               |               |               |               |   |         |
|  | 10        | 5       | 0.5-5     |            |             | 5.3 (.209)          | 8.0 (.315)   | 15.0 (.591) | 7.0 (.276)  |               |               |               |               |   |         |
| 22 to 16<br>(0.25 to 1.65)                 | 1-2       | 2       | 1.25-2    |            |             | 2.2 (.087)          | 5.5 (.217)   | 11.5 (.453) | 4.0 (.157)  | 4.8<br>(.189) | 3.4<br>(.134) | 1.7<br>(.067) | 0.8<br>(.031) | YHT-2210<br>YA-1<br>YA-2<br>YA-4<br>BCT-0514L | 1,000   |
|  | 3-4       | 3       | 1.25-3    | R1.25-3    |             |                     | 3.2 (.126)   | 5.5 (.217)  | 11.5 (.453) |               |               |               |               |   |         |
|  | 3-4       | 3       | 1.25-MS3  |            |             | 3.2 (.126)          | 5.5 (.217)   | 13.2 (.520) | 5.6 (.220)  |               |               |               |               |   |         |
|  | 3-4       | 3       | 1.25-M3.3 |            |             | 3.2 (.126)          | 6.6 (.260)   | 14.4 (.567) | 6.3 (.248)  |               |               |               |               |   |         |
|  | 3-4       | 3       | 1.25-L3   |            |             | 3.2 (.126)          | 8.0 (.315)   | 15.8 (.622) | 7.0 (.276)  |               |               |               |               |   |         |
|  | 5-6       | 3.5     | 1.25-3.7  |            |             | 3.7 (.146)          | 5.5 (.217)   | 11.5 (.453) | 4.0 (.157)  |               |               |               |               |   |         |
|  | 5-6       | 3.5     | 1.25-P3.5 |            |             | 3.7 (.146)          | 5.5 (.217)   | 13.9 (.547) | 6.3 (.248)  |               |               |               |               |   |         |
|  | 5-6       | 3.5     | 1.25-M3   | R1.25-3.5  |             |                     | 3.7 (.146)   | 6.6 (.260)  | 14.4 (.567) |               |               |               |               |   |         |
|  | 5-6       | 3.5     | 1.25-L3.7 |            |             | 3.7 (.146)          | 8.0 (.315)   | 15.8 (.622) | 7.0 (.276)  |               |               |               |               |   |         |
|  | 8         | 4       | 1.25-M4   |            |             | 4.3 (.169)          | 6.6 (.260)   | 14.4 (.567) | 6.3 (.248)  |               |               |               |               |   |         |
|  | 8         | 4       | 1.25-4    | R1.25-4    |             | 4.3 (.169)          | 8.0 (.315)   | 15.8 (.622) | 7.0 (.276)  |               |               |               |               |   |         |
|  | 8         | 4       | 1.25-4NS  |            |             | 4.3 (.169)          | 9.0 (.354)   | 20.4 (.803) | 11.1 (.437) |               |               |               |               |   |         |
|  | 10        | 5       | 1.25-5    | R1.25-5    |             |                     | 5.3 (.209)   | 8.0 (.315)  | 15.8 (.622) |               |               |               |               |   |         |
|  | 10        | 5       | 1.25-5NS  |            |             | 5.3 (.209)          | 9.0 (.354)   | 20.4 (.803) | 11.1 (.437) |               |               |               |               |   |         |
|  | 10        | 5       | 1.25-L5   |            |             | 5.3 (.209)          | 11.6 (.457)  | 21.7 (.854) | 11.1 (.437) |               |               |               |               |   |         |
|  | 1/4       | 6       | 1.25-6    |            |             | 6.4 (.252)          | 11.6 (.457)  | 21.7 (.854) | 11.1 (.437) |               |               |               |               |   |         |
| 5/16                                       | 8         | 1.25-8  |           | 8.4 (.331) |             | 11.6 (.457)         | 21.7 (.854)  | 11.1 (.437) |             |               |               |               |               |   |         |
| 3/8  | 10        | 1.25-10 |           |            | 10.5 (.413) | 13.6 (.535)         | 25.5 (1.004) | 13.9 (.547) |             |               |               |               |               |   |         |
| 1/2  | 12        | 1.25-12 |           |            | 13.0 (.512) | 19.0 (.748)         | 31.0 (1.220) | 16.7 (.657) |             |               |               |               |               |   |         |
| 16 to 14<br>(1.04 to 2.63)                 | 1-2       | 2       | 2-S2      |            |             | 2.2 (.087)          | 6.4 (.252)   | 12.3 (.484) | 4.3 (.169)  | 4.8<br>(.189) | 4.1<br>(.161) | 2.3<br>(.091) | 0.8<br>(.031) | YHT-2210<br>YA-1<br>YA-2<br>YA-4<br>BCT-0514L | 1,000   |
|  | 3-4       | 3       | 2-MS3     |            |             | 3.2 (.126)          | 5.5 (.217)   | 13.2 (.520) | 5.6 (.220)  |               |               |               |               |   |         |
|  | 3-4       | 3       | 2-S3.3    |            |             | 3.2 (.126)          | 6.4 (.252)   | 12.3 (.484) | 4.3 (.169)  |               |               |               |               |   |         |
|  | 3-4       | 3       | 2-M3.3    |            |             | 3.2 (.126)          | 6.6 (.260)   | 14.4 (.567) | 6.3 (.248)  |               |               |               |               |   |         |
|  | 3-4       | 3       | 2-3       |            |             | 3.2 (.126)          | 8.5 (.335)   | 16.8 (.661) | 7.8 (.307)  |               |               |               |               |   |         |
|  | 5-6       | 3.5     | 2-MS3.5   |            |             | 3.7 (.146)          | 5.5 (.217)   | 13.9 (.547) | 6.3 (.248)  |               |               |               |               |   |         |
|  | 5-6       | 3.5     | 2-S3      |            |             |                     | 3.7 (.146)   | 6.4 (.252)  | 12.3 (.484) |               |               |               |               |   |         |
|  | 5-6       | 3.5     | 2-M3      | R2-3.5     |             | 3.7 (.146)          | 6.6 (.260)   | 14.4 (.567) | 6.3 (.248)  |               |               |               |               |   |         |
|  | 5-6       | 3.5     | 2-P3.5    |            |             | 3.7 (.146)          | 7.0 (.276)   | 16.0 (.630) | 7.7 (.303)  |               |               |               |               |   |         |
|  | 5-6       | 3.5     | 2-3.7     |            |             | 3.7 (.146)          | 8.5 (.335)   | 16.8 (.661) | 7.8 (.307)  |               |               |               |               |   |         |
|  | 8         | 4       | 2-M4      |            |             | 4.3 (.169)          | 6.6 (.260)   | 14.4 (.567) | 6.3 (.248)  |               |               |               |               |   |         |
|  | 8         | 4       | 2-P4      |            |             | 4.3 (.169)          | 7.0 (.276)   | 16.0 (.630) | 7.7 (.303)  |               |               |               |               |   |         |
|  | 8         | 4       | 2-4       | R2-4       |             | 4.3 (.169)          | 8.5 (.335)   | 16.8 (.661) | 7.8 (.307)  |               |               |               |               |   |         |
|  | 8         | 4       | 2-4NS     |            |             | 4.3 (.169)          | 9.0 (.354)   | 20.3 (.799) | 11.0 (.433) |               |               |               |               |   |         |
|  | 10        | 5       | 2-M5      |            |             |                     | 5.3 (.209)   | 8.5 (.335)  | 16.8 (.661) |               |               |               |               |   |         |
|  | 10        | 5       | 2-5NS     |            |             | 5.3 (.209)          | 9.0 (.354)   | 20.3 (.799) | 11.0 (.433) |               |               |               |               |   |         |
| 10   | 5         | 2-5     | R2-5      |            |             | 5.3 (.209)          | 9.5 (.374)   | 16.8 (.661) | 7.3 (.287)  |               |               |               |               |   |         |
| 1/4  | 6         | 2-6     | R2-6      |            | 6.4 (.252)  | 12.0 (.472)         | 21.8 (.858)  | 11.0 (.433) |             |               |               |               |               |   |         |
| 5/16                                       | 8         | 2-8     | R2-8      |            | 8.4 (.331)  | 12.0 (.472)         | 21.8 (.858)  | 11.0 (.433) |             |               |               |               |               |   |         |

Note: 1) Products with the JIS mark conform to JIS C2805.

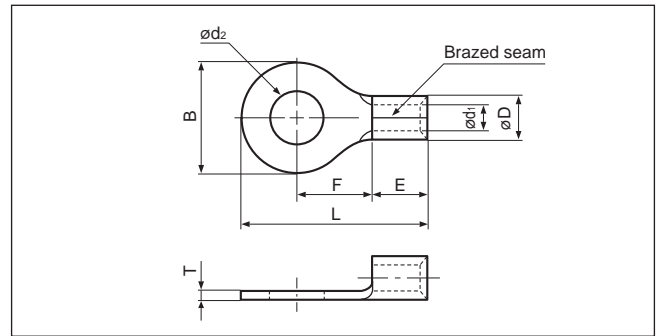
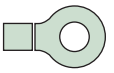
2) The part numbers indicated in the above table are for products with a brazed seam.

When ordering products with a nominal size of 0.5 to 5.5 with a butted seam, add the prefix "WS" to the part number (ex. 2-4 → **WS2-4**).

3) Delivery lead times may vary depending on the product. Contact JST for details.



# RING TONGUE (R type) Non-insulated



| Applicable Wire<br>AWG#(mm <sup>2</sup> ) | Stud size |        | Part No. |           | Standard         | Dimensions mm (in.) |             |             |             |               |               |               |               | Tool No.                                      | Qty/box     |       |
|---|-----------|--------|----------|-----------|------------------|---------------------|-------------|-------------|-------------|---------------|---------------|---------------|---------------|---|-------------|-------|
|   | American  | Metric | JST      | JIS       |                  | $\phi d_2$          | B           | L           | F           | E             | $\phi D$      | $\phi d_1$    | T             |   |             |       |
| 16 to 14<br>(1.04 to<br>2.63)             | 3/8       | 10     | 2-10     |           | UL<br>JIS        | 10.5 (.413)         | 13.6 (.535) | 25.5(1.004) | 13.9 (.547) | 4.8<br>(.189) | 4.1<br>(.161) | 2.3<br>(.091) | 0.8<br>(.031) | YHT-2210<br>YA-1<br>YA-2<br>YA-4<br>BCT-0514L | 1,000       |       |
|   | 1/2       | 12     | 2-12     |           |                  | 13.0 (.512)         | 19.0 (.748) | 31.0(1.220) | 16.7 (.675) |               |               |               |               |   | 500         |       |
|   | 1/2       | 14     | 2-14     |           |                  | 15.0 (.591)         | 27.0(1.063) | 39.5(1.555) | 21.2 (.835) |               |               |               |               |   |             |       |
|   | 5/8       | 16     | 2-16     |           |                  | 17.0 (.669)         | 27.0(1.063) | 39.5(1.555) | 21.2 (.835) |               |               |               |               |   |             |       |
|   | 3/4       | 20     | 2-20     |           |                  | 21.0 (.827)         | 27.0(1.063) | 39.5(1.555) | 21.2 (.835) |               |               |               |               |   |             |       |
| 14 to 12<br>(3.5)                         | 3-4       | 3      | 3.5-R3   |           | UL<br>JIS        | 3.2 (.126)          | 8.0 (.315)  | 17.8 (.707) | 9.0 (.354)  | 4.8<br>(.189) | 4.8<br>(.189) | 2.7<br>(.106) | 1.0<br>(.039) | YHT-2210<br>(Dies mark. 5)<br>BCT-0514L       | 1,000       |       |
|   | 8         | 4      | 3.5-R4   |           |                  | 4.3 (.169)          | 8.0 (.315)  | 17.8 (.707) | 9.0 (.354)  |               |               |               |               |   |             |       |
|   | 8         | 4      | 3.5-4    |           |                  | 4.3 (.169)          | 10.3 (.406) | 18.6 (.732) | 8.6 (.339)  |               |               |               |               |   |             |       |
|   | 10        | 5      | 3.5-R5   |           |                  | 5.3 (.209)          | 8.0 (.315)  | 17.8 (.707) | 9.0 (.354)  |               |               |               |               |   |             |       |
|   | 10        | 5      | 3.5-5    |           |                  | 5.3 (.209)          | 10.3 (.406) | 18.6 (.732) | 8.6 (.339)  |               |               |               |               |   |             |       |
|   | 1/4       | 6      | 3.5-6    |           |                  | 6.4 (.252)          | 10.3 (.406) | 18.6 (.732) | 8.6 (.339)  |               |               |               |               |   |             |       |
| 12 to 10<br>(2.63 to<br>6.64)             | 3-4       | 3      | 5.5-S3.3 |           | UL<br>JIS        | 3.2 (.126)          | 7.2 (.283)  | 15.7 (.618) | 5.9 (.232)  | 6.2 (.244)    | 5.6<br>(.220) | 3.4<br>(.134) | 1.0<br>(.039) | YHT-2210<br>YA-1<br>YA-2<br>YA-4<br>BCT-0514L | 500         |       |
|   | 3-4       | 3      | 5.5-3    |           |                  | 3.2 (.126)          | 9.5 (.374)  | 19.8 (.780) | 8.3 (.327)  |               |               |               |               |   | 6.8 (.268)  |       |
|   | 5-6       | 3.5    | 5.5-S3   |           |                  | 3.7 (.146)          | 7.2 (.283)  | 15.7 (.618) | 5.9 (.232)  |               |               |               |               |   | 6.2 (.244)  |       |
|   | 5-6       | 3.5    | 5.5-3.7  |           |                  | 3.7 (.146)          | 9.5 (.374)  | 19.8 (.780) | 8.3 (.327)  |               |               |               |               |   | 6.8 (.268)  |       |
|   | 8         | 4      | 5.5-S4   |           | UL<br>JIS        | 4.3 (.169)          | 7.2 (.283)  | 15.7 (.618) | 5.9 (.232)  | 6.2 (.244)    | 5.6<br>(.220) | 3.4<br>(.134) | 1.0<br>(.039) | YHT-2210<br>YA-1<br>YA-2<br>YA-4<br>BCT-0514L | 1,000       |       |
|   | 8         | 4      | 5.5-4NS  |           |                  | 4.3 (.169)          | 8.0 (.315)  | 19.1 (.752) | 8.3 (.327)  |               |               |               |               |   | 500         |       |
|   | 8         | 4      | 5.5-4    | R5.5-4    |                  | UL<br>JIS<br>JIS    | 4.3 (.169)  | 9.5 (.374)  | 19.8 (.780) |               |               |               |               |   | 8.3 (.327)  | 500   |
|   | 10        | 5      | 5.5-5NS  |           |                  | UL<br>JIS           | 5.3 (.209)  | 8.0 (.315)  | 19.1 (.752) |               |               |               |               |   | 8.3 (.327)  | 1,000 |
|   | 10        | 5      | 5.5-5    | R5.5-5    | UL<br>JIS<br>JIS | 5.3 (.209)          | 9.5 (.374)  | 19.8 (.780) | 8.3 (.327)  | 500           |               |               |               |   |             |       |
|   | 10        | 5      | 5.5-S5   |           | UL<br>JIS        | 5.3 (.209)          | 13.2 (.520) | 22.4 (.882) | 9.0 (.354)  | 6.8<br>(.268) | 5.6<br>(.220) | 3.4<br>(.134) | 1.0<br>(.039) | YHT-2210<br>YA-1<br>YA-2<br>YA-4<br>BCT-0514L | 500         |       |
|   | 1/4       | 6      | 5.5-6NS  |           |                  | UL<br>JIS           | 6.4 (.252)  | 9.0 (.354)  | 24.3 (.957) |               |               |               |               |   | 13.0 (.512) | 1,000 |
|   | 1/4       | 6      | 5.5-6    | R5.5-6    |                  | UL<br>JIS<br>JIS    | 6.4 (.252)  | 12.0 (.472) | 25.8(1.016) |               |               |               |               |   | 13.0 (.512) | 500   |
|   | 1/4       | 6      | 5.5-S6   |           |                  | UL<br>JIS           | 6.4 (.252)  | 13.2 (.520) | 22.4 (.882) |               |               |               |               |   | 9.0 (.354)  | 200   |
|   | 1/4       | 6      | 5.5-L6   |           | UL<br>JIS        | 6.4 (.252)          | 15.0 (.591) | 28.0(1.102) | 13.7 (.539) | 6.8<br>(.268) | 5.6<br>(.220) | 3.4<br>(.134) | 1.0<br>(.039) | YHT-2210<br>YA-1<br>YA-2<br>YA-4<br>BCT-0514L | 500         |       |
|   | 5/16      | 8      | 5.5-S8   |           |                  | UL<br>JIS           | 8.4 (.331)  | 13.2 (.520) | 22.4 (.882) |               |               |               |               |   | 9.0 (.354)  | 200   |
|   | 5/16      | 8      | 5.5-8    | R5.5-8    |                  | UL<br>JIS<br>JIS    | 8.4 (.331)  | 15.0 (.591) | 28.0(1.102) |               |               |               |               |   | 13.7 (.539) | 500   |
|   | 3/8       | 9      | 5.5-9    |           |                  | UL<br>JIS           | 9.8 (.386)  | 15.0 (.591) | 28.0(1.102) |               |               |               |               |   | 13.7 (.539) | 200   |
|   | 3/8       | 10     | 5.5-10   | R5.5-10   | UL<br>JIS<br>JIS | 10.5 (.413)         | 15.0 (.591) | 28.0(1.102) | 13.7 (.539) | 500           |               |               |               |   |             |       |
|   | 1/2       | 12     | 5.5-12   |           | UL<br>JIS        | 13.0 (.512)         | 19.2 (.756) | 32.4(1.276) | 16.0 (.630) | 6.8<br>(.268) | 5.6<br>(.220) | 3.4<br>(.134) | 1.0<br>(.039) | YHT-2210<br>YA-1<br>YA-2<br>YA-4<br>BCT-0514L | 500         |       |
|   | 1/2       | 14     | 5.5-14   |           |                  | UL<br>JIS           | 15.0 (.591) | 32.0(1.260) | 48.1(1.894) |               |               |               |               |   | 25.3 (.996) | 200   |
| 5/8                                       | 16        | 5.5-16 |          | UL<br>JIS |                  | 17.0 (.669)         | 32.0(1.260) | 48.1(1.894) | 25.3 (.996) |               |               |               |               |   | 500         |       |
| 11/16                                     | 18        | 5.5-18 |          | UL<br>JIS |                  | 19.0 (.748)         | 32.0(1.260) | 48.1(1.894) | 25.3 (.996) |               |               |               |               |   | 200         |       |
| 3/4                                       | 20        | 5.5-20 |          | UL<br>JIS | 21.0 (.827)      | 32.0(1.260)         | 48.1(1.894) | 25.3 (.996) | 500         |               |               |               |               |   |             |       |

Note:1) Products with the JIS mark (JIS) conform to JIS C2805.

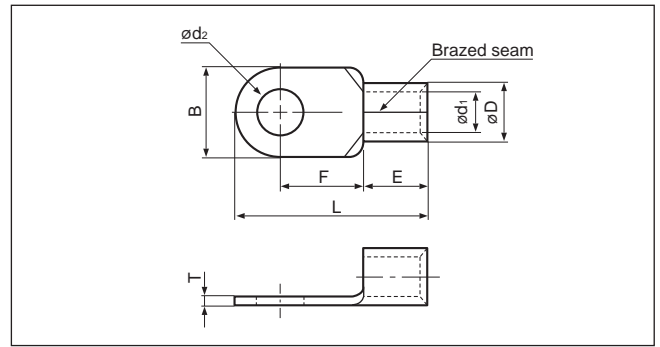
2) The part numbers indicated in the above table are for products with a braided seam.

When ordering products with a nominal size of 0.5 to 5.5 with a butted seam, add the prefix "WS" to the part number (ex.5.5-4 → **WS5.5-4**).

3) Delivery lead times may vary depending on the product. Contact JST for details.

Solderless terminals

**RING TONGUE (R type) Non-insulated**

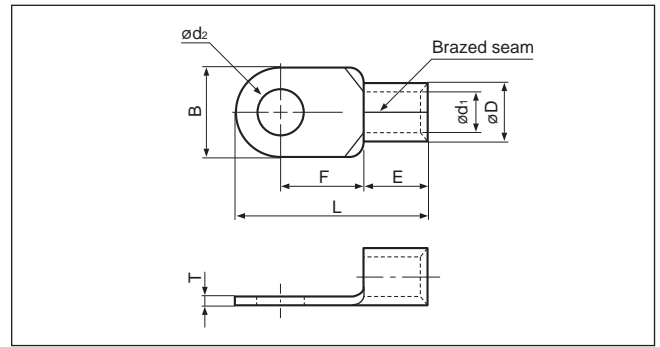


| Applicable Wire<br>AWG#(mm <sup>2</sup> ) | Stud size |        | Part No. |       | Standard    | Dimensions mm (in.) |             |             |             |            |               |               | Tool No.      | Qty/box   |       |
|---|-----------|--------|----------|-------|-------------|---------------------|-------------|-------------|-------------|------------|---------------|---------------|---------------|---|-------|
|   | American  | Metric | JST      | JIS   |             | ødz                 | B           | L           | F           | E          | øD            | ød1           |               |   | T     |
| 8<br>(6.64 to<br>10.52)                   | 8         | 4      | 8-NK4    |       |             | 4.3 (.169)          | 9.0 (.354)  | 16.5 (.650) | 5.8 (.228)  | 6.2 (.244) | 7.1<br>(.280) | 4.5<br>(.177) | 1.2<br>(.047) | YA-4<br>YPT-60N<br>YF-1 YET-60-1<br>E-4<br>EP-1<br>(Note 2)   | 500   |
|   | 8         | 4      | 8-4NS    |       |             | 4.3 (.169)          | 8.0 (.315)  | 21.8 (.858) | 9.3 (.366)  | 8.5 (.335) |               |               |               | YHT-8S<br>YA-4, YA-5<br>YPT-60N<br>YPT-150-1<br>BCT-0514L<br>BCT-860L<br>BCT-8150<br>YF-1 YET-60-1<br>E-4  YET-150-1<br>EP-1 YET-60-1   | 1,000 |
|   | 8         | 4      | 8-4      |       |             | 4.3 (.169)          | 12.0 (.472) | 23.8 (.937) | 9.3 (.366)  | 8.5 (.335) |               |               |               | YA-4<br>YPT-60N<br>YF-1 YET-60-1<br>E-4<br>EP-1<br>(Note 2)   | 500   |
|   | 10        | 5      | 8-NK5    |       |             | 5.3 (.209)          | 9.0 (.354)  | 16.5 (.650) | 5.8 (.228)  | 6.2 (.244) |               |               |               | YHT-8S<br>YA-4<br>YA-5<br>YPT-60N<br>YPT-150-1<br>BCT-0514L<br>BCT-860L<br>BCT-8150<br>YF-1 YET-60-1<br>E-4  YET-150-1<br>EP-1 YET-60-1 | 1,000 |
|   | 10        | 5      | 8-5NS    |       |             | 5.3 (.209)          | 9.0 (.354)  | 22.3 (.878) | 9.3 (.366)  | 8.5 (.335) |               |               |               | 500   |       |
|   | 10        | 5      | 8-5      | R8-5  |             | 5.3 (.209)          | 12.0 (.472) | 23.8 (.937) | 9.3 (.366)  |            |               |               |               | YHT-8S<br>YA-4<br>YA-5<br>YPT-60N<br>YPT-150-1<br>BCT-0514L<br>BCT-860L<br>BCT-8150<br>YF-1 YET-60-1<br>E-4  YET-150-1<br>EP-1 YET-60-1 | 1,000 |
|   | 10        | 5      | 8-L5NS   |       |             | 5.3 (.209)          | 9.0 (.354)  | 26.8(1.055) | 13.8 (.543) |            |               |               |               | 500   |       |
|   | 10        | 5      | 8-L5     |       |             | 5.3 (.209)          | 15.0 (.591) | 29.8(1.173) | 13.8 (.543) |            |               |               |               | 1,000   |       |
|   | 1/4       | 6      | 8-6NS    |       |             | 6.4 (.252)          | 9.6 (.378)  | 22.6 (.890) | 9.3 (.366)  |            |               |               |               | 500   |       |
|   | 1/4       | 6      | 8-6      | R8-6  |             | 6.4 (.252)          | 12.0 (.472) | 23.8 (.937) | 9.3 (.366)  |            |               |               |               | 1,000   |       |
|   | 1/4       | 6      | 8-L6     |       |             | 6.4 (.252)          | 15.0 (.591) | 29.8(1.173) | 13.8 (.543) |            |               |               |               | 500   |       |
|   | 5/16      | 8      | 8-8NS    |       |             | 8.4 (.331)          | 11.5 (.453) | 28.1(1.106) | 13.8 (.543) |            |               |               |               | 1,000   |       |
|   | 5/16      | 8      | 8-8      | R8-8  |             | 8.4 (.331)          | 15.0 (.591) | 29.8(1.173) | 13.8 (.543) |            |               |               |               | 500   |       |
|   | 3/8       | 10     | 8-10     | R8-10 |             | 10.5 (.413)         | 15.0 (.591) | 29.8(1.173) | 13.8 (.543) |            |               |               |               | 1,000   |       |
|   | 3/8       | 10     | 8-L10    |       |             | 10.5 (.413)         | 20.0 (.787) | 33.5(1.319) | 15.0 (.591) |            |               |               |               | 500   |       |
|   | 7/16      | 11     | 8-11     |       |             | 11.5 (.453)         | 20.0 (.787) | 33.5(1.319) | 15.0 (.591) |            |               |               |               | 1,000   |       |
|   | 1/2       | 12     | 8-12     |       |             | 13.0 (.512)         | 20.0 (.787) | 33.5(1.319) | 15.0 (.591) |            |               |               |               | 500   |       |
|   | 1/2       | 14     | 8-14     |       |             | 15.0 (.591)         | 31.6(1.244) | 50.0(1.969) | 25.7(1.012) |            |               |               |               | 1,000   |       |
| 5/8                                       | 16        | 8-16   |          |       | 17.0 (.669) | 31.6(1.244)         | 50.0(1.969) | 25.7(1.012) | 500         |            |               |               |               |   |       |
| 11/16                                     | 18        | 8-18   |          |       | 19.0 (.748) | 31.6(1.244)         | 50.0(1.969) | 25.7(1.012) | 1,000       |            |               |               |               |   |       |
| 3/4                                       | 20        | 8-20   |          |       | 21.0 (.827) | 31.6(1.244)         | 50.0(1.969) | 25.7(1.012) | 200         |            |               |               |               |   |       |

- Note:1) Products with the JIS mark conform to JIS C2805.  
 2) Please use the die AD-901S for the pneumatic tool YA-4, and the die 8NK-6 for the hydraulic tools YPT-60N/YET-60-1.  
 3) Delivery lead times may vary depending on the product. Contact JST for details.

Solderless terminals

**RING TONGUE (R type) Non-insulated**



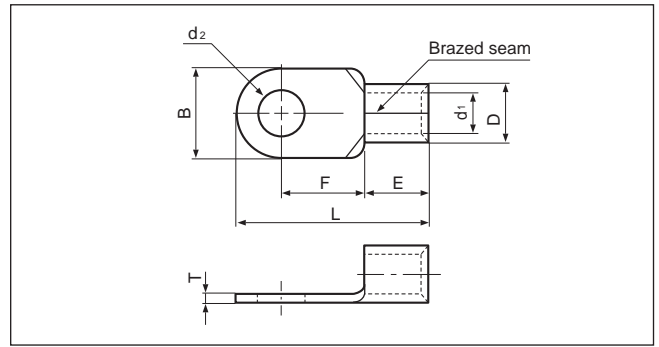
| Applicable Wire<br>AWG#(mm <sup>2</sup> ) | Stud size |        | Part No. |        | Standard    | Dimensions mm (in.) |             |             |             |                |                |                 | Tool No.      | Qty/box   |     |
|---|-----------|--------|----------|--------|-------------|---------------------|-------------|-------------|-------------|----------------|----------------|-----------------|---------------|---|-----|
|   | American  | Metric | JST      | JIS    |             | ød <sub>2</sub>     | B           | L           | F           | E              | øD             | ød <sub>1</sub> |               |   | T   |
| 6<br>(10.52 to 16.78)                     | 8         | 4      | 14-4     |        |             | 4.3 (.169)          | 12.0 (.472) | 29.8(1.173) | 13.3 (.524) | 10.5 (.413)    | 9.0<br>(.354)  | 5.8<br>(.228)   | 1.5<br>(.059) | YA-4<br>YA-5<br>YPT-60N<br>BCT-0514L<br>BCT-860L<br>BCT-8150<br>YF-1 YET-60-1<br>E-4 YET-150-1<br>EP-1 YET-60-1 | 200 |
|   | 8         | 4      | 14-NK4   |        | UL SF       | 4.3 (.169)          | 12.2 (.480) | 23.0 (.906) | 7.7 (.303)  | 9.2 (.362)     |                |                 |               |   |     |
|   | 10        | 5      | 14-5NS   |        |             | 5.3 (.209)          | 9.0 (.354)  | 28.3(1.114) | 13.3 (.524) | 10.5 (.413)    |                |                 |               |   |     |
|   | 10        | 5      |          | R14-5  | UL SF JIS   | 5.3 (.209)          | 12.0 (.472) | 29.8(1.173) | 13.3 (.524) | 10.5 (.413)    |                |                 |               |   |     |
|   | 10        | 5      | 14-NK5   |        | UL SF       | 5.3 (.209)          | 12.2 (.480) | 23.0 (.906) | 7.7 (.303)  | 9.2 (.362)     |                |                 |               |   |     |
|   | 1/4       | 6      | 14-6NS   |        |             | 6.4 (.252)          | 9.6 (.378)  | 28.6(1.126) | 13.3 (.524) | 10.5 (.413)    |                |                 |               |   |     |
|   | 1/4       | 6      | 14-6     | R14-6  | UL SF JIS   | 6.4 (.252)          | 12.0 (.472) | 29.8(1.173) | 13.3 (.524) | 10.5 (.413)    |                |                 |               |   |     |
|   | 1/4       | 6      | 14-L6    |        |             | 6.4 (.252)          | 16.0 (.630) | 32.8(1.291) | 14.5 (.571) | 10.5 (.413)    |                |                 |               |   |     |
|   | 5/16      | 8      | 14-8NS   |        | UL SF       | 8.4 (.331)          | 11.5 (.453) | 30.8(1.213) | 14.5 (.571) | 10.5 (.413)    |                |                 |               |   |     |
|   | 5/16      | 8      | 14-S8    |        |             | 8.4 (.331)          | 12.0 (.472) | 31.0(1.220) | 14.5 (.571) | 10.5 (.413)    |                |                 |               |   |     |
|   | 5/16      | 8      | 14-8     | R14-8  | UL SF JIS   | 8.4 (.331)          | 16.0 (.630) | 32.8(1.291) | 14.5 (.571) | 10.5 (.413)    |                |                 |               |   |     |
|   | 3/8       | 9      | 14-9     |        | UL SF       | 9.8 (.386)          | 16.0 (.630) | 32.8(1.291) | 14.5 (.571) | 10.5 (.413)    |                |                 |               |   |     |
|   | 3/8       | 10     | 14-10    | R14-10 | UL SF JIS   | 10.5 (.413)         | 16.0 (.630) | 32.8(1.291) | 14.5 (.571) | 10.5 (.413)    |                |                 |               |   |     |
|   | 3/8       | 10     | 14-L10   |        | UL SF       | 10.5 (.413)         | 22.0 (.866) | 41.0(1.614) | 19.5 (.739) | 10.5 (.413)    |                |                 |               |   |     |
|   | 7/16      | 11     | 14-11    |        | UL SF       | 11.5 (.453)         | 22.0 (.866) | 41.0(1.614) | 19.5 (.739) | 10.5 (.413)    |                |                 |               |   |     |
|   | 1/2       | 12     | 14-12    | R14-12 | UL SF JIS   | 13.0 (.512)         | 22.0 (.866) | 41.0(1.614) | 19.5 (.739) | 10.5 (.413)    |                |                 |               |   |     |
|   | 1/2       | 14     | 14-14    | R14-14 | UL SF JIS   | 15.0 (.591)         | 30.0(1.181) | 49.0(1.929) | 23.5 (.925) | 10.5 (.413)    |                |                 |               |   |     |
|   | 5/8       | 16     | 14-16    |        |             | 17.0 (.669)         | 31.6(1.244) | 51.5(2.028) | 25.2 (.992) | 10.5 (.413)    |                |                 |               |   |     |
| 11/16                                     | 18        | 14-18  |          | UL SF  | 19.0 (.748) | 31.6(1.244)         | 51.5(2.028) | 25.2 (.992) | 10.5 (.413) |                |                |                 |               |   |     |
| 3/4                                       | 20        | 14-20  |          |        | 21.0 (.827) | 31.6(1.244)         | 51.5(2.028) | 25.2 (.992) | 10.5 (.413) |                |                |                 |               |   |     |
| 4<br>(16.78 to 26.66)                     | 10        | 5      | 22-5NS   |        |             | 5.3 (.209)          | 9.5 (.374)  | 28.7(1.130) | 12.0 (.472) | 12.0<br>(.472) | 11.5<br>(.453) | 7.7<br>(.303)   | 1.8<br>(.071) | YA-5<br>YPT-60N<br>YPT-150-1<br>BCT-860L<br>BCT-8150<br>YF-1 YET-60-1<br>E-4 YET-150-1<br>EP-1 YET-60-1         | 100 |
|   | 10        | 5      | 22-S5    |        | UL SF       | 5.3 (.209)          | 12.0 (.472) | 30.0(1.181) | 12.0 (.472) |                |                |                 |               |   |     |
|   | 10        | 5      | 22-5     |        |             | 5.3 (.209)          | 16.5 (.650) | 33.7(1.327) | 13.5 (.531) |                |                |                 |               |   |     |
|   | 1/4       | 6      | 22-S6    |        |             | 6.4 (.252)          | 12.0 (.472) | 30.0(1.181) | 12.0 (.472) |                |                |                 |               |   |     |
|   | 1/4       | 6      | 22-6     | R22-6  | UL SF JIS   | 6.4 (.252)          | 16.5 (.650) | 33.7(1.327) | 13.5 (.531) |                |                |                 |               |   |     |
|   | 5/16      | 8      | 22-S8    |        | UL SF       | 8.4 (.331)          | 12.0 (.472) | 30.0(1.181) | 12.0 (.472) |                |                |                 |               |   |     |
|   | 5/16      | 8      | 22-8     | R22-8  | UL SF JIS   | 8.4 (.331)          | 16.5 (.650) | 33.7(1.327) | 13.5 (.531) |                |                |                 |               |   |     |
|   | 3/8       | 9      | 22-9     |        | UL SF       | 9.8 (.386)          | 17.5 (.689) | 36.7(1.445) | 16.0 (.630) |                |                |                 |               |   |     |
|   | 3/8       | 10     | 22-S10   |        | UL SF       | 10.5 (.413)         | 16.5 (.650) | 33.7(1.327) | 13.5 (.531) |                |                |                 |               |   |     |
|   | 3/8       | 10     | 22-10    | R22-10 | UL SF JIS   | 10.5 (.413)         | 17.5 (.689) | 36.7(1.445) | 16.0 (.630) |                |                |                 |               |   |     |
|   | 7/16      | 11     | 22-11    |        | UL SF       | 11.5 (.453)         | 22.0 (.866) | 42.5(1.673) | 19.5 (.768) |                |                |                 |               |   |     |
|   | 1/2       | 12     | 22-12    | R22-12 | UL SF JIS   | 13.0 (.512)         | 22.0 (.866) | 42.5(1.673) | 19.5 (.768) |                |                |                 |               |   |     |
|   | 1/2       | 14     |          | R22-14 | UL SF JIS   | 15.0 (.591)         | 30.0(1.181) | 51.5(2.038) | 24.5 (.965) |                |                |                 |               |   |     |
|   | 5/8       | 16     | 22-16    |        |             | 17.0 (.669)         | 30.0(1.181) | 51.5(2.028) | 24.5 (.965) |                |                |                 |               |   |     |
| 11/16                                     | 18        | 22-18  |          | UL SF  | 19.0 (.748) | 30.0(1.181)         | 51.5(2.028) | 24.5 (.965) |             |                |                |                 |               |   |     |
| 3/4                                       | 20        | 22-20  |          |        | 21.0 (.827) | 30.0(1.181)         | 51.5(2.028) | 24.5 (.965) |             |                |                |                 |               |   |     |

Note:1) Products with the JIS mark conform to JIS C2805.

2) Delivery lead times may vary depending on the product. Contact JST for details.

Solderless terminals

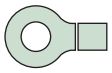
**RING TONGUE (R type) Non-insulated**



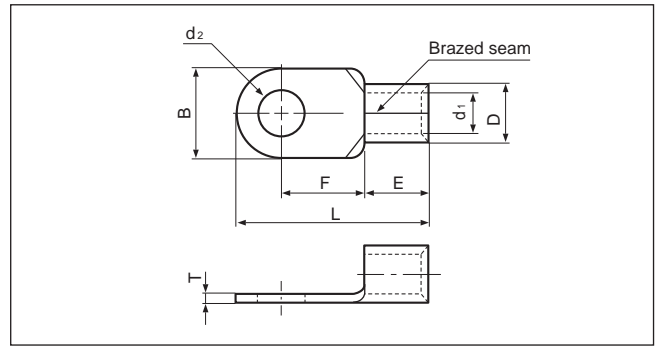
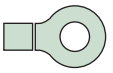
| Applicable Wire<br>AWG#(mm <sup>2</sup> ) | Stud size |        | Part No. |          | Standard    | Dimensions mm (in.) |             |             |             |                |                |                 |               | Tool No.  | Qty/box |
|---|-----------|--------|----------|----------|-------------|---------------------|-------------|-------------|-------------|----------------|----------------|-----------------|---------------|---|---------|
|   | American  | Metric | JST      | JIS      |             | ød <sub>2</sub>     | B           | L           | F           | E              | øD             | ød <sub>1</sub> | T             |   |         |
| 2<br>(26.66 to 42.42)                     | 10        | 5      | 38-S5    |          | UL<br>LF    | 5.3 (.209)          | 15.5 (.610) | 38.0(1.496) | 16.0 (.630) | 14.0<br>(.551) | 13.3<br>(.524) | 9.4<br>(.370)   | 1.8<br>(.071) | YA-5<br>YPT-60N<br>YPT-150-1<br>BCT-860L<br>BCT-8150<br>YF-1<br>E-4<br>EP-1<br>YET-60-1<br>YET-150-1  | 100     |
|   | 10        | 5      | 38-5     |          |             | 5.3 (.209)          | 22.0 (.866) | 42.7(1.681) | 17.7 (.697) |                |                |                 |               |   |         |
|   | 1/4       | 6      | 38-S6    |          |             | 6.4 (.252)          | 15.5 (.610) | 38.0(1.496) | 16.0 (.630) |                |                |                 |               |   |         |
|   | 1/4       | 6      | 38-6     |          |             | 6.4 (.252)          | 22.0 (.866) | 42.7(1.681) | 17.7 (.697) |                |                |                 |               |   |         |
|   | 5/16      | 8      | 38-S8    |          |             | 8.4 (.331)          | 15.5 (.610) | 38.0(1.496) | 16.0 (.630) |                |                |                 |               |   |         |
|   | 5/16      | 8      | 38-8     | R38-8    | UL<br>LF    | 8.4 (.331)          | 22.0 (.866) | 42.7(1.681) | 17.7 (.697) |                |                |                 |               |   |         |
|   | 5/16      | 8      | 38-L8    |          | UL<br>LF    | 8.4 (.331)          | 30.0(1.181) | 52.5(2.067) | 23.5 (.925) |                |                |                 |               |   |         |
|   | 3/8       | 9      | 38-S9    |          | UL<br>LF    | 9.8 (.386)          | 27.0(1.063) | 38.0(1.496) | 16.0 (.630) |                |                |                 |               |   |         |
|   | 3/8       | 10     | 38-S10   |          | UL<br>LF    | 10.5 (.413)         | 15.5 (.610) | 38.0(1.496) | 16.0 (.630) |                |                |                 |               |   |         |
|   | 3/8       | 10     | 38-10    | R38-10   | UL<br>LF    | 10.5 (.413)         | 22.0 (.866) | 42.7(1.681) | 17.7 (.697) |                |                |                 |               |   |         |
|   | 3/8       | 10     | 38-L10   |          | UL<br>LF    | 10.5 (.413)         | 30.0(1.181) | 52.5(2.067) | 23.5 (.925) |                |                |                 |               |   |         |
|   | 7/16      | 11     | 38-11    |          | UL<br>LF    | 11.5 (.453)         | 22.0 (.866) | 42.7(1.681) | 17.7 (.697) |                |                |                 |               |   |         |
|   | 1/2       | 12     | 38-12    | R38-12   | UL<br>LF    | 13.0 (.512)         | 22.0 (.866) | 42.7(1.681) | 17.7 (.697) |                |                |                 |               |   |         |
|   | 1/2       | 14     | 38-14    | R38-14   | UL<br>LF    | 15.0 (.591)         | 30.0(1.181) | 52.5(2.067) | 23.5 (.925) |                |                |                 |               |   |         |
|   | 5/8       | 16     | 38-16    |          | UL<br>LF    | 17.0 (.669)         | 30.0(1.181) | 52.5(2.067) | 23.5 (.925) |                |                |                 |               |   |         |
| 11/16                                     | 18        | 38-18  |          | UL<br>LF | 19.0 (.748) | 30.0(1.181)         | 52.5(2.067) | 23.5 (.925) |             |                |                |                 |               |   |         |
| 3/4                                       | 20        | 38-20  |          | UL<br>LF | 21.0 (.827) | 30.0(1.181)         | 52.5(2.067) | 23.5 (.925) |             |                |                |                 |               |   |         |
| 1/0<br>(42.42 to 60.57)                   | 1/4       | 6      | 60-S6    |          | UL<br>LF    | 6.4 (.252)          | 16.0 (.630) | 46.7(1.839) | 20.7 (.815) | 18.0<br>(.709) | 15.5<br>(.610) | 11.4<br>(.449)  | 2.0<br>(.079) | YA-5<br>YPT-60N<br>YPT-150-1<br>BCT-860L<br>BCT-8150<br>YF-1<br>E-4<br>EP-1<br>YET-60-1<br>YET-150-1<br>YF-1<br>E-4<br>EP-1<br>YET-300-1<br>E-4<br>YET-300N | 50      |
|   | 1/4       | 6      | 60-6     |          | 6.4 (.252)  | 22.0 (.866)         | 49.7(1.957) | 20.7 (.815) |             |                |                |                 |               |   |         |
|   | 5/16      | 8      | 60-S8    |          | 8.4 (.331)  | 16.0 (.630)         | 46.7(1.839) | 20.7 (.815) |             |                |                |                 |               |   |         |
|   | 5/16      | 8      | 60-8     | R60-8    | UL<br>LF    | 8.4 (.331)          | 22.0 (.866) | 49.7(1.957) | 20.7 (.815) |                |                |                 |               |   |         |
|   | 3/8       | 9      | 60-9     |          | UL<br>LF    | 9.8 (.386)          | 22.0 (.866) | 49.7(1.957) | 20.7 (.815) |                |                |                 |               |   |         |
|   | 3/8       | 10     | 60-S10   |          | UL<br>LF    | 10.5 (.413)         | 16.0 (.630) | 46.7(1.839) | 20.7 (.815) |                |                |                 |               |   |         |
|   | 3/8       | 10     | 60-10    | R60-10   | UL<br>LF    | 10.5 (.413)         | 22.0 (.866) | 49.7(1.957) | 20.7 (.815) |                |                |                 |               |   |         |
|   | 7/16      | 11     | 60-11    |          | UL<br>LF    | 11.5 (.453)         | 22.0 (.866) | 49.7(1.957) | 20.7 (.815) |                |                |                 |               |   |         |
|   | 1/2       | 12     | 60-12    | R60-12   | UL<br>LF    | 13.0 (.512)         | 22.0 (.866) | 49.7(1.957) | 20.7 (.815) |                |                |                 |               |   |         |
|   | 1/2       | 14     | 60-14    | R60-14   | UL<br>LF    | 15.0 (.591)         | 32.0(1.260) | 57.5(2.264) | 23.5 (.925) |                |                |                 |               |   |         |
|   | 5/8       | 16     | 60-16    |          | UL<br>LF    | 17.0 (.669)         | 32.0(1.260) | 57.5(2.264) | 23.5 (.925) |                |                |                 |               |   |         |
|   | 11/16     | 18     | 60-18    |          | UL<br>LF    | 19.0 (.748)         | 32.0(1.260) | 57.5(2.264) | 23.5 (.925) |                |                |                 |               |   |         |
|   | 3/4       | 20     | 60-20    |          | UL<br>LF    | 21.0 (.827)         | 32.0(1.260) | 57.5(2.264) | 23.5 (.925) |                |                |                 |               |   |         |
| 7/8                                       | 22        | 60-22  |          | UL<br>LF | 23.0 (.906) | 32.0(1.260)         | 57.5(2.264) | 23.5 (.925) |             |                |                |                 |               |   |         |
| 2/0<br>(60.57 to 76.28)                   | 1/4       | 6      | 70-6     |          | UL<br>LF    | 6.4 (.252)          | 24.0 (.945) | 51.0(2.008) | 20.0 (.787) | 19.0<br>(.748) | 17.5<br>(.689) | 13.3<br>(.524)  | 2.0<br>(.079) | YPT-150-1<br>BCT-8150<br>YF-1<br>E-4<br>EP-1<br>YET-150-1<br>YF-1<br>E-4<br>YET-300-1<br>YET-300N   | 25      |
|   | 5/16      | 8      | 70-8     |          |             | 8.4 (.331)          | 24.0 (.945) | 51.0(2.008) | 20.0 (.787) |                |                |                 |               |   |         |
|   | 3/8       | 9      | 70-9     |          |             | 9.8 (.386)          | 24.0 (.945) | 51.0(2.008) | 20.0 (.787) |                |                |                 |               |   |         |
|   | 3/8       | 10     | 70-10    |          |             | 10.5 (.413)         | 24.0 (.945) | 51.0(2.008) | 20.0 (.787) |                |                |                 |               |   |         |
|   | 7/16      | 11     | 70-11    |          |             | 11.5 (.453)         | 24.0 (.945) | 51.0(2.008) | 20.0 (.787) |                |                |                 |               |   |         |
|   | 1/2       | 12     | 70-12    |          |             | 13.0 (.512)         | 24.0 (.945) | 51.0(2.008) | 20.0 (.787) |                |                |                 |               |   |         |
|   | 1/2       | 14     | 70-14    |          |             | 15.0 (.591)         | 32.0(1.260) | 61.0(2.402) | 26.0(1.024) |                |                |                 |               |   |         |
|   | 5/8       | 16     | 70-16    |          |             | 17.0 (.669)         | 32.0(1.260) | 61.0(2.402) | 26.0(1.024) |                |                |                 |               |   |         |
|   | 11/16     | 18     | 70-18    |          |             | 19.0 (.748)         | 32.0(1.260) | 61.0(2.402) | 26.0(1.024) |                |                |                 |               |   |         |
|   | 3/4       | 20     | 70-20    |          |             | 21.0 (.827)         | 32.0(1.260) | 61.0(2.402) | 26.0(1.024) |                |                |                 |               |   |         |
|   | 7/8       | 22     | 70-22    |          |             | 23.0 (.906)         | 32.0(1.260) | 61.0(2.402) | 26.0(1.024) |                |                |                 |               |   |         |

Note: 1) Products with the JIS mark (㊤) conform to JIS C2805.  
 2) Part numbers containing "S0" do not have stud holes.  
 3) Delivery lead times may vary depending on the product. Contact JST for details.

Solderless terminals



**RING TONGUE (R type) Non-insulated**

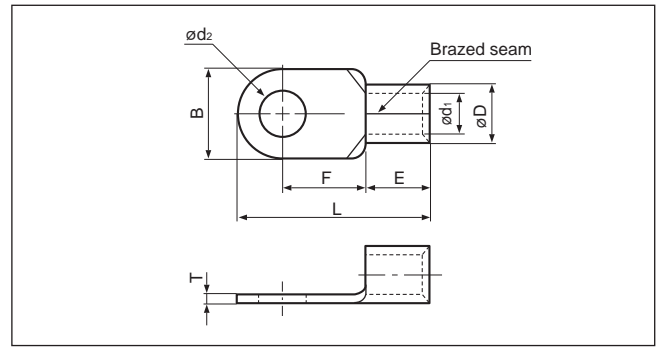


| Applicable Wire<br>AWG# (mm <sup>2</sup> ) | Stud size                 |        | Part No. |             | Standard                         | Dimensions mm (in.) |                                  |             |             |                |                |                 |               | Tool No.  | Qty/box |
|--|---------------------------|--------|----------|-------------|----------------------------------|---------------------|----------------------------------|-------------|-------------|----------------|----------------|-----------------|---------------|---|---------|
|  | American                  | Metric | JST      | JIS         |                                  | ød <sub>2</sub>     | B                                | L           | F           | E              | øD             | ød <sub>1</sub> | T             |   |         |
| 3/0<br>(76.28 to<br>96.3)                  | 1/4                       | 6      | 80-6     |             | UL<br>CSA<br>CISPR<br>IEC<br>JIS | 6.4 (.252)          | 27.0(1.063)                      | 54.2(2.134) | 20.7 (.815) | 20.0<br>(.787) | 19.5<br>(.768) | 14.5<br>(.571)  | 2.3<br>(.091) | YPT-150-1<br>BCT-8150<br>YF-1<br>E-4<br>EP-1<br>YET-150-1<br>YF-1<br>E-4<br>YET-300-1<br>YET-300N | 25      |
|  | 5/16                      | 8      | 80-8     |             |                                  | 8.4 (.331)          | 27.0(1.063)                      | 54.2(2.134) | 20.7 (.815) |                |                |                 |               |   |         |
|  | 5/16                      | 8      | 80-L8    |             |                                  | 8.4 (.331)          | 32.0(1.260)                      | 68.0(2.677) | 32.0(1.260) |                |                |                 |               |   |         |
|  | 3/8                       | 10     | 80-10    |             |                                  | 10.5 (.413)         | 27.0(1.063)                      | 54.2(2.134) | 20.7 (.815) |                |                |                 |               |   |         |
|  | 3/8                       | 10     | 80-L10   |             |                                  | 10.5 (.413)         | 32.0(1.260)                      | 68.0(2.677) | 32.0(1.260) |                |                |                 |               |   |         |
|  | 7/16                      | 11     | 80-11    |             |                                  | 11.5 (.453)         | 27.0(1.063)                      | 54.2(2.134) | 20.7 (.815) |                |                |                 |               |   |         |
|  | 1/2                       | 12     | 80-12    |             |                                  | 13.0 (.512)         | 27.0(1.063)                      | 54.2(2.134) | 20.7 (.815) |                |                |                 |               |   |         |
|  | 1/2                       | 12     | 80-L12   |             |                                  | 13.0 (.512)         | 32.0(1.260)                      | 68.0(2.677) | 32.0(1.260) |                |                |                 |               |   |         |
|  | 1/2                       | 14     | 80-14    |             |                                  | 15.0 (.591)         | 32.0(1.260)                      | 68.0(2.677) | 32.0(1.260) |                |                |                 |               |   |         |
|  | 5/8                       | 16     | 80-16    |             |                                  | 17.0 (.669)         | 32.0(1.260)                      | 68.0(2.677) | 32.0(1.260) |                |                |                 |               |   |         |
|  | 11/16                     | 18     | 80-18    |             |                                  | 19.0 (.748)         | 32.0(1.260)                      | 68.0(2.677) | 32.0(1.260) |                |                |                 |               |   |         |
|  | 3/4                       | 20     | 80-20    |             |                                  | 21.0 (.827)         | 32.0(1.260)                      | 68.0(2.677) | 32.0(1.260) |                |                |                 |               |   |         |
|  | 4/0<br>(96.3 to<br>117.2) | 1/4    | 6        | 100-6       |                                  |                     | UL<br>CSA<br>CISPR<br>IEC<br>JIS | 6.4 (.252)  | 28.5(1.122) |                |                |                 |               |   |         |
| 5/16                                       |                           | 8      | 100-8    |             | 8.4 (.331)                       | 28.5(1.122)         |                                  | 55.6(2.189) | 20.4 (.803) |                |                |                 |               |   |         |
| 5/16                                       |                           | 8      | 100-L8   |             | 8.4 (.331)                       | 32.0(1.260)         |                                  | 69.0(2.717) | 32.0(1.260) |                |                |                 |               |   |         |
| 3/8  |                           | 9      | 100-9    |             | 9.8 (.386)                       | 28.5(1.122)         |                                  | 55.6(2.189) | 20.4 (.803) |                |                |                 |               |   |         |
| 3/8  |                           | 10     | 100-10   | R100-10     | 10.5 (.413)                      | 28.5(1.122)         |                                  | 55.6(2.189) | 20.4 (.803) |                |                |                 |               |   |         |
| 3/8  |                           | 10     | 100-L10  |             | 10.5 (.413)                      | 32.0(1.260)         |                                  | 69.0(2.717) | 32.0(1.260) |                |                |                 |               |   |         |
| 1/2  |                           | 12     | 100-12   | R100-12     | 13.0 (.512)                      | 28.5(1.122)         |                                  | 55.6(2.189) | 20.4 (.803) |                |                |                 |               |   |         |
| 1/2  |                           | 12     | 100-L12  |             | 13.0 (.512)                      | 32.0(1.260)         |                                  | 69.0(2.717) | 32.0(1.260) |                |                |                 |               |   |         |
| 1/2  |                           | 14     | 100-14   | R100-14     | 15.0 (.591)                      | 32.0(1.260)         |                                  | 69.0(2.717) | 32.0(1.260) |                |                |                 |               |   |         |
| 5/8  |                           | 16     | 100-16   | R100-16     | 17.0 (.669)                      | 32.0(1.260)         |                                  | 69.0(2.717) | 32.0(1.260) |                |                |                 |               |   |         |
| 7/8  | 22                        | 100-22 |          | 23.0 (.906) | 32.0(1.260)                      | 69.0(2.717)         | 32.0(1.260)                      |             |             |                |                |                 |               |   |         |

Note: 1) Products with the JIS mark (JIS) conform to JIS C2805.  
 2) Part numbers containing "S0" or "L0" do not have stud holes.

Solderless terminals

**RING TONGUE (R type) Non-insulated**



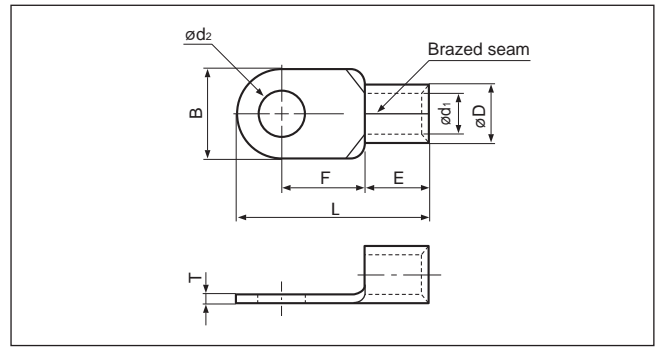
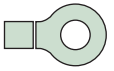
| Applicable Wire<br>AWG#(mm <sup>2</sup> ) | Stud size |        | Part No. | Standard    | Dimensions mm (in.) |             |             |             |              |              |             |            | Tool No. | Qty/box   |    |
|---|-----------|--------|----------|-------------|---------------------|-------------|-------------|-------------|--------------|--------------|-------------|------------|----------|---|----|
|   | American  | Metric |          |             | ød2                 | B           | L           | F           | E            | øD           | ød1         | T          |          |   |    |
| 250/300<br>(117.2 to<br>152.05)           | -         | -      | 150-L0   |             | -                   | 36.0(1.417) | 81.0(3.189) | 36.0(1.417) |              |              |             |            |          |   |    |
|   | 1/4       | 6      | 150-6    | UL SF       | 6.4 (.252)          | 36.0(1.417) | 66.0(2.600) | 23.0 (.906) |              |              |             |            |          |   |    |
|   | 5/16      | 8      | 150-8    | UL SF       | 8.4 (.331)          | 36.0(1.417) | 66.0(2.600) | 23.0 (.906) |              |              |             |            |          |   |    |
|   | 5/16      | 8      | 150-L8   |             | 8.4 (.331)          | 36.0(1.417) | 81.0(3.189) | 36.0(1.417) |              |              |             |            |          |   |    |
|   | 3/8       | 10     | R150-10  | UL SF JIS   | 10.5 (.413)         | 36.0(1.417) | 66.0(2.600) | 21.0 (.827) |              |              |             |            |          |   |    |
|   | 3/8       | 10     | 150-10   | UL SF       | 10.5 (.413)         | 36.0(1.417) | 66.0(2.600) | 23.0 (.906) |              |              |             |            |          |   |    |
|   | 3/8       | 10     | 150-L10  | UL SF       | 10.5 (.413)         | 36.0(1.417) | 81.0(3.189) | 36.0(1.417) |              |              |             |            |          |   |    |
|   | 7/16      | 11     | 150-11   |             | 11.5 (.453)         | 36.0(1.417) | 66.0(2.600) | 23.0 (.906) |              |              |             |            |          |   |    |
|   | 1/2       | 12     | R150-12  | UL SF JIS   | 13.0 (.512)         | 36.0(1.417) | 66.0(2.600) | 21.0 (.827) |              |              |             |            |          |   |    |
|   | 1/2       | 12     | 150-12   | UL SF       | 13.0 (.512)         | 36.0(1.417) | 66.0(2.600) | 23.0 (.906) |              |              |             |            |          |   |    |
|   | 1/2       | 12     | 150-L12  | UL SF       | 13.0 (.512)         | 36.0(1.417) | 81.0(3.189) | 36.0(1.417) | 27.0 (1.063) | 26.5 (1.043) | 19.5 (.768) | 3.2 (.126) |          | YPT-150-1<br>BCT-8150<br>YF-1<br>E-4<br>YET-150-1<br>EP-1 | 20 |
|   | 1/2       | 14     | R150-14  | UL SF JIS   | 15.0 (.591)         | 36.0(1.417) | 68.0(2.677) | 23.0 (.906) |              |              |             |            |          |   |    |
|   | 5/8       | 16     | 150-16   | UL SF       | 17.0 (.669)         | 36.0(1.417) | 66.0(2.600) | 23.0 (.906) |              |              |             |            |          |   |    |
|   | 5/8       | 16     | R150-16  | UL SF JIS   | 17.0 (.669)         | 36.0(1.417) | 68.0(2.677) | 23.0 (.906) |              |              |             |            |          |   |    |
|   | 5/8       | 16     | 150-L16  | UL SF       | 17.0 (.669)         | 36.0(1.417) | 81.0(3.189) | 36.0(1.417) |              |              |             |            |          |   |    |
|   | 11/16     | 18     | R150-18  | UL SF JIS   | 19.0 (.748)         | 36.0(1.417) | 81.0(3.189) | 36.0(1.417) |              |              |             |            |          |   |    |
|   | 3/4       | 20     | R150-20  | UL SF JIS   | 21.0 (.827)         | 36.0(1.417) | 81.0(3.189) | 36.0(1.417) |              |              |             |            |          |   |    |
|   | 7/8       | 22     | 150-22   |             | 23.0 (.906)         | 36.0(1.417) | 81.0(3.189) | 36.0(1.417) |              |              |             |            |          |   |    |
| 15/16                                     | 24        | 150-24 | UL SF    | 25.0 (.984) | 36.0(1.417)         | 81.0(3.189) | 36.0(1.417) |             |              |              |             |            |          |   |    |
| 1   | 27        | 150-27 |          | 28.0(1.102) | 36.0(1.417)         | 81.0(3.189) | 36.0(1.417) |             |              |              |             |            |          |   |    |
| 350<br>(152.05 to<br>192.60)              | 5/16      | 8      | 180-8    |             | 8.4 (.331)          | 38.5(1.516) | 69.0(2.717) | 24.5 (.965) |              |              |             |            |          |   |    |
|   | 5/16      | 8      | 180-L8   |             | 8.4 (.331)          | 38.5(1.516) | 86.8(3.417) | 39.0(1.535) |              |              |             |            |          |   |    |
|   | 3/8       | 10     | 180-10   |             | 10.5 (.413)         | 38.5(1.516) | 69.0(2.717) | 24.5 (.965) |              |              |             |            |          |   |    |
|   | 3/8       | 10     | 180-L10  |             | 10.5 (.413)         | 38.5(1.516) | 86.8(3.417) | 39.0(1.535) |              |              |             |            |          |   |    |
|   | 7/16      | 11     | 180-11   |             | 1.5 (.453)          | 38.5(1.516) | 69.0(2.717) | 24.5 (.965) |              |              |             |            |          |   |    |
|   | 1/2       | 12     | 180-12   |             | 13.0 (.512)         | 38.5(1.516) | 69.0(2.717) | 24.5 (.965) |              |              |             |            |          |   |    |
|   | 1/2       | 12     | 180-L12  |             | 13.0 (.512)         | 38.5(1.516) | 86.8(3.417) | 39.0(1.535) |              |              |             |            |          |   |    |
|   | 1/2       | 14     | 180-14   | UL SF       | 15.0 (.591)         | 38.5(1.516) | 69.0(2.717) | 24.5 (.965) | 28.5 (1.122) | 28.5 (1.122) | 21.0 (.827) | 3.5 (.138) |          | YF-1<br>E-4<br>YET-300-1<br>E-4<br>YET-300N               | 20 |
|   | 5/8       | 16     | 180-L16  |             | 17.0 (.669)         | 38.5(1.516) | 86.8(3.417) | 39.0(1.535) |              |              |             |            |          |   |    |
|   | 5/8       | 16     | 180-16   |             | 17.0 (.669)         | 38.5(1.516) | 69.0(2.717) | 24.5 (.965) |              |              |             |            |          |   |    |
|   | 11/16     | 18     | 180-18   |             | 19.0 (.748)         | 38.5(1.516) | 86.8(3.417) | 39.0(1.535) |              |              |             |            |          |   |    |
|   | 3/4       | 20     | 180-20   |             | 21.0 (.827)         | 38.5(1.516) | 86.8(3.417) | 39.0(1.535) |              |              |             |            |          |   |    |
|   | 7/8       | 22     | 180-22   |             | 23.0 (.906)         | 38.5(1.516) | 86.8(3.417) | 39.0(1.535) |              |              |             |            |          |   |    |
|   | 15/16     | 24     | 180-24   |             | 25.0 (.984)         | 38.5(1.516) | 86.8(3.417) | 39.0(1.535) |              |              |             |            |          |   |    |
|   | 1         | 27     | 180-27   |             | 28.0 (1.102)        | 38.5(1.516) | 86.8(3.417) | 39.0(1.535) |              |              |             |            |          |   |    |

Note: 1) Products with the JIS mark conform to JIS C2805.  
 2) Part numbers containing "S0" or "L0" do not have stud holes.  
 3) Delivery lead times may vary depending on the product. Contact JST for details.

Solderless terminals



**RING TONGUE (R type) Non-insulated**



| Applicable Wire<br>AWG#(mm <sup>2</sup> ) | Stud size |         | Part No. | Standard    | Dimensions mm (in.) |              |              |             |                 |                 |                   | Tool No.      | Qty/box                        |    |
|---|-----------|---------|----------|-------------|---------------------|--------------|--------------|-------------|-----------------|-----------------|-------------------|---------------|--------------------------------|----|
|   | American  | Metric  |          |             | $\varnothing d_2$   | B            | L            | F           | E               | $\varnothing D$ | $\varnothing d_1$ |               |                                | T  |
| 400<br>(192.60 to<br>242.27)              | -         | -       | 200-L0   |             | -                   | 44.0(1.732)  | 91.0(3.583)  | 37.5(1.476) | 31.5<br>(1.240) | 32.7<br>(1.287) | 24.0<br>(.945)    | 4.0<br>(.157) | YF-1 YET-300-1<br>E-4 YET-300N | 10 |
|   | 12/16     | 8       | 200-8    |             | 8.4 (.331)          | 44.0(1.732)  | 72.0(2.835)  | 24.5 (.965) |                 |                 |                   |               |                                |    |
|   | 5/16      | 8       | 200-L8   |             | 8.4 (.331)          | 44.0(1.732)  | 72.0(2.835)  | 24.5 (.965) |                 |                 |                   |               |                                |    |
|   | 3/8       | 10      | 200-10   | UL SF       | 10.5 (.413)         | 44.0(1.732)  | 72.0(2.835)  | 24.5 (.965) |                 |                 |                   |               |                                |    |
|   | 3/8       | 10      | 200-L10  |             | 10.5 (.413)         | 44.0(1.732)  | 91.0(3.583)  | 37.5(1.476) |                 |                 |                   |               |                                |    |
|   | 7/16      | 11      | 200-11   |             | 11.5 (.453)         | 44.0(1.732)  | 72.0(2.835)  | 24.5 (.965) |                 |                 |                   |               |                                |    |
|   | 1/2       | 12      | 200-12   |             | 13.0 (.512)         | 44.0(1.732)  | 72.0(2.835)  | 24.5 (.965) |                 |                 |                   |               |                                |    |
|   | 1/2       | 12      | R200-12  | UL SF JIS   | 13.0 (.512)         | 44.0(1.732)  | 78.0(3.071)  | 24.5 (.965) |                 |                 |                   |               |                                |    |
|   | 1/2       | 12      | 200-L12  |             | 13.0 (.512)         | 44.0(1.732)  | 91.0(3.583)  | 37.5(1.476) |                 |                 |                   |               |                                |    |
|   | 1/2       | 14      | 200-14   | UL SF       | 15.0 (.591)         | 44.0(1.732)  | 72.0(2.835)  | 24.5 (.965) |                 |                 |                   |               |                                |    |
|   | 1/2       | 14      | R200-14  | UL SF JIS   | 15.0 (.591)         | 44.0(1.732)  | 78.0(3.071)  | 24.5 (.965) |                 |                 |                   |               |                                |    |
|   | 5/8       | 16      | 200-16   | UL SF       | 17.0 (.669)         | 44.0(1.732)  | 72.0(2.835)  | 24.5 (.965) |                 |                 |                   |               |                                |    |
|   | 5/8       | 16      | R200-16  | UL SF JIS   | 17.0 (.669)         | 44.0(1.732)  | 78.0(3.071)  | 24.5 (.965) |                 |                 |                   |               |                                |    |
|   | 5/8       | 16      | 200-L16  | UL SF       | 17.0 (.669)         | 44.0(1.732)  | 91.0(3.583)  | 37.5(1.476) |                 |                 |                   |               |                                |    |
|   | 11/16     | 18      | R200-18  |             | 19.0 (.748)         | 44.0(1.732)  | 91.0(3.583)  | 37.5(1.476) |                 |                 |                   |               |                                |    |
|   | 3/4       | 20      | R200-20  |             | 21.0 (.827)         | 44.0(1.732)  | 91.0(3.583)  | 37.5(1.476) |                 |                 |                   |               |                                |    |
|   | 7/8       | 22      | R200-22  | UL SF JIS   | 23.0 (.906)         | 44.0(1.732)  | 91.0(3.583)  | 37.5(1.476) |                 |                 |                   |               |                                |    |
| 15/16                                     | 24        | R200-24 |          | 25.0 (.984) | 44.0(1.732)         | 91.0(3.583)  | 37.5(1.476)  |             |                 |                 |                   |               |                                |    |
| 1   | 27        | R200-27 |          | 28.0(1.102) | 44.0(1.732)         | 91.0(3.583)  | 37.5(1.476)  |             |                 |                 |                   |               |                                |    |
| N.A.<br>(250)                             | 1/2       | 12      | 250-12   |             | 13.0 (.512)         | 44.0(1.732)  | 78.0(3.071)  | 24.5 (.965) | 31.5<br>(1.240) | 35.6<br>(1.402) | 26.0<br>(1.024)   | 4.5<br>(.177) | YF-1 YET-300-1<br>E-4 YET-300N |    |
|   | 1/2       | 14      | 250-14   |             | 15.0 (.591)         |              |              |             |                 |                 |                   |               |                                |    |
|   | 5/8       | 16      | 250-16   |             | 17.0 (.669)         |              |              |             |                 |                 |                   |               |                                |    |
| 600/650<br>(242.27 to<br>325)             | -         | -       | 325-L0   |             | -                   | 50.5(1.988)  | 105.7(4.161) | 45.0(1.772) | 35.5<br>(1.398) | 37.6<br>(1.480) | 28.0<br>(1.102)   | 4.5<br>(.177) | YF-1 YET-300-1<br>E-4 YET-300N | 5  |
|   | 12/16     | 8       | 325-8    |             | 8.4 (.331)          | 50.5(1.988)  | 88.0(3.465)  | 33.5(1.319) |                 |                 |                   |               |                                |    |
|   | 5/16      | 8       | 325-L8   |             | 8.4 (.331)          | 50.5(1.988)  | 105.7(4.161) | 45.0(1.772) |                 |                 |                   |               |                                |    |
|   | 3/8       | 10      | 325-10   |             | 10.5 (.413)         | 50.5(1.988)  | 88.0(3.465)  | 33.5(1.319) |                 |                 |                   |               |                                |    |
|   | 3/8       | 10      | 325-L10  |             | 10.5 (.413)         | 50.5(1.988)  | 105.7(4.161) | 45.0(1.772) |                 |                 |                   |               |                                |    |
|   | 7/16      | 11      | 325-11   | UL SF       | 11.5 (.453)         | 50.5(1.988)  | 88.0(3.465)  | 33.5(1.319) |                 |                 |                   |               |                                |    |
|   | 1/2       | 12      | 325-12   |             | 13.0 (.512)         | 50.5(1.988)  | 88.0(3.465)  | 33.5(1.319) |                 |                 |                   |               |                                |    |
|   | 1/2       | 12      | 325-L12  |             | 13.0 (.512)         | 50.5(1.988)  | 105.7(4.161) | 45.0(1.772) |                 |                 |                   |               |                                |    |
|   | 1/2       | 14      | 325-14   |             | 15.0 (.591)         | 50.5(1.988)  | 88.0(3.465)  | 33.5(1.319) |                 |                 |                   |               |                                |    |
|   | 5/8       | 16      | 325-16   |             | 17.0 (.669)         | 50.5(1.988)  | 88.0(3.465)  | 33.5(1.319) |                 |                 |                   |               |                                |    |
|   | 5/8       | 16      | R325-16  | UL SF JIS   | 17.0 (.669)         | 50.5(1.988)  | 94.2(3.709)  | 33.5(1.319) |                 |                 |                   |               |                                |    |
|   | 5/8       | 16      | 325-L16  | UL SF       | 17.0 (.669)         | 50.5(1.988)  | 105.7(4.161) | 45.0(1.772) |                 |                 |                   |               |                                |    |
|   | 11/16     | 18      | 325-M18  | UL SF       | 19.0 (.748)         | 50.5(1.988)  | 94.2(3.709)  | 33.5(1.319) |                 |                 |                   |               |                                |    |
|   | 11/16     | 18      | R325-18  |             | 19.0 (.748)         | 50.5(1.988)  | 105.7(4.161) | 45.0(1.772) |                 |                 |                   |               |                                |    |
|   | 3/4       | 20      | R325-20  |             | 21.0 (.827)         | 50.5(1.988)  | 105.7(4.161) | 45.0(1.772) |                 |                 |                   |               |                                |    |
|   | 7/8       | 22      | R325-22  | UL SF JIS   | 23.0 (.906)         | 50.5(1.988)  | 105.7(4.161) | 45.0(1.772) |                 |                 |                   |               |                                |    |
|   | 15/16     | 24      | R325-24  |             | 25.0 (.984)         | 50.5(1.988)  | 105.7(4.161) | 45.0(1.772) |                 |                 |                   |               |                                |    |
| 1   | 27        | R325-27 |          | 28.0(1.102) | 50.5(1.988)         | 105.7(4.161) | 45.0(1.772)  |             |                 |                 |                   |               |                                |    |

Note: 1) Products with the JIS mark conform to JIS C2805.  
 2) Part numbers containing "S0" or "L0" do not have stud holes.  
 3) Delivery lead times may vary depending on the product. Contact JST for details.



## X-ON Electronics

Largest Supplier of Electrical and Electronic Components

*Click to view similar products for [Automotive Connectors](#) category:*

*Click to view products by [JST manufacturer](#):*

Other Similar products are found below :

[003-018-000](#) [60993906-B](#) [72.330.1035.1](#) [776880-1](#) [827153-1](#) [9-1326729-8](#) [9-221607-5](#) [925474-1](#) [928905-1](#) [964562-4](#) [968782-1](#) [12004468](#)  
[12004475-L](#) [12004483](#) [12052466](#) [12066163](#) [12015909](#) [12077753](#) [1-21030-1](#) [12047957](#) [12047958](#) [12185550](#) [12336-12](#) [1-326211-1](#)  
[13681974](#) [13688972](#) [13755420](#) [13779834](#) [13783086](#) [13843152](#) [13522378](#) [13581967](#) [13669624](#) [13675513](#) [13753471](#) [13946876](#) [13955963](#)  
[13964573](#) [13971791](#) [13790534-L](#) [13797473](#) [13805590](#) [13888202](#) [13969981](#) [1428188-1](#) [1437287-3](#) [1428188-2](#) [DS07-19S-5020](#) [1456983-5](#)  
[1456987-7](#)