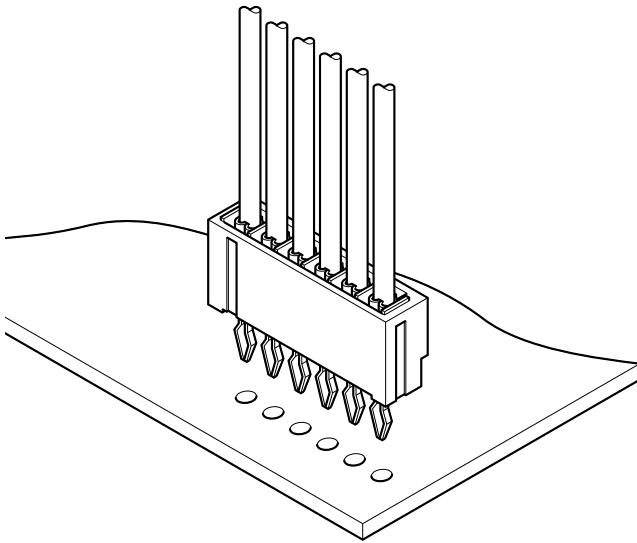


SAN CONNECTOR

2.0 mm pitch/Board-in Crimp style connectors



Measuring 2.0 mm in pitch, 6.0 mm in mounting height, and 3.25 mm in thickness, this board-in connector meets the needs for high-density mounting on printed circuit boards efficiently and economically. The connector is ideal for VCRs, car stereo systems, audio products and many other consumer oriented electronic products.

- Compact
- Housing lances
- Easy mounting onto printed circuit boards
- Two types of contacts

Specifications

- Current rating: 2 A AC/DC (AWG #24)
- Voltage rating: 250 V AC/DC
- Temperature range: -25°C to +85°C
(including temperature rise in applying electrical current)
- Insulation resistance: 1,000 MΩ min.
- Withstanding voltage: 800 VAC/minute
- Applicable wire: AWG #30 to #24
- Applicable PC board thickness:
 - Type A contact: 1.2 mm, 1.6 mm
 - Type B contact: 1.6 mm

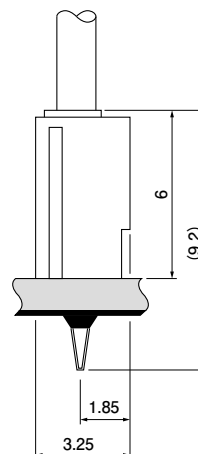
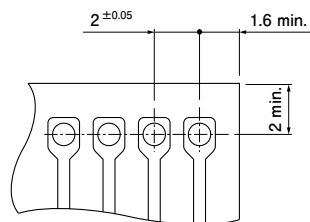
* In using the products, refer to "Handling Precautions for Terminals and Connectors" described on our website (Technical documents of Product information page).

- * RoHS2 compliance
- * Dimensional unit: mm
- * Contact JST for details.

Standards

- Ⓜ Recognized E60389
- Ⓢ Certified LR20812

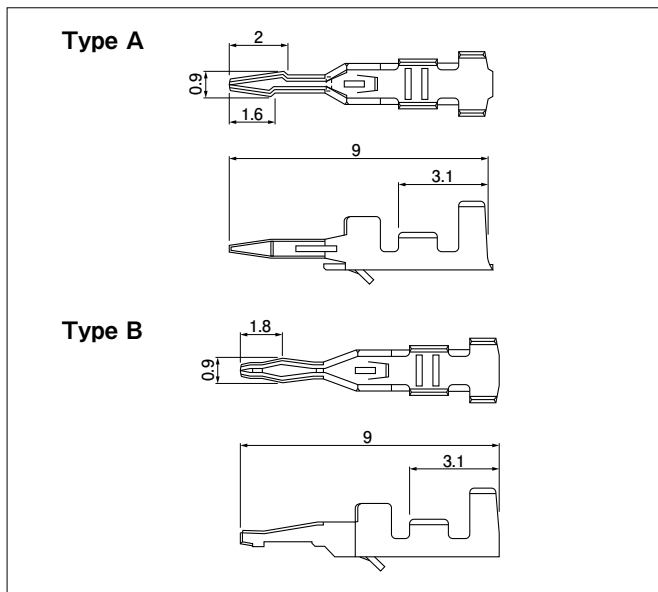
PC board layout and Assembly layout



- Note: 1. The above figure is the figure viewed from soldering side.
 2. Tolerances are non-cumulative: ± 0.05 mm for all centers.
 *Type A 0.8^{+0.1}_{-0.05} dia.
 *Type B 2 to 7 circuits: 0.75 ± 0.05 dia.
 8 to 15 circuits: 0.85 ± 0.05 dia.
 3. Hole dimensions differ according to the type of PC board and piercing method.
 The dimensions above should serve as a guideline. Contact JST for details.

SAN CONNECTOR

Contact



| Model No. | Type | Applicable wire | | Insulation O.D. (mm) | Q'ty/reel |
|---------------|------|-----------------|-------|----------------------|-----------|
| | | mm ² | AWG # | | |
| SAN-002T-0.8A | A | 0.05~0.22 | 30~24 | 0.9~1.3 | 14,000 |
| SAN-002T-0.8K | B | | | | |

Material and Finish

Brass, tin-plated (reflow treatment)

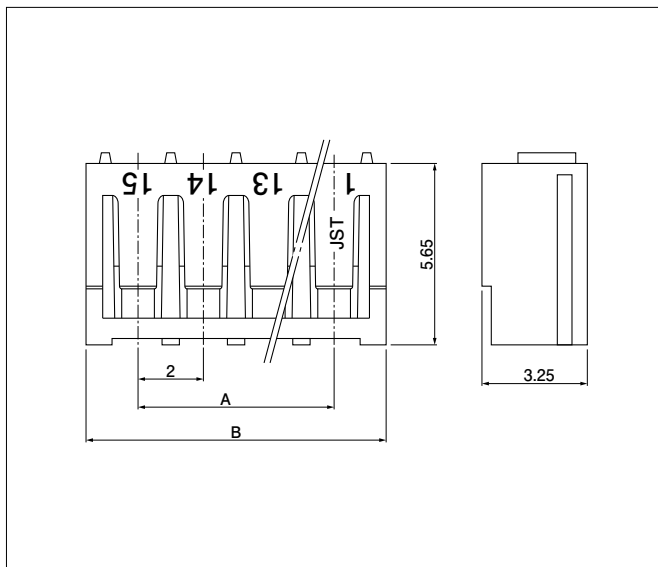
RoHS2 compliance

Note: Contact JST if you require shielded wires, thin wires or other special wires.

| Contact | Crimping machine | Applicator | | |
|---------------|------------------|------------------|---------------|----------------------------|
| | | Crimp applicator | Dies | Crimp applicator with dies |
| SAN-002T-0.8A | AP-K2N | MKS-L | MK/SAN-002-08 | APLMK SAN002-08 |
| SAN-002T-0.8K | | | | |

Note: Contact JST for fully automatic crimping applicator.

Housing



| No. of circuits | Model No. | Dimensions (mm) | | Q'ty/bag |
|-----------------|-----------|-----------------|------|----------|
| | | A | B | |
| 2 | 2P-SAN | 2.0 | 5.2 | 1,000 |
| 3 | 3P-SAN | 4.0 | 7.2 | 1,000 |
| 4 | 4P-SAN | 6.0 | 9.2 | 1,000 |
| 5 | 5P-SAN | 8.0 | 11.2 | 1,000 |
| 6 | 6P-SAN | 10.0 | 13.2 | 1,000 |
| 7 | 7P-SAN | 12.0 | 15.2 | 1,000 |
| 8 | 8P-SAN | 14.0 | 17.2 | 1,000 |
| 9 | 9P-SAN | 16.0 | 19.2 | 1,000 |
| 10 | 10P-SAN | 18.0 | 21.2 | 1,000 |
| 11 | 11P-SAN | 20.0 | 23.2 | 1,000 |
| 12 | 12P-SAN | 22.0 | 25.2 | 1,000 |
| 13 | 13P-SAN | 24.0 | 27.2 | 1,000 |
| 14 | 14P-SAN | 26.0 | 29.2 | 1,000 |
| 15 | 15P-SAN | 28.0 | 31.2 | 1,000 |

Material and Finish

PA 66, UL94V-0, yellow

RoHS2 compliance

<For reference> As the color identification, the following alphabet shall be put in the underlined part. For availability, delivery and minimum order quantity, contact JST.

ex. 2P-SAN-o
(blank)...yellow K...black W...white R...red

X-ON Electronics

Largest Supplier of Electrical and Electronic Components

Click to view similar products for [Headers & Wire Housings](#) category:

Click to view products by [JST](#) manufacturer:

Other Similar products are found below :

[95000-104TRLF](#) [10135584-644402LF](#) [DF62W-EP2022PCA](#) [95000-106TRLF](#) [DF62W-2022SCA](#) [DF62W-EP2022PC](#) [2203348](#) [DF62W-2022SC](#) [1084018](#) [1029039](#) [1084017](#) [802-10-012-10-002000](#) [1112640](#) [1112639](#) [891-007-9SS-BST1T](#) [000-34000](#) [0008550134](#) [0009482033](#) [0009507031](#) [57102-F02-18ULF](#) [57102-S06-03LF](#) [57202-S52-04LF](#) [PCN6-15S-2.5E](#) [0039019024](#) [58102-G61-06LF](#) [582553-1](#) [0009485154](#) [0009508121](#) [0022285053](#) [0050291907](#) [018731A](#) [LY20-4P-DT1-P1E-BR](#) [02.125.8002.8](#) [60101931](#) [60598-1 \(Cut Strip\)](#) [M1625-3R/100](#) [61062-3](#) [61082-181009](#) [CSU011177004](#) [636-1427](#) [638009-1](#) [641938-9](#) [641991-4](#) [644168-1](#) [644827-2](#) [647662-1](#) [65039-019ELF](#) [65692-001LF](#) [65781-018](#) [65781-047](#)