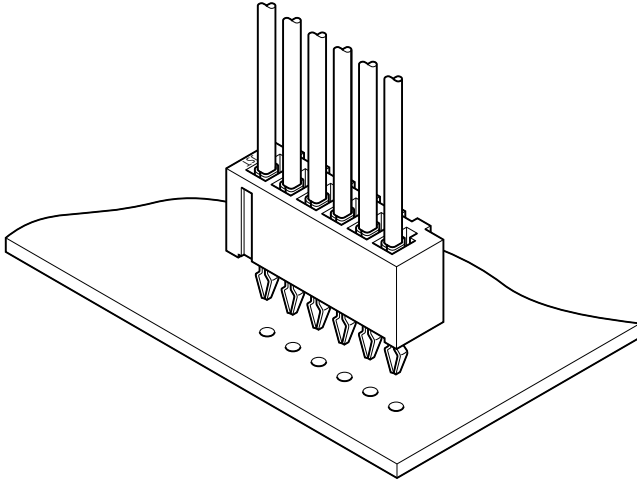


# SCN CONNECTOR

2.5 mm pitch/Board-in Crimp style connectors



This 2.5 mm pitch multi-circuit board-in connector meets the needs for high-density mounting on printed circuit boards efficiently and economically. The connector can be used for VCRs, car stereo systems, audio products, and many other consumer-oriented electronic products.

- Easy inserting contacts into housing
- Secure mounting on printed circuit boards
- Two types of contacts

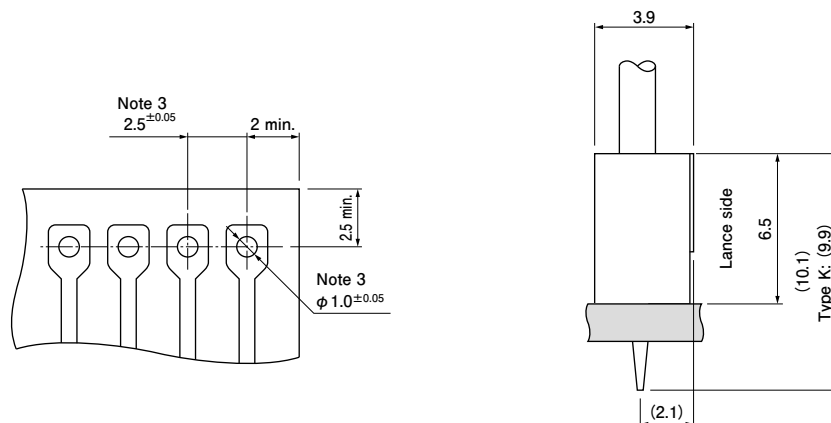
## Specifications

- Current rating: 3 A AC/DC (AWG #22)
  - Voltage rating: 250 V AC/DC
  - Temperature range: -25°C to +85°C  
(including temperature rise in applying electrical current)
  - Insulation resistance: 1,000 MΩ min.
  - Withstanding voltage: 800 VAC/minute
  - Applicable wire: AWG #28 to #22
  - Applicable PC board thickness: 1.2 mm, 1.6 mm
- \* In using the products, refer to "Handling Precautions for Terminals and Connectors" described on our website (Technical documents of Product information page).
- \* RoHS2 compliance
- \* Dimensional unit: mm
- \* Contact JST for details.

## Standards

Recognized E60389

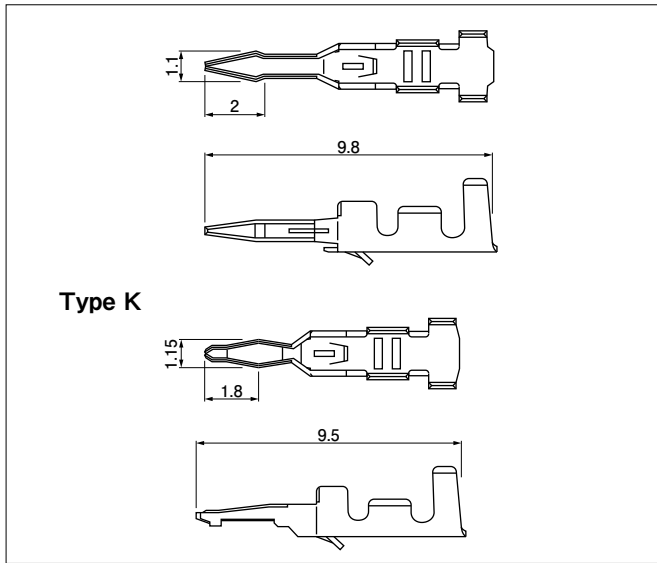
### PC board layout and Assembly layout



- Note: 1. The above figure is the figure viewed from the soldering side.  
 2. Applicable PC board thickness is 1.6 mm, and the one of Type K is 1.6 mm and 1.2 mm.  
 3. Contact JST for the hole size of Type K 7- circuit or more, since it differs from  $1.0 \pm 0.05$  dia. Tolerance for the drilling hole pitch on PCB is  $\pm 0.05$  throughout, and shall not be cumulative over than  $\pm 0.05$ .  
 4. Hole dimensions differ according to the type of PC board and piercing method. The dimensions described in the above figure should be given as reference. Contact JST for details.

# SCN CONNECTOR

## Contact



| Model No.     | Type | Applicable wire |       | Insulation O.D. (mm) | Material        | Q'ty/reel |
|---------------|------|-----------------|-------|----------------------|-----------------|-----------|
|               |      | mm <sup>2</sup> | AWG # |                      |                 |           |
| SCN-001T-P1.0 | —    | 0.08~0.33       | 28~22 | 0.9~1.7              | Phosphor bronze | 11,000    |
| SCN-001T-1.0K | K    |                 |       |                      | Brass           |           |

### Material and Finish

Tin-plated (reflow treatment)

### RoHS2 compliance

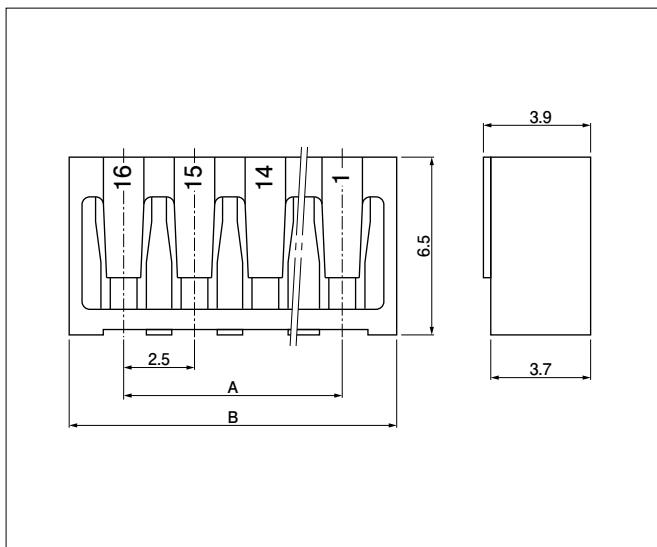
Note: 1. Contact JST if you require shielded wires, thin wires or other special wires.

2. Contact JST for brass products.

| Contact       | Crimping machine | Applicator       |               |                            |
|---------------|------------------|------------------|---------------|----------------------------|
|               |                  | Crimp applicator | Dies          | Crimp applicator with dies |
| SCN-001T-P1.0 | AP-K2N           | MKS-L            | MK/SCN-001-10 | APLMK SCN001-10            |
| SCN-001T-1.0K |                  |                  |               |                            |

Note: Contact JST for fully automatic crimping applicator.

## Housing



| No. of circuits | Model No.      | Dimensions (mm) |      | Q'ty/bag |
|-----------------|----------------|-----------------|------|----------|
|                 |                | A               | B    |          |
| 2               | <b>2P-SCN</b>  | 2.5             | 6.5  | 1,000    |
| 3               | <b>3P-SCN</b>  | 5.0             | 9.0  | 1,000    |
| 4               | <b>4P-SCN</b>  | 7.5             | 11.5 | 1,000    |
| 5               | <b>5P-SCN</b>  | 10.0            | 14.0 | 1,000    |
| 6               | <b>6P-SCN</b>  | 12.5            | 16.5 | 1,000    |
| 7               | <b>7P-SCN</b>  | 15.0            | 19.0 | 1,000    |
| 8               | <b>8P-SCN</b>  | 17.5            | 21.5 | 1,000    |
| 9               | <b>9P-SCN</b>  | 20.0            | 24.0 | 1,000    |
| 10              | <b>10P-SCN</b> | 22.5            | 26.5 | 1,000    |
| 11              | <b>11P-SCN</b> | 25.0            | 29.0 | 1,000    |
| 12              | <b>12P-SCN</b> | 27.5            | 31.5 | 1,000    |
| 13              | <b>13P-SCN</b> | 30.0            | 34.0 | 1,000    |
| 14              | <b>14P-SCN</b> | 32.5            | 36.5 | 1,000    |
| 15              | <b>15P-SCN</b> | 35.0            | 39.0 | 1,000    |
| 16              | <b>16P-SCN</b> | 37.5            | 41.5 | 1,000    |

### Material and Finish

PA 66, UL94V-0, ivory

### RoHS2 compliance

<For reference> As the color identification, the following alphabet shall be put in the underlined part. For availability, delivery and minimum order quantity, contact JST.

ex. **2P-SCN-oo**  
 (blank) ...ivory  
 K...black R...red Y...yellow

## X-ON Electronics

Largest Supplier of Electrical and Electronic Components

*Click to view similar products for [Headers & Wire Housings](#) category:*

*Click to view products by [JST](#) manufacturer:*

Other Similar products are found below :

[95000-104TRLF](#) [10135584-644402LF](#) [DF62W-EP2022PCA](#) [95000-106TRLF](#) [DF62W-2022SCA](#) [DF62W-EP2022PC](#) [2203348](#) [DF62W-2022SC](#) [1084018](#) [1029039](#) [1084017](#) [802-10-012-10-002000](#) [1112640](#) [1112639](#) [891-007-9SS-BST1T](#) [000-34000](#) [0008550134](#) [0009482033](#) [0009507031](#) [57102-F02-18ULF](#) [57102-S06-03LF](#) [57202-S52-04LF](#) [PCN6-15S-2.5E](#) [0039019024](#) [58102-G61-06LF](#) [582553-1](#) [0009485154](#) [0009508121](#) [0022285053](#) [0050291907](#) [018731A](#) [LY20-4P-DT1-P1E-BR](#) [02.125.8002.8](#) [60101931](#) [60598-1 \(Cut Strip\)](#) [M1625-3R/100](#) [61062-3](#) [61082-181009](#) [CSU011177004](#) [636-1427](#) [638009-1](#) [641938-9](#) [641991-4](#) [644168-1](#) [644827-2](#) [647662-1](#) [65039-019ELF](#) [65692-001LF](#) [65781-018](#) [65781-047](#)