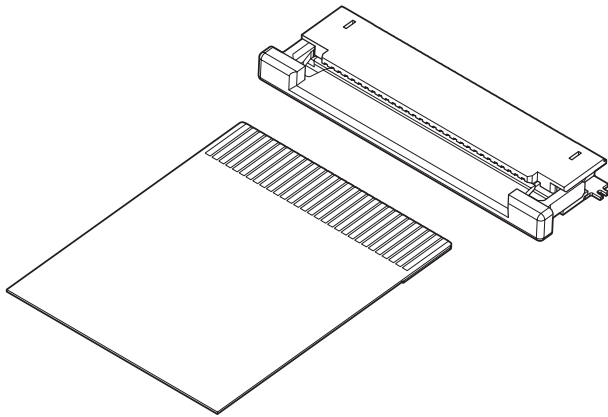




# FLZ CONNECTOR

0.5mm pitch/Connectors for FFC and FPC



**This extremely small 0.5 mm pitch connector with a height of only 2.0 mm above the PCB surface allows interconnection in extremely small spaces and is an example of JST's leading edge technology.**

- Zero insertion force mechanism
- Heat resisting design suitable for surface mounting
- In-line surface mount tails
- Two types of connections
- Embossed tape for automatic mounting

## Specifications

- Current rating: 0.5 A AC, DC
- Voltage rating: 50 V AC, DC
- Temperature range: -25°C to +85°C  
(including temperature rise in applying electrical current)
- Contact resistance: Initial value/ 40 mΩ max.  
After environmental tests/ 60 mΩ max.
- Insulation resistance: 800 MΩ min.
- Withstanding voltage: 200 VAC/minute
- Applicable FFC and FPC: Conductor pitch/ 0.5 mm  
Conductor width/ 0.35 mm  
Mating part thickness/ 0.3 ± 0.03 mm

Note: FFC and FPC to be actually used should be checked for applicability.

\* Refer to "General Instruction and Notice when using Terminals and Connectors" at the end of this catalog.

\* Contact JST for details.

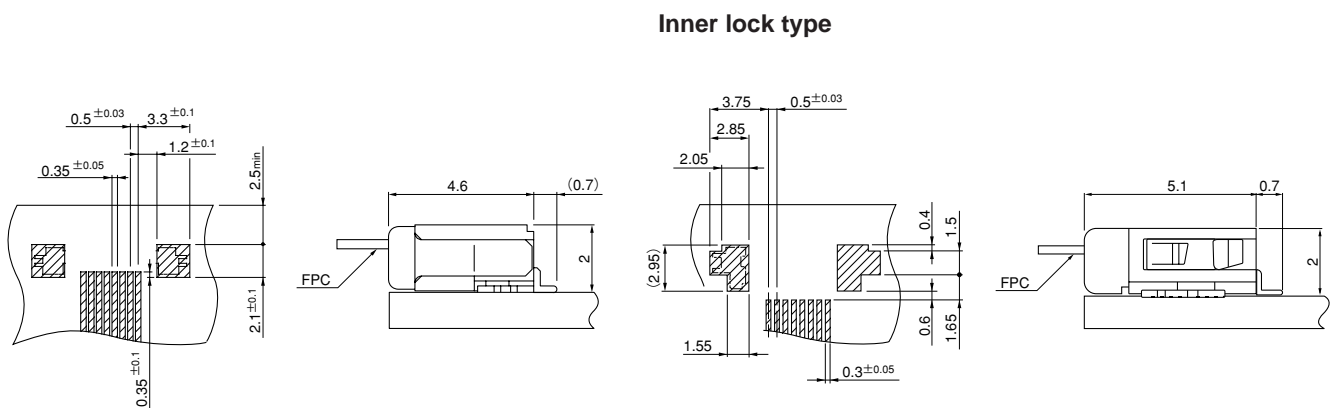
\* Compliant with RoHS.

## Standards

Ⓜ Recognized E60389

Ⓢ Certified LR20812

## PC board layout and Assembly layout



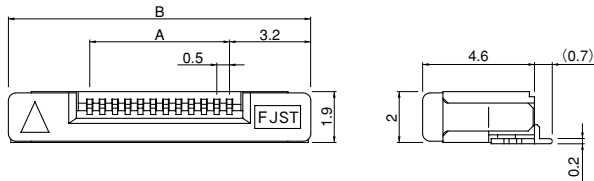
Note: 1. The above figure is the figure viewed from the connector mounting side.

2. Tolerances are non-cumulative: ±0.03 mm for all centers. The dimensions above should serve as a guideline. Contact JST for details.

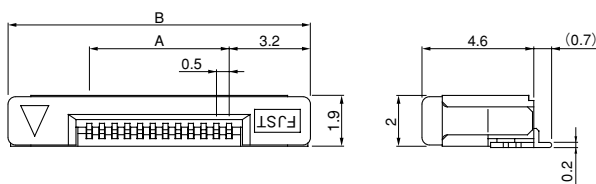
# FLZ CONNECTOR

## Connector

### Normal type

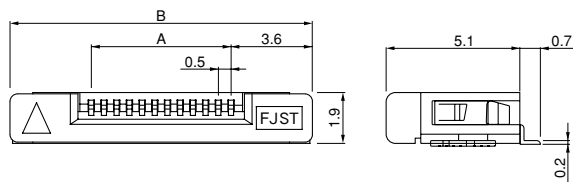


### Reverse type

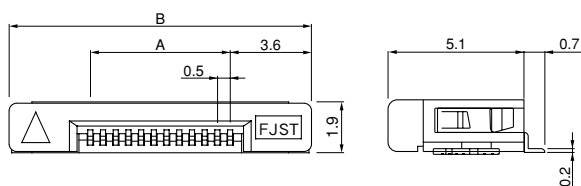


### <Inner lock type>

#### Normal type



#### Reverse type



| Circuits | Model No.    |               | Dimensions (mm) |      | Q'ty/<br>reel |
|----------|--------------|---------------|-----------------|------|---------------|
|          | Normal type  | Reverse type  | A               | B    |               |
| 6        | 06FLZ-SM2-TB | 06FLZ-RSM2-TB | 2.5             | 8.9  | 2,800         |
| 7        | 07FLZ-SM2-TB | 07FLZ-RSM2-TB | 3.0             | 9.4  | 2,800         |
| 8        | 08FLZ-SM2-TB | 08FLZ-RSM2-TB | 3.5             | 9.9  | 2,800         |
| 9        | 09FLZ-SM2-TB | 09FLZ-RSM2-TB | 4.0             | 10.4 | 2,800         |
| 10       | 10FLZ-SM2-TB | 10FLZ-RSM2-TB | 4.5             | 10.9 | 2,800         |
| 11       | 11FLZ-SM2-TB | 11FLZ-RSM2-TB | 5.0             | 11.4 | 2,800         |
| 12       | 12FLZ-SM2-TB | 12FLZ-RSM2-TB | 5.5             | 11.9 | 2,800         |
| 13       | 13FLZ-SM2-TB | 13FLZ-RSM2-TB | 6.0             | 12.4 | 2,800         |
| 14       | 14FLZ-SM2-TB | 14FLZ-RSM2-TB | 6.5             | 12.9 | 2,800         |
| 15       | 15FLZ-SM2-TB | 15FLZ-RSM2-TB | 7.0             | 13.4 | 2,800         |
| 16       | 16FLZ-SM2-TB | 16FLZ-RSM2-TB | 7.5             | 13.9 | 2,800         |
| 17       | 17FLZ-SM2-TB | 17FLZ-RSM2-TB | 8.0             | 14.4 | 2,800         |
| 18       | 18FLZ-SM2-TB | 18FLZ-RSM2-TB | 8.5             | 14.9 | 2,800         |
| 19       | 19FLZ-SM2-TB | 19FLZ-RSM2-TB | 9.0             | 15.4 | 2,800         |
| 20       | 20FLZ-SM2-TB | 20FLZ-RSM2-TB | 9.5             | 15.9 | 2,800         |
| 21       | 21FLZ-SM2-TB | 21FLZ-RSM2-TB | 10.0            | 16.4 | 2,800         |
| 22       | 22FLZ-SM2-TB | 22FLZ-RSM2-TB | 10.5            | 16.9 | 2,800         |
| 23       | 23FLZ-SM2-TB | 23FLZ-RSM2-TB | 11.0            | 17.4 | 2,800         |
| 24       | 24FLZ-SM2-TB | 24FLZ-RSM2-TB | 11.5            | 17.9 | 2,800         |
| 25       | 25FLZ-SM2-TB | 25FLZ-RSM2-TB | 12.0            | 18.4 | 2,800         |
| 26       | 26FLZ-SM2-TB | 26FLZ-RSM2-TB | 12.5            | 18.9 | 2,800         |
| 27       | 27FLZ-SM2-TB | 27FLZ-RSM2-TB | 13.0            | 19.4 | 2,800         |
| 28       | 28FLZ-SM2-TB | 28FLZ-RSM2-TB | 13.5            | 19.9 | 2,800         |
| 30       | 30FLZ-SM2-TB | 30FLZ-RSM2-TB | 14.5            | 20.9 | 2,800         |
| 33       | 33FLZ-SM2-TB | —             | 16.0            | 22.4 | 2,800         |

### <Inner lock type>

| Circuits | Model No.      |                 | Dimensions (mm) |      | Q'ty/<br>reel |
|----------|----------------|-----------------|-----------------|------|---------------|
|          | Normal type    | Reverse type    | A               | B    |               |
| 13       | —              | 13FLZ-RSM2-R-TB | 6.0             | 13.1 | 2,800         |
| 30       | 30FLZ-SM2-R-TB | —               | 14.5            | 21.6 | 2,800         |
| 32       | 32FLZ-SM2-R-TB | 32FLZ-RSM2-R-TB | 15.5            | 22.6 | 2,800         |
| 34       | 34FLZ-SM2-R-TB | 34FLZ-RSM2-R-TB | 16.5            | 23.6 | 2,800         |
| 36       | 36FLZ-SM2-R-TB | 36FLZ-RSM2-R-TB | 17.5            | 24.6 | 2,800         |
| 40       | 40FLZ-SM2-R-TB | 40FLZ-RSM2-R-TB | 19.5            | 26.6 | 2,800         |
| 42       | 42FLZ-SM2-R-TB | —               | 20.5            | 27.6 | 2,800         |
| 45       | 45FLZ-SM2-R-TB | —               | 22.0            | 29.1 | 2,800         |
| 50       | 50FLZ-SM2-R-TB | —               | 24.5            | 31.6 | 2,800         |

#### Material and Finish

Contact: Phosphor bronze, copper-undercoated, tin-plated (reflow treatment)  
Slider housing: PA 6T, UL94V-0 (black)

Housing: PA 6T, UL94V-0

Normal type...gray

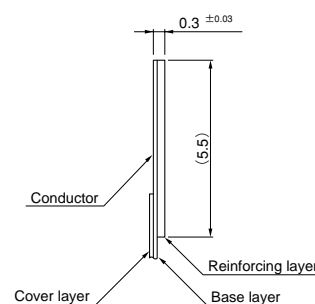
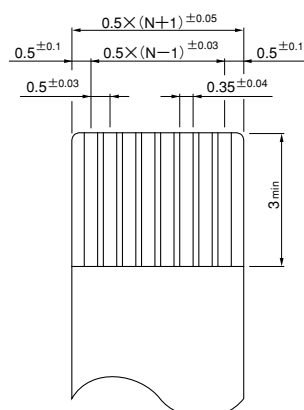
Reverse type...natural

Solder tab: Phosphor bronze, copper-undercoated, tin-plated (reflow treatment)

**RoHS compliance** This product displays (LF)(SN) on a label.

Note: These products listed above are supplied on embossed tape.

## Lead section dimensions of FFC and FPC



Note: N --- Number of circuits

## X-ON Electronics

Largest Supplier of Electrical and Electronic Components

*Click to view similar products for [jst manufacturer](#):*

Other Similar products are found below :

[GS3-0.5](#) [GS8-6](#) [B08B-JWPF-SK-R](#) [B3PS-VH](#) [B5B-XH-A](#) [B5P-VH](#) [B7B-XH-A](#) [B8B-PH-SM4-TB](#) [FVGS5-6](#) [B34B-PHDSS-B\(LF\)\(SN\)](#)  
[B3B-ZR-SM4-TF](#) [B4B-PH-SM4-TB](#) [B4PS-VH](#) [B5B-PH-SM4-TB](#) [B6B-PH-SM4-TB](#) [B6B-XH-A](#) [B8B-PH-K-S](#) [IDH-KR-12](#) [10HR-4K](#) [WC-](#)  
[ZE2426](#) [WC-691](#) [WC-122](#) [FVDDF5.5-375A \(LF\)](#) [FVGS12-6 \(LF\)](#) [FVWS2-S3.3 \(LF\)](#) [FVWS5.5-5 \(LF\)](#) [B6PS-VH\(LF\)\(SN\)](#) [FNGS12-6](#)  
[TWE0.5-8](#) [FVGS4-1 \(LF\)](#) [HILR-06VF-1-S](#) [YRS-1090](#) [WC-GVH2630](#) [WC-PUD2](#) [S10B-PH-SM4-TB\(LF\)\(SN\)](#) [B4B-EH-A-TW \(LF\)\(SN\)](#)  
[B4B-XH-TW \(LF\)\(SN\)](#) [B5B-PH-TW-S \(LF\)\(SN\)](#) [B8B-PH-TW-S \(LF\)\(SN\)](#) [B9B-XH-A](#) [BM03B-GHS-TBT](#) [BM04B-GHS-TBT](#) [BM06B-](#)  
[GHS-TBT](#) [BM10B-GHS-TBT](#) [10FPZ-SM-TF\(LF\)\(SN\)](#) [YRS-852](#) [B04B-VYHSK-M-1](#) [WC-530](#) [B4B-PH-SM4-GW-TB](#) [B2B-ZR-SM4-](#)  
[TFT\(LF\)\(SN\)](#)