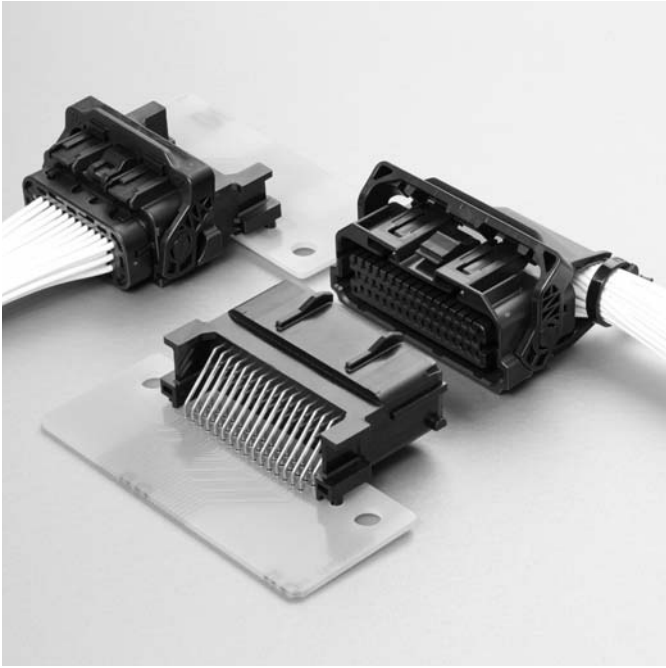


# ZRO CONNECTOR

## Board-to-wire/Sealed connector



This connector is an interface connector, 48 and 36 circuits sealed and lever type.

### Features

#### ●Improvement of Operability

The lever is adopted to decrease the connector mating force. The fixing part to PC board is snap fit configuration in consideration of the workability when assembling.

#### ●Sealed

Mat seal is adopted for improving the workability of wire seal part.

#### ●Durability

Heat resistant specification corresponding to 120°C.

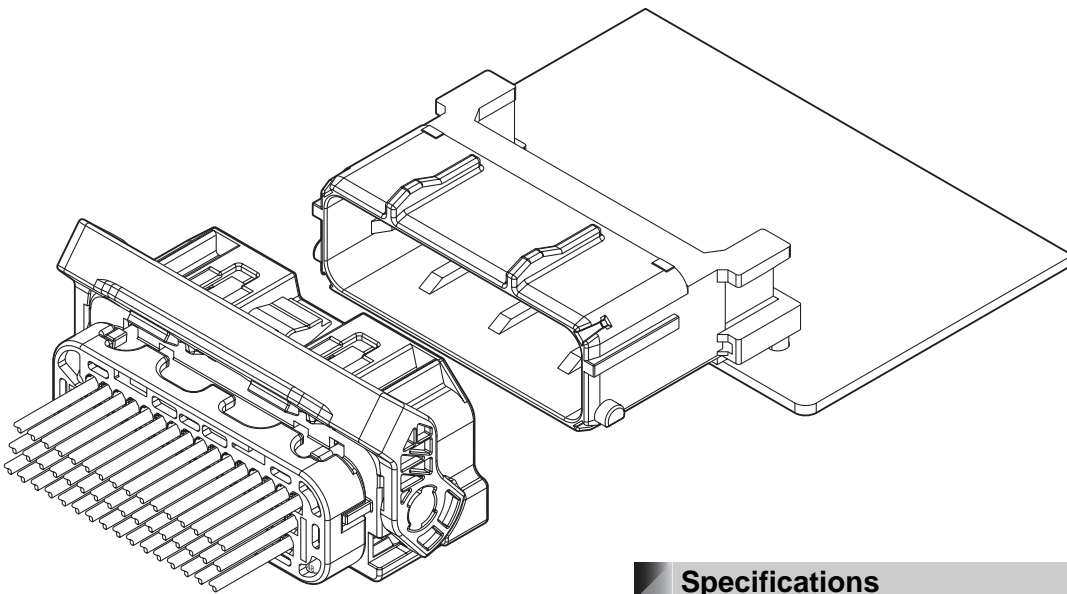
#### ●Reduced waste structure

Low cost and low resources are realized by abolishing use of the wire rod pin and the alignment board.

#### ●Variations

This connector is available in two kinds of keying codes. If the harness cover of an option is used, the harness can be taken out from the side.

Circuits: Lineup of 48 and 36 circuits.



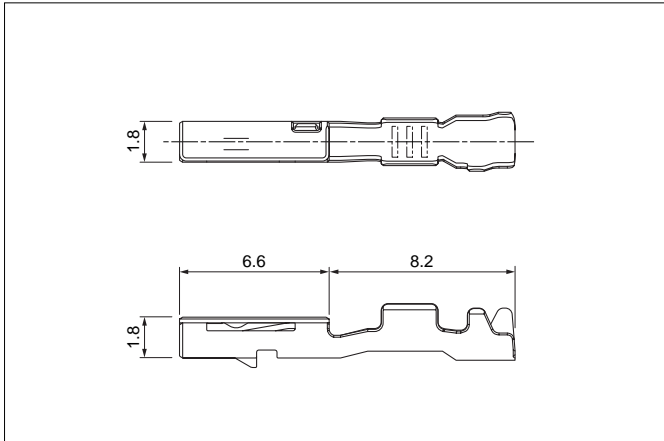
### Specifications

- Current rating: Power/ 7 A DC  
Signal/ 5 A DC
- Voltage rating: 50 V DC
- Temperature range: -40°C to +120°C  
(including temperature rise in applying electrical current)
- Contact resistance: Initial value/ 8 mΩ max.  
After environmental tests/ 16 mΩ max.
- Insulation resistance: 100 MΩ min.
- Withstanding voltage: 1,000 VAC/minute
- Applicable wire: AVSS 0.3 mm<sup>2</sup> to 0.85 mm<sup>2</sup>  
AESSX-f 0.3 mm<sup>2</sup> to 0.75 mm<sup>2</sup>

\* Compliant with ELV/RoHS.

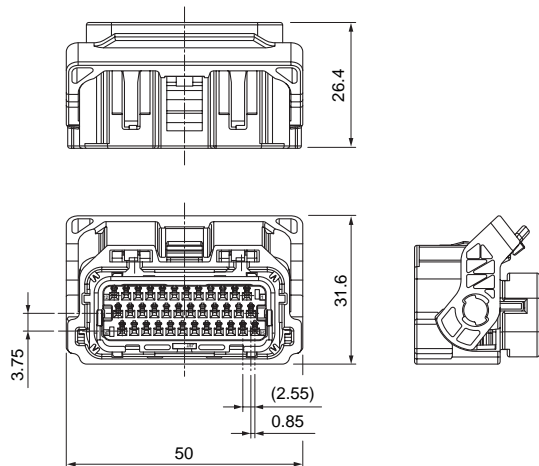
\* Contact JST for details.

## Female terminal

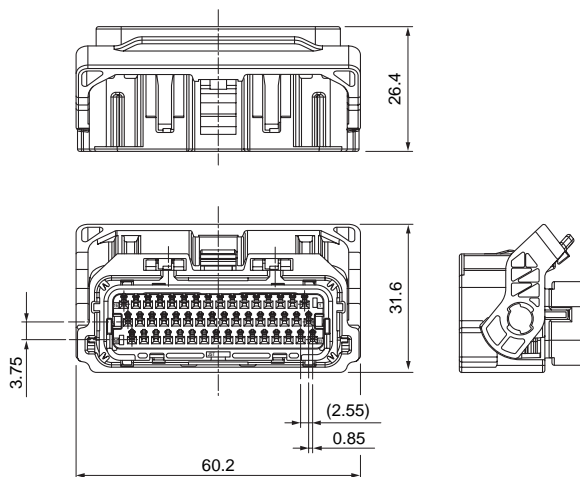


## Female connector

### • 36 circuits



### • 48 circuits



Model No.	Applicable wire range		Q'ty/reel
	Conductor (mm <sup>2</sup> )	Insulation O.D. (mm)	
<b>SZRO-A021T-M0.64</b>	0.3 to 0.5	1.4 to 1.7	7,500
<b>SZRO-A031T-M0.64</b>	0.75 to 0.85	1.8 to 1.9	7,000

### Material and Finish

Copper alloy, tin-plated (reflow treatment)

Circuits	Model No.	Key Code	Applicable wire range (mm <sup>2</sup> )	Q'ty/box	Housing Color	Wire seal Color
36	<b>36ZRO-B-1A</b>	A	0.5 to 0.85	512	Black	Brown
	<b>36ZRO-B-2A</b>	A	0.3 to 0.85 (Note)	512	Black	Red
	<b>36ZRO-B-2B</b>	B	0.3 to 0.85 (Note)	512	Gray	Red
48	<b>48ZRO-B-1A</b>	A	0.5 to 0.85	384	Black	Brown
	<b>48ZRO-B-1B</b>	B	0.5 to 0.85	384	Gray	Brown
	<b>48ZRO-B-2A</b>	A	0.3 to 0.85 (Note)	384	Black	Red
	<b>48ZRO-B-2B</b>	B	0.3 to 0.85 (Note)	384	Gray	Red

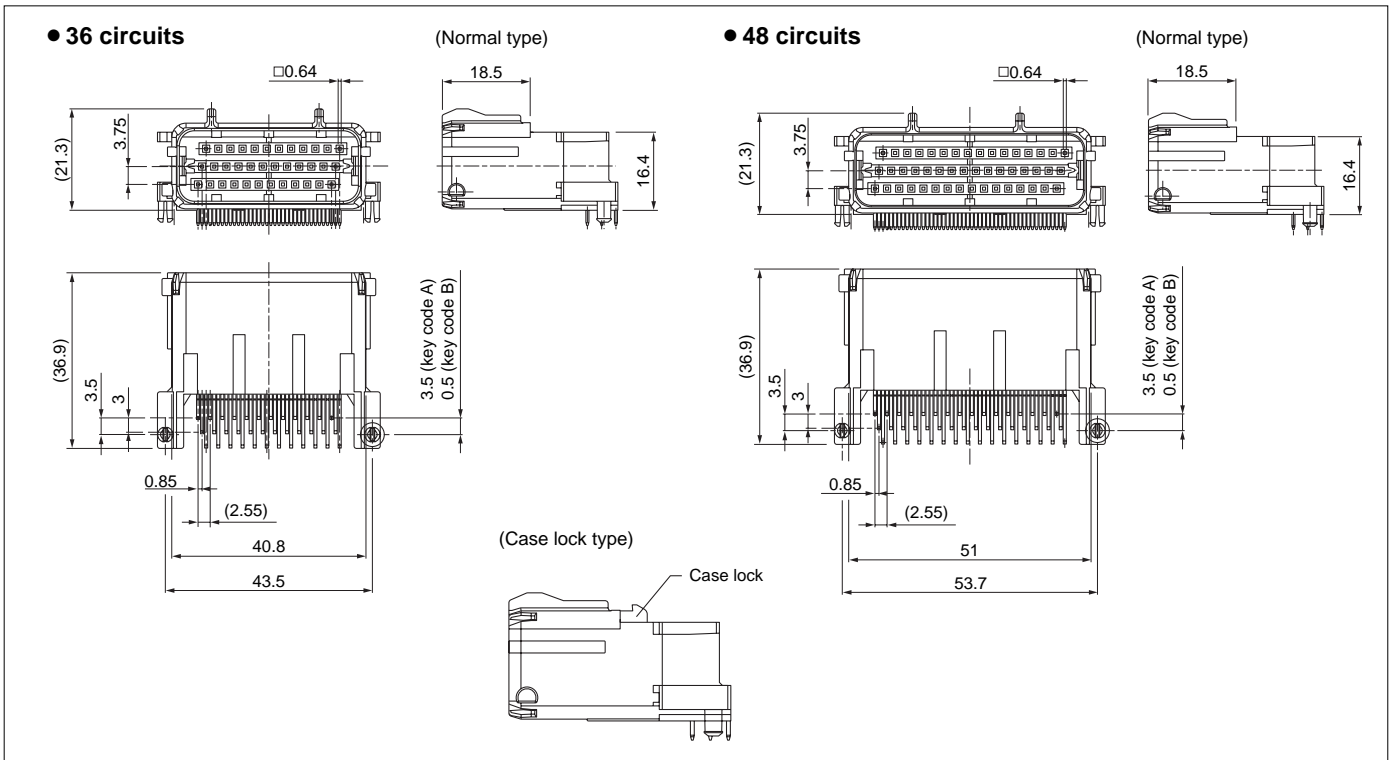
### Material and Finish

Housing: Glass-filled PBT  
Seal: Silicone  
Lever: POM

Note: There is a limit to an arrangement and number of wires when 0.75 mm<sup>2</sup> and 0.85 mm<sup>2</sup> wires applied. Refer to the drawing or contact JST for details.

# ZRO CONNECTOR

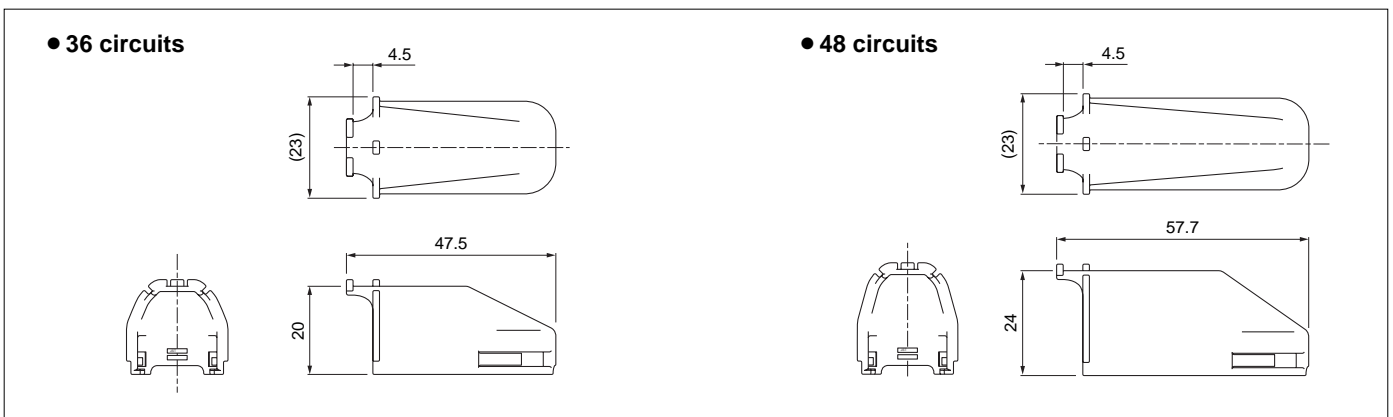
## Male connector



Type	Circuits	Model No.	Key Code	Q'ty/box	Housing Color
Normal	36	S36B-ZROK-2A-R	A	240	Black
		S36B-ZROH-2B-R	B		Gray
	48	S48B-ZROK-2A-R	A	192	Black
		S48B-ZROH-2B-R	B		Gray
Case lock	36	S36B-ZROK-3A-R	A	240	Black
		S36B-ZROH-3B-R	B		Gray
	48	S48B-ZROK-3A-R	A	192	Black
		S48B-ZROH-3B-R	B		Gray

**Material and Finish**  
Housing: Glass-filled PBT  
Pin: Brass, tin-plated (reflow treatment)

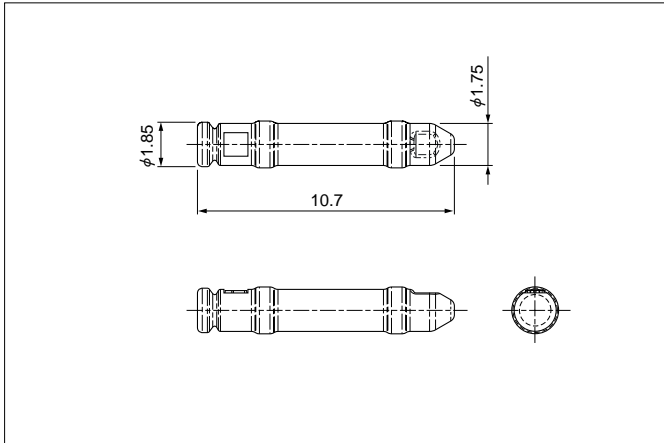
## Harness cover



Circuits	Model No.	Q'ty/box	Housing Color
36	ZROHC-36H-K-1	900	Black
48	ZROHC-48H-K-1	600	Black

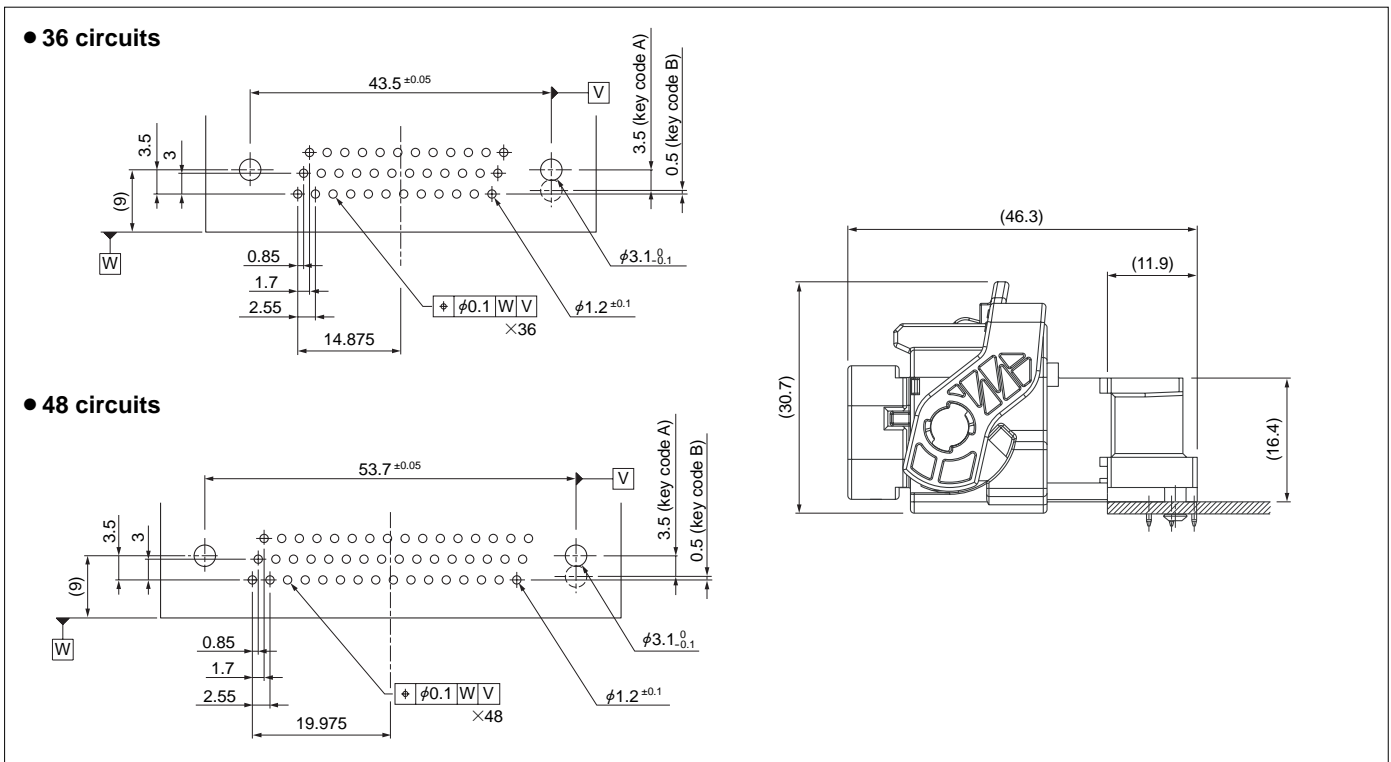
**Material and Finish**  
PBT

## Dummy plug



Model No.	Q'ty/box
WPHDP-H-1A-H	7,000
Material and Finish	
PBT, Gray	

## PC board layout, Assembly layout



## Crimping machine, Applicator

Strip terminal	Crimping machine	Crimp applicator MKS-L	
		Dies	Crimp applicator with dies
SZRO-A021T-M0.64	AP-K2N	MK/SWPH-A021-064	APLMK SWPH-A021-064
SZRO-A031T-M0.64		MK/SZRO-A031-064	APLMK SZRO-A031-064

Note: When crimping operation is conducted using an applicator and die set other than the above, JST cannot guarantee the performance of the terminal.

## X-ON Electronics

Largest Supplier of Electrical and Electronic Components

*Click to view similar products for [Automotive Connectors](#) category:*

*Click to view products by [JST manufacturer](#):*

Other Similar products are found below :

[003-018-000](#) [60993906-B](#) [72.330.1035.1](#) [776880-1](#) [827153-1](#) [9-1326729-8](#) [9-221607-5](#) [925474-1](#) [928905-1](#) [964562-4](#) [968782-1](#) [12004468](#)  
[12004475-L](#) [12004483](#) [12052466](#) [12066163](#) [12015909](#) [12077753](#) [1-21030-1](#) [12047957](#) [12047958](#) [12084688](#) [12185550](#) [12336-12](#) [1-](#)  
[326211-1](#) [13681974](#) [13688972](#) [13755420](#) [13779834](#) [13783086](#) [13843152](#) [13522378](#) [13581967](#) [13669624](#) [13675513](#) [13753471](#) [13946876](#)  
[13953457](#) [13955963](#) [13964573](#) [13971791](#) [13790534-L](#) [13797473](#) [13805590](#) [13888202](#) [13969981](#) [1428188-1](#) [1437287-3](#) [1428188-2](#) [DS07-](#)  
[19S-5020](#)