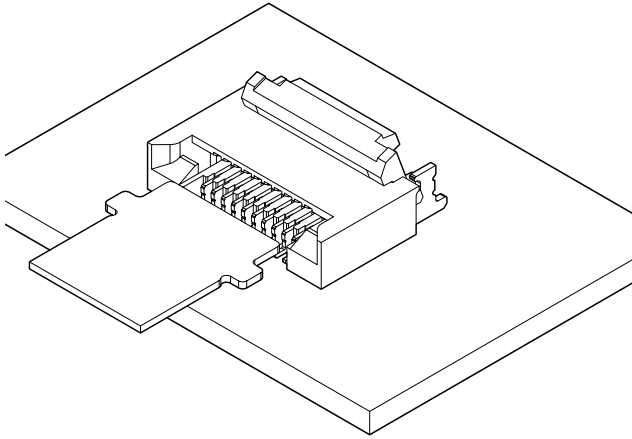


FHH CONNECTOR

0.5mm pitch/Connectors for FPC



This is 2.0mm height connector with the double-sided contact for FPC. As FPC with protrusions is used for this FHH connector, prevention of incomplete insertion and mis-insertion are realized and connection reliability is improved.

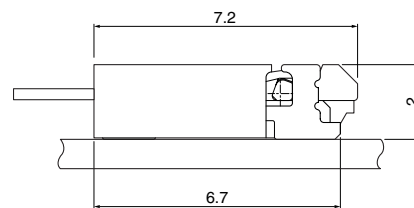
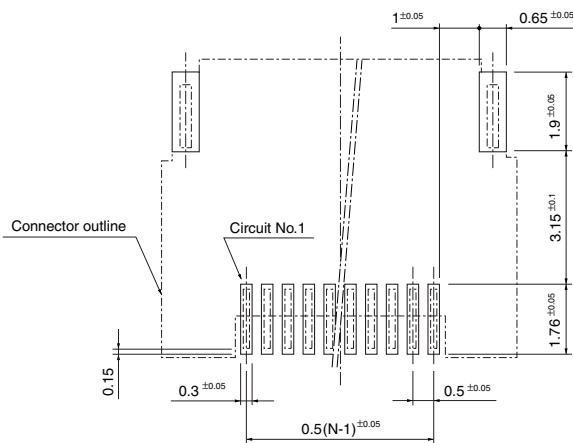
Specifications

- Current rating: 0.5A AC, DC
- Voltage rating: 50V AC, DC
- Temperature range: -25°C to +85°C
(including temperature rise in applying electrical current)
- Contact resistance: Initial value/ 70mΩ max.
After environmental testing/ 60mΩ max.
(variation from initial value)
- Insulation resistance: 500MΩ min.
- Withstanding voltage: 200V AC/minute
- Applicable FPC: Conductor pitch/ 0.5mm
Conductor width/ 0.35mm
Mating part thickness/ 0.3±0.03mm

* Compliant with RoHS.

* Refer to "General Instruction and Notice when using Terminals and Connectors" at the end of this catalog.

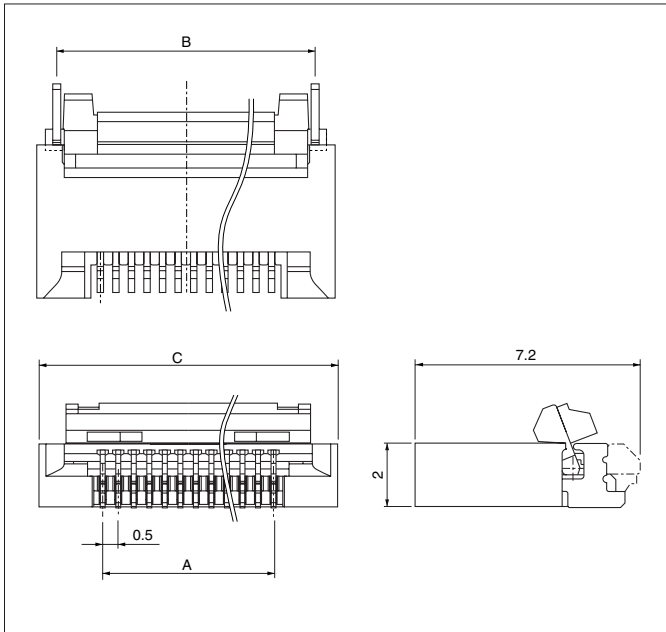
* Contact JST for details.



Note: N --- Number of circuits

FHH CONNECTOR

Connector



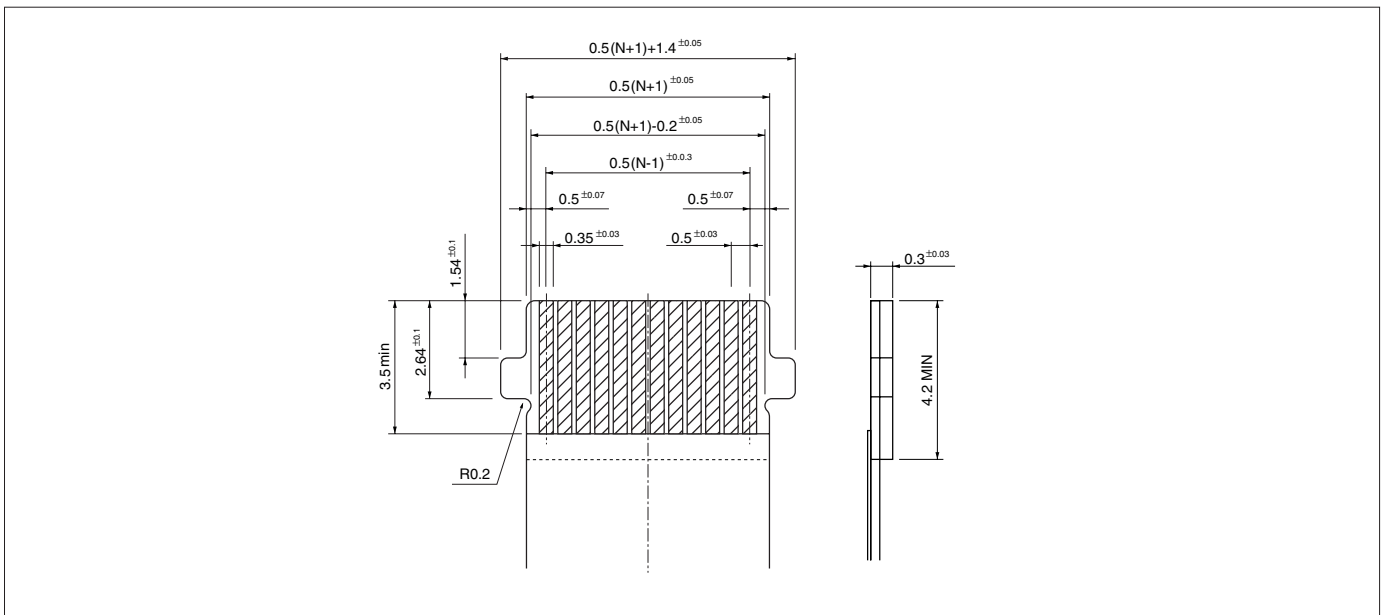
Circuits	Model No.	Dimensions (mm)			Q'ty / reel
		A	B	C	
10	10FHH-SM1-GAN-TF	4.5	7.4	8.6	2,000
20	20FHH-SM1-GAN-TF	9.5	12.4	13.6	2,000
30	30FHH-SM1-GAN-TF	14.5	17.4	18.6	2,000
40	40FHH-SM1-GAN-TF	19.5	22.4	23.6	2,000
50	50FHH-SM1-GAN-TF	24.5	27.4	28.6	2,000
60	60FHH-SM1-GAN-TF	29.5	32.4	33.6	2,000

Material and Finish

Contact: Copper alloy, nickel-undercoated, gold-plated (nickel-stripe)
 Solder tab: Copper alloy, copper-undercoated, tin-plated (reflow treatment)
 Housing: Heat resisting resin, UL94V-0, natural
 Cover: Heat resisting resin, UL94V-0, black

RoHS compliance This product displays (LF)(SN) on a label.
 Note: This products listed above are supplied on embossed-tape.

Lead section dimensions of FPC



Note: N --- Number of circuits

X-ON Electronics

Largest Supplier of Electrical and Electronic Components

Click to view similar products for [FFC & FPC Connectors](#) category:

Click to view products by [JST manufacturer](#):

Other Similar products are found below :

[00-6200-227-022-800](#) [006205250500825+](#) [006205280500825+](#) [FPH-1602G](#) [086222026001800](#) [52610-0675](#) [62674-201121DLF](#) [52746-1671-TR250](#) [10051922-1610EHLF](#) [10051922-2810EHLF](#) [686322124422](#) [XF3M-2915-1B-R100](#) [AYF353125A](#) [AYF530665TA](#) [AYF534065TA](#) [20FLH-RSM1-TB](#) [PCA-7F-25-HL-3-G](#) [207356-1](#) [52807-0430](#) [FFC05011-10SBB114W5M](#) [502250-8027](#) [FH28K-40S-0.5SH](#) [200528-0260](#) [FH28K-10S-0.5SH](#) [501951-1250](#) [X05B20U43T](#) [0.5K-DX-30PWB](#) [DS1020-08-10VBT12](#) [THD0515-34CL-GF](#) [X05A10L28G](#) [ECC2841061EU](#) [20539-030E-01](#) [1.0K-DHQX-16PWB](#) [1.0K-DHQX-30PWB](#) [1775333-6](#) [10054365-202110ELF](#) [10054365-242110ELF](#) [10054365-282110ELF](#) [10064555-392220HLF](#) [59453-041110EBHLF](#) [59453-091110EDHLF](#) [62674-241141ALF](#) [62684-432100ALF](#) [62684-451100AHLF](#) [62684-5721N0ALF](#) [HFW11R-1STE1MTLF](#) [HFW12R-1STE9LF](#) [HFW14R-1STE9MTLF](#) [HFW18S-2STE9LF](#) [HFW20R-1STAE1HLF](#)