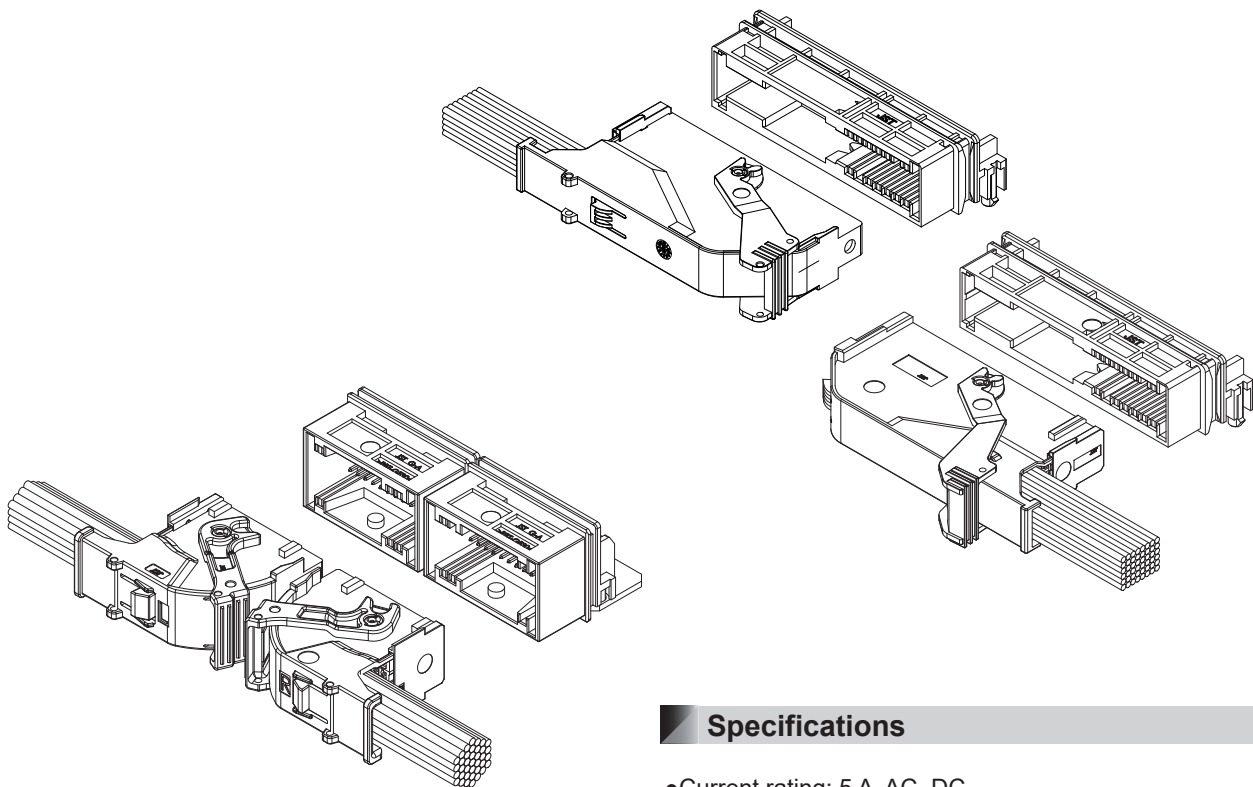


Realized low insertion force with lever mechanism. These connector have the variousable to color/ key/ pin arrange corresponding to needs, hance the connector type suitable can be selected.



Features

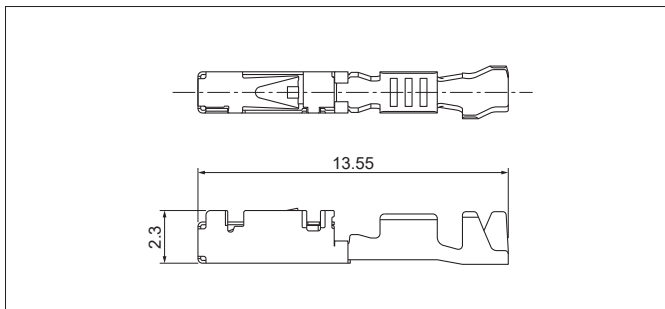
- **Variation**
Various pin arrangement/ housing color/ key code/ harness direction selectable.
- **Terminal Construction**
Four contact points and dual springs achieve high reliability.
- **Lever Mating**
The lever mechanism is adopted to reduce the insertion force in mating male and female connector.

Specifications

- Current rating: 5 A AC, DC
- Withstanding voltage: 1,000 VAC/minute
- Temperature range: -40°C to +85°C
(including temperature rise in applying electrical current)
- Contact resistance: Initial value/ 15 mΩ max.
After environmental tests/ 15 mΩ max.
- Insulation resistance: 100 MΩ min.
- Applicable wire: AVSS
0.3 mm² to 0.5 mm²
FLRY-A
0.35 mm² to 0.5 mm²

* Compliant with ELV/RoHS.
* Contact JST for details.

Female terminal



Model No.	Applicable wire range		Q'ty/reel
	Conductor (mm ²)	Insulation O.D. (mm)	
SGIT-B021T-MS0.64	0.35 to 0.5	1.4 to 1.7	9,000

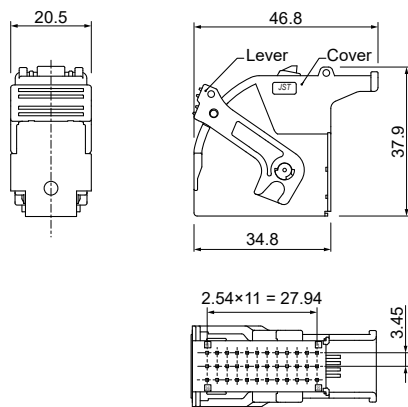
Material and Finish

Terminal box: SUS
Terminal spring: Copper alloy, tin-plated

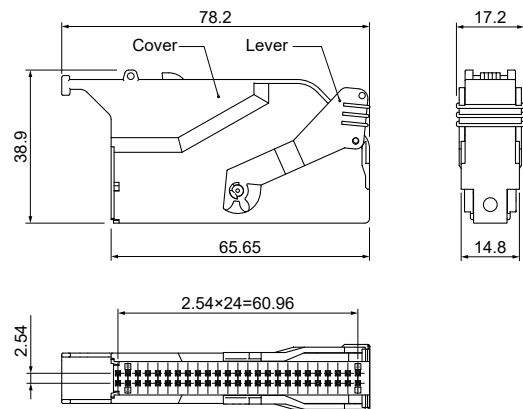
Female connector

Cover housing

• 36GIT-CL-1A-()-() ()



• 50GIT-CL-1A-01()-() Harness Left Direction



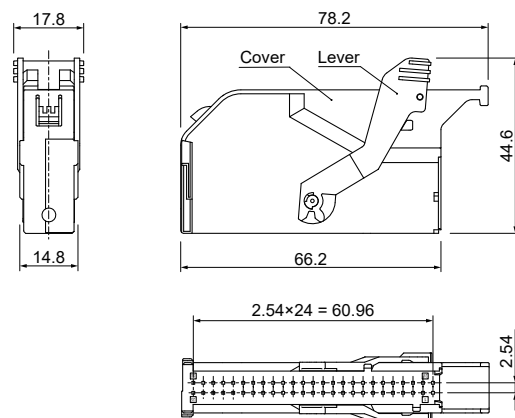
Circuits	Model No.	Q'ty/box
36	36GIT-CL-1A-()-() ()	360
50	50GIT-CL-1A-01()-()	360
	50GIT-CL-2A-37()-()	360

Material and Finish

Cover housing: Glass-filled PBT
Color: GIT 36P: Yellow, Orange, White (Left Direction)
Black (Right Direction)
GIT 50P: Yellow (Left Direction)
Orange (Right Direction)

Lever: Glass-filled PBT
Color: GIT 36P: Black
GIT 50P: Gray, Green, Black

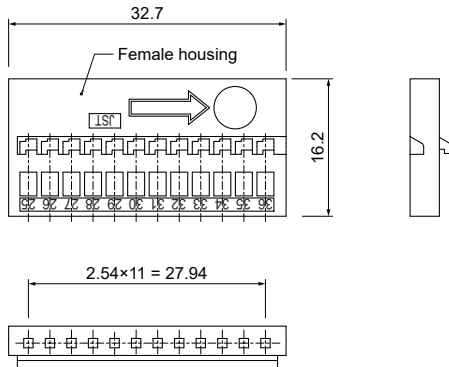
• 50GIT-CL-2A-37()-() Harness Right Direction



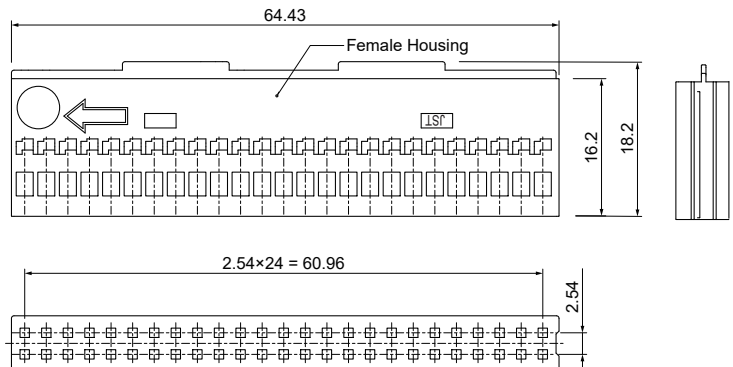
Female connector

Female housing

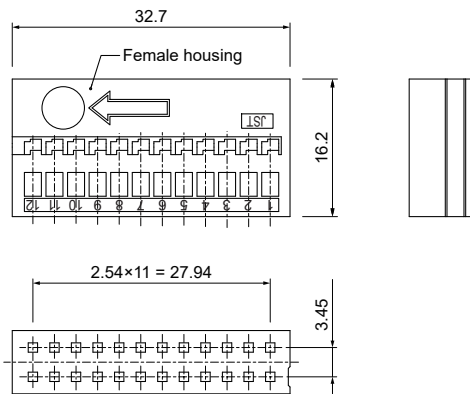
• GITR-12H-3(-)-K



• GITR-50H-(-)A-K



• GITR-24H-1(-)-K



Circuits	Model No.	Q'ty/box
36	GITR-12H-3()-K	1,500
	GITR-24H-1()-K	900
50	GITR-50H-()A-K	600

Material and Finish

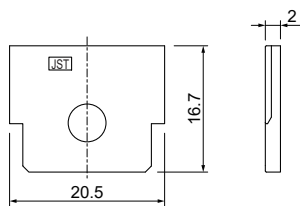
Housing: Glass-filled PBT, Black

Note: GITR-12H-3A-K: It is used in GIT 36 circuits Harness Left Direction.
 GITR-12H-3B-K: It is used in GIT 36 circuits Harness Right Direction.
 GITR-24H-1A-K: It is used in GIT 36 circuits Harness Left Direction.
 GITR-24H-1B-K: It is used in GIT 36 circuits Harness Right Direction.

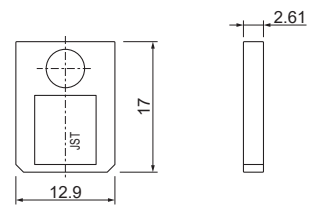
GITR-50H-1A-K: It is used in GIT 50 circuits Harness Left Direction.
 GITR-50H-2A-K: It is used in GIT 50 circuits Harness Right Direction.

Slide cover

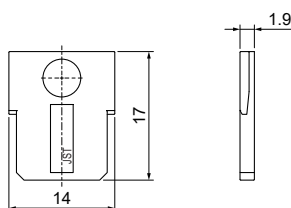
• GITSL-H-4A-K



• GITSL-H-2A-K



• GITSL-H-3A-K



Circuits	Model No.	Q'ty/box
36	GITSL-H-4A-K	400
50	GITSL-H-2A-K	500
	GITSL-H-3A-K	500

Material and Finish

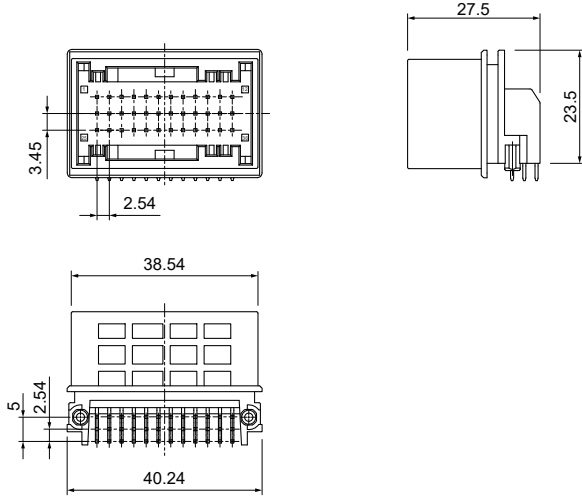
Housing: Glass-filled PBT, Black

Note: GITSL-H-4A-K for GIT 36 circuits is available for both directions.
 GITSL-H-2A-K is used in GIT 50 circuits Harness Left Direction.
 GITSL-H-3A-K is used in GIT 50 circuits Harness Right Direction.

Male connector

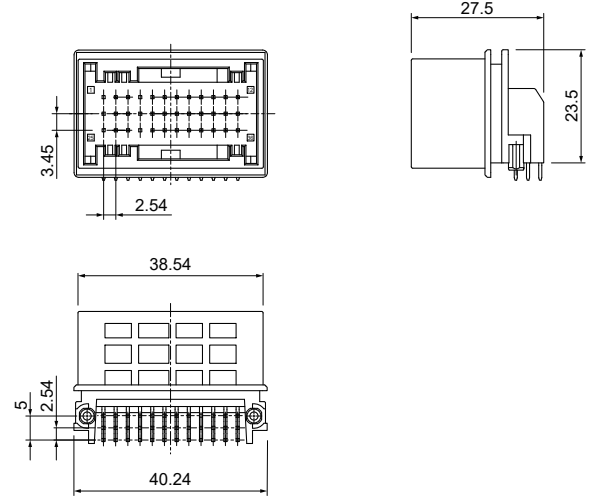
Harness Left Direction

- S36B-GIT()-2A-()L
- S24(36)B-GIT()-2A-()L

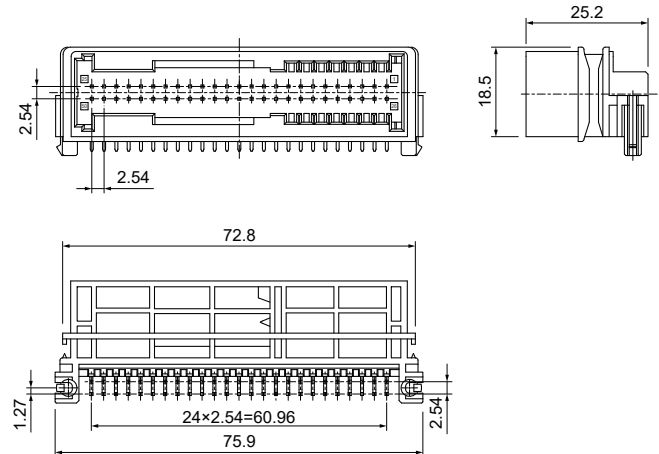


Harness Right Direction

- S36B-GIT()-2A-()R
- S24(36)B-GIT()-2A-()R



- S()(50)B-GIT03-2C-()



Circuits	Model No.	Q'ty/box
36	S36B-GIT()-2A-()()	180
	S24(36)B-GIT()-2A-()()	180
50	S()(50)B-GIT03-2C-()	192

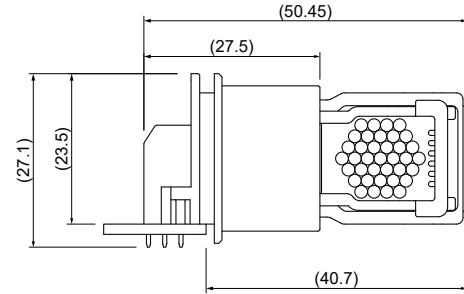
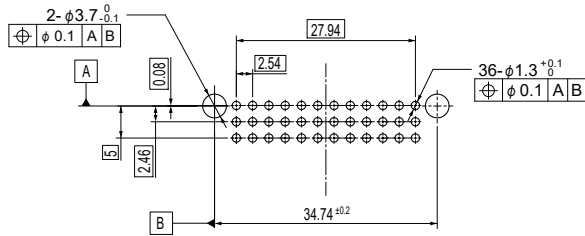
Material and Finish

Housing: Glass-filled PBT, Black

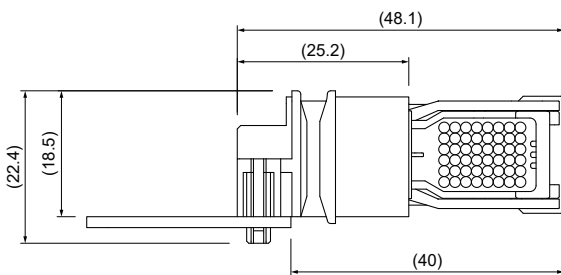
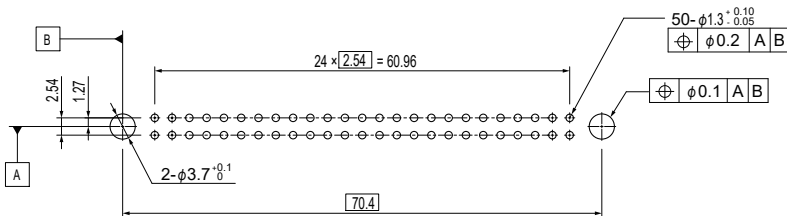
Terminal: Copper alloy, nickel-undercoated, tin-plated

PC board layout, Assembly layout

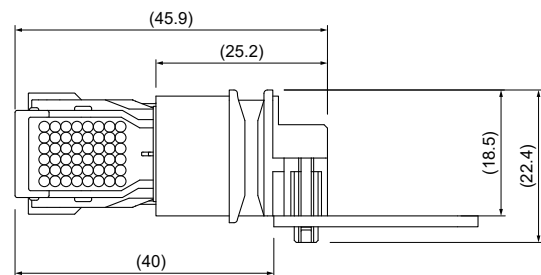
• 36 circuits



• 50 circuits



Harness Left Direction



Harness Right Direction

Crimping machine, Applicator

Strip terminal	Crimping machine	Crimp applicator MKS-L	
		Dies	Crimp applicator with dies
SGIT-B021T-MS0.64	AP-K2N	MK/SGIT-B021-064	APLMK SGIT-B021-064

Note: When crimping operation is conducted using an applicator and die set other than the above, JST cannot guarantee the performance of the terminal.

X-ON Electronics

Largest Supplier of Electrical and Electronic Components

Click to view similar products for [Headers & Wire Housings](#) category:

Click to view products by [JST](#) manufacturer:

Other Similar products are found below :

[0015917161](#) [0022155065](#) [57102-F02-18ULF](#) [58102-G61-06LF](#) [582553-1](#) [01.001.5753.1](#) [0050291907](#) [02.125.8002.8](#) [609-3404](#) [61062-3](#)
[CSU011177004](#) [622-0430](#) [622-3653LF](#) [63453-116](#) [636-1030](#) [636-1427](#) [636-3427](#) [636-4007](#) [641938-9](#) [65495-038](#) [65692-001LF](#) [65781-018](#)
[65781-047](#) [65817-010LF](#) [65817-015LF](#) [67095-007LF](#) [67601157](#) [68631-112](#) [68645-018](#) [699319-000](#) [70.362.1628.0](#) [70-4210](#) [70-4226B](#) [70-](#)
[4853B](#) [71.350.2428.0](#) [733-134](#) [733-162](#) [MHR-64-VUAL](#) [80.063.4001.1](#) [800-90-001-10-001000](#) [801-43-002-10-013000](#) [801-43-006-10-](#)
[002000](#) [803-43-024-10-001000](#) [803-93-012-10-001000](#) [8-1437020-4](#) [819-22-004-30-001101](#) [820-22-006-30-001101](#) [820-22-008-30-001101](#)
[821-22-002-10-001101](#) [821-22-003-10-002101](#)