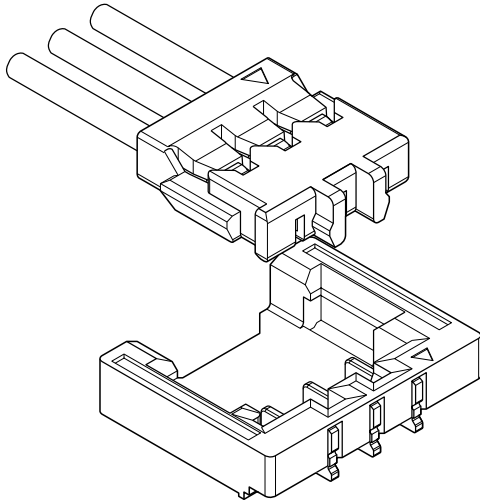


# ACHF CONNECTOR

1.2mm pitch/Disconnectable Crimp style connectors



**This ACHF connector is compact and low profile type, height 1.43mm and width 4.95mm, 1.2mm pitch wire-to-board connector.**

- High-strength
- Top entry but side feed type
- Connector for power supply  
(Power supply circuit: 2.5 A, Signal circuit: 1.0 A)

## Specifications

- Current rating: 2.5 A AC, DC (AWG #28)  
(Signal circuit of 4 and 6 circuits is 1.0 A.)

Circuit No. No. of circuits	Current unit: A					
	1	2	3	4	5	6
3	2.5	2.5	2.5			
4	2.5	1.0	1.0	2.5		
6	2.5	2.5	1.0	1.0	2.5	2.5

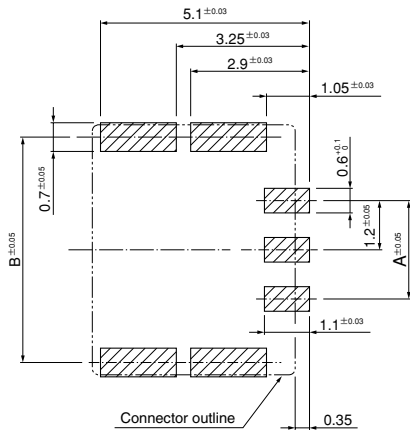
- Voltage rating: 50 VAC, DC
- Temperature range: -25°C to +85°C  
(including temperature rise in applying electrical current)
- Contact resistance: Initial value/ 10 mΩ max.  
After environmental tests/ 20 mΩ max.
- Insulation resistance: 100 Ω min.
- Withstanding voltage: 500 VAC/minute
- Applicable wire: Conductor size/ AWG #30 to #28  
Insulation O.D./ 0.5 to 0.63 mm

- \* Refer to "General Instruction and Notice when using Terminals and Connectors" at the end of this catalog.
- \* Contact JST for details.
- \* Compliant with RoHS.

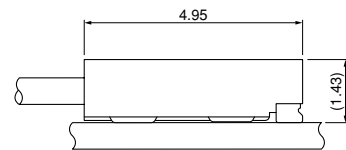
## Standards

Recognized E60389

## PC board layout and Assembly layout



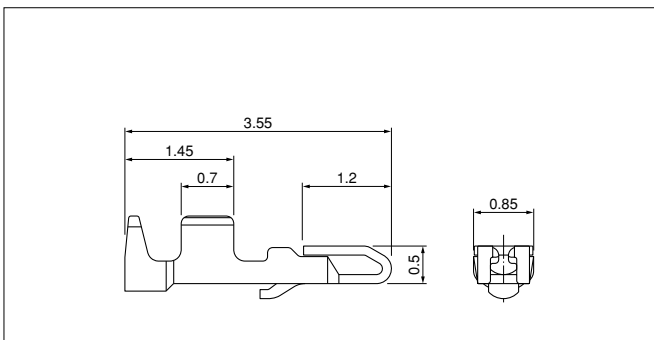
Circuits	Dimensions (mm)	
	A	B
3	2.4	5.5
4	3.6	6.7
6	6.0	9.1



Note: 1. The above figure is the figure viewed from the connector mounting side.

2. Tolerances are non-cumulative: ±0.05 mm for all centers. The dimensions above should serve as a guideline. Contact JST for details.

## Contact



Model No.	Applicable wire		Insulation O.D. (mm)	Q'ty/reel
	mm <sup>2</sup>	AWG#		
SACHF-003GAC-P0.2	0.05~0.08	30~28	0.5~0.63	40,000

### Material and Finish

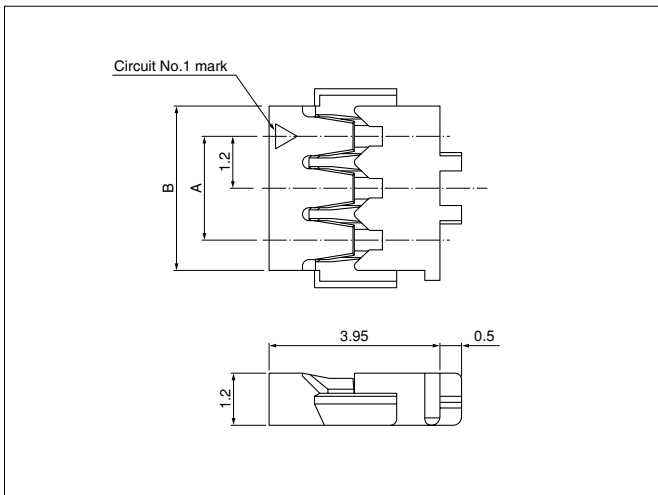
Copper alloy, nickel-undercoated, gold-plated

### RoHS compliance

Contact	Crimping machine	Applicator		
		Crimp applicator	Dies	Crimp applicator with dies
SACHF-003GAC-P0.2	AP-K2N	MKS-L-10-4	MK/SACHF-003-02	APLMK SACHF003-02
		—	—	—

# ACHF CONNECTOR

## Housing



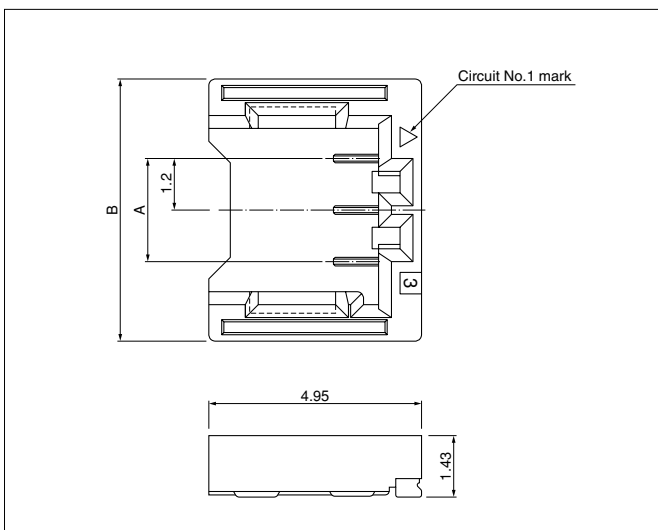
Circuits	Model No.	Dimensions (mm)		Q'ty/ bag
		A	B	
3	<b>ACHFR-03V-H</b>	2.4	3.8	1,000
4	<b>ACHFR-04V-H</b>	3.6	5.0	1,000
6	<b>ACHFR-06V-H</b>	6.0	7.4	1,000

### Material

PBT, UL94V-HB, gray

### RoHS compliance

## Shrouded header



Circuits	Model No.	Dimensions (mm)		Q'ty/ reel
		A	B	
3	<b>BM03B-ACHFKS-GACN-ETF</b>	2.4	6.1	6,000
4	<b>BM04B-ACHFKS-GACN-ETF</b>	3.6	7.3	6,000
6	<b>BM06B-ACHFKS-GACN-ETF</b>	6.0	9.7	6,000

### Material and Finish

Contact: Copper alloy, nickel-undercoated, gold-plated (nickel-stripe)

Housing: Heat resisting resin, UL94V-0, black

Reinforcement: Copper alloy, copper-undercoated, tin-plated (reflow treatment)

**RoHS compliance** This product displays (LF)(SN) on a label.

Note: The products listed above are supplied on embossed-tape.

## X-ON Electronics

Largest Supplier of Electrical and Electronic Components

*Click to view similar products for [jst manufacturer](#):*

Other Similar products are found below :

[GS3-0.5](#) [GS8-6](#) [B5B-XH-A](#) [B5P-VH](#) [B7B-XH-A](#) [B8B-PH-SM4-TB](#) [BM06B-SRSS-TB](#) [FVGS5-6](#) [B2B-ZR-SM4-TF](#) [B34B-PHDSS-B\(LF\)\(SN\)](#) [B3B-ZR-SM4-TF](#) [B4PS-VH](#) [B6B-PH-SM4-TB](#) [B6B-XH-A](#) [B8B-PH-K-S](#) [B8B-ZR-SM4-TF](#) [B8PS-VH](#) [BM04B-SRSS-TB](#) [IDH-KR-12](#) [10HR-4K](#) [WC-ZE2426](#) [WC-691](#) [WC-122](#) [FVDDF5.5-375A \(LF\)](#) [FVGS12-6 \(LF\)](#) [FVWS2-S3.3 \(LF\)](#) [FVWS5.5-5 \(LF\)](#) [B6PS-VH\(LF\)\(SN\)](#) [FNGS12-6](#) [TWE0.5-8](#) [FVGS4-1 \(LF\)](#) [HILR-06VF-1-S](#) [WC-GVH2630](#) [WC-PUD2](#) [S10B-PH-SM4-TB\(LF\)\(SN\)](#) [B2B-EH-A-TW \(LF\)\(SN\)](#) [B4B-EH-A-TW \(LF\)\(SN\)](#) [B4B-XH-TW \(LF\)\(SN\)](#) [B9B-XH-A](#) [BM02B-GHS-TBT](#) [BM03B-GHS-TBT](#) [BM04B-GHS-TBT](#) [BM06B-GHS-TBT](#) [BM10B-GHS-TBT](#) [10FPZ-SM-TF\(LF\)\(SN\)](#) [YRS-852](#) [B04B-VYHSK-M-1](#) [B4B-PH-SM4-GW-TB](#) [B2B-ZR-SM4-TFT\(LF\)\(SN\)](#) [S24B-PADSS-1\(LF\)\(SN\)](#)