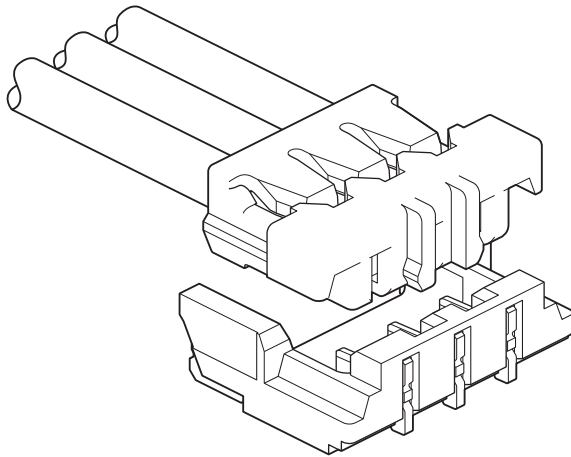


# ADH CONNECTOR

1.3 mm pitch/Wire-to-Board connectors/Crimp style and Mating style



This ADH connector is compact and low profile type, height 1.9 mm and width 4.3 mm, 1.3 mm pitch wire-to-board connector.

- Space saving
- Top entry but side feed type
- Connector for power supply (3 A)

## Specifications

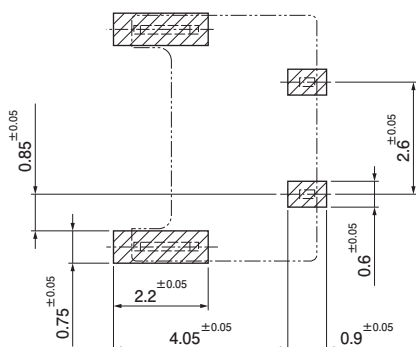
- Current rating: 3 A AC/DC  
(Apply 1 for the 3rd circuit of 5-circuit.) (AWG #26)
  - Voltage rating: 30 V AC/DC
  - Temperature range: -25°C to +85°C  
(including temperature rise in applying electrical current)
  - Contact resistance: Initial value/ 20 mΩ max.  
After environmental tests/ 30 mΩ max.
  - Insulation resistance: 100 MΩ min.
  - Withstanding voltage:  
There shall be no breakdown or flashover while applying 500 VAC for one minute.
  - Applicable wire range: Conductor size/ AWG #28 to AWG #26  
Insulation O.D./  $\phi$  0.63 mm,  $\phi$  0.98 mm
- \* Please refer to the "Handling Precautions for Terminals and Connectors" on our website (listed in the "Technical Documents" column on the Product Information page) before use.
- \* RoHS2 compliance
- \* Dimensional unit: mm
- \* Contact JST for details.

## Standards

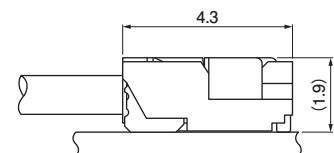
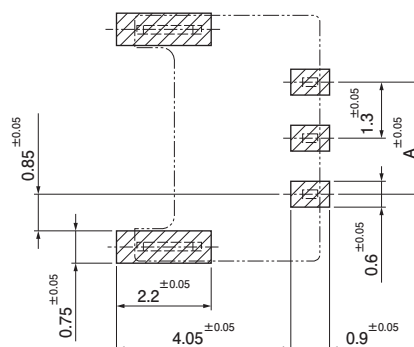
Recognized E60389

## PC board layout and Assembly layout

<2 circuits>



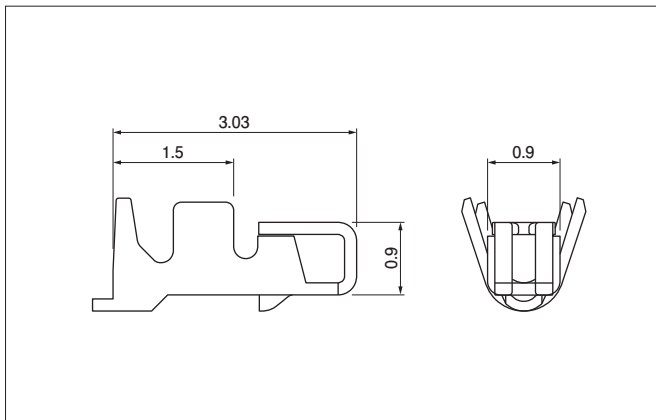
<3, 5 circuits>



Note:1. The PC board layout figure shown is viewed from the connector mounting surface.  
2. Tolerance for the PCB pattern pitch shall be  $\pm 0.05$  and shall not accumulate.  
The above dimensions are reference values. Please contact JST for details.

# ADH CONNECTOR

## Contact



Model No.	Applicable wire range		Insulation O.D. (mm)	Q'ty / reel
	mm <sup>2</sup>	AWG#		
SADH-002G-P0.2	0.14	26	0.98	25,000
SADH-003G-P0.2	0.08	28	0.63	25,000

### Material and Surface finish, etc.

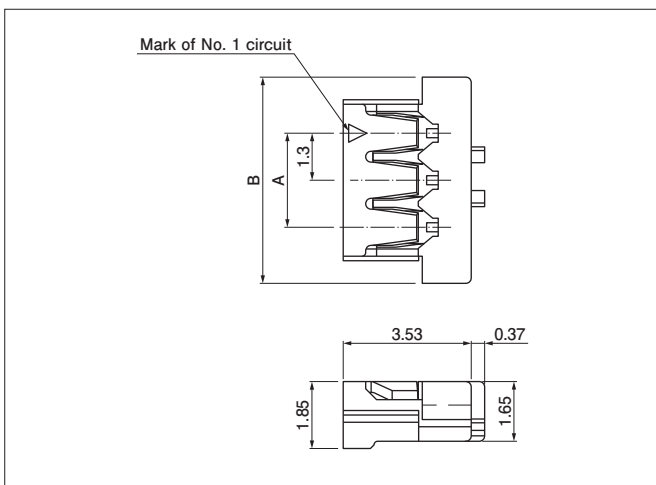
Copper alloy, nickel-undercoated, gold-plated

### Crimping machine

Contact	Crimping machine	Applicator	Crimp applicator with dies
SADH-002G-P0.2	AP-K2N	MKS-L-10-3	APLMK SADH002-02
SADH-003G-P0.2			APLMK SADH003-02

Note: Contact JST for fully automatic crimping applicator.

## Housing

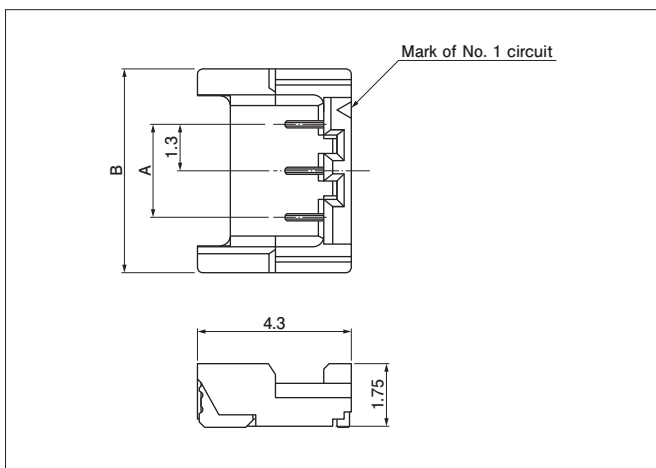


No. of circuits	Model No.	Dimensions (mm)		Q'ty / bag
		A	B	
3	ADHR-03V-H	2.6	5.7	1,000
5	ADHR-05V-S (HF)	5.2	8.3	1,000

### Material and Surface finish, etc.

PBT · UL94V-0

## Header



No. of circuits	Model No.	Dimensions (mm)		Q'ty / reel
		A	B	
*2	BM02(3)B-ADHSS-GAN-ETB	2.6	5.7	5,000
3	BM03B-ADHKS-GAN-ETB	2.6	5.7	5,000
5	BM05B-ADHKS-GAN-ETB (HF)	5.2	8.3	5,000

### Material and Surface finish, etc.

Contact: Copper alloy, nickel-undercoated, gold-plated (nickel-stripe)

Housing: Heat resisting resin, UL94V-0

Reinforcement: Copper alloy, copper-undercoated, tin-plated

- Note: 1. This product displays (LF)(SN) on a label. (2, 3 circuits)  
 2. This product is supplied on embossed tape and reel packaging.  
 3. \*2-circuit product: Removing center pin from 3-circuit product.

# ADH CONNECTOR

## Model number allocation

### Contact

**S ADH - 002 G - P 0.2**

Form: S...Strip form

Series name

Applicable wire range: 002...AWG #26, 003...AWG #28

Surface finish: G...Nickel-undercoated gold-plated

Material: P...Copper alloy

Terminal size

### Housing

**ADH R - 03 V - H (HF)**

Series name

Part name: Receptacle

No. of circuits: 3, 5

Flammability: V...UL94V-0

Color: H...Gray, S...Natural

Halogen-free: HF...Yes

### Header

**BM 03 B - ADH K S - GAN - ETB (HF)**

PCB mounting style:  
BM...SMT top entry type

No. of circuits: 2 to 3, 5

Part name: Header

Series name

Color: K...Black, S...White

Sub model number

Surface finish: GAN...Nickel-undercoated gold-plated (nickel stripe)

Packaging style: ETB...Antistatic embossed-taping

Halogen-free: HF...Yes