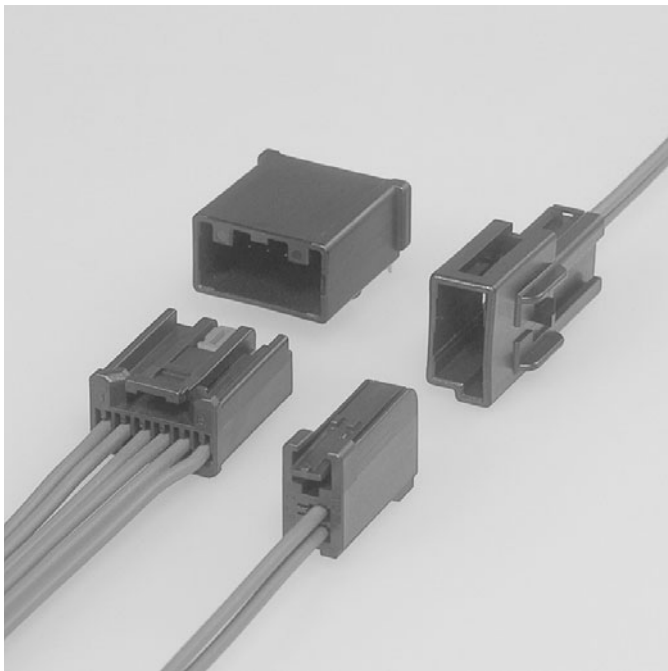


AIT-II CONNECTOR

Board-to-wire/Wire-to-wire



0.64 unsealed low-profile connector series for use in a wide range of automotive applications.

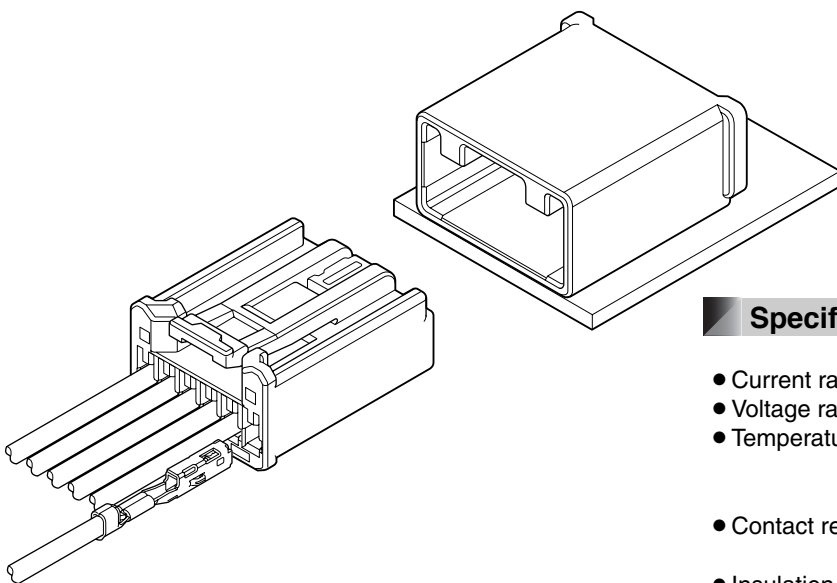
Features

● Ultra Low Profile Connector

Over 30% Height Reduction as compared to the Standard USCAR Footprints.

● Variations

There are multiple varieties of AIT-II Connectors which can satisfy your needs.

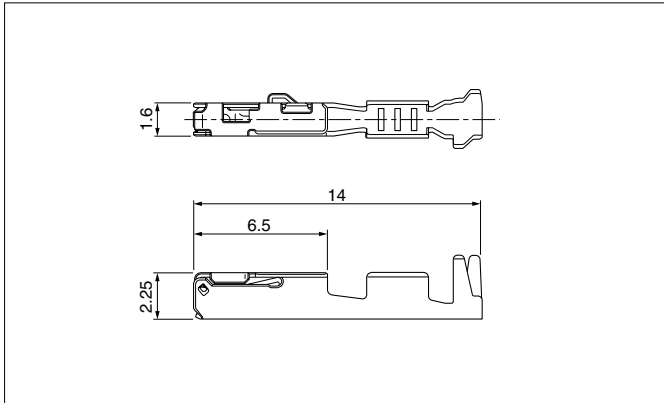


Specifications

- Current rating: 5A DC max.
- Voltage rating: 14V DC
- Temperature range: -40°C to +105°C
(including temperature rise in applying electrical current)
- Contact resistance: Initial value/15mΩ max.
After environmental testing/15mΩ max.
- Insulation resistance: 100MΩ min.
- Applicable wire: SAE/ AVSS/ CAVS/ FLRY
0.3mm² to 0.85mm²

- * Compliant with ELV/RoHS.
- * Contact JST for details.

Female terminal

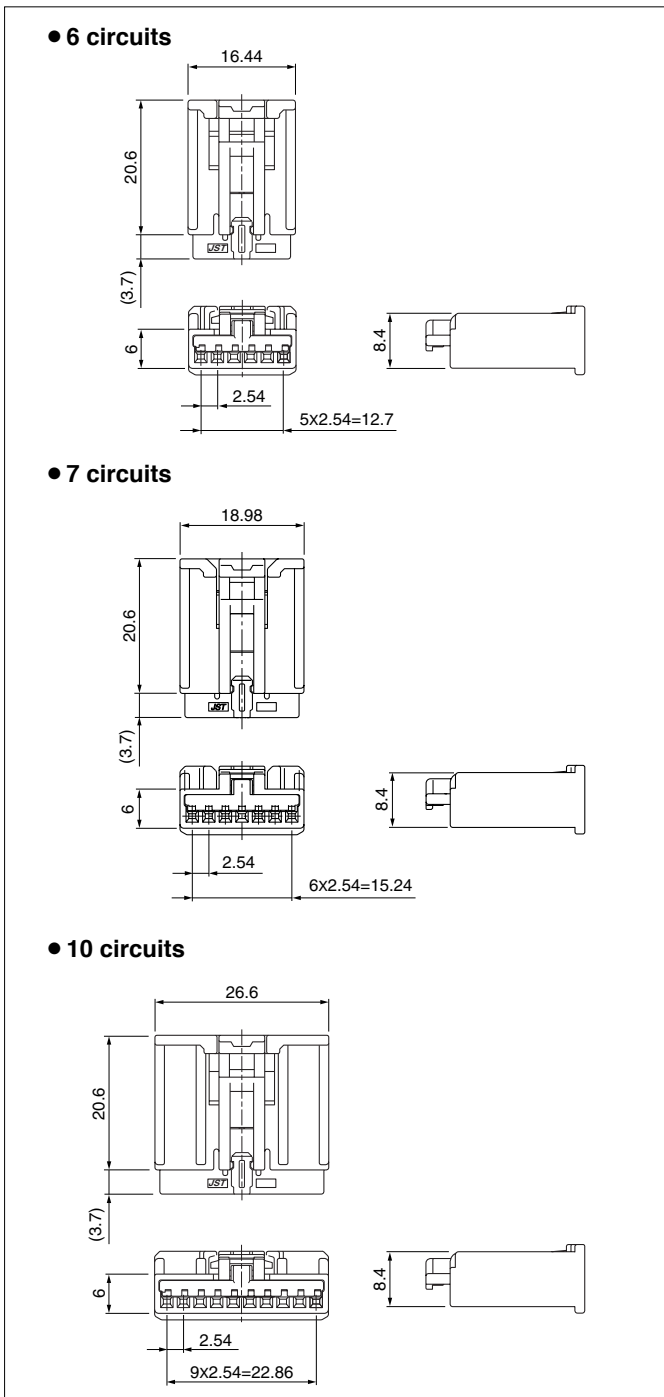


| Model No. | Applicable wire range | | Q'ty/reel |
|------------------|------------------------------|----------------------|-----------|
| | Conductor (mm ²) | Insulation O.D. (mm) | |
| ①SAIT-A03T-M064 | 0.3 to 0.5 | ≤1.9 | 6,500 |
| ①SAIT-A02T-M064 | 0.75 to 0.85 | ≤1.9 | 6,500 |
| ②SAIT-A03GF-M064 | 0.3 to 0.5 | ≤1.9 | 6,500 |
| ②SAIT-A02GF-M064 | 0.75 to 0.85 | ≤1.9 | 6,500 |

Material and Finish

- ① Copper alloy, tin-plated (reflow treatment)
- ② Copper alloy, nickel-undercoated,
Contact area; gold-plated
Barrel area; tin-plated

Female connector (Single row)



| Circuits | Model No. | Q'ty/box | Housing Color |
|----------|---------------|----------|-----------------|
| 6 | AIT2PB-06-1AK | 350 | Black |
| | AIT2PB-06-1BH | 350 | Gray |
| | AIT2PB-06-1FS | 350 | Natural (White) |
| 7 | AIT2PB-07-1BH | 300 | Gray |
| | AIT2PB-07-1FS | 300 | Natural (White) |
| 10 | AIT2PB-10-1AK | 200 | Black |
| | AIT2PB-10-1BH | 200 | Gray |
| | AIT2PB-10-1DM | 200 | Green |
| | AIT2PB-10-1FS | 200 | Natural (White) |
| | AIT2PB-10-1AD | 200 | Orange |

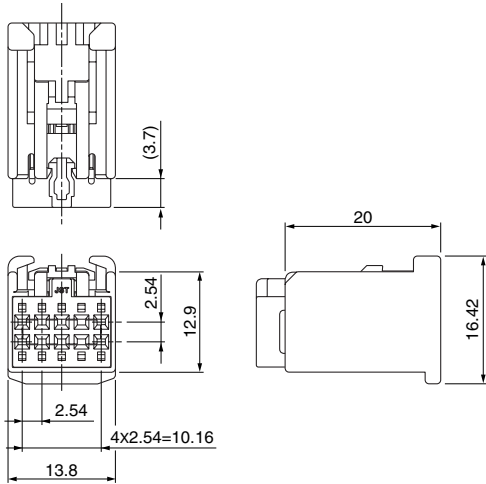
Material

Housing: Glass-filled PBT
TPA: Glass-filled PBT, red

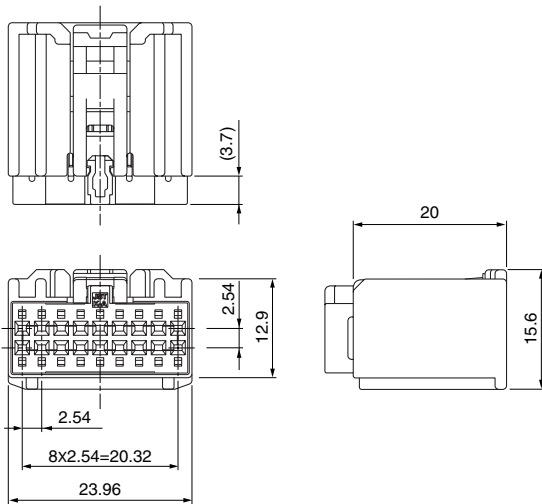
AIT-II CONNECTOR

Female connector (Dual row)

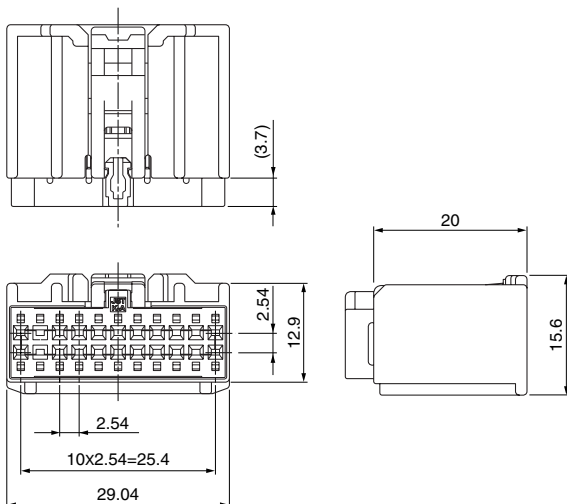
• 10 circuits



• 18 circuits



• 22 circuits



| Circuits | Model No. | Q'ty/box | Housing Color | TPA Color |
|----------|----------------|----------|-----------------|-----------------|
| 10 | AIT2PB-10P-2AK | 200 | Black | Natural (White) |
| | AIT2PB-10P-2BH | 200 | Gray | Natural (White) |
| 18 | AIT2PB-18-2AD | 120 | Orange | Black |
| | AIT2PB-18-2BD | 120 | Orange | Natural (White) |
| | AIT2PB-18-2AK | 120 | Black | Natural (White) |
| | AIT2PB-18-2BH | 120 | Gray | Natural (White) |
| | AIT2PB-18-2DM | 120 | Green | Natural (White) |
| | AIT2PB-18-2FS | 120 | Natural (White) | Black |
| 22 | AIT2PB-22-2AK | 100 | Black | Natural (White) |
| | AIT2PB-22-2BH | 100 | Gray | Natural (White) |
| | AIT2PB-22-2CN | 100 | Brown | Natural (White) |
| | AIT2PB-22-2FS | 100 | Natural (White) | Black |

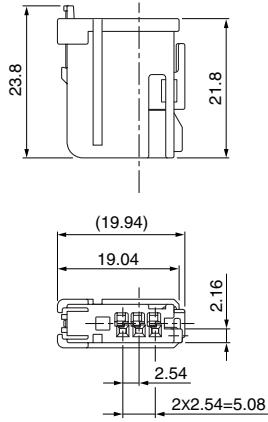
Material

Housing: Glass-filled PBT
TPA: Glass-filled PBT

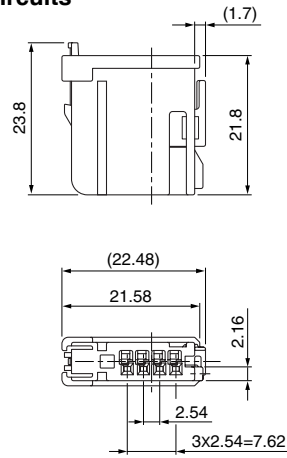
Female connector (Side Lock)

Side-Load TPA

● 3 circuits

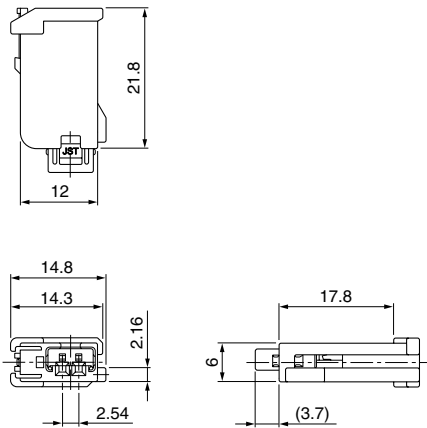


● 4 circuits

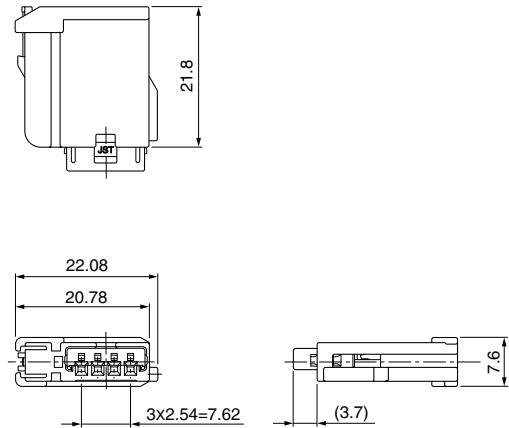


Front-Load TPA

● 2 circuits



● 4 circuits



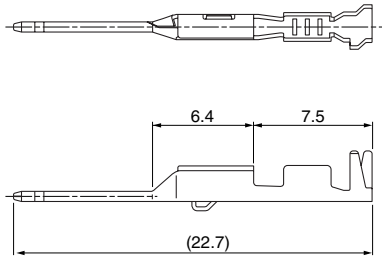
| Circuits | TPA Location | Model No. | Q'ty/box | Housing Color |
|----------|--------------|-----------------------|----------|-----------------|
| 2 | Front-Load | AIT2PB-02G-1AK | 400 | Black |
| | | AIT2PB-02A-1FS | 400 | Natural (White) |
| 3 | Side-Load | AIT2PB-03B-1AK | 400 | Black |
| 4 | Front-Load | AIT2PB-04G-1AK | 400 | Black |
| | Side-Load | AIT2PB-04B-1AK | 400 | Black |

Material

Housing: Glass-filled PBT
TPA: Glass-filled PBT, red

AIT-II CONNECTOR

Male terminal



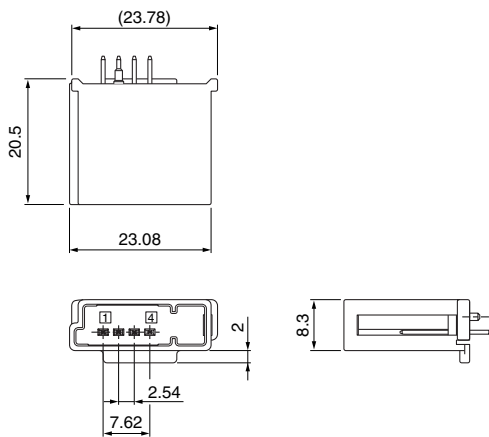
| Model No. | Applicable wire range | | Q'ty/reel |
|------------------|------------------------------|----------------------|-----------|
| | Conductor (mm ²) | Insulation O.D. (mm) | |
| ①SAITW-A03T-064 | 0.3 to 0.5 | ≤1.9 | 7,000 |
| ①SAITW-A02T-064 | 0.75 to 0.85 | ≤1.9 | 7,000 |
| ②SAITW-A03GF-064 | 0.3 to 0.5 | ≤1.9 | 7,000 |
| ②SAITW-A02GF-064 | 0.75 to 0.85 | ≤1.9 | 7,000 |

Material and Finish

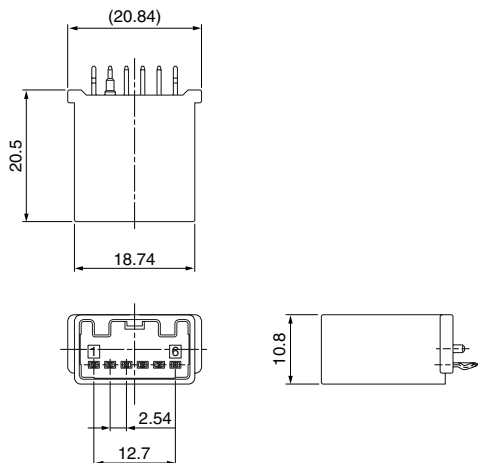
- ①Brass, tin-plated (reflow treatment)
- ②Brass, nickel-undercoated, Contact area: gold-plated
Barrel area: tin-plated

Male connector (Top entry type)

● 4 circuits



● 6 circuits



| Circuits | Model No. | Q'ty/box | Housing Color |
|----------|-------------------|----------|---------------|
| 4 | ①B04BA-AIT2-1AK | 108 | Black |
| 6 | ②B06BA-AIT2-1AK-K | 120 | Black |

Material and Finish

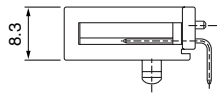
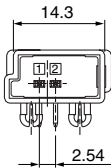
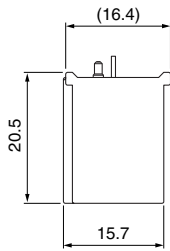
- Housing: ①Glass-filled nylon
- ②Glass-filled PBT

Pin: Brass, tin-plated

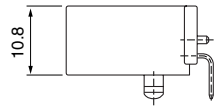
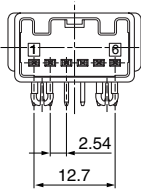
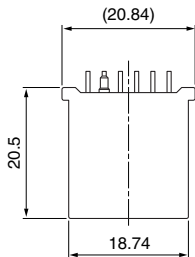
Male connector (Side entry type)

Single row

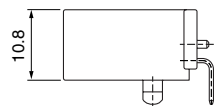
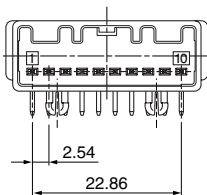
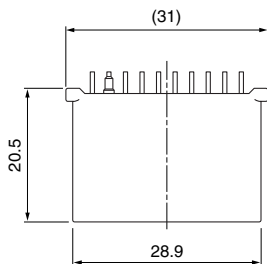
• 2 circuits



• 6 circuits



• 10 circuits



| Circuits | Model No. | Q'ty/box | Housing Color |
|----------|------------------|----------|-----------------|
| 2 | ①S02BA-AIT2-1AK | 96 | Black |
| | ①S02BA-AIT2-1FS | | Natural (White) |
| 6 | ①S06B-AIT2-1AK | 80 | Black |
| | ①S06B-AIT2-1FS | | Natural (White) |
| | ①S06B1-AIT2-1FS | | Natural (White) |
| | ②S06B1-AIT2G-1AK | | Black |
| 10 | ②S10B-AIT2G-1AK | 72 | Black |
| | ②S10B-AIT2G-1AD | | Orange |

Material and Finish

Housing: Glass-filled PBT

Pin: ①Brass, tin-plated

②Brass, tin-plated, nickel-undercoated,

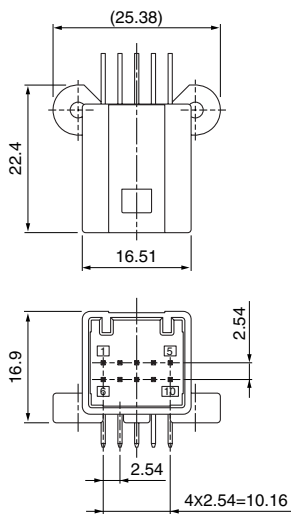
Contact area: gold-plated

AIT-II CONNECTOR

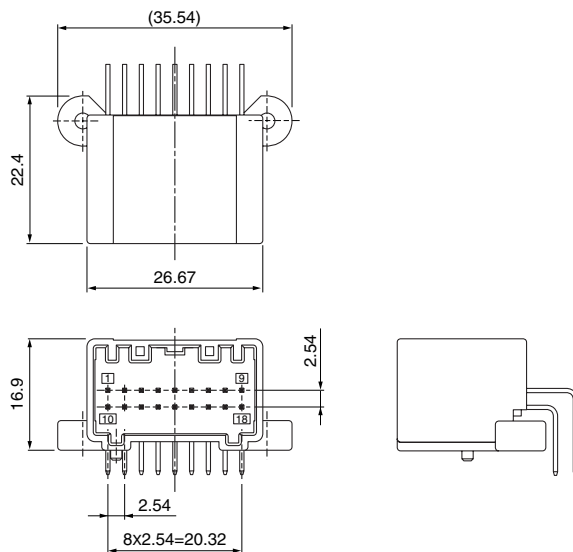
Male connector (Side entry type)

Dual row

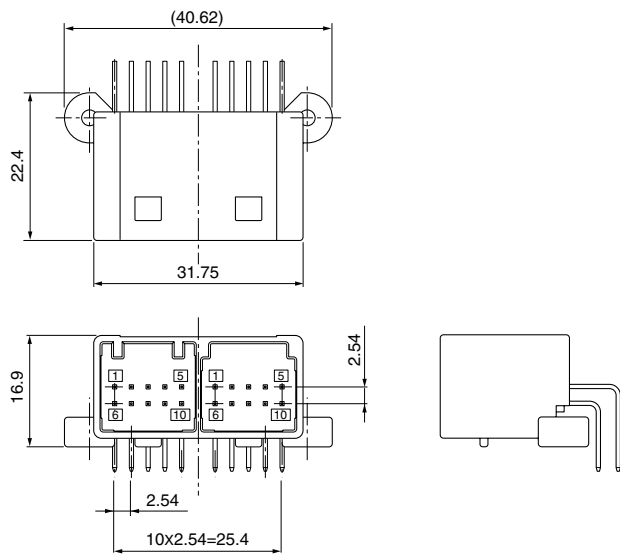
• 10 circuits



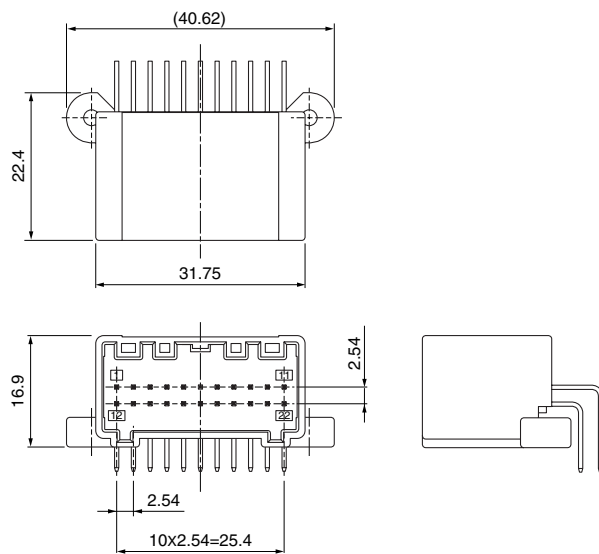
• 18 circuits



• 20 circuits



• 22 circuits



| Circuits | Model No. | Q'ty/box | Housing Color |
|----------|--------------------------|----------|-----------------|
| 10 | ① S10B-AIT2-2AK (LF)(SN) | 224 | Black |
| | ② S10B-AIT2G-2AK | | Black |
| 18 | ② S18B-AIT2G-2AK | 160 | Gray |
| | ② S18B-AIT2G-2BH | | Green |
| | ② S18B-AIT2G-2DM | | Natural (White) |
| | ② S18B-AIT2G-2FS | | Orange |
| | ② S18B-AIT2G-2AD | | Orange |
| 20 | ② S20B-AIT2G-2A2BK | 128 | Black |
| | ② S22B-AIT2G-2AK | | Black |
| 22 | ② S22B-AIT2G-2BH | 128 | Gray |
| | ② S22B-AIT2G-2CN | | Brown |
| | ② S22B-AIT2G-2FS | | Natural (White) |
| | | | |

Material and Finish

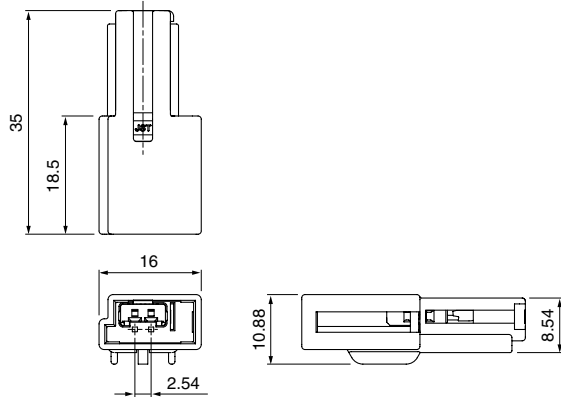
Housing: Glass-filled PBT

Pin: ① Brass, tin-plated

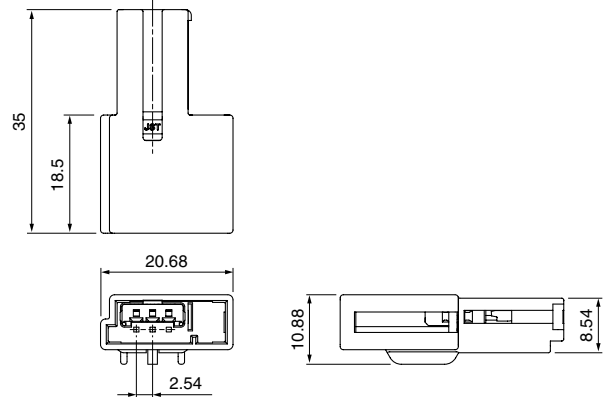
② Brass, tin-plated, Contact area: gold-plated

Male connector (Wire-to-wire)

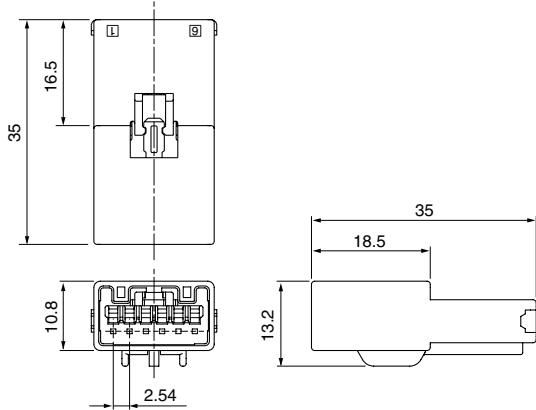
● 2 circuits



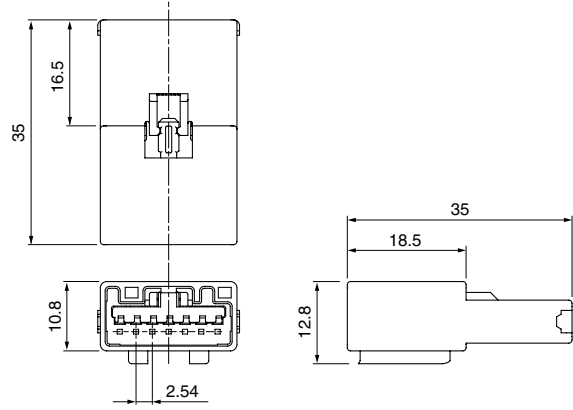
● 3 circuits



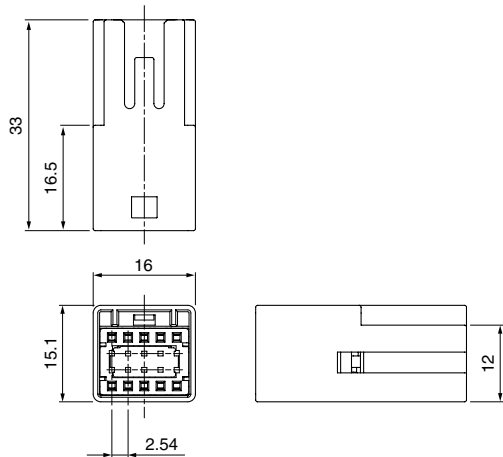
● 6 circuits



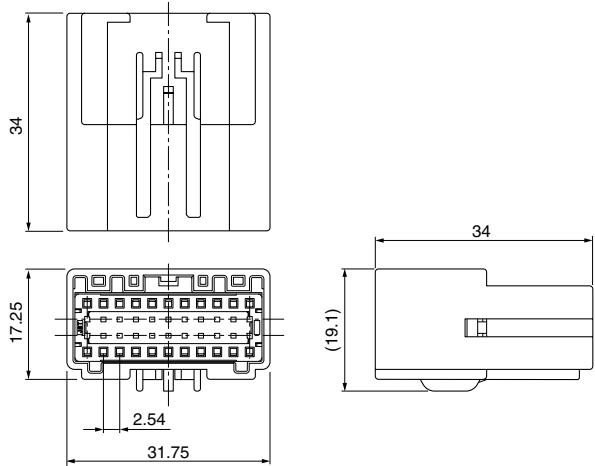
● 7 circuits



● 10 circuits (Dual row)



● 22 circuits (Dual row)



| Circuits | Model No. | Q'ty/box | Housing Color | TPA Color |
|----------|------------------------|----------|-----------------|-----------------|
| 2 | AIT2WSB-02A-1AK | 300 | Black | Red |
| 3 | AIT2WSB-03A-1AK | 200 | Black | Red |
| 6 | AIT2WSB-06-1AK | 150 | Black | Red |
| | AIT2WSB-06-1FS | 150 | Natural (White) | Red |
| 7 | AIT2WSB-07-1FS | 150 | Natural (White) | Red |
| | AIT2WSB-07-1FK | 150 | Black | Red |
| 10 | AIT2WSB-10A-2AK | 150 | Black | Natural (White) |
| | AIT2WSB-10A-2BH | 150 | Gray | Natural (White) |
| 22 | AIT2WSB-22-2AK | 60 | Black | Natural |

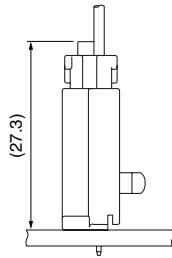
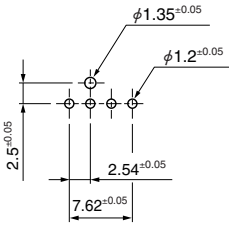
Material

Housing: Glass-filled PBT
TPA: Glass-filled PBT

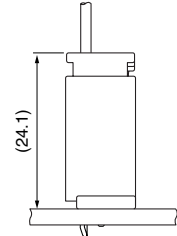
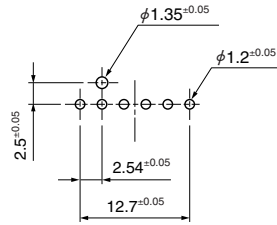
PC board layout, Assembly layout

Top entry type

● 4 circuits



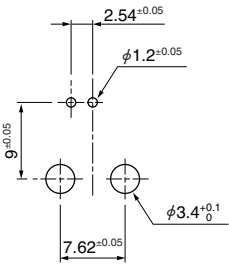
● 6 circuits



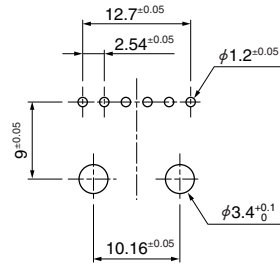
Side entry type

Single row

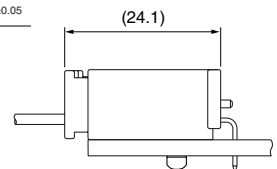
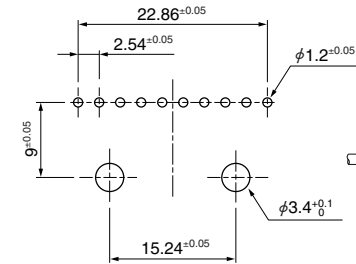
● 2 circuits



● 6 circuits

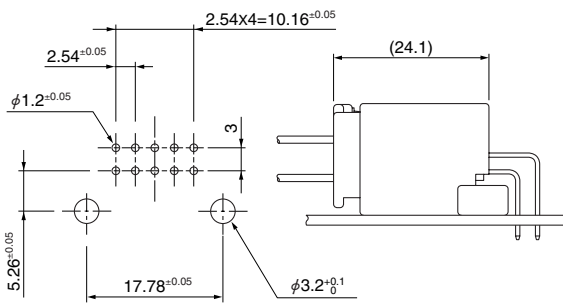


● 10 circuits

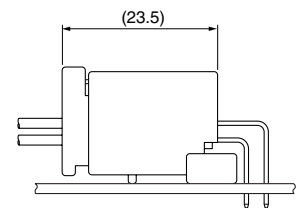
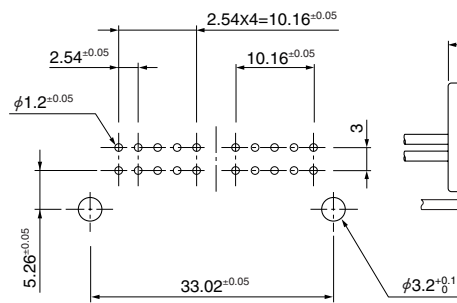


Dual row

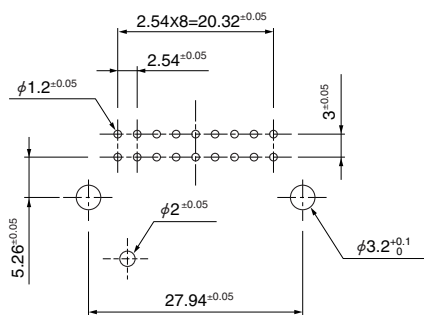
● 10 circuits



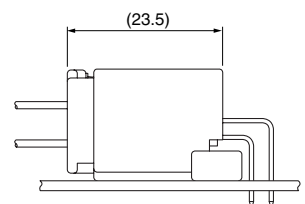
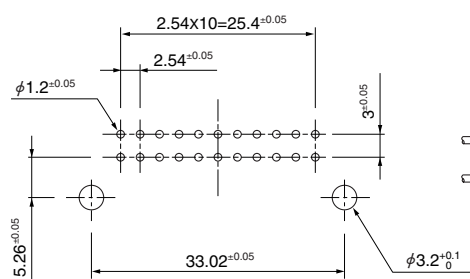
● 20 circuits



● 18 circuits



● 22 circuits



Note: 1. Tolerances are non-cumulative.

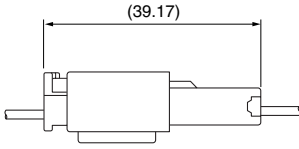
2. Hole dimensions differ according to the type of PC board and piercing method. The dimensions above should serve as guideline. Contact JST for details.

Assembly layout

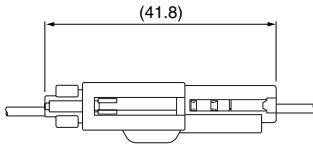
Wire-to-wire type

● Single row

AIT2WSB-()-1()

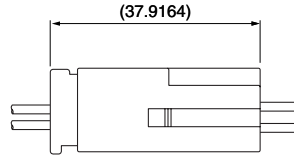


AIT2WSB-()A-1()

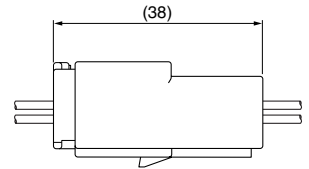


● Dual row

AIT2WSB-()A-2()



AIT2WSB-22-2AK



Crimping machine, Applicator

| Strip terminal | Crimping machine | Crimp applicator MKS-L | |
|------------------|------------------|------------------------|----------------------------|
| | | Dies | Crimp applicator with dies |
| SAIT-A03()-M064 | AP-K2N | MK/SAIT-A03-064 | APLMK SAIT-A03-064 |
| SAIT-A02()-M064 | | MK/SAIT-A02-064 | APLMK SAIT-A02-064 |
| SAITW-A03()-064 | | MK/SAITW-A03-064 | APLMK SAITW-A03-064 |
| SAITW-A02()-064 | | MK/SAITW-A02-064 | APLMK SAITW-A02-064 |

Note: When crimping operation is conducted using an applicator and die set other than the above, JST cannot guarantee the performance of the terminal.

X-ON Electronics

Largest Supplier of Electrical and Electronic Components

Click to view similar products for [Automotive Connectors](#) category:

Click to view products by [JST](#) manufacturer:

Other Similar products are found below :

[003-018-000](#) [60403001](#) [60993906-B](#) [M902-2131](#) [M902-2161](#) [M902-2344](#) [72.330.1035.1](#) [73.353.4028.0](#) [F119300-B](#) [F166900](#) [F258300-B](#)
[F358300-B](#) [F407400](#) [F444110](#) [F487000](#) [F509500B-B](#) [827153-1](#) [8N1515-32-24P](#) [9-1326729-8](#) [925474-1](#) [928905-1](#) [964562-4](#) [968782-1](#)
[GT17SA-8DS-HU](#) [98891-1012](#) [98947-1016](#) [12004147](#) [12004475-L](#) [12010290](#) [12015454](#) [12020219-B](#) [12041318-B](#) [12052225-L](#) [12052466](#)
[12064869](#) [12004327-B](#) [12015308](#) [12015384](#) [12015909](#) [1-21030-1](#) [12041254](#) [12041318](#) [12047946-B](#) [12047957](#) [12047957-L](#) [12059473](#)
[12066261](#) [12110546](#) [12110546-B](#) [12131792](#)