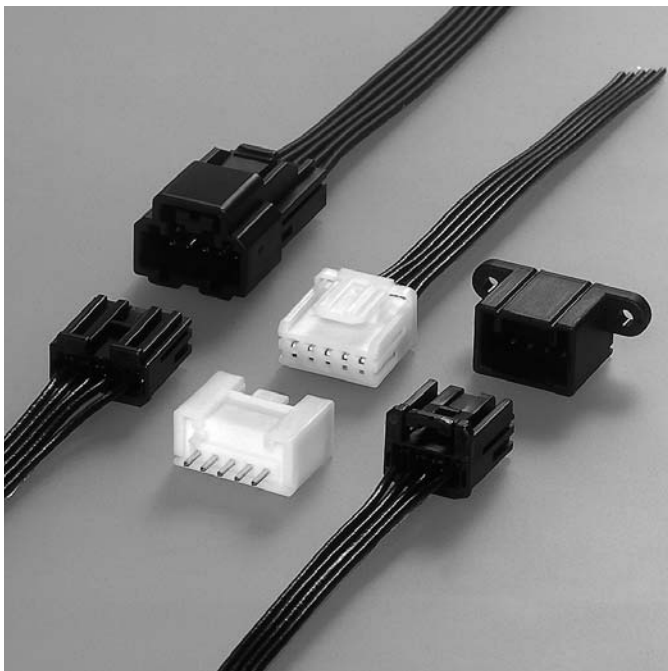


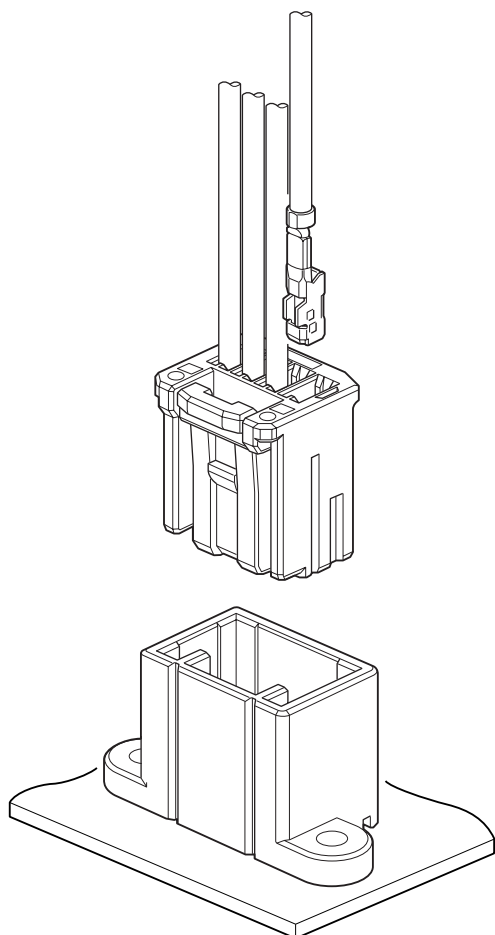
# HCM CONNECTOR

Board-to-wire/Wire-to-wire



0.64 unsealed, low profile, miniaturized connectors for automobile applications.

Meets or exceeds the major performance specifications for automotive electrical connector systems.



## Features

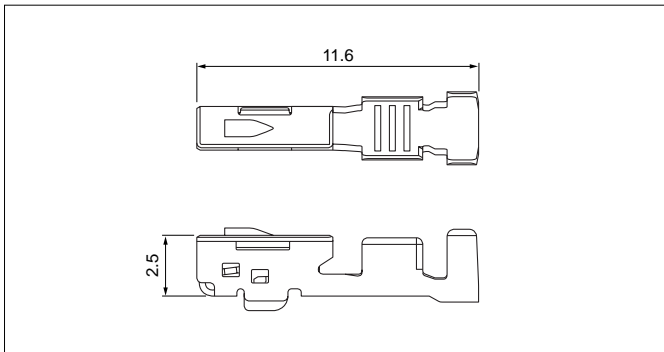
- Miniaturized Connectors, Compliant with the Automotive Performance Specifications
- Boxed Female Terminal with Triple Over-stress Protection Mechanism
- Accept 0.64 or 1.0 mm Male Blade
- Optional Connector Position Assurance (CPA) Design
- Terminal Independent Secondary Lock
- Variations  
Multiple circuits sizes and circuit board locking mechanisms available to suit your needs.

## Specifications

- Current rating: 5 A DC
- Voltage rating: 14 V DC
- Temperature range: -40°C to +100°C  
(including temperature rise in applying electrical current)
- Contact resistance: Initial value/ 20 mΩ max.  
After environmental tests/ 20 mΩ max.
- Insulation resistance: 20 MΩ min.
- Applicable wire: SAE/ AVSS/ CAVS  
0.3 mm<sup>2</sup> to 0.5 mm<sup>2</sup>  
: UL Cable  
0.21 mm<sup>2</sup>

- \* Compliant with ELV/RoHS.
- \* Contact JST for details.

## Female terminal



Model No.	Applicable wire range		Q'ty/reel
	Conductor (mm <sup>2</sup> )	Insulation O.D. (mm)	
<b>SHCM-A03T-P025</b>	0.3 to 0.5	1.4 to 1.9	5,000
<b>SHCM-A04T-P025</b>	0.21	1.5	5,000

Material and Finish

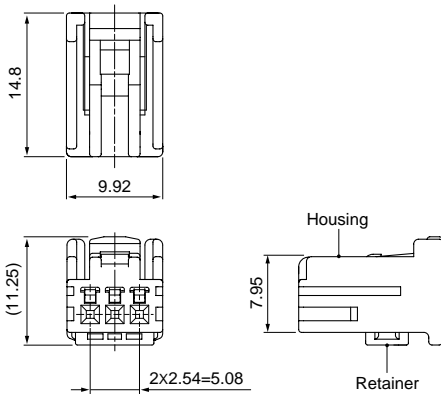
Copper alloy, tin-plated

## Female connector

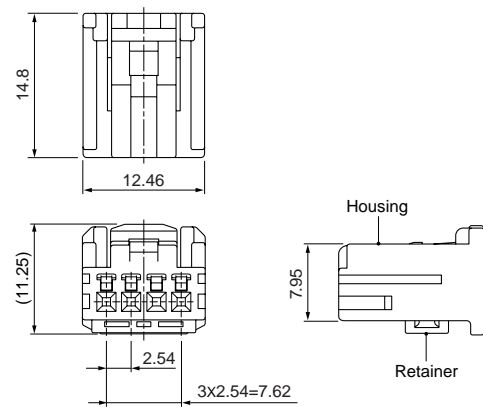
### Single row

#### Inner lock type

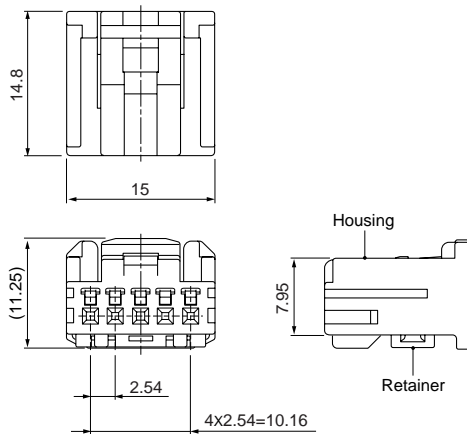
##### • 3 circuits



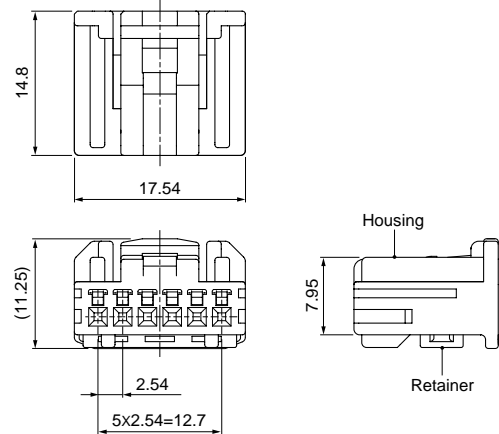
##### • 4 circuits



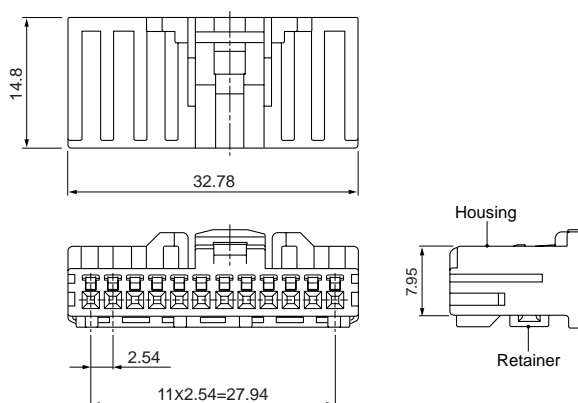
##### • 5 circuits



##### • 6 circuits



##### • 12 circuits

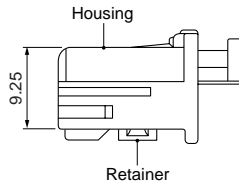
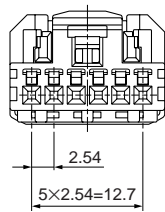
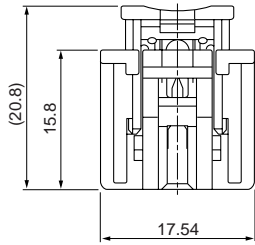


## Female connector

### Single row

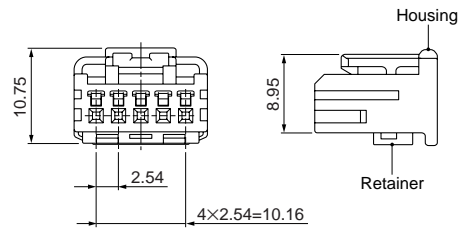
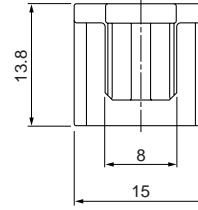
#### Inner lock type

- 6 circuits (W/CPA type)



#### Outer lock type

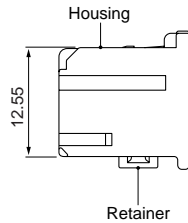
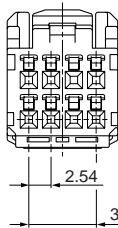
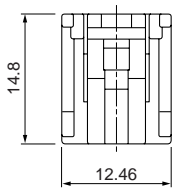
- 5 circuits



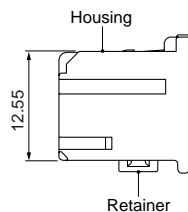
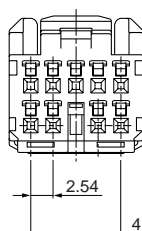
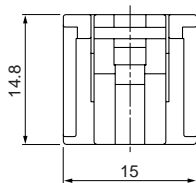
### Dual row

#### Inner lock type

- 8 circuits



- 9 circuits



### Single row

Type	Circuits	Model No.	Q'ty/box	Housing Color
Inner lock	3	HCMPB-03-K	800	Black
		HCMPB-03-S	800	White
	4	HCMPB-04-K	600	Black
		HCMPB-04-H	600	Gray
		HCMPB-04-S	600	Natural (White)
	5	HCMPB-A05-K	8,000	Black
		HCMPB-A05-S	500	Natural (White)
	6	HCMPB-06-K	400	Black
		HCMPB-06-S	400	Natural (White)
	12	HCMPB-12-K	200	Black
*12	HCMPB-A12-K	200	Black	
Inner lock (W/CPA)	6	HCMPB-C06A-K	4,500	Black
		HCMPB-C06A-S	4,500	Natural (White)
Outer lock	5	HCMPB-05-K	500	Black
		HCMPB-05-S	500	Natural (White)

#### Material and Finish

Housing: PBT

Retainer: PBT, Blue

CPA (Only for 6 circuits with CPA): Glass-filled PBT, Red

\*Additional keying

### Dual row

Circuits	Model No.	Q'ty/box	Housing Color
8	HCMDPB-08-K	400	Black
	HCMDPB-08-S	400	Natural (White)
9	HCMDPB-09-K	400	Black

#### Material and Finish

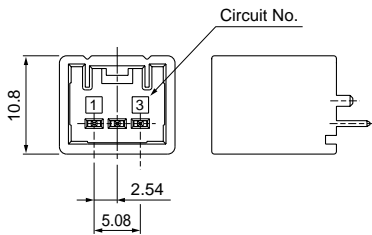
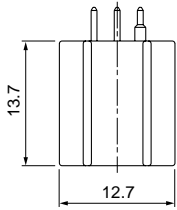
Housing: PBT

Retainer: PBT, Blue

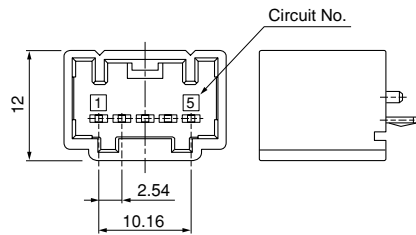
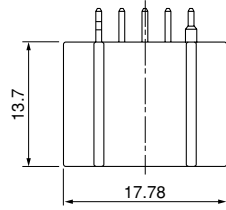
## Male connector (Top entry type)

### Inner lock type

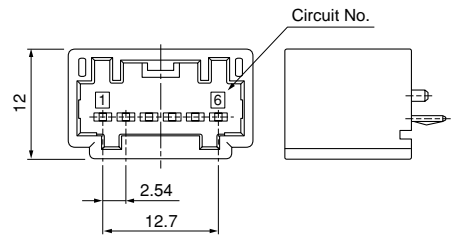
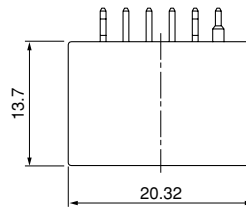
● 3 circuits



● 5 circuits

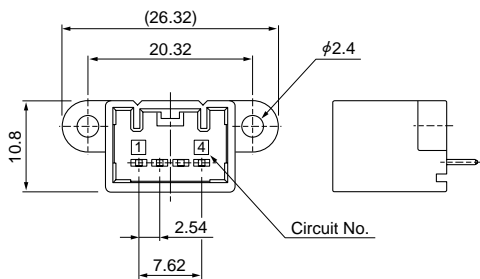
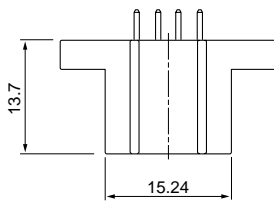


● 6 circuits

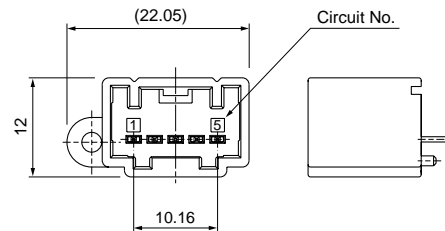
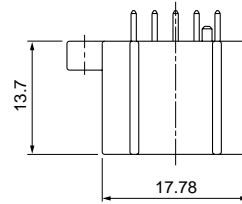


### Screw hole

● 4 circuits

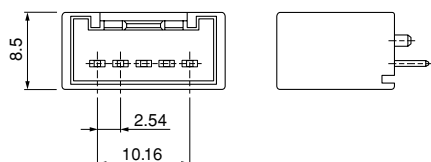
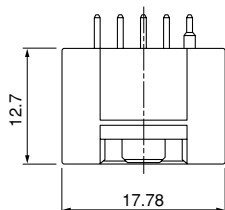


● 5 circuits



### Outer lock type

● 5 circuits



Type	Circuits	Model No.	Q'ty/box	Housing Color	
Inner lock	3	B03B-HCMKS	480	Black	
		B03B-HCMSS	480	Natural (White)	
	5	B05B-AHCMKK	288	Black	
		B05B-AHCMKS	288	Natural (White)	
		6	B06B-HCMKK	240	Black
			B06B-HCMKS	240	Natural (White)
Inner lock (Screw hole)	4	B04B-HCMKS-R	240	Black	
		B04B-HCMKS-RA	240	Black	
		B04B-HCMKS-2R	240	Black	
	5	B05B2-AHCMKS-A	270	Black	
Outer lock	5	B05B-HCMKS-R	432	Black	
		B05B-HCMSS-R	432	Natural (White)	

Material and Finish

Housing: Glass-filled PBT

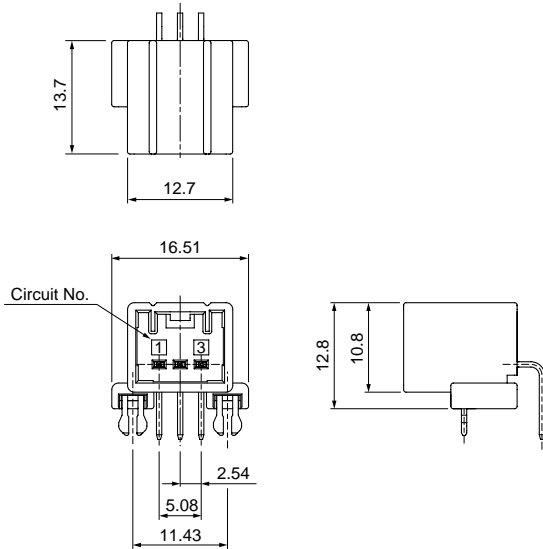
Pin: Brass, tin-plated

# HCM CONNECTOR

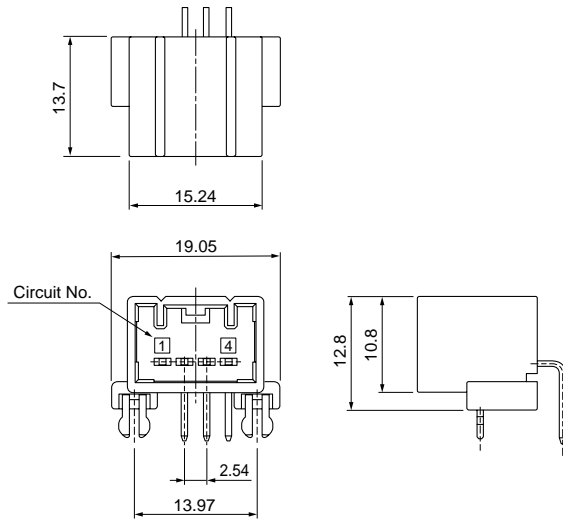
## Male connector (Side entry type)

### Reinforcement type

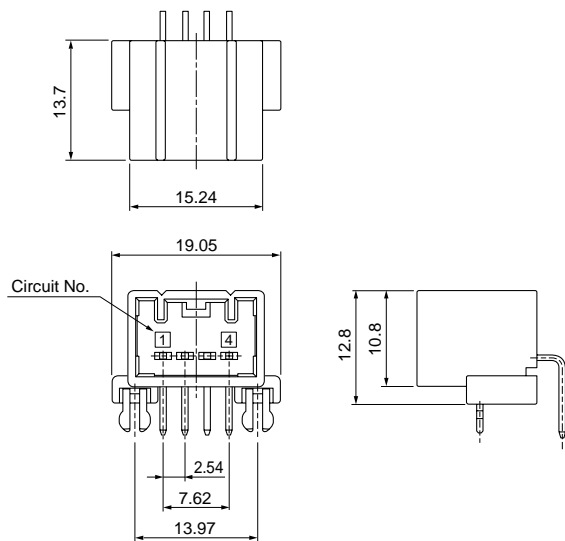
#### ● 3 circuits (S03B1-HCMKS)



#### ● 3 circuits (S04B1A-HCMKS)



#### ● 4 circuits

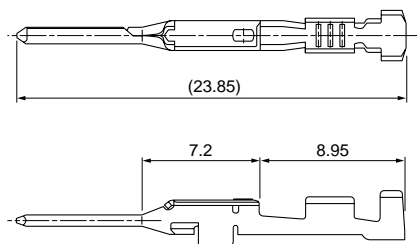


Circuits	Model No.	Q'ty/box	Housing Color
3	S03B1-HCMKS	180	Black
	S04B1A-HCMKS	165	Black
4	S04B1-HCMKS	165	Black
	S04B1-HCMSS	165	Natural (White)

#### Material and Finish

Housing: Glass-filled PBT  
Pin: Brass, tin-plated

## Male terminal



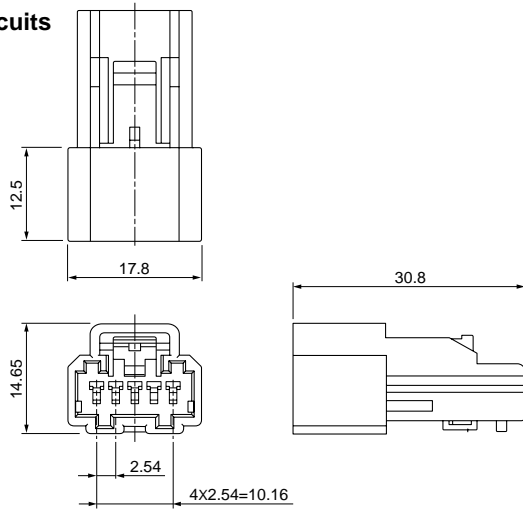
Model No.	Applicable wire range		Q'ty/reel
	Conductor (mm <sup>2</sup> )	Insulation O.D. (mm)	
SHCMW-A03T-040	0.3 to 0.5	≤1.9	5,000

#### Material and Finish

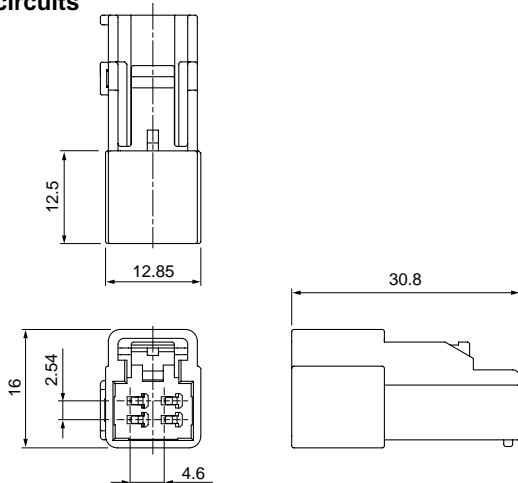
Brass, tin-plated (reflow treatment)

## Male connector (Wire-to-wire)

### Single row ● 5 circuits

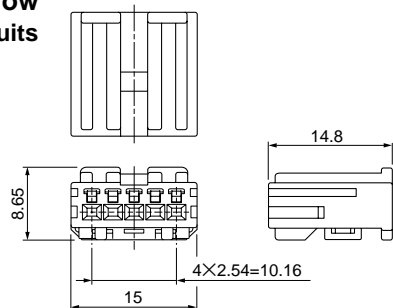


### Dual row ● 4 circuits

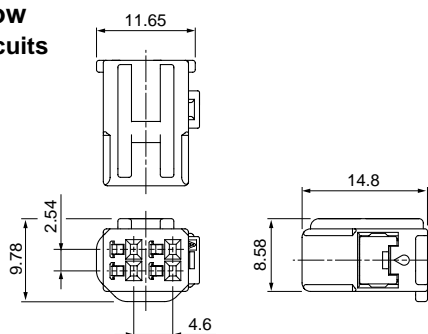


## Female connector

### Single row ● 5 circuits



### Dual row ● 4 circuits



Type	Circuits	Model No.	Q'ty/box	Housing Color
Single row	5	<b>HCMWSB-05-K</b>	200	Black
Dual row	4	<b>HCMDWSB-04-S</b>	250	Natural (White)

#### Material and Finish

Housing: PBT  
Retainer: PBT, Blue

Type	Circuits	Model No.	Q'ty/box	Housing Color
Single row	5	<b>HCMWPB-05-K</b>	500	Black
Dual row	4	<b>HCMDWPB-04-S</b>	13,000	Natural (White)
		<b>HCMDWPB-04-K</b>	13,000	Black

#### Material and Finish

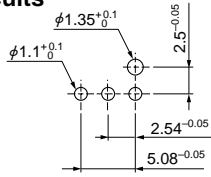
Housing: PBT  
Retainer: PBT, Blue

# HCM CONNECTOR

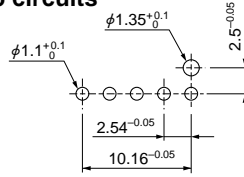
## PC board layout

### Top entry type

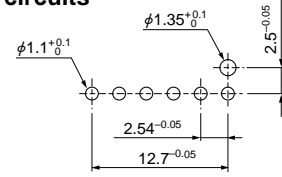
#### ● 3 circuits



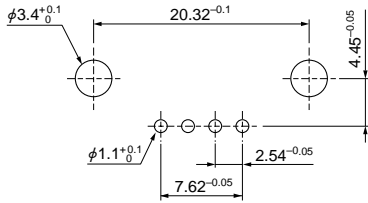
#### ● 5 circuits



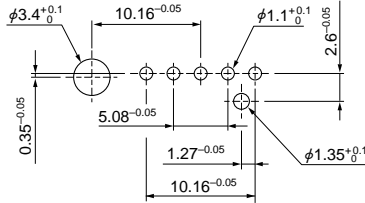
#### ● 6 circuits



#### ● 4 circuits (with screw hole)

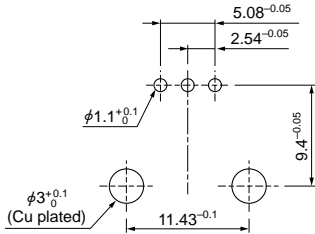


#### ● 5 circuits (with screw hole)

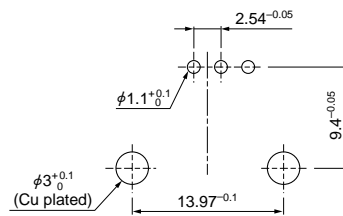


### Side entry type (with reinforcement)

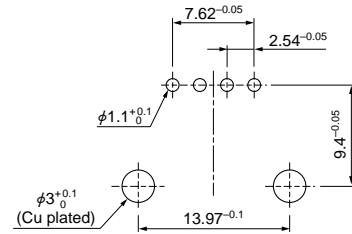
#### ● 3 circuits



#### ● 3 circuits (with 4 circuits housing)



#### ● 4 circuits



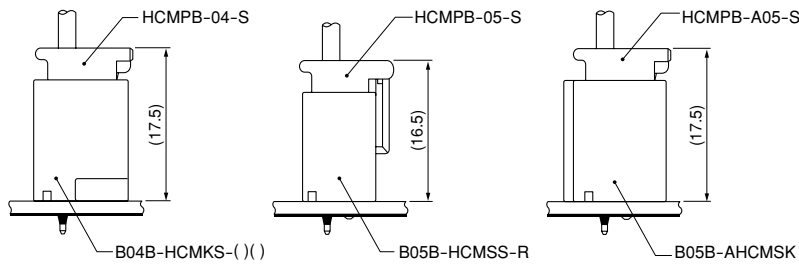
Note: 1. Tolerances are non-cumulative.

2. Hole dimensions differ according to the type of PC board and piercing method.

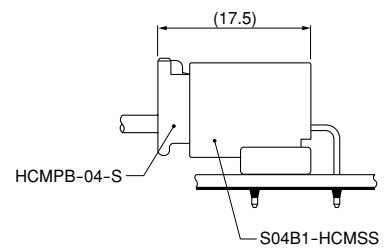
The dimensions above should serve as a guideline. Contact JST for details.

## Assembly layout

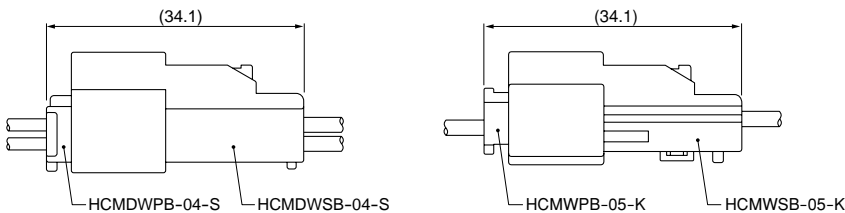
### Top entry type



### Side entry type



### Wire-to-wire type



## Crimping machine, Applicator

Strip terminal	Crimping machine	Crimp applicator MKS-L	
		Dies	Crimp applicator with dies
SHCM-A03T-P025	AP-K2N	MK/SHCM-A03-025	APL MK SHCM-A03-025
SHCM-A04T-P025		MK/SHCM-A04-025	APL MK SHCM-A04-025
SHCMW-A03T-040		MK/SHCMW-A03-040	APL MK SHCMW-A03-040

Note: When crimping operation is conducted using an applicator and die set other than the above, JST cannot guarantee the performance of the terminal.

## X-ON Electronics

Largest Supplier of Electrical and Electronic Components

*Click to view similar products for [Headers & Wire Housings](#) category:*

*Click to view products by [JST](#) manufacturer:*

Other Similar products are found below :

[95000-104TRLF](#) [10135584-644402LF](#) [DF62W-EP2022PCA](#) [95000-106TRLF](#) [DF62W-2022SCA](#) [DF62W-EP2022PC](#) [2203348](#) [DF62W-2022SC](#) [1084018](#) [1029039](#) [1084017](#) [802-10-012-10-002000](#) [1112640](#) [1112639](#) [891-007-9SS-BST1T](#) [000-34000](#) [0008550134](#) [0009482033](#) [0009507031](#) [57102-F02-18ULF](#) [57102-S06-03LF](#) [57202-S52-04LF](#) [PCN6-15S-2.5E](#) [0039019024](#) [58102-G61-06LF](#) [582553-1](#) [0009485154](#) [0009508121](#) [0022285053](#) [0050291907](#) [018731A](#) [LY20-4P-DT1-P1E-BR](#) [02.125.8002.8](#) [60101931](#) [60598-1 \(Cut Strip\)](#) [M1625-3R/100](#) [61062-3](#) [61082-181009](#) [CSU011177004](#) [636-1427](#) [638009-1](#) [641938-9](#) [641991-4](#) [644168-1](#) [644827-2](#) [647662-1](#) [65039-019ELF](#) [65692-001LF](#) [65781-018](#) [65781-047](#)