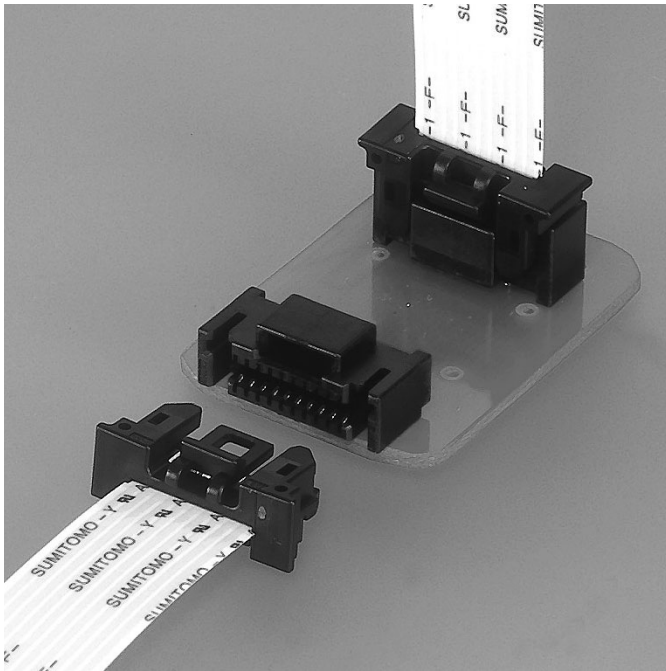
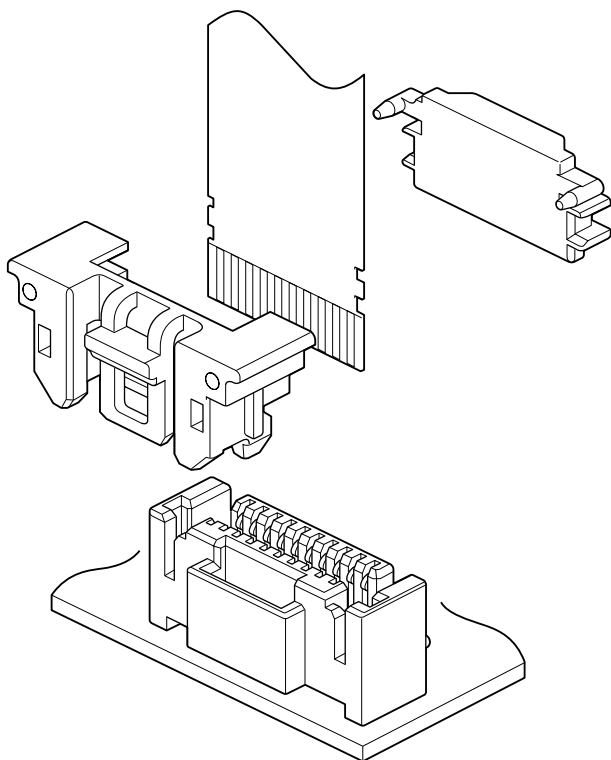


FOX CONNECTOR

Connectors for FPC and FFC



The FOX connector for FFC achieves high operability on the automobile assembly process. In addition, locking structure is provided on the FFC side to improve reliability of the connector.



Features

●Reliable locking structure

Locking structure is provided on the FFC side to prevent incomplete mating and improve FFC retention force greatly.

●High resistance to scooping (kojiri)

This connector has high resistance to scooping (kojiri) insertion and withdrawal as well as general connectors for automobile by mounting a plug housing and a retainer on the FFC side.

●Temporary board retention feature

The connector can be temporarily held on a printed circuit board by clinching the contact solder tail. It prevents lifting of the connector.

●Two types of connections

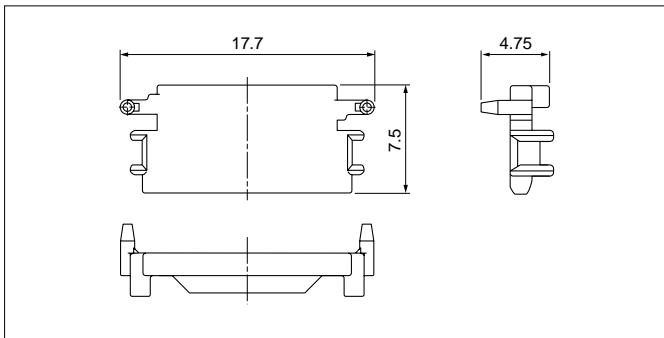
This connector is available in top and side entry type depending on its mounting designs.

Specifications

- Current rating: 1.5A AC, DC
- Voltage rating: 12V AC, DC
- Temperature range: -40°C to +90°C
(including temperature rise in applying electrical current)
- Contact resistance: Initial value/10mΩ max.
After environmental testing/30mΩ max.
- Insulation resistance: 100MΩ min.
- Withstanding voltage: 500V AC/minute
- Applicable FFC: Lead material/Tin-plated annealed copper foil
Lead pitch/1.25mm
Lead width/0.8mm
Mating part thickness/0.3±0.05mm
- Applicable PC board: Thickness/1.6mm
Hole size/0.8±0.1mm (Through-hole)

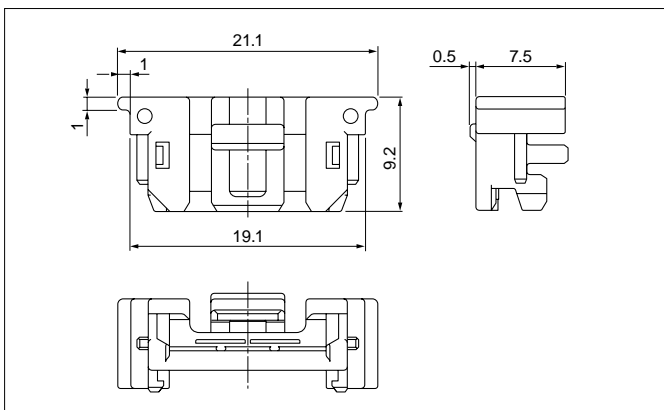
- * Compliant with ELV/RoHS.
- * Contact JST for details.

Plug housing



Circuits	Model No.	Q'ty/box
10	FOXP-10K	500
Material		
Glass-filled PPS, black		

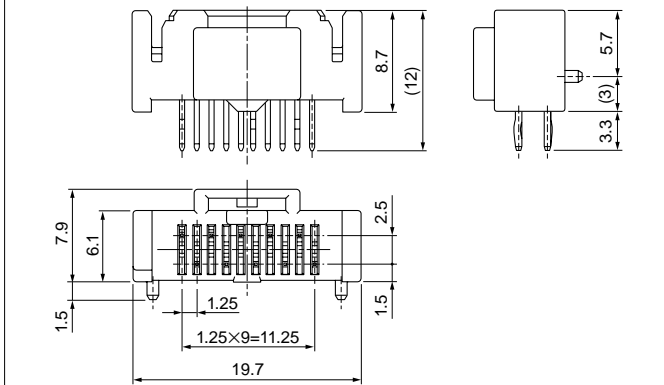
Retainer



Circuits	Model No.	Q'ty/bag
10	FOXS-10K	500
Material		
Glass-filled PPS, black		

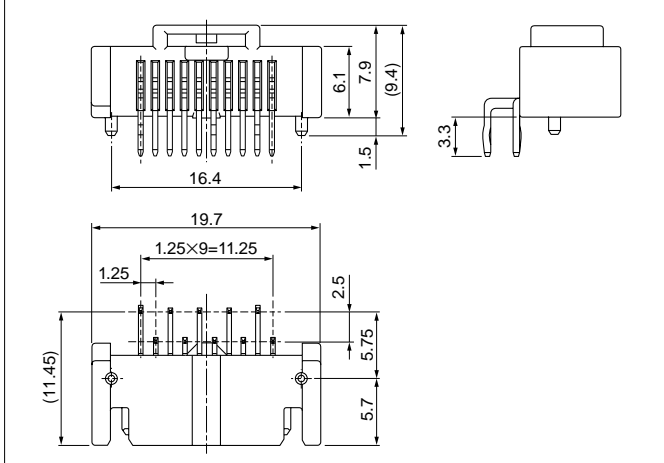
Header

Top entry type



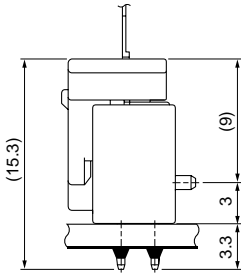
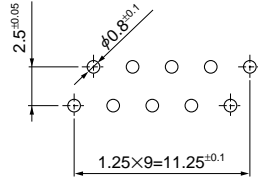
Circuits	Model No.		Q'ty/box
	Top entry type	Side entry type	
10	B10-FOXK-LF	S10-FOXK-LF	231
Material and Finish			
Terminal: Copper alloy, copper-undercoated, tin-plated (reflow treatment)			
Housing: Glass-filled PPS, black			

Side entry type

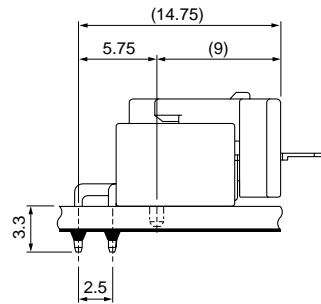
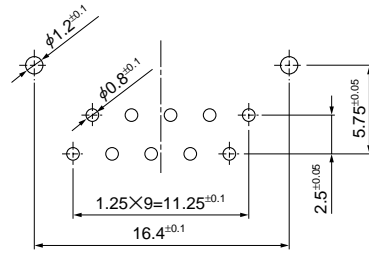


PC board layout, Assembly layout

Top entry type

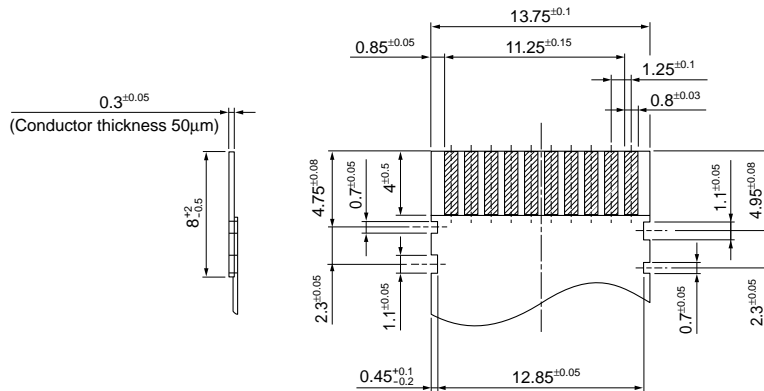


Side entry type



- Note: 1. Tolerances are non-cumulative: ± 0.05 mm for all centers.
 2. Hole dimensions differ according to the type of PC board and piercing method.
 The dimensions above should serve as guideline. Contact JST for details.

Lead section dimensions of FPC



X-ON Electronics

Largest Supplier of Electrical and Electronic Components

Click to view similar products for [FFC & FPC Connectors](#) category:

Click to view products by [JST manufacturer](#):

Other Similar products are found below :

[FPH-1422G](#) [FPH-1602G](#) [K-FC20](#) [FH29B-80S-0.2SHW\(99\)](#) [FPH-2022G](#) [AYF332735](#) [52610-1075](#) [52610-1275](#) [52610-1934](#) [501864-3091-TR225](#) [086222026001800](#) [52610-0675](#) [62684-36210E9ALF](#) [52746-1671-TR250](#) [10051922-2810EHLF](#) [6-520415-9](#) [SFV6R-1STE9HLF](#) [XF3M-2915-1B-R100](#) [1658549-1](#) [AYF534065TA](#) [AYF351525](#) [086212040340800+](#) [67000-014LF](#) [67000-004LF](#) [006207341915000+](#) [DS1020-19RT1D](#) [67000-003LF](#) [67000-011LF](#) [67000-016LF](#) [HFW14R-2STE9LF](#) [SFV32R-2STBE9HLF](#) [SFW12R-5STE9LF](#) [SFW18R-1STAE9LF](#) [SFW4R-5STE9LF](#) [52807-0430](#) [046283021002868+](#) [THD1015-8CL-SN](#) [67000-006LF](#) [502250-8027](#) [104267-9617](#) [66987-011LF](#) [AYF362535](#) [F0501-T-50-20T-R](#) [F1003-ZV-12-25T-R](#) [HFW8S-2STAE1HLF](#) [67000-008LF](#) [67000-012LF](#) [ECC576069EU](#) [F1002-B-20-20T-R](#) [HFW15S-2STAE1HLF](#)