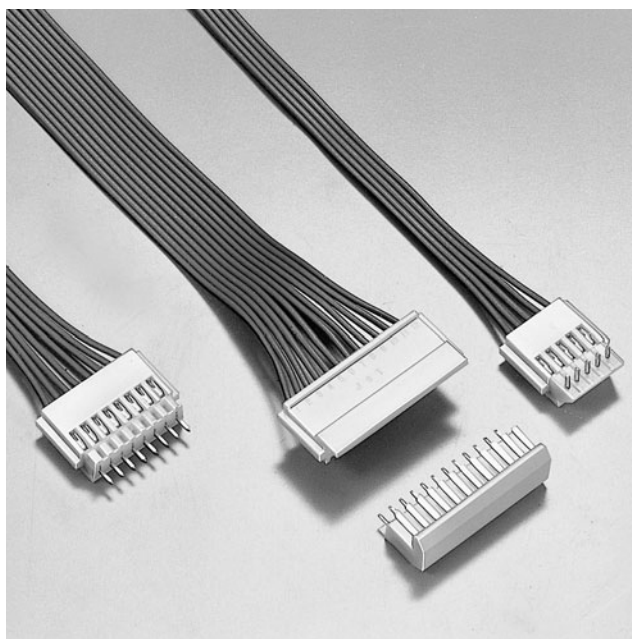
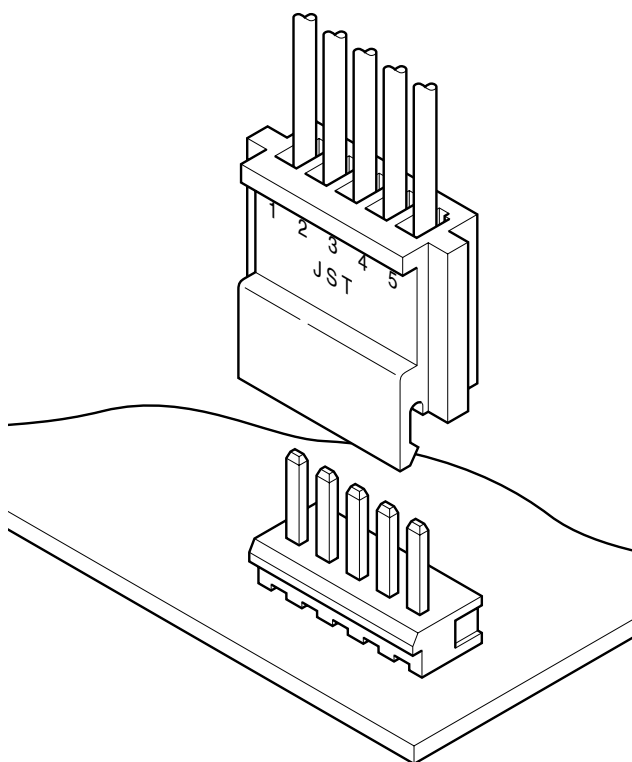


NH CONNECTOR

Disconnectable Crimp style connectors



This 2.5mm pitch connector is used to connect wires to printed circuit boards. The header is available in three configurations: top, side, and bottom entry. This allows the wires to be perpendicular or parallel to the printed circuit board in any direction.



Features

• Superior folded beam construction

- (1) This sturdy construction withstands repeated stress, resists permanent deformation, and offers a very long service life.
- (2) High reliability is ensured whether the contact pressure is high or low.
- (3) This contact design has a large tolerance for variations in mating post thickness and resists deformation when pried.

• Double-sided contact

- (1) The receptacle contact has a protected entry which eliminates contact damage caused by mismatching.
- (2) It provides high contact pressure, is free from abnormal stress, and maintains continuity at all times.
- (3) It has an extremely long service life due to its folded beam design.

• Wide, sturdy post

The post has a large cross-sectional area to resist prying during insertion into printed circuit boards and mating with connector housings.

• Molded-in header

The posts are molded into the insulator to provide stability when mounted on printed circuit boards. This also prevents flux from entering the connector during soldering.

Specifications

- Current rating: 3A AC, DC (AWG #22)
- Voltage rating: 250V AC, DC
- Temperature range: -25°C to +85°C
(including temperature rise in applying electrical current)
- Contact resistance: Initial value/ 15m Ω max.
After environmental testing/ 20m Ω max.
- Insulation resistance: 500M Ω min.
- Withstanding voltage: 1,500V AC/minute
- Applicable wire: AWG #30 to #22
- Applicable PC board thickness: 1.6mm

- * Compliant with RoHS.
- * Refer to "General Instruction and Notice when using Terminals and Connectors" at the end of this catalog.
- * Contact JST for details.

Standards

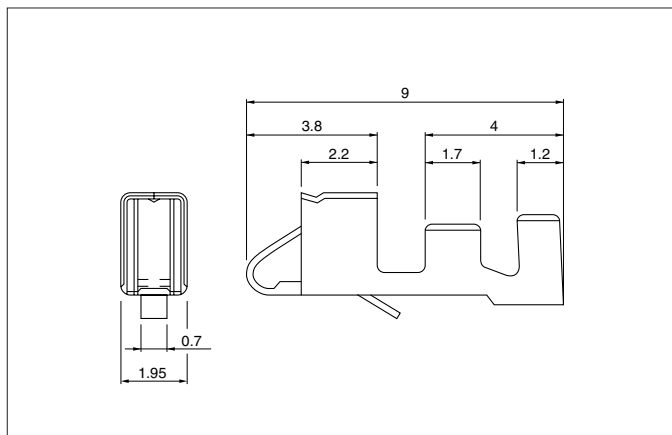
Recognized E60389

Certified LR20812

J50168090

NH CONNECTOR

Contact



| Model No. | Applicable wire | | | Q'ty / reel |
|-----------------------|-----------------|----------|----------------------|-------------|
| | mm ² | AWG # | Insulation O.D. (mm) | |
| SHF-001T-0.8BS | 0.08 to 0.33 | 28 to 22 | 1.2 to 1.7 | 5,000 |
| SHF-002T-0.8BS | 0.05 to 0.08 | 30 to 28 | 0.9 to 1.2 | |

Material and Finish

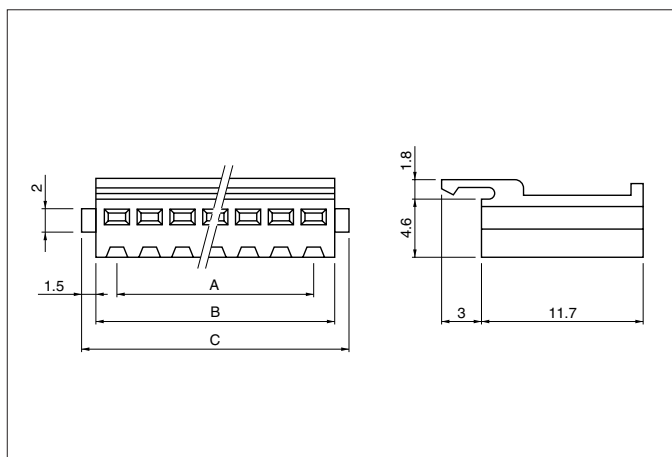
Phosphor bronze, tin-plated (reflow treatment)

RoHS compliance

Note:

1. Contact JST for gold-plated products.
2. Also contact JST if you require shielded wires, thin wires or other special wires.
3. Contact JST for brass products.

Housing



| Circuits | Model No. | Dimensions (mm) | | | Q'ty / bag |
|----------|--------------------|-----------------|------|------|------------|
| | | A | B | C | |
| 2 | H 2P-SHF-AA | 2.5 | 5.7 | 8.7 | 1,000 |
| 3 | H 3P-SHF-AA | 5.0 | 8.2 | 11.2 | 1,000 |
| 4 | H 4P-SHF-AA | 7.5 | 10.7 | 13.7 | 1,000 |
| 5 | H 5P-SHF-AA | 10.0 | 13.2 | 16.2 | 1,000 |
| 6 | H 6P-SHF-AA | 12.5 | 15.7 | 18.7 | 1,000 |
| 7 | H 7P-SHF-AA | 15.0 | 18.2 | 21.2 | 500 |
| 8 | H 8P-SHF-AA | 17.5 | 20.7 | 23.7 | 500 |
| 9 | H 9P-SHF-AA | 20.0 | 23.2 | 26.2 | 500 |
| 10 | H10P-SHF-AA | 22.5 | 25.7 | 28.7 | 500 |
| 11 | H11P-SHF-AA | 25.0 | 28.2 | 31.2 | 500 |
| 12 | H12P-SHF-AA | 27.5 | 30.7 | 33.7 | 500 |
| 13 | H13P-SHF-AA | 30.0 | 33.2 | 36.2 | 500 |
| 14 | H14P-SHF-AA | 32.5 | 35.7 | 38.7 | 500 |
| 15 | H15P-SHF-AA | 35.0 | 38.2 | 41.2 | 200 |
| 16 | H16P-SHF-AA | 37.5 | 40.7 | 43.7 | 200 |
| 18 | H18P-SHF-AA | 42.5 | 45.7 | 48.7 | 200 |
| 20 | H20P-SHF-AA | 47.5 | 50.7 | 53.7 | 200 |
| 21 | H21P-SHF-AA | 50.0 | 53.2 | 56.2 | 200 |
| 22 | H22P-SHF-AA | 52.5 | 55.7 | 58.7 | 200 |
| 24 | H24P-SHF-AA | 57.5 | 60.7 | 63.7 | 200 |
| 25 | H25P-SHF-AA | 60.0 | 63.2 | 66.2 | 200 |

Material

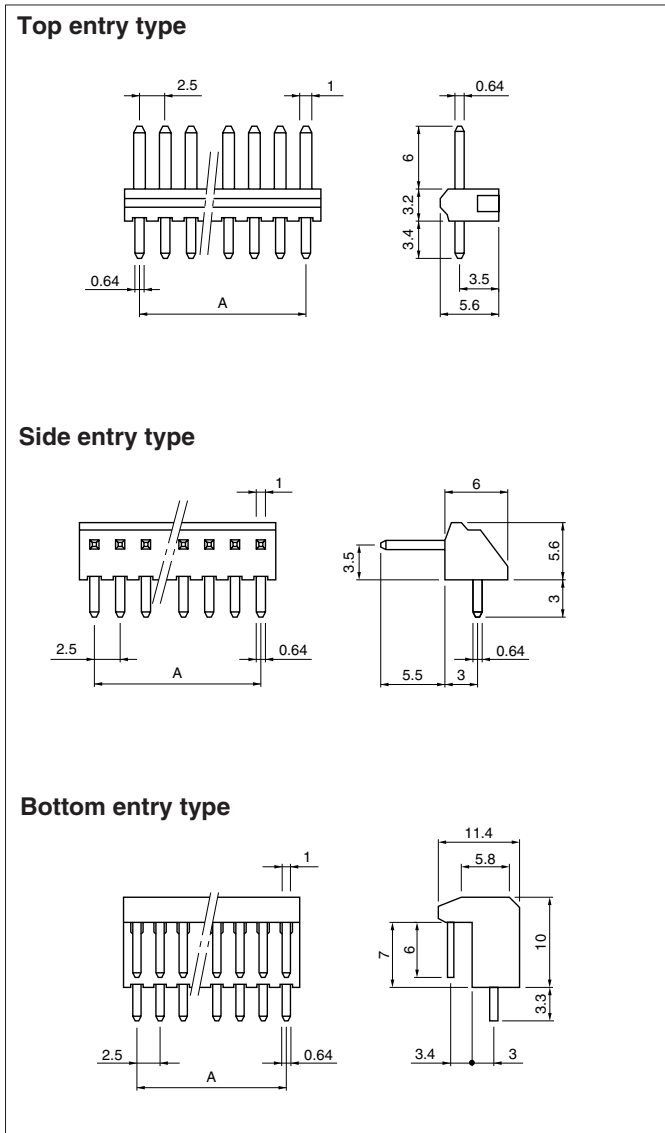
PA 6, UL94V-0, natural (white)

RoHS compliance

<For reference> As the color identification, the following alphabet shall be put in the underlined part. For availability, delivery and minimum order quantity, contact JST.

- ex. **H2P-SHF-AA-oo**
 (blank)...natural (white)
 K...black R...red TR...tomato red E...blue M...green
 O...orange N...brown

Header



| Circuits | Model No. | | | Dimensions A (mm) | Q'ty / box | | |
|----------|----------------|-----------------|-------------------|-------------------|----------------|-----------------|-------------------|
| | Top entry type | Side entry type | Bottom entry type | | Top entry type | Side entry type | Bottom entry type |
| 2 | B 2P-SHF-1AA | BS 2P-SHF-1AA | BE 2P-SHF-1AA | 2.5 | 1,000 | 1,000 | 250 |
| 3 | B 3P-SHF-1AA | BS 3P-SHF-1AA | BE 3P-SHF-1AA | 5.0 | 1,000 | 1,000 | 250 |
| 4 | B 4P-SHF-1AA | BS 4P-SHF-1AA | BE 4P-SHF-1AA | 7.5 | 1,000 | 500 | 250 |
| 5 | B 5P-SHF-1AA | BS 5P-SHF-1AA | BE 5P-SHF-1AA | 10.0 | 1,000 | 500 | 250 |
| 6 | B 6P-SHF-1AA | BS 6P-SHF-1AA | BE 6P-SHF-1AA | 12.5 | 500 | 500 | 150 |
| 7 | B 7P-SHF-1AA | BS 7P-SHF-1AA | BE 7P-SHF-1AA | 15.0 | 500 | 500 | 150 |
| 8 | B 8P-SHF-1AA | BS 8P-SHF-1AA | BE 8P-SHF-1AA | 17.5 | 500 | 500 | 150 |
| 9 | B 9P-SHF-1AA | BS 9P-SHF-1AA | BE 9P-SHF-1AA | 20.0 | 500 | 500 | 150 |
| 10 | B10P-SHF-1AA | BS10P-SHF-1AA | BE10P-SHF-1AA | 22.5 | 250 | 250 | 100 |
| 11 | B11P-SHF-1AA | BS11P-SHF-1AA | BE11P-SHF-1AA | 25.0 | 250 | 250 | 100 |
| 12 | B12P-SHF-1AA | BS12P-SHF-1AA | BE12P-SHF-1AA | 27.5 | 250 | 200 | 100 |
| 13 | B13P-SHF-1AA | BS13P-SHF-1AA | BE13P-SHF-1AA | 30.0 | 250 | 200 | 100 |
| 14 | B14P-SHF-1AA | BS14P-SHF-1AA | BE14P-SHF-1AA | 32.5 | 250 | 200 | 50 |
| 15 | B15P-SHF-1AA | BS15P-SHF-1AA | BE15P-SHF-1AA | 35.0 | 250 | 200 | 50 |
| 16 | B16P-SHF-1AA | BS16P-SHF-1AA | — | 37.5 | 250 | 200 | — |
| 17 | B17P-SHF-1AA | — | — | 40.0 | 200 | — | — |
| 18 | B18P-SHF-1AA | BS18P-SHF-1AA | — | 42.5 | 200 | 200 | — |
| 19 | B19P-SHF-1AA | — | — | 45.0 | 250 | — | — |
| 20 | B20P-SHF-1AA | BS20P-SHF-1AA | — | 47.5 | 250 | 200 | — |
| 21 | B21P-SHF-1AA | BS21P-SHF-1AA | — | 50.0 | 250 | 200 | — |
| 22 | B22P-SHF-1AA | BS22P-SHF-1AA | — | 52.5 | 250 | 200 | — |
| 23 | B23P-SHF-1AA | — | — | 55.0 | 250 | — | — |
| 24 | B24P-SHF-1AA | BS24P-SHF-1AA | — | 57.5 | 250 | 200 | — |
| 25 | B25P-SHF-1AA | BS25P-SHF-1AA | — | 60.0 | 250 | 200 | — |

Material and Finish

Post: Brass, copper-undercoated, tin-plated (reflow treatment)
 Wafer: PA 66, UL94V-0, natural (white) for the top and side entry types
 PA 6, UL94V-0, natural (white) for the bottom entry type

RoHS compliance This product displays (LF)(SN) on a label.

<For reference> As the color identification, the following alphabet shall be put in the underlined part. For availability, delivery and minimum order quantity, contact JST.

ex. **B2P-SHF-1AA-oo**

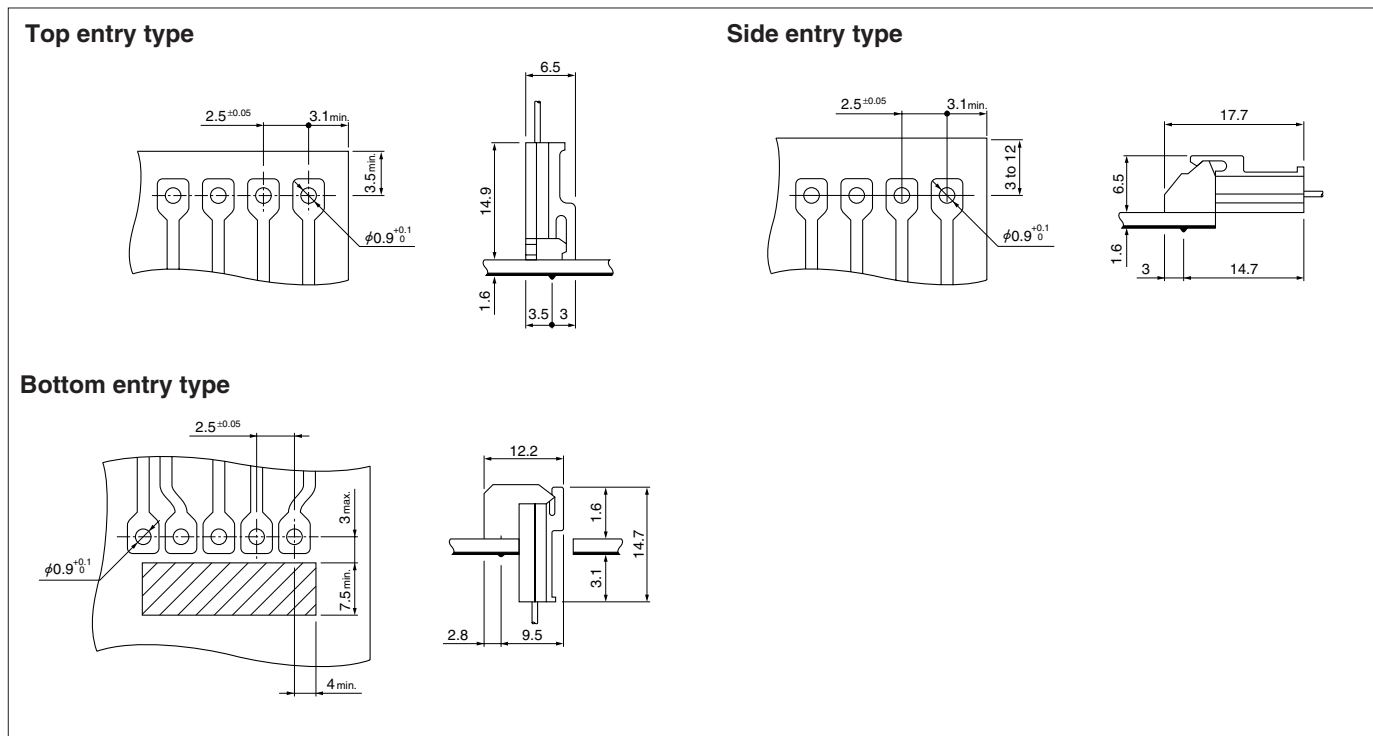
(blank)...natural (white)

BK...black R...red TR...tomato red E...blue M...green

O...orange N...brown

NH CONNECTOR

PC board layout (viewed from soldering side) and Assembly layout



Note:

1. Tolerances are non-cumulative: ± 0.05 mm for all centers.

2. Hole dimensions differ according to the kind of PC board and piercing method. The dimensions above should serve as a guideline.

Contact JST for details.

Crimping machine, Applicator

| Contact | Crimping machine | Crimp applicator | Dies | Crimp applicator with dies |
|----------------|------------------|------------------|----------------|----------------------------|
| SHF-001T-0.8BS | AP-K2N | MKS-L | MK/SHF-001-08S | APLMK SHF001-08S |
| | | *MKS-SC | SC/SHF-001-08S | APLSC SHF001-08S |
| SHF-002T-0.8BS | AP-K2N | MKS-L | MK/SHF-002-08S | APLMK SHF002-08S |
| | | *MKS-SC | SC/SHF-002-08S | APLSC SHF002-08S |

Note: *Strip-crimp applicator

X-ON Electronics

Largest Supplier of Electrical and Electronic Components

Click to view similar products for [Headers & Wire Housings](#) category:

Click to view products by [JST](#) manufacturer:

Other Similar products are found below :

[57102-F02-18ULF](#) [58102-G61-06LF](#) [0009485154](#) [009176003701906](#) [0050291907](#) [02.125.8002.8](#) [609-3404](#) [61062-3](#) [622-0430](#) [622-3653LF](#)
[63453-116](#) [636-1030](#) [636-1427](#) [636-3427](#) [636-4007](#) [641938-9](#) [644827-2](#) [65495-038](#) [65692-001LF](#) [65781-018](#) [65781-047](#) [65817-010LF](#)
[65817-015LF](#) [66207-023LF](#) [67016-026LF](#) [67095-007LF](#) [68631-112](#) [68645-018](#) [68648-049](#) [699319-000](#) [70.362.1628.0](#) [70-4210](#) [70-4226B](#)
[70-4853B](#) [707-5020](#) [707-5028](#) [71.350.2428.0](#) [71961-016LF](#) [733-134](#) [754199-000](#) [760-3052](#) [787-8014-00](#) [FCN-367T-T012/H](#) [80.063.4001.1](#)
[800-90-001-10-001000](#) [800-90-010-10-002000](#) [801-43-002-10-013000](#) [801-43-006-10-002000](#) [803-41-018-10-001000](#) [803-43-014-20-](#)
[001000](#)