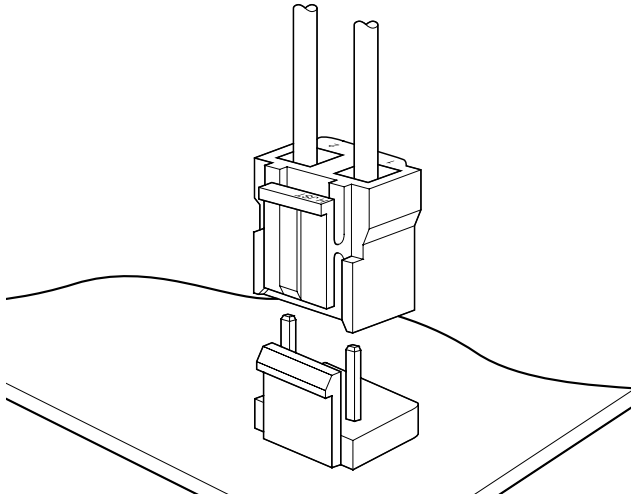




# VA CONNECTOR

## 7.92mm pitch/Disconnectable Crimp style connectors



**This 7.92mm pitch large current carrying capacity connector is used with primary power supply circuits and various other circuits requiring large currents. It features an anti-misinsertion construction and a reliable locking mechanism to ensure maximum safety.**

- **Box contact**
- **Secure contact and mounting**
- **Compact connector with a large capacity**

### Specifications

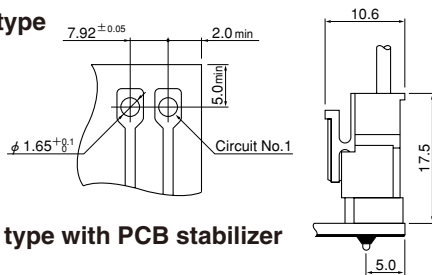
- Current rating: 7A AC, DC (AWG #18)
- Voltage rating: 250V AC, DC
- Temperature range: -25°C to +85°C  
(including temperature rise in applying electrical current)
- Contact resistance: Initial value/10m Ω max.  
After environmental testing/20m Ω max.
- Insulation resistance: 1,000M Ω min.
- Withstanding voltage: 1,200V AC/minute
- Applicable wire: AWG #20 to #18
- Applicable PC board thickness: 1.6mm
- \* Compliant with RoHS.
- \* Refer to "General Instruction and Notice when using Terminals and Connectors" at the end of this catalog.
- \* Contact JST for details.

### Standards

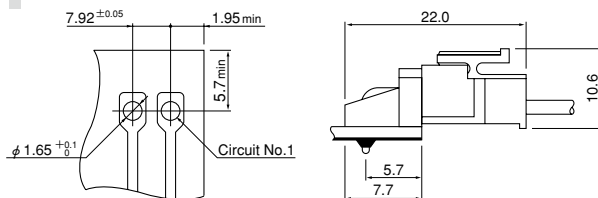
- Ⓜ Recognized E60389
- Ⓢ Certified LR20812
- ⚠ R75122

### PC board layout (viewed from soldering side) and Assembly layout

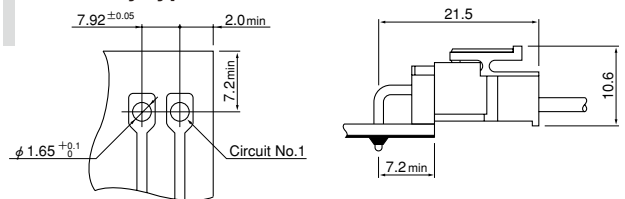
#### Top entry type



#### Side entry type with PCB stabilizer

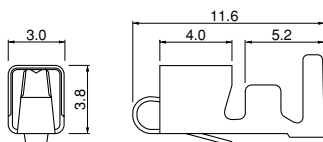


#### Side entry type



- Note: 1. Tolerances are non-cumulative: ±0.05mm for all centers.  
2. Hole dimensions differ according to the kind of PC board and piercing method. The dimensions above should serve as a guideline.  
Contact JST for details.

### Contact



Model No.	Applicable wire		Insulation O.D. (mm)	Q'ty / reel
	mm <sup>2</sup>	AWG #		
<b>SVA-41T-P1.1</b>	0.5~0.83	20~18	1.9~3.7	3,500

#### Material and Finish

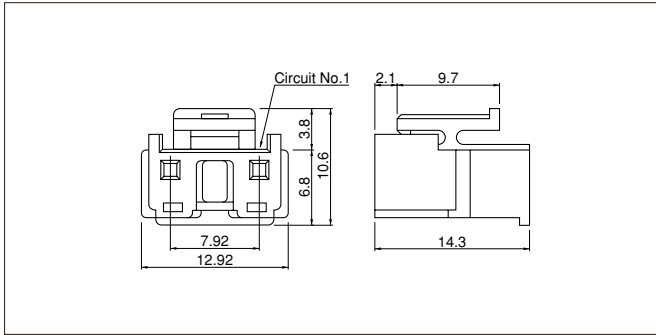
Phosphor bronze, tin-plated (reflow treatment)

#### RoHS compliance

Contact	Crimping machine	Applicator		
		Crimp applicator	Dies	Crimp applicator with dies
<b>SVA-41T-P1.1</b>	AP-K2N	MKS-L	MK/SVA-41-11	APLMK SVA41-11

# VA CONNECTOR

## Housing



Circuits	Model No.	Q'ty / bag
2	<b>VAR-2</b>	1,000

### Material

PA 6, UL94V-0, natural (white)

### RoHS compliance

<For reference> As the color identification, the following alphabet shall be put in the underlined part. For availability, delivery and minimum order quantity, contact JST.

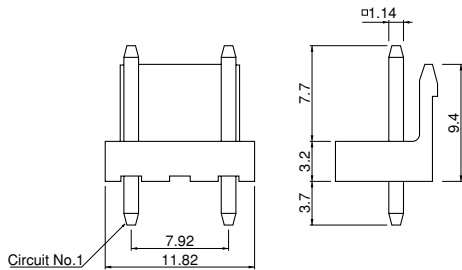
ex. **VAR-2-oo**

(blank)...natural (white)

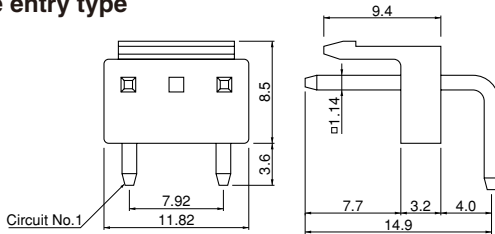
K...black R...red E...blue Y...yellow M...green N...brown

## Locking header

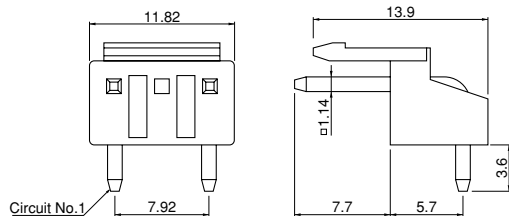
### Top entry type



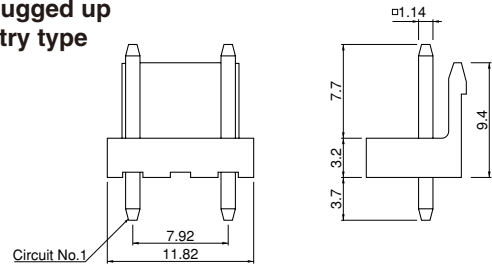
### Side entry type



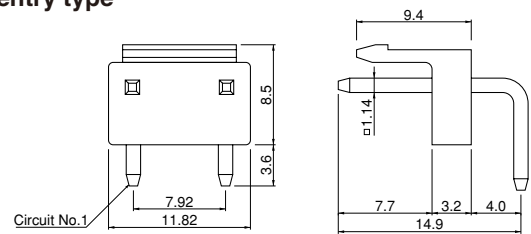
### Side entry type with PCB stabilizer



### With plugged up Top entry type



### Side entry type



	Circuits	Model No.	Q'ty / box
Top entry type	2	<b>B2P3-VH</b>	1,000
Side entry type	2	<b>B2P3S-VH</b>	500
Side entry type with PCB stabilizer	2	<b>S2P3-VH</b>	500

### With plugged up

	Circuits	Model No.	Q'ty / box
Top entry type	2	<b>*B2P-VA</b>	1,000
Side entry type	2	<b>*B2PS-VA</b>	500

### Material and Finish

Post: Brass, copper-undercoated, tin-plated (reflow treatment)  
Wafer: PA 66, UL94V-0, natural (white)

**RoHS compliance** This product displays (LF)(SN) on a label.  
Note: \*Marked products are not CSA/TUV approved.

<For reference> As the color identification, the following alphabet shall be put in the underlined part. For availability, delivery and minimum order quantity, contact JST.

ex. **B2P3(S)-VH-oo**

(blank)...natural (white)

BK...black R...red BL...blue Y...yellow M...green N...brown

O...orange PK...pink P...purple H...gray

ex. **S2P3-VH-oo**

(blank)...natural (white)

BK...black R...red Y...yellow M...green

## X-ON Electronics

Largest Supplier of Electrical and Electronic Components

*Click to view similar products for [Headers & Wire Housings](#) category:*

*Click to view products by [JST](#) manufacturer:*

Other Similar products are found below :

[0015917161](#) [0022155065](#) [57102-F02-18ULF](#) [58102-G61-06LF](#) [582553-1](#) [01.001.5753.1](#) [0050291907](#) [02.125.8002.8](#) [609-3404](#) [61062-3](#)  
[CSU011177004](#) [622-0430](#) [622-3653LF](#) [63453-116](#) [636-1030](#) [636-1427](#) [636-3427](#) [636-4007](#) [641938-9](#) [65495-038](#) [65692-001LF](#) [65781-018](#)  
[65781-047](#) [65817-010LF](#) [65817-015LF](#) [67095-007LF](#) [67601157](#) [68631-112](#) [699319-000](#) [70.362.1628.0](#) [70-4210](#) [70-4226B](#) [70-4853B](#) [707-](#)  
[5028](#) [71.350.2428.0](#) [733-134](#) [733-162](#) [760-3052](#) [MHR-64-VUAL](#) [80.063.4001.1](#) [800-90-001-10-001000](#) [801-43-002-10-013000](#)  
[801-43-006-10-002000](#) [803-43-024-10-001000](#) [803-93-012-10-001000](#) [8-1437020-4](#) [819-22-004-30-001101](#) [820-22-006-30-001101](#)  
[820-22-008-30-001101](#) [821-22-002-10-001101](#)