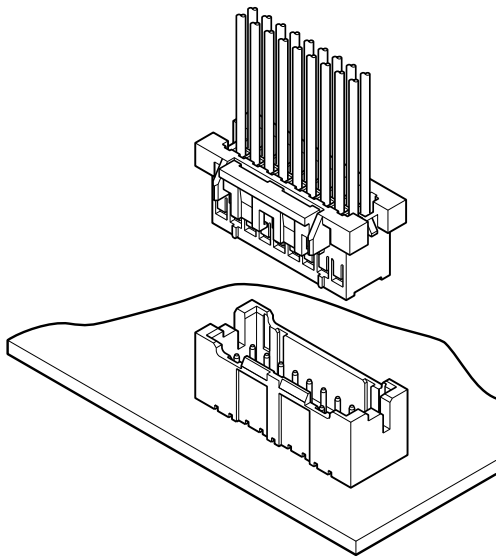




XAD CONNECTOR

2.5 mm pitch/Disconnectable Crimp style connectors



Dual-row construction connector with secure locking device.

- Secure locking device
- Solder crack preventive material
- Polarizing boss
- Mis-insertion preventive design

Specifications

- Current rating: 3 A AC/DC (AWG #20)
 - Voltage rating: 250 V AC/DC
 - Temperature range: -25°C to +85°C
(including temperature rise in applying electrical current)
 - Contact resistance: Initial value/10 mΩ max.
After environmental tests/ 20 mΩ max.
 - Insulation resistance: 1,000 MΩ min.
 - Withstanding voltage: 1,000 VAC/minute
 - Applicable wire: AWG #28 to #20
 - Applicable PC board thickness: 1.6 mm
- * In using the products, refer to "Handling Precautions for Terminals and Connectors" described on our website (Technical documents of Product information page).
- * RoHS2 compliance
- * Dimensional unit: mm
- * Contact JST for details.

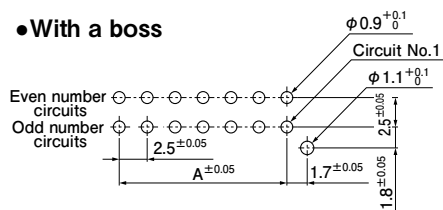
Standards

- Ⓜ Recognized E60389
- Ⓢ Certified LR20812
- Ⓡ R9851219

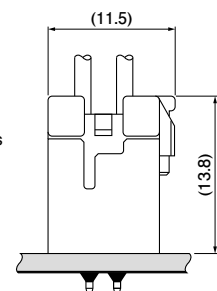
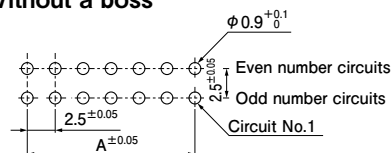
PC board layout and Assembly layout

Top entry type

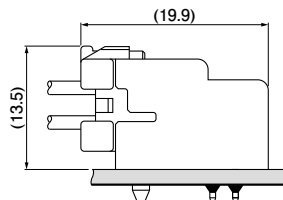
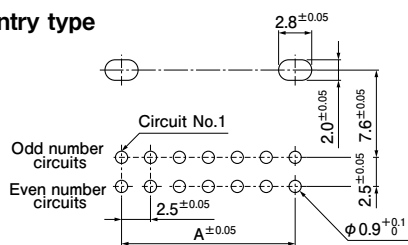
• With a boss



• Without a boss



Side entry type



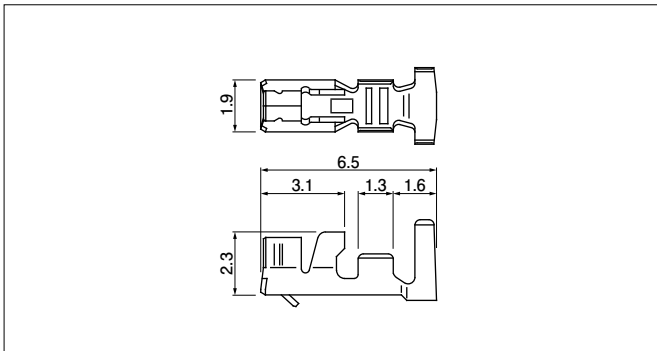
Note: 1. The above figure is the figure viewed from the connector mounting side.

2. Tolerances are non-cumulative: ± 0.05 mm for all centers.

3. Hole dimension differ according to the type of PC board and piercing method. The dimensions above should serve as a guideline. Contact JST for details.

XAD CONNECTOR

Contact



| Model No. | Applicable wire | | Insulation O.D. (mm) | Q'ty/reel |
|----------------|-----------------|-------|----------------------|-----------|
| | mm ² | AWG# | | |
| SXA-01T-P0.6 | 0.22~0.5 | 24~20 | 1.5~1.9 | 8,000 |
| SXA-001T-P0.6 | 0.08~0.33 | 28~22 | 0.8~1.9 | 8,000 |
| SXA-001T-P0.6L | 0.13~0.33 | 26~22 | 1.3~1.7 | 8,000 |

Material and Finish

Phosphor bronze, tin-plated (reflow treatment)

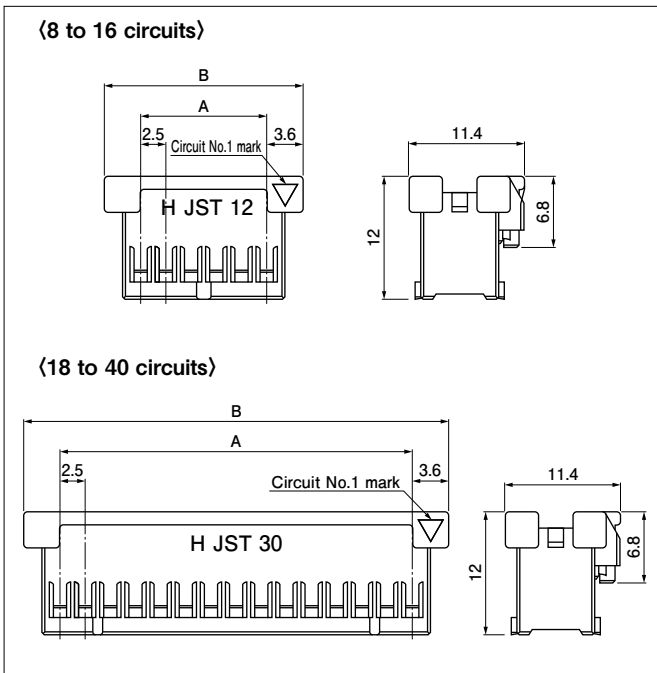
RoHS2 compliance

Note: 1. SXA-001T-P0.6L is low-insertion force type contact, for easier insertion/withdrawal, which would be less resistant to the vibration. The crimp height is different from the standard contact.
2. Contact JST for gold-plated products.

| Contact | Crimping machine | Applicator | | |
|----------------|------------------|------------------|------------------|----------------------------|
| | | Crimp applicator | Dies | Crimp applicator with dies |
| SXA-01T-P0.6 | AP-K2N | MKS-L | MK/SXA/M-01-06 | APLMK SXA/M01-06 |
| SXA-001T-P0.6 | | | MK/SXA/M-001-06 | APLMK SXA/M001-06 |
| SXA-001T-P0.6L | | | MK/SXA/M-001-06L | APLMK SXA/M001-06L |

Note: Contact JST for fully automatic crimping applicator.

Housing



| No. of circuits | Model No. | Dimensions (mm) | | Q'ty/bag |
|-----------------|-----------|-----------------|------|----------|
| | | A | B | |
| 8 | XADRP-08V | 7.5 | 14.7 | 1,000 |
| 10 | XADRP-10V | 10.0 | 17.2 | 1,000 |
| 12 | XADRP-12V | 12.5 | 19.7 | 1,000 |
| 14 | XADRP-14V | 15.0 | 22.2 | 1,000 |
| 16 | XADRP-16V | 17.5 | 24.7 | 1,000 |
| 18 | XADRP-18V | 20.0 | 27.2 | 1,000 |
| 20 | XADRP-20V | 22.5 | 29.7 | 500 |
| 22 | XADRP-22V | 25.0 | 32.2 | 500 |
| 24 | XADRP-24V | 27.5 | 34.7 | 500 |
| 26 | XADRP-26V | 30.0 | 37.2 | 500 |
| 28 | XADRP-28V | 32.5 | 39.7 | 500 |
| 30 | XADRP-30V | 35.0 | 42.2 | 500 |
| 32 | XADRP-32V | 37.5 | 44.7 | 500 |
| 34 | XADRP-34V | 40.0 | 47.2 | 500 |
| 36 | XADRP-36V | 42.5 | 49.7 | 250 |
| 40 | XADRP-40V | 47.5 | 54.7 | 250 |

Material and Finish

PA 66, UL94V-0, natural (white)

RoHS2 compliance

Note: Contact JST if retainers are required.

<For reference> As the color identification, the following alphabet shall be put in the underlined part. For availability, delivery and minimum order quantity, contact JST.

ex. XADRP-08V-oo

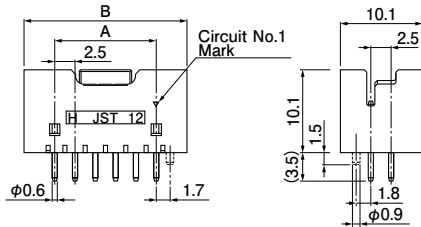
(blank)...natural (white)

K...black R...red E...blue O...orange M...green

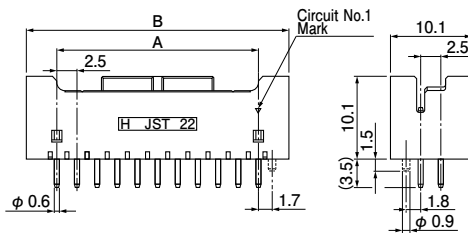
L...lemon yellow PK...pink

Shrouded header

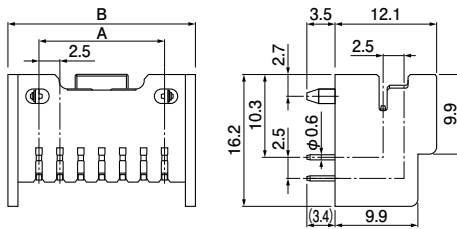
Top entry type (8 to 16 circuits)



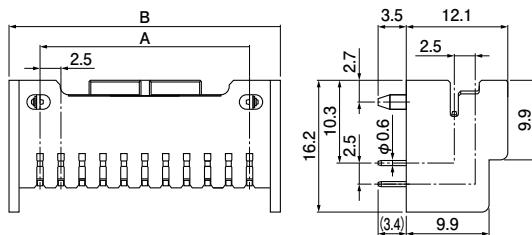
(18 to 40 circuits)



Side entry type (8 to 16 circuits)



(18 to 26 circuits)



| No. of circuits | Model No. | | | Dimensions (mm) | | Q'ty/box | |
|-----------------|----------------|----------------|-----------------|-----------------|------|----------------|-----------------|
| | Top entry type | | Side entry type | A | B | Top entry type | Side entry type |
| | Without a boss | With a boss | | | | | |
| 8 | B08B-XADSS-N | B08B-XADSS-N-A | S08B-XADSS-N | 7.5 | 15.0 | 200 | 270 |
| 10 | B10B-XADSS-N | B10B-XADSS-N-A | S10B-XADSS-N | 10.0 | 17.5 | 200 | 234 |
| 12 | B12B-XADSS-N | B12B-XADSS-N-A | S12B-XADSS-N | 12.5 | 20.0 | 200 | 198 |
| 14 | B14B-XADSS-N | B14B-XADSS-N-A | S14B-XADSS-N | 15.0 | 22.5 | 150 | 180 |
| 16 | B16B-XADSS-N | B16B-XADSS-N-A | S16B-XADSS-N | 17.5 | 25.0 | 150 | 162 |
| 18 | B18B-XADSS-N | B18B-XADSS-N-A | S18B-XADSS-N | 20.0 | 27.5 | 150 | 144 |
| 20 | B20B-XADSS-N | B20B-XADSS-N-A | S20B-XADSS-N | 22.5 | 30.0 | 100 | 126 |
| 22 | B22B-XADSS-N | B22B-XADSS-N-A | — | 25.0 | 32.5 | 100 | — |
| 24 | B24B-XADSS-N | B24B-XADSS-N-A | — | 27.5 | 35.0 | 100 | — |
| 26 | B26B-XADSS-N | B26B-XADSS-N-A | S26B-XADSS-N | 30.0 | 37.5 | 100 | 108 |
| 28 | B28B-XADSS-N | B28B-XADSS-N-A | — | 32.5 | 40.0 | 100 | — |
| 30 | B30B-XADSS-N | B30B-XADSS-N-A | — | 35.0 | 42.5 | 50 | — |
| 32 | B32B-XADSS-N | B32B-XADSS-N-A | — | 37.5 | 45.0 | 50 | — |
| 34 | B34B-XADSS-N | B34B-XADSS-N-A | — | 40.0 | 47.5 | 50 | — |
| 36 | B36B-XADSS-N | B36B-XADSS-N-A | — | 42.5 | 50.0 | 50 | — |
| 40 | B40B-XADSS-N | B40B-XADSS-N-A | — | 47.5 | 55.0 | 50 | — |

Material and Finish

Pin: Copper alloy, copper-undercoated, tin-plated (reflow treatment)
Wafer: Glass-filled PA 66, UL94V-0, natural (white)

RoHS2 compliance This product displays (LF)(SN) on a label.
Note: Contact JST for the headers with gold-plated pins.

<For reference> As the color identification, the following alphabet shall be put in the underlined part.
For availability, delivery and minimum order quantity, contact JST.

ex. **B08B-XADSS-N**

S...natural (white)

K...black R...red E...blue O...orange M...green

L...lemon yellow PK...pink

X-ON Electronics

Largest Supplier of Electrical and Electronic Components

Click to view similar products for [Headers & Wire Housings](#) category:

Click to view products by [JST](#) manufacturer:

Other Similar products are found below :

[0015917161](#) [0022155065](#) [57102-F02-18ULF](#) [58102-G61-06LF](#) [582553-1](#) [01.001.5753.1](#) [0050291907](#) [02.125.8002.8](#) [609-3404](#) [61062-3](#)
[CSU011177004](#) [622-0430](#) [622-3653LF](#) [63453-116](#) [636-1030](#) [636-1427](#) [636-3427](#) [636-4007](#) [641938-9](#) [65495-038](#) [65692-001LF](#) [65781-018](#)
[65781-047](#) [65817-010LF](#) [65817-015LF](#) [67095-007LF](#) [67601157](#) [68631-112](#) [68645-018](#) [699319-000](#) [70.362.1628.0](#) [70-4210](#) [70-4226B](#) [70-](#)
[4853B](#) [71.350.2428.0](#) [733-134](#) [733-162](#) [MHR-64-VUAL](#) [80.063.4001.1](#) [800-90-001-10-001000](#) [801-43-002-10-013000](#) [801-43-006-10-](#)
[002000](#) [803-43-024-10-001000](#) [803-93-012-10-001000](#) [8-1437020-4](#) [819-22-004-30-001101](#) [820-22-006-30-001101](#) [820-22-008-30-001101](#)
[821-22-002-10-001101](#) [821-22-003-10-002101](#)