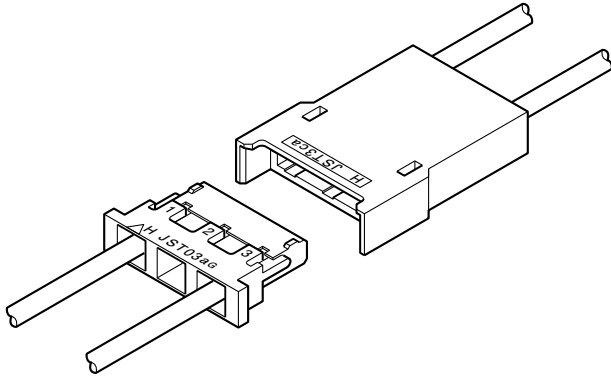


BHM CONNECTOR

4.0/8.0 mm pitch/Disconnectable Crimp style Wire-to-wire connectors



Wire-to-wire version connectors, designed for liquid crystal display back light lamps.

- Contact lances
- Box shaped housing

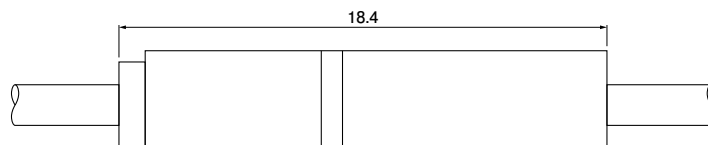
Specifications

- Current rating: 1.0 A AC/DC
 - Voltage rating: 600 V AC/DC
 - Temperature range: -25°C to +85°C
(including temperature rise in applying electrical current)
 - Contact resistance: Initial value/ 10 mΩ max.
After environmental tests/ 20 mΩ max.
 - Insulation resistance: 1,000 MΩ min.
 - Withstanding voltage: 1,800 VAC/minute
 - Applicable wire: Conductor size/ AWG #28 to #22
0.08 to 0.33 mm²
- * In using the products, refer to "Handling Precautions for Terminals and Connectors" described on our website (Technical documents of Product information page).
- * RoHS2 compliance
- * Dimensional unit: mm
- * Contact JST for details.

Standards

- Ⓜ Recognized E60389
- Ⓢ Certified LR20812

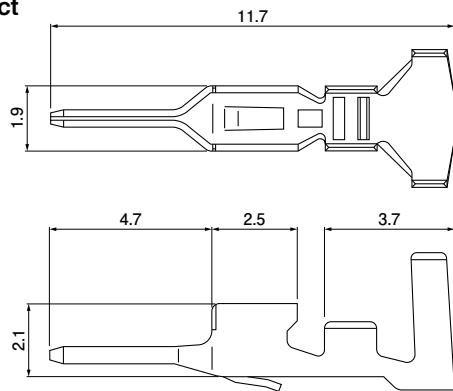
Assembly layout



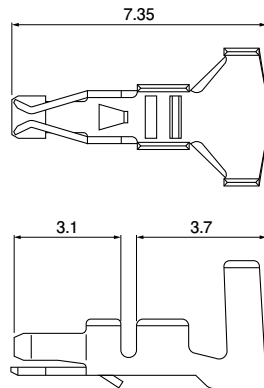
BHM CONNECTOR

Contact

Pin contact



Socket contact



| Model No. | | Applicable wire | | Insulation O.D. (mm) | Q'ty/ reel |
|----------------|----------------|-----------------|-------|-------------------------|---------------|
| Pin contact | Socket contact | mm ² | AWG # | | |
| SBHM-001T-P0.5 | SBH-001T-P0.5 | 0.08~0.33 | 28~22 | 1.6~2.4 | 4,000 |

Material and Finish

Phosphor bronze, tin-plated (reflow treatment)

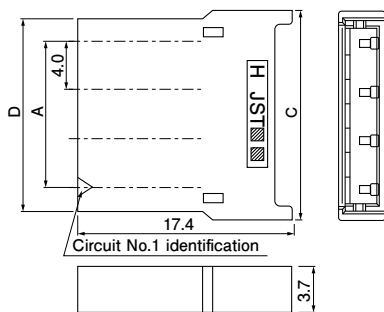
RoHS2 compliance

| Contact | Crimping machine | Applicator | | |
|----------------|---------------------|------------------|-----------------|----------------------------|
| | | Crimp applicator | Dies | Crimp applicator with dies |
| SBHM-001T-P0.5 | AP-K2N | MKS-L | MK/SBH/M-001-05 | APLMK SBH/M001-05 |
| SBH-001T-P0.5 | | | MK/SBH/M-001-05 | APLMK SBH/M001-05 |

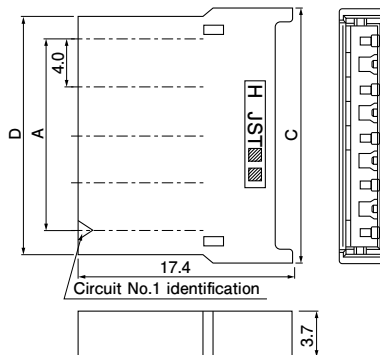
Note: Contact JST for fully automatic crimping applicator.

Housing

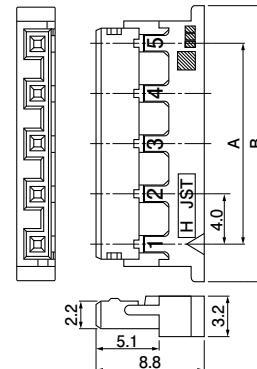
Receptacle housing (for pin contact) (2 to 4 circuits)



(5 circuits)



Socket housing (for socket contact)



| No. of circuits | Model No. | | Dimensions (mm) | | | | Q'ty/bag |
|--------------------|--------------------|----------------|-----------------|------|------|------|----------|
| | Receptacle housing | Socket housing | A | B | C | D | |
| 2 | BHMR-02V | BHR-02VS-1 | 4.0 | 9.8 | 9.1 | 7.8 | 1,000 |
| 3 | BHMR-03V | BHR-03VS-1 | 8.0 | 13.8 | 13.1 | 11.8 | 1,000 |
| 4 | BHMR-04V | BHR-04VS-1 | 12.0 | 17.8 | 17.1 | 15.8 | 1,000 |
| 5 | BHMR-05V-R | BHR-05VS-1 | 16.0 | 21.8 | 21.1 | 19.8 | 1,000 |

Material and Finish

PA 66, UL94V-0, natural (white)

RoHS2 compliance

Note: BHMR-05V-R and BHR-05VS-1 have ribs against prying.

X-ON Electronics

Largest Supplier of Electrical and Electronic Components

Click to view similar products for [Headers & Wire Housings](#) category:

Click to view products by [JST](#) manufacturer:

Other Similar products are found below :

[57102-F02-18ULF](#) [58102-G61-06LF](#) [582553-1](#) [009176003701906](#) [01.001.5753.1](#) [0050291907](#) [02.125.8002.8](#) [609-3404](#) [61062-3](#)
[CSU011177004](#) [622-0430](#) [622-3653LF](#) [63453-116](#) [636-1030](#) [636-1427](#) [636-3427](#) [636-4007](#) [641938-9](#) [65495-038](#) [65692-001LF](#) [65781-018](#)
[65781-047](#) [65817-010LF](#) [65817-015LF](#) [66207-023LF](#) [67095-007LF](#) [67601157](#) [68631-112](#) [699319-000](#) [M90C108951C](#) [70.362.1628.0](#) [70-](#)
[4210](#) [70-4226B](#) [70-4853B](#) [707-5028](#) [71.350.2428.0](#) [71961-016LF](#) [733-134](#) [733-162](#) [754199-000](#) [760-3052](#) [80.063.4001.1](#) [800-90-001-10-](#)
[001000](#) [801-43-002-10-013000](#) [801-43-006-10-002000](#) [803-41-018-10-001000](#) [803-43-024-10-001000](#) [803-93-012-10-001000](#) [8-1437020-4](#)
[819-22-004-30-001101](#)