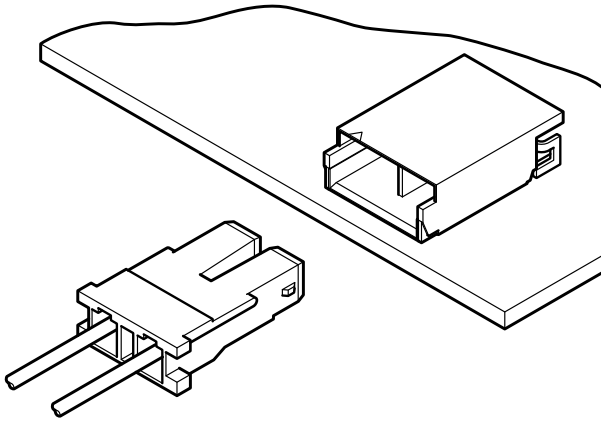




BHS CONNECTOR



3.5mm pitch/Disconnectable Crimp style connectors



- Low profile
- SMT configuration
- Applicable to special wires
- Housing lock also serves as polarizing device
- Adopt wide large for socket contact

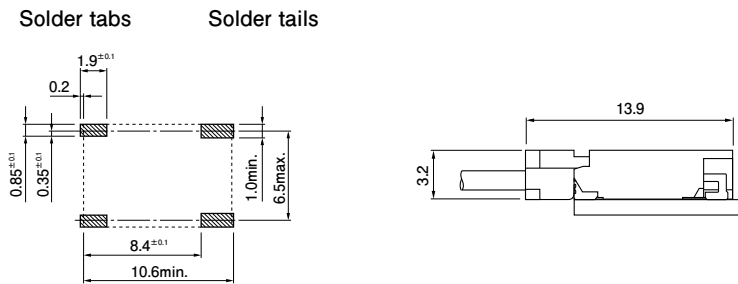
Specifications

- Current rating: 1.0A AC, DC (AWG #24)
- Voltage rating: 1,400V AC, DC
- Temperature range: -25°C to +85°C
(including temperature rise in applying electrical current)
- Contact resistance: Initial value/10mΩ max.
After environmental testing/20mΩ max.
- Insulation resistance: 1,000MΩ min.
- Withstanding voltage: 3,800V AC/minute
- Applicable wire: AWG #28 to #24
Insulation O.D./0.9 to 1.7mm
- * Compliant with RoHS.
- * Refer to "General Instruction and Notice when using Terminals and Connectors" at the end of this catalog.
- * Contact JST for details.

Standards

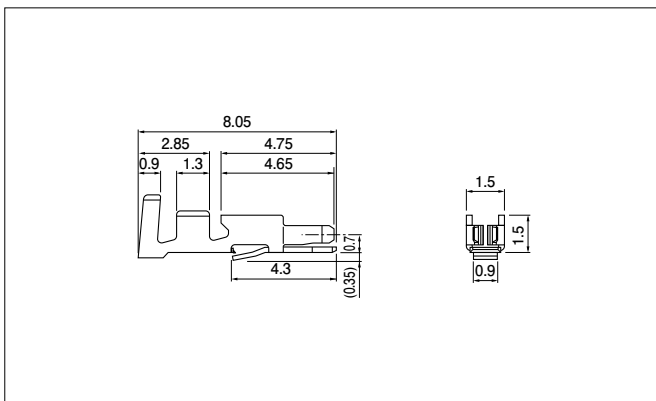
- ♻️ Recognized E60389
- Ⓢ Certified LR20812

PC board layout (viewed from component side) and Assembly layout



Note: 1. Tolerances are non-cumulative: ± 0.1mm for all centers.
2. The dimensions above should serve as a guideline. Contact JST for details.

Contact



Model No.	Applicable wire		Insulation O.D. (mm)	Q'ty/reel
	mm ²	AWG#		
SBHS-002T-P0.5A	0.08 to 0.22	28 to 24	0.9 to 1.7	10,000

Material and Finish

Phosphor bronze, tin-plated (reflow treatment)

RoHS compliance

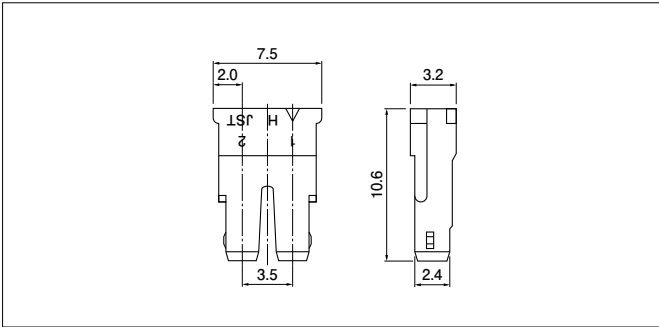
Note: Contact JST for the conventional product (SBHS-002T-P0.5).

Contact	Crimping machine	Applicator		
		Crimp applicator	Dies	Crimp applicator with dies
SBHS-002T-P0.5A	AP-K2N	MKS-L	MK/SBHS-002-05	APLMK SBHS002-05
		—	—	—

Note: Contact JST for fully automatic crimping applicator.

BHS CONNECTOR

Housing

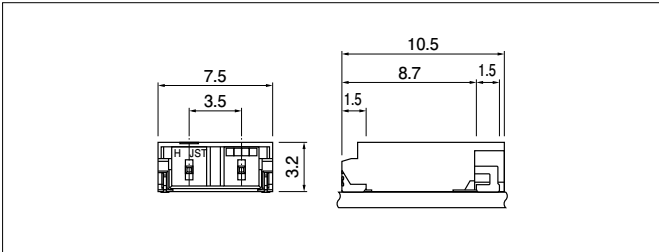


No. of circuits	Model No.	Q'ty / bag
2	BHSR-02VS-1 (N)	1,000

Material		
PA 66, UL94V-0, natural (white)		

RoHS compliance
 Note: Contact JST for the conventional product (BHSR-02VS-1).

Header



No. of circuits	Model No.	Q'ty / reel
2	SM02B-BHSS-1-TB	1,000

Material and Finish		
Post: Brass, copper-undercoated, tin-plated (reflow treatment)		
Wafer: PPA, UL94V-0, natural (ivory)		
Solder tab: Brass, copper-undercoated, tin-plated (reflow treatment)		

RoHS compliance This product displays (LF)(SN) on a label.
 Note: The products listed above are supplied on embossed tape.

Model number allocation

Contact

S BHS - 002 T - P 0.5 A

Form: S...Strip form
 Series name
 Applicable wire range: 002...AWG #28 to AWG #24
 Surface finish: T...Tin-plated (reflow treatment)
 Material: P...Phosphor bronze
 Terminal size
 Shape: A...Type A

Housing

BHS R - 02 V S - 1 (N)

Series name
 Part name: Receptacle
 No. of circuits: 2-circuit only
 Flammability: V...UL94V-0
 Color: S...Natural (White)
 Shape: 1...With protrusion
 Sub model number

Header

SM 02 B - BHSS - 1 - TB

Shape of assembled product:
 SM...SMT side entry type
 No. of circuits: 2-circuit only
 Part name: Header
 Series name
 Color: S...Natural (Ivory)
 Shape: 1...Without boss
 Packaging style: TB...Embossed-taping

X-ON Electronics

Largest Supplier of Electrical and Electronic Components

Click to view similar products for [Unspecified Connectors](#) category:

Click to view products by [JST](#) manufacturer:

Other Similar products are found below :

[1-21107-1](#) [RAD-OUT-8D-REL](#) [1409899](#) [1-1589688-1](#) [770690-4](#) [QUINT-PS/1AC/48DC/10](#) [5102110](#) [1200110](#) [1200113](#) [153210](#) [153414](#)
[186285](#) [153285](#) [RC-5AS2000](#) [RC-Z2068](#) [RAD-CON-SMA-N-SS](#) [RAD-PIG-EF316-N-RSMA](#) [RAD-ISM-2400-ANT-VAN-3-0-R](#) [RIF-0-](#)
[RPT-12DC/21](#) [RIF-1-BPT/2X21](#) [RIF-RH-1](#) [99 0210 00 04](#) [125.012-10](#) [125.012-6](#) [2000 3/8](#) [710027-1](#) [710030-3](#) [ES 12 NI](#) [GOL BLUE 25](#)
[800307](#) [5043994](#) [5736861](#) [1714624](#) [5772605](#) [1016808](#) [41.031.4053.1](#) [41.032.4053.1](#) [RM12BPE-3PH\(76\)](#) [RM12BPE-6PH\(76\)](#)
[96.071.4053.1](#) [RST20I7S B1 ZR1 SW](#) [44429310](#) [0250 02](#) [0250 03](#) [0250 04](#) [0250 05](#) [0250 06](#) [0250 07](#) [0250 08](#) [0251 02](#) [0251 03](#)