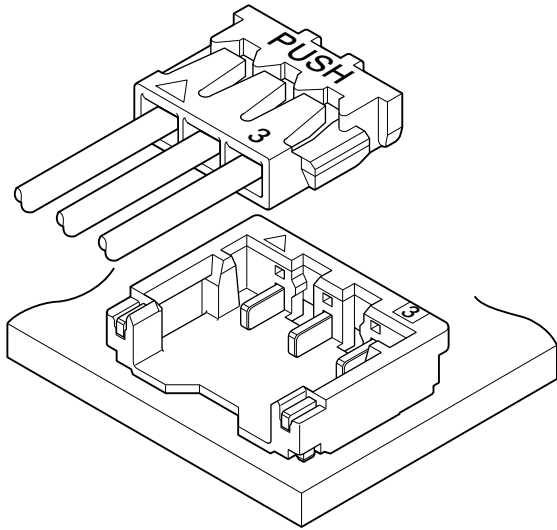


# ACH CONNECTOR

1.2 mm pitch/Disconnectable Crimp style connectors



This ACH connector is compact and low profile type, height 1.4 mm and width 4.3 mm, 1.2 mm pitch wire-to-board connector.

- Top entry but side feed type
- Connector for DC power supply
- Corresponding to sucking nozzle of pick and place machine

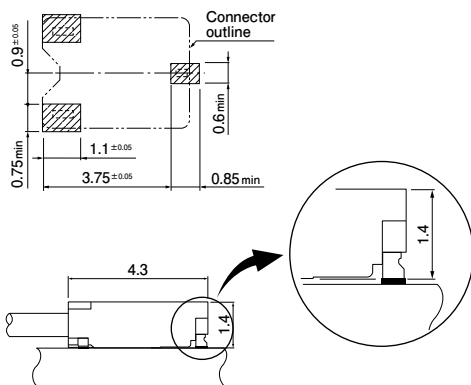
## Standards

- Recognized E60389
- Certified LR20812

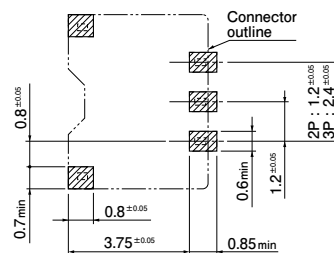
## Specifications

- Current rating: 2 A/1 to 3 circuits AC/DC (AWG #28)  
1.5 A/4, 5 circuits AC/DC (AWG #28)
- Voltage rating: 50 V AC, DC
- Temperature range: -25°C to +85°C  
(including temperature rise in applying electrical current)
- Contact resistance: Initial value/ 10 mΩ max.  
After environmental tests/ 20 mΩ max.
- Insulation resistance: 100 MΩ min.
- Withstanding voltage: 500 VAC/minute
- Applicable wire: Conductor size/ AWG #32 to #28  
Insulation O.D./ 0.38 to 0.63 mm
- \* In using the products, refer to "Handling Precaution for Terminals and Connectors" described on our website (Technical documents of Product information page).
- \* Dimensional unit: mm
- \* RoHS2 Compliance
- \* Contact JST for details.

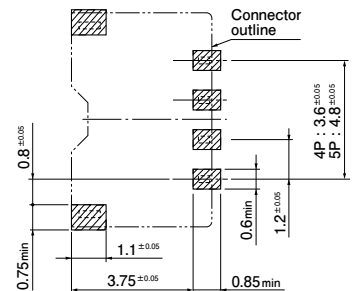
<Single circuit>



<2, 3 circuits>

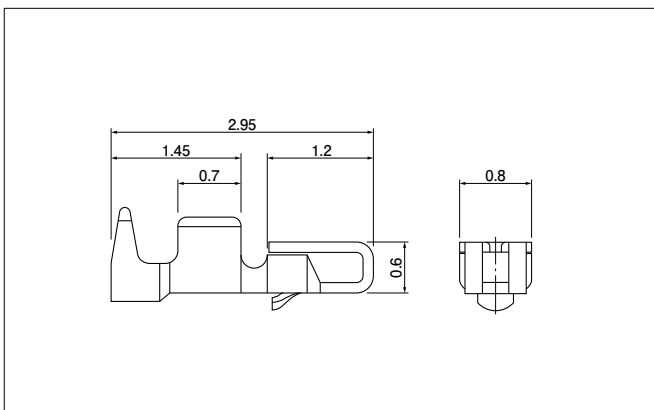


<4, 5 circuits>



- Note: 1. The above figure is the figure viewed from the connector mounting side.  
2. Tolerances are non-cumulative: ± 0.05mm for all centers.  
3. The dimensions above should serve as a guideline. Contact JST for details.

## Contact



Model No.	Applicable wire		Insulation O.D. (mm)	Q'ty/reel
	mm <sup>2</sup>	AWG#		
SACH-003G-P0.2	0.05 to 0.08	30 to 28	0.5 to 0.63	30,000
SACH-003G-P0.2B	0.032 to 0.05	32 to 30	0.38 to 0.5	30,000

### Material and Finish

Copper alloy, nickel-undercoated, gold-plated

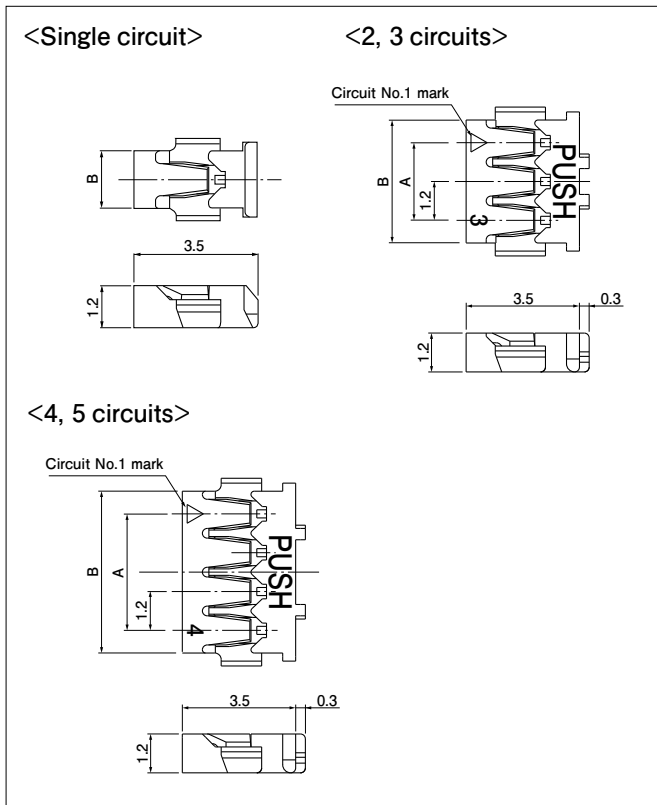
### RoHS2 compliance

Contact	Crimping machine	Applicator	
		Applicator	Crimp applicator with dies
SACH-003G-P0.2	AP-K2N	MKS-L-10-3	APLMK SACH003-02
SACH-003G-P0.2B		MKS-L-10-3	APLMK SACH003-02

Note: Contact JST for fully automatic crimping applicator.

# ACH CONNECTOR

## Housing



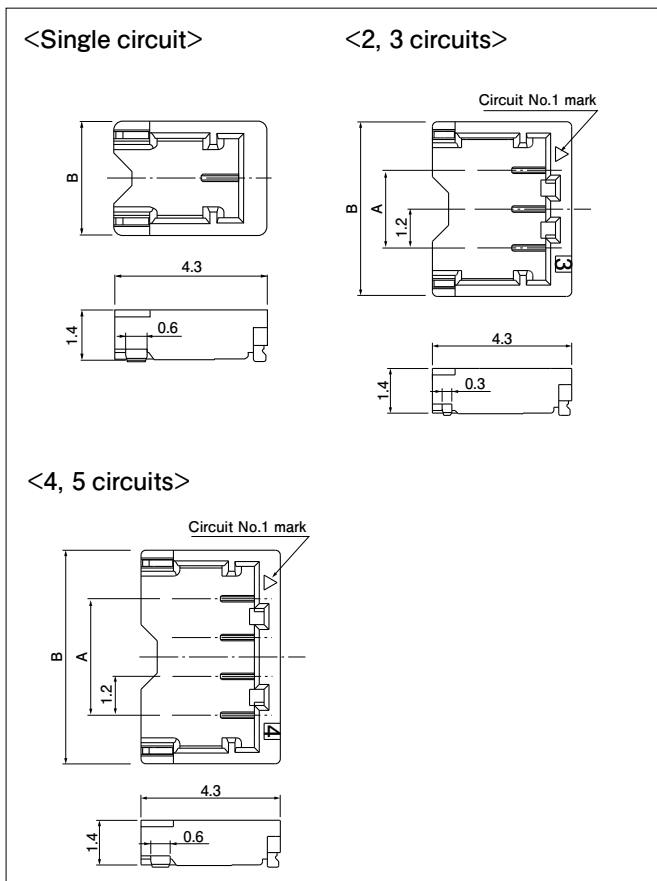
No. of circuits	Model No.	Dimensions (mm)		Q'ty/ bag
		A	B	
1	ACHR-01V-A-S	—	1.6	2,000
2	ACHR-02V-S	1.2	2.6	1,000
3	ACHR-03V-S	2.4	3.8	1,000
4	ACHR-04V-A-S	3.6	5.0	1,000
5	ACHR-05V-A-S	4.8	6.2	1,000

### Material and Finish

PBT, UL94V-0, natural (white)

RoHS2 compliance

## Header



No. of circuits	Model No.	Dimensions (mm)		Q'ty/ reel
		A	B	
1	BM01B-ACHSS-A-GAN-ETF	—	3.2	4,500
2	BM02B-ACHSS-A-GAN-ETF	1.2	4.2	4,500
3	BM03B-ACHSS-A-GAN-ETF	2.4	5.4	4,500
4	BM04B-ACHSS-A-GAN-ETF	3.6	6.6	4,500
5	BM05B-ACHSS-A-GAN-ETF	4.8	7.8	4,500

### Material and Finish

Contact: Copper alloy, nickel-undercoated, gold-plated (nickel-stripe)

Housing: Heat resisting resin, UL94V-0, natural (ivory)

Solder tab: Copper alloy, copper-undercoated, tin-plated (reflow treatment)

RoHS2 compliance This product displays (LF) (SN) on a label.

# ACH CONNECTOR

## Model number allocation

### Contact

**S ACH - 003 G - P 0.2** ■

Form: S···Strip form

Series name

Applicable wire range: Normal type···AWG#30 to #28  
Type B···AWG#32 to #30

Surface finish: G···Nickel-undercoated gold-plated

Material: P···Copper alloy

Terminal size

Type name: None···Normal type, B···Type B

### Housing

**ACH R - 02 V - ■ - S**

Series name

Part name: Receptacle

No. of circuits: 1 to 5

Flammability: V···UL94V-0

Type: None···2, 3-circuit product, A···1, 4, 5-circuit product

Color: S···Natural (White), K···Black

### Header

**BM 02 B - ACH S S - ■ - GAN - ETF**

Shape of assembled product:  
BM···SMT Top entry type

No. of circuits: 1 to 5

Part name: Header

Series name

Color: S···Natural (Ivory), K···Black

Indication of clinch: S···Straight pin

Type: None···2, 3-circuit product, A···1, 4, 5-circuit product

Surface finish: GAN···Nickel-undercoated gold-plated (nickel stripe)

Packaging style: ETF···Embossed-taping

## X-ON Electronics

Largest Supplier of Electrical and Electronic Components

*Click to view similar products for [Headers & Wire Housings](#) category:*

*Click to view products by [JST](#) manufacturer:*

Other Similar products are found below :

[0015917161](#) [0022155065](#) [57102-F02-18ULF](#) [58102-G61-06LF](#) [582553-1](#) [01.001.5753.1](#) [0050291907](#) [02.125.8002.8](#) [609-3404](#) [61062-3](#)  
[CSU011177004](#) [622-0430](#) [622-3653LF](#) [63453-116](#) [636-1030](#) [636-1427](#) [636-3427](#) [636-4007](#) [641938-9](#) [65495-038](#) [65692-001LF](#) [65781-018](#)  
[65781-047](#) [65817-010LF](#) [65817-015LF](#) [67095-007LF](#) [67601157](#) [68631-112](#) [68645-018](#) [699319-000](#) [70.362.1628.0](#) [70-4210](#) [70-4226B](#) [70-](#)  
[4853B](#) [71.350.2428.0](#) [733-134](#) [733-162](#) [MHR-64-VUAL](#) [80.063.4001.1](#) [800-90-001-10-001000](#) [801-43-002-10-013000](#) [801-43-006-10-](#)  
[002000](#) [803-43-024-10-001000](#) [803-93-012-10-001000](#) [8-1437020-4](#) [819-22-004-30-001101](#) [820-22-006-30-001101](#) [820-22-008-30-001101](#)  
[821-22-002-10-001101](#) [821-22-003-10-002101](#)