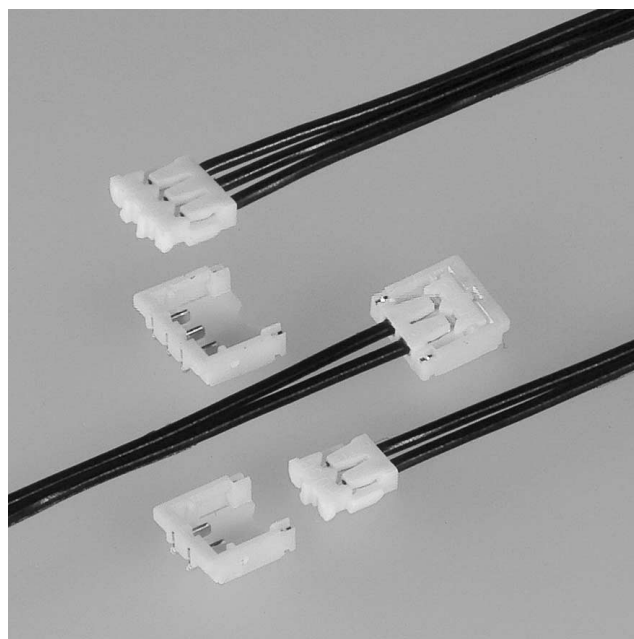


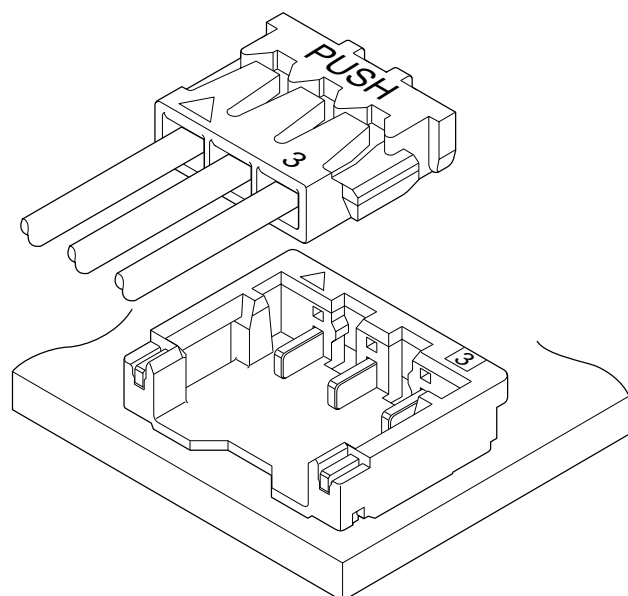
ACH CONNECTOR



Disconnectable Crimp style connectors



This ACH connector is compact and low profile type, height: 1.4mm (.055") and width 4.3mm (.169"), 1.2mm (.047") pitch wire-to-board connector.



Features

• Top entry but side feed type

Wires come out from horizontal direction of connector

a Low profile {height: 1.4mm (.055")}

Socket is mated with header from vertical direction of connector

a Excellent workability

• Connector for DC power supply

In spite of compact and low profile type connector, rated current is 2A for both 2-circuit and 3-circuit with wire size AWG #28.

• Corresponding to sucking nozzle of pick and place machine

A sucking area on bottom of inside header is available.

Specifications

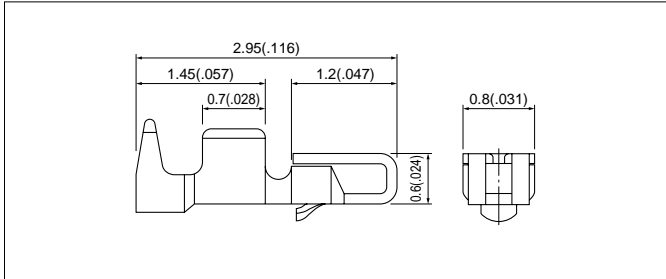
- Current rating: 2A AC, DC (AWG #28)
 - Voltage rating: 50V AC, DC
 - Temperature range: -25°C to +85°C
(including temperature rise in applying electrical current)
 - Contact resistance: Initial value/10m Ω max.
After environmental testing/20m Ω max.
 - Insulation resistance: 100M Ω min.
 - Withstanding voltage: 500V AC/minute
 - Applicable wire: AWG #30 to #28
Insulation O.D./0.5 to 0.63mm (.020" to .025")
- * Contact JST if Lead-Free product is required.
* Refer to "General Instruction and Notice when using Terminals and Connectors" at the end of this catalog.
* Contact JST for details.

Standards

Recognized E60389

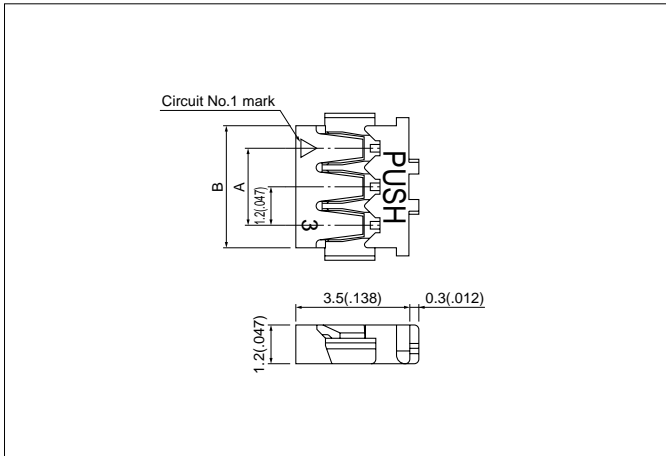
ACH CONNECTOR

Contact



Model No.	Applicable wire		Insulation O.D. mm(in.)	Q'ty / reel
	mm ²	AWG#		
SACH-003G-P0.2	0.05 to 0.08	30 to 28	0.5 to 0.63(.020 to .025)	30,000
Material and Finish				
Copper alloy, nickel-undercoated, gold-plated				

Housing

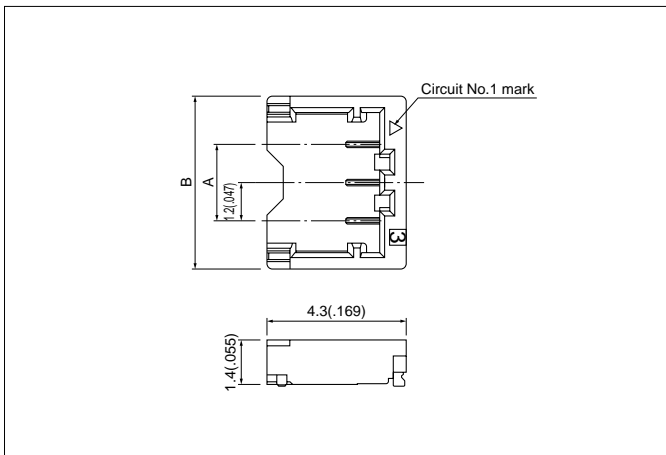


Circuits	Model No.	Dimensions mm(in.)		Q'ty / bag
		A	B	
2	ACHR-02V-S	1.2(.047)	2.6(.102)	1,000
3	ACHR-03V-S	2.4(.094)	3.8(.150)	1,000
Material				
PBT, UL94V-0, natural (white)				

<For reference> As the color identification, the following alphabet shall be put in the underlined part. For availability, delivery and minimum order quantity, contact JST.

ex. **ACHR-02V-00**
 S...*natural (white)*
 K...*black*

Shrouded header



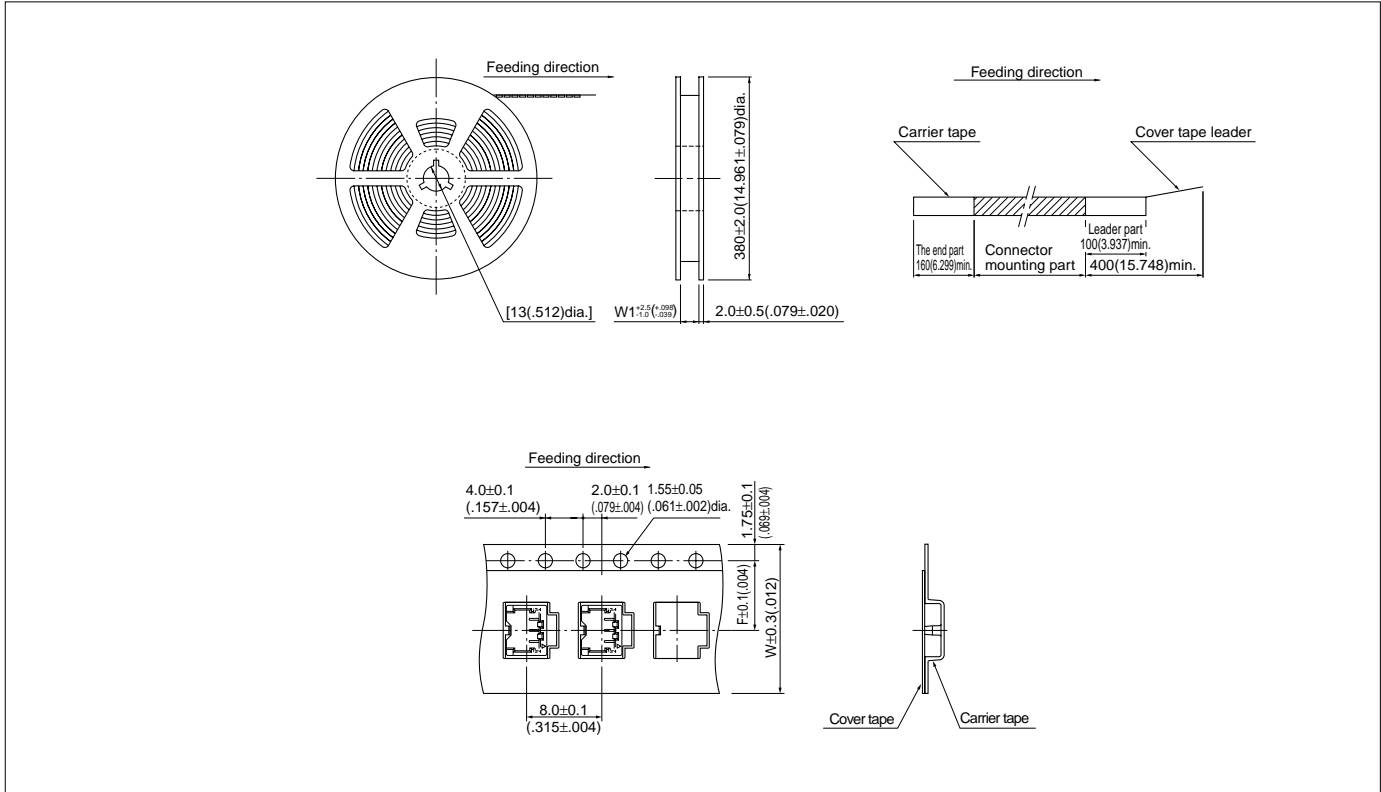
Circuits	Model No.	Q'ty / reel
2	BM02B-ACHSS-GAN-TF	4,500
3	BM03B-ACHSS-GAN-TF	4,500
Material and Finish		
Contact: Copper alloy, nickel-undercoated, gold-plated (nickel-stripe)		
Housing: Heat resisting resin, UL94V-0, natural (ivory)		
Solder tab: Copper alloy, copper-undercoated, tin-plated		

<For reference> As the color identification, the following alphabet shall be put in the underlined part. For availability, delivery and minimum order quantity, contact JST.

ex. **BM02B-ACHSS-GAN-TF**
 S...*natural (ivory)*

ACH CONNECTOR

Taping specifications

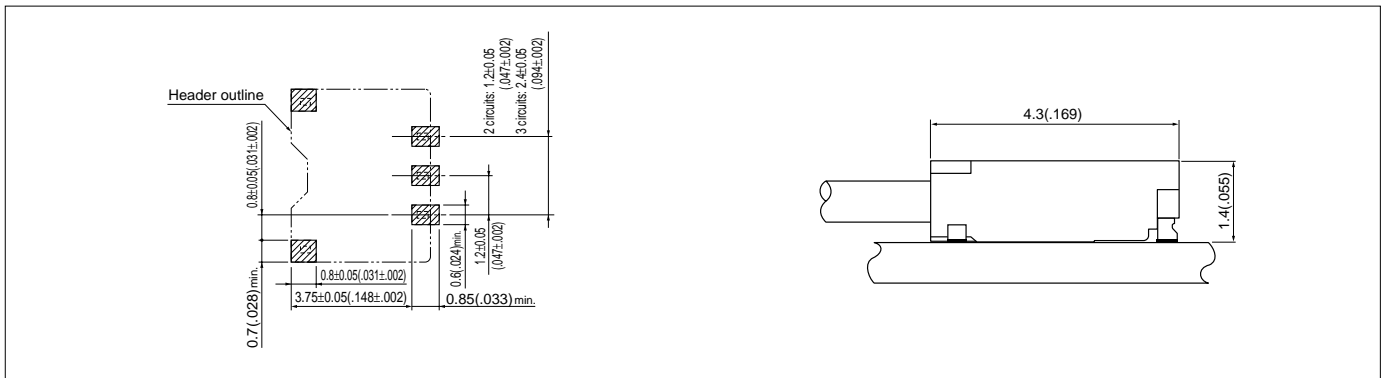


Circuits	Dimensions mm(in.)		Reel dimensions mm(in.)	Q'ty / reel
	F	W	W1	
2	5.5(.217)	12.0(.472)	13.5(.531)	4,500
3	7.5(.295)	16.0(.630)	17.5(.689)	4,500

Note:

- Specifications conform to JIS C 0806. The tape width, connector loading recess square hole dimensions, etc. are determined by the number of circuits and external shape of the connector to be loaded.
- Specifications are subject to change without prior notice.

PC board layout (viewed from component side) and Assembly layout



- Note:**
- Tolerances are non-cumulative: $\pm 0.05\text{mm}$ ($\pm .002''$) for all centers.
 - The dimensions above should serve as a guideline. Contact JST for details.

Applicator for the semi-automatic press AP-K2N

Contact	Crimp applicator MKS-L-10-3		Compact crimp applicator MKS-LS		Strip-crimp applicator MKS-SC
	with safety cover	without safety cover	with safety cover	without safety cover	with safety cover
SACH-003G-P0.2	APLMK SACH003-02	APLNC SACH003-02	-	-	-

X-ON Electronics

Largest Supplier of Electrical and Electronic Components

Click to view similar products for [FFC & FPC Connectors](#) category:

Click to view products by [JST manufacturer](#):

Other Similar products are found below :

[HFW11R-1STE1H1LF](#) [FH29B-100S-0.2SHW\(99\)](#) [FA5S008HP1](#) [FH29B-120S-0.2SHW\(99\)](#) [FH29B-80S-0.2SHW\(99\)](#) [FHS-16](#) [FPH-2022G](#)
[52610-1075](#) [52610-1275](#) [52610-1934](#) [XF3M\(1\)-1415-1B-R100](#) [501864-3091-TR225](#) [0525594033](#) [086210010340800](#) [086222026001800](#)
[52271-2869-CUT-TAPE](#) [62674-201121DLF](#) [62684-36210E9ALF](#) [52610-1675](#) [52746-1671-TR250](#) [10051922-2810EHLF](#) [6-520415-9](#)
[BD021-09A-A1-0350-0200-0550-LD](#) [SFV6R-1STE9HLF](#) [XF3M-2915-1B-R100](#) [1658549-1](#) [62674-221121ALF](#) [46214008010800](#)
[046298003000883](#) [151660622](#) [842-816-2630-035](#) [AYF530665TA](#) [AYF351525](#) [046296011930846+](#) [AYF352325A](#) [046254020000800+](#)
[FH19C-13S-0.5SH\(99\)](#) [FH39J-51S-0.3SHW\(99\)](#) [AYF355125A](#) [AYF530365TA](#) [FH29B-44S-0.2SHW\(99\)](#) [SFW5R-2STAE9LF](#) [AYF351125A](#)
[AYF350725A](#) [62684-502100AHLF](#) [FH39-61S-0.3SHW\(99\)](#) [AYF414035A](#) [10064555-172520HLF](#) [AYF212335A](#) [504754-2500](#)