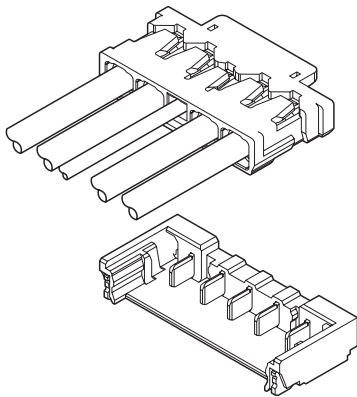


# AUH CONNECTOR

Disconnectable Crimp style connectors



**This AUH connector is compact and low profile type, height 1.85 mm and width 5.2 mm, wire-to-board connector. And also 5 A in rating current was realized.**

- Space saving
- Top entry but side feed type
- Combination of power supply and signal circuits
  - 3 circuits; Power supply 2 circuits + Signal single circuit
  - 5 circuits; Power supply 4 circuits + Signal single circuit
- Connector for DC power supply (5 A)

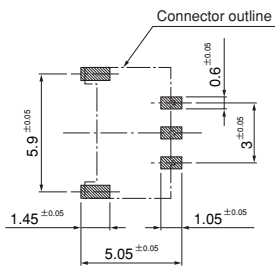
## Specifications

- Current rating: Signal circuit/ 1 A AC, DC  
Power supply circuit/ 5 A AC, DC (AWG #22)
- Voltage rating: 30V AC, DC
- Temperature range: -25°C to +85°C  
(including temperature rise in applying electrical current)
- Contact resistance: Initial value/ 10 mΩ max.  
After environmental tests/ 20 mΩ max.
- Insulation resistance: 100 MΩ min.
- Withstanding voltage: 200 VAC/ minute
- Applicable wire:
  - Signal circuit; Conductor size/ AWG #30 to #28  
Insulation O.D./ 0.5 to 0.63 mm
  - Power supply circuit; Conductor size/AWG #26 to #22  
AWG #22; Recommend UL3619 made by Hitachi Cable, Ltd./Furukawa Electric Co., Ltd.  
Insulation O.D./0.98 to 1.16 mm
- \* Refer to "General Instruction and Notice when using Terminals and Connectors" at the end of this catalog.
- \* Contact JST for details.
- \* Compliant with RoHS.

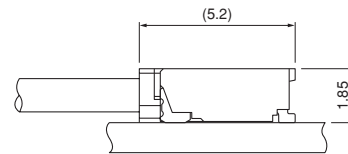
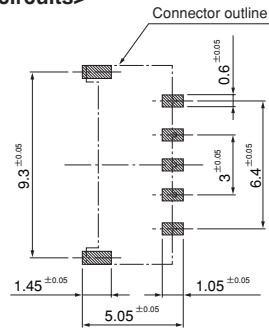
## Standards

Recognized E60389

<3 circuits>



<5 circuits>

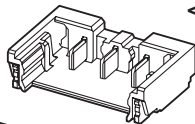


Note: 1. The above figure is the figure viewed from the connector mounting side.

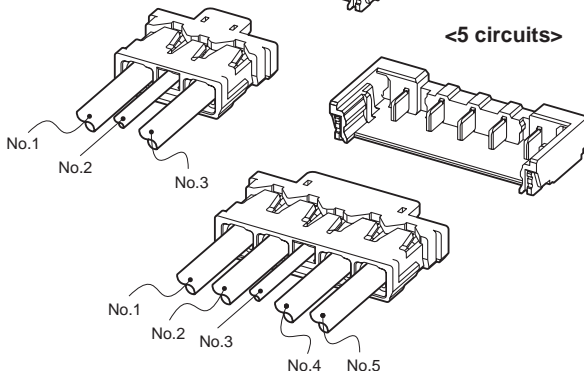
2. Tolerances are non-cumulative: ±0.05 mm for all centers. The dimensions above should serve as a guideline. Contact JST for details.

### Table of current rating combinations

<3 circuits>



<5 circuits>



Current unit: A

Circuits	Power supply contact Wire to be used	Circuits No.		
		No.1	No.2	No.3
3	AWG #22	5	1	5
	AWG #24	4	1	4
	AWG #26	3.5	1	3.5

■ : Signal contact AWG#30~#28

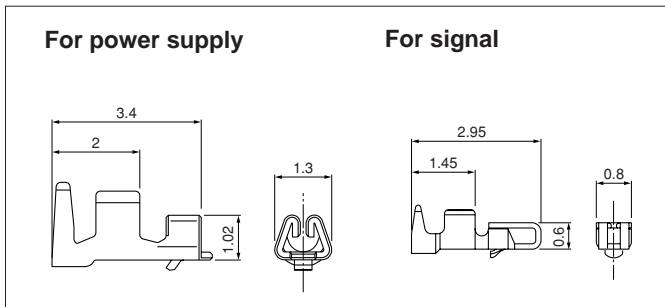
Current unit: A

Circuits	Power supply contact Wire to be used	Circuits No.				
		No.1	No.2	No.3	No.4	No.5
5	AWG #22	5	1	1	1	5
		4	4	1	4	4
	AWG #24	4	1	1	1	4
		3.5	3.5	1	3.5	3.5
	AWG #26	3.5	1	1	1	3.5
		3	3	1	3	3

■ : Signal contact AWG#30~#28

# AUH CONNECTOR

## Contact



	Model No.	Applicable wire		Insulation O.D. (mm)	Q'ty/reel
		mm <sup>2</sup>	AWG#		
Power supply	<b>SAUH-001G-M0.2</b>	0.13~0.33	26~22	0.98~1.16	18,000
Signal	<b>SACH-003G-P0.2</b>	0.05~0.08	30~28	0.5 ~0.63	30,000

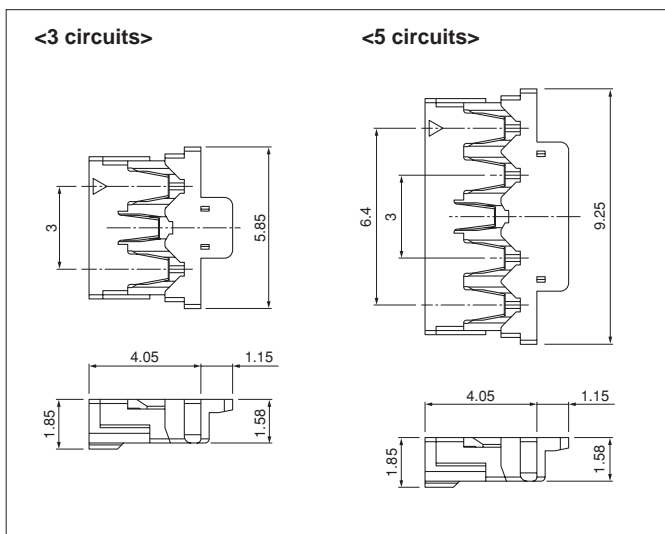
### Material and Finish

Copper alloy, nickel-undercoated, selective gold-plated

**RoHS compliance**

Model No.	Crimping machine	Applicable wire		Insulation O.D. (mm)	Applicator		
		mm <sup>2</sup>	AWG#		Crimp applicator	Dies	Crimp applicator with dies
<b>SAUH-001G-M0.2</b>	AP-K2N	0.13~0.21	26~24	0.98~1.11	MKS-L-10	MK/SAUH-001-02	APLMK SAUH001-02
		0.33	22	0.98~1.16	MKS-L-10	MK/SAUH-001-02-K	APLMK SAUH001-02-K
<b>SACH-003G-P0.2</b>		0.05~0.08	30~28	0.5~0.63	MKS-L-10-3	MK/SACH-003-02	APLMK SACH003-02
					—	—	—

## Housing



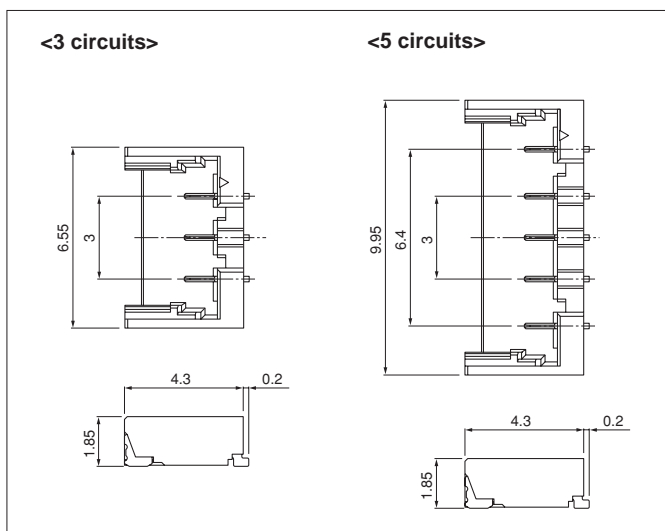
Circuits	Model No.	Q'ty/box
3	<b>AUHR-03V-H</b>	1,000
5	<b>AUHR-05V-H</b>	1,000

### Material

PBT, UL94V-0, gray

**RoHS compliance**

## Shrouded header



Circuits	Model No.	Q'ty/reel
3	<b>BM03B-AUHKS-GA-TB</b>	5,000
5	<b>BM05B-AUHKS-GA-TB</b>	5,000

### Material and Finish

Contact: Copper alloy, nickel-undercoated, gold-plated (nickel-stripe)

Housing: Heat resisting resin, UL94V-0, black

Reinforcing tab: Copper alloy, copper-undercoated, tin-plated (reflow treatment)

**RoHS compliance** This product displays (LF)(SN) on a label.

## X-ON Electronics

Largest Supplier of Electrical and Electronic Components

*Click to view similar products for [jst manufacturer](#):*

Other Similar products are found below :

[GS3-0.5](#) [GS8-6](#) [B3B-ZR](#) [B4B-ZR](#) [B5B-XH-A](#) [B5B-ZR](#) [B6B-ZR-SM4-TF](#) [B7B-XH-A](#) [B8B-XH-A](#) [B8B-ZR](#) [BM02B-SRSS-TB](#) [BM06B-SRSS-TB](#) [BM10B-SRSS-TB](#) [FVGS5-6](#) [B2B-ZR-SM4-TF](#) [B34B-PHDSS-B\(LF\)\(SN\)](#) [B3B-ZR-SM4-TF](#) [B5B-ZR-SM4-TF](#) [B6B-XH-A](#) [B7B-ZR-SM4-TF](#) [B8B-ZR-SM4-TF](#) [B8PS-VH](#) [BM04B-SRSS-TB](#) [BM05B-SRSS-TB](#) [IDH-KR-12](#) [10HR-4K](#) [WC-ZE2426](#) [WC-691](#) [FVDDF5.5-375A \(LF\)](#) [FVGS12-6 \(LF\)](#) [FVWS2-S3.3 \(LF\)](#) [FVWS5.5-5 \(LF\)](#) [B6PS-VH\(LF\)\(SN\)](#) [FNGS12-6](#) [TWE0.5-8](#) [FVGS4-1 \(LF\)](#) [WC-GVH2630](#) [WC-PUD2](#) [S10B-PH-SM4-TB\(LF\)\(SN\)](#) [B2B-EH-A-TW \(LF\)\(SN\)](#) [B4B-EH-A-TW \(LF\)\(SN\)](#) [B4B-XH-TW \(LF\)\(SN\)](#) [B9B-XH-A](#) [BM02B-GHS-TBT](#) [BM03B-GHS-TBT](#) [BM04B-GHS-TBT](#) [BM06B-GHS-TBT](#) [BM08B-GHS-TBT](#) [BM10B-GHS-TBT](#) [SM10B-GHS-TB](#)