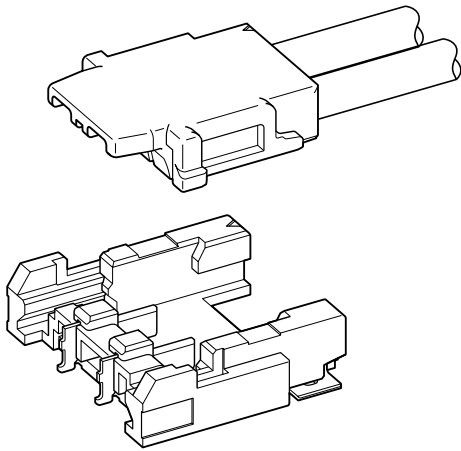


LEN CONNECTOR



3.0mm pitch/For LED Lamp/Disconnectable Crimp style connectors



Considering about the luminescence property of LED package, this LEM connector is designed as low profile type connector for LED lighting.

In consideration of connector mating operation to the LED mounting PCB that is integrated in the equipment, side-feed mechanism that provides to enable mating the connector from above is adopted, and secure lock that considered handling and mechanism for preventing wrong insertion are provided.

- **Low profile design**
Mounting height at connector mounting side : 3mm
- **Secure locking mechanism**
- **Mechanism for preventing wrong insertion**
- **Halogen-free and RoHS compliant**

Specifications

- Current rating: 3 A AC, DC (AWG #22)
- Voltage rating: 300 V AC, DC
- Temperature range: -55°C to +105°C
(including temperature rise in applying electrical current)
- Contact resistance: Initial value/ 10 mΩ max.
After environmental tests/ 20 mΩ max.
- Insulation resistance: 1,000 MΩ min.
- Withstanding voltage: 1,700 VAC/minute
- Applicable wire: Conductor size/ AWG #26 to #22
Insulation O.D./ 0.95 to 1.7 mm

- * Refer to "General Instruction and Notice when using Terminals and Connectors" at the end of this catalog.
- * Contact JST for details.
- * Compliant with RoHS.

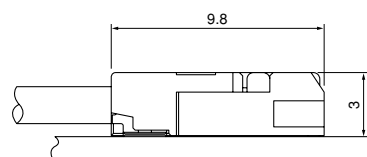
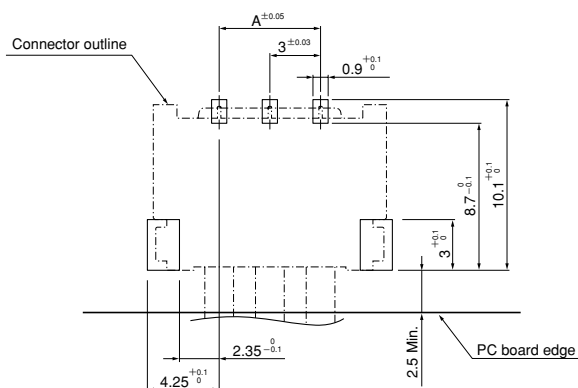
Table of product combinations

Key pattern		A	B
Housing	Color	Natural	Blue
	Model No.	LENR-()V-S-A(HF)	LENR-()V-E-B(HF)
Shrouded header	Color	Natural	Blue
	Model No.	BM()B-LENSS-A-TB(HF)	BM()B-LENES-B-TB(HF)

Standards

Recognized E 60389

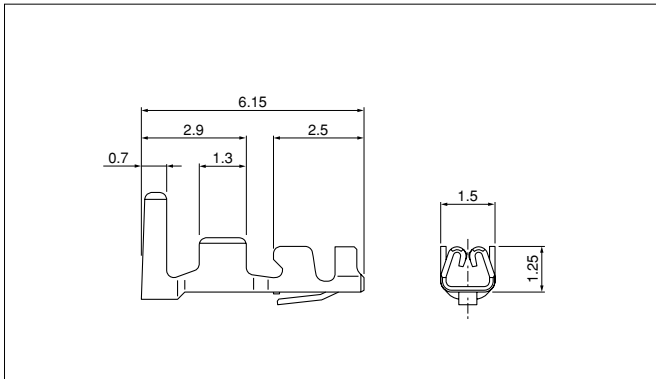
PC board layout and Assembly layout



Note: 1. The figure on the left side is the figure viewed from the connector mounting side.
2. Tolerances are non-cumulative: ±0.05 mm for all centers.
The dimensions above should serve as a guideline. Contact JST for details.

LEN CONNECTOR

Contact



Model No.	Applicable wire			Q'ty/ reel
	mm ²	AWG#	Insulation O.D. (mm)	
SLEN-001T-P0.2	0.13~0.33	26~22	0.95~1.7	9,000

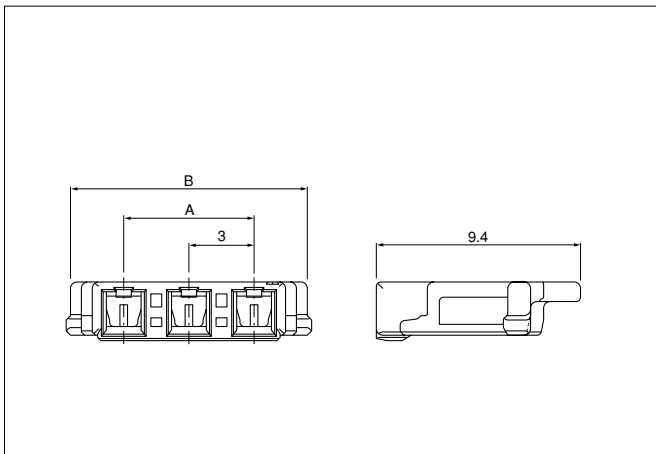
Material and Finish

Copper alloy, tin-plated (reflow treatment)

RoHS compliance

Contact	Crimping machine	Applicator		
		Crimp applicator	Dies	Crimp applicator with dies
SLEN-001T-P0.2	AP-K2N	MKS-L	MK/SLEN-001-02	APLMK SLEN001-02
		—	—	—

Housing



Circuits	Key pattern	Color	Model No.	Dimensions (mm)		Q'ty/ box
				A	B	
2	A	Natural	LENR-02V-S-A(HF)	—	7.9	2,000
	B	Blue	LENR-02V-E-B(HF)			
3	A	Natural	LENR-03V-S-A(HF)	6.0	10.9	2,000
	B	Blue	LENR-03V-E-B(HF)			
4	A	Natural	LENR-04V-S-A(HF)	9.0	13.9	1,800
	B	Blue	LENR-04V-E-B(HF)			

Material

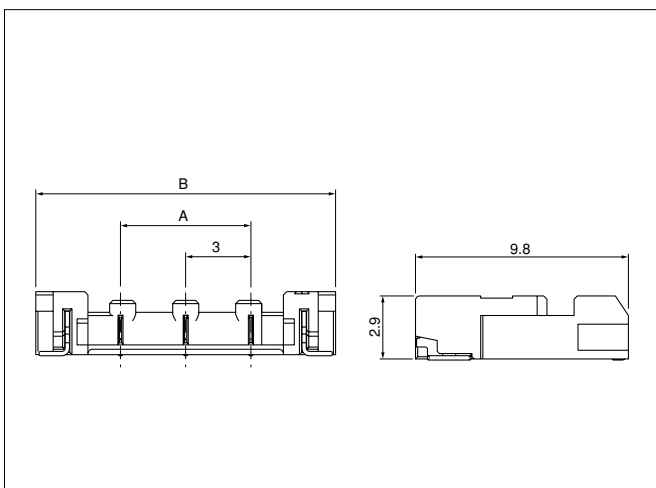
Glass-filled PA 66, UL94V-0

RoHS compliance

<For reference> As the color identification, the following alphabet shall be put in the underlined part. For availability, delivery and minimum order quantity, contact JST.

ex. **LENR-02V-S-A(HF)**
S...natural E...blue

Shrouded header



Circuits	Key pattern	Color	Model No.	Dimensions (mm)		Q'ty/ reel
				A	B	
2	A	Natural	BM02B-LENSS-A-TB(HF)	—	10.8	1,500
	B	Blue	BM02B-LENES-B-TB(HF)			
3	A	Natural	BM03B-LENSS-A-TB(HF)	6.0	13.8	1,500
	B	Blue	BM03B-LENES-B-TB(HF)			
4	A	Natural	BM04B-LENSS-A-TB(HF)	9.0	16.8	1,500
	B	Blue	BM04B-LENES-B-TB(HF)			

Material and Finish

Contact: Copper, copper-undercoated, tin-plated (reflow treatment)
Housing: PA 9T, UL94V-0

RoHS compliance

Note: The products listed above are supplied on embossed-tape.

<For reference> As the color identification, the following alphabet shall be put in the underlined part. For availability, delivery and minimum order quantity, contact JST.

ex. **BM02B-LENSS-A-TB(HF)**
S...natural E...blue

X-ON Electronics

Largest Supplier of Electrical and Electronic Components

Click to view similar products for [jst manufacturer](#):

Other Similar products are found below :

[GS3-0.5](#) [GS8-6](#) [B3B-ZR](#) [B4B-ZR](#) [B5B-XH-A](#) [B5B-ZR](#) [B6B-ZR-SM4-TF](#) [B7B-XH-A](#) [B8B-XH-A](#) [B8B-ZR](#) [BM02B-SRSS-TB](#) [BM06B-SRSS-TB](#) [BM10B-SRSS-TB](#) [FVGS5-6](#) [B2B-ZR-SM4-TF](#) [B34B-PHDSS-B\(LF\)\(SN\)](#) [B3B-ZR-SM4-TF](#) [B5B-ZR-SM4-TF](#) [B6B-XH-A](#) [B7B-ZR-SM4-TF](#) [B8B-ZR-SM4-TF](#) [B8PS-VH](#) [BM04B-SRSS-TB](#) [BM05B-SRSS-TB](#) [IDH-KR-12](#) [10HR-4K](#) [WC-ZE2426](#) [WC-691](#) [FVDDF5.5-375A \(LF\)](#) [FVGS12-6 \(LF\)](#) [FVWS2-S3.3 \(LF\)](#) [FVWS5.5-5 \(LF\)](#) [B6PS-VH\(LF\)\(SN\)](#) [FNGS12-6](#) [TWE0.5-8](#) [FVGS4-1 \(LF\)](#) [WC-GVH2630](#) [WC-PUD2](#) [S10B-PH-SM4-TB\(LF\)\(SN\)](#) [B2B-EH-A-TW \(LF\)\(SN\)](#) [B4B-EH-A-TW \(LF\)\(SN\)](#) [B4B-XH-TW \(LF\)\(SN\)](#) [B9B-XH-A](#) [BM02B-GHS-TBT](#) [BM03B-GHS-TBT](#) [BM04B-GHS-TBT](#) [BM06B-GHS-TBT](#) [BM08B-GHS-TBT](#) [BM10B-GHS-TBT](#) [SM10B-GHS-TB](#)