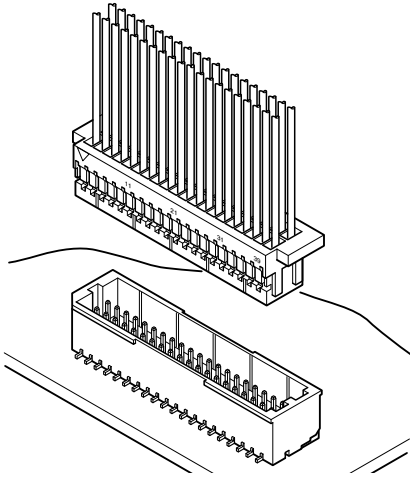




SHD CONNECTOR



1.0 mm pitch/Disconnectable Crimp style connectors



The SHD connector is compact with a mounting height of 6.3 mm for top entry type and 5.5 mm for side entry type, and a width of 5.0 mm for top entry type and 5.1 mm for side entry type.

- Compact, low profile design
- Anti-misinsertion feature
- Receptacles with protrusions
- Header designed for vacuum pick and place robotics

Specifications

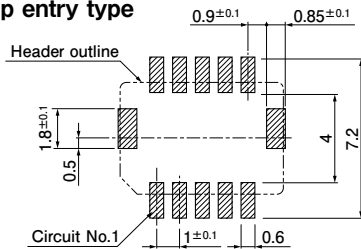
- Current rating: 1.0 A AC/DC (AWG #28)
 - Voltage rating: 50 V AC/DC
 - Temperature range: -25°C to +85°C
(including temperature rise in applying electrical current)
 - Contact resistance: Initial value/ 20 mΩ max.
After environmental tests/ 40 mΩ max.
 - Insulation resistance: 100 MΩ min.
 - Withstanding voltage: 500 VAC/minute
 - Applicable wire: Conductor size/ AWG #32 to #28
Insulation O.D./ 0.4 to 0.8 mm
- * In using the products, refer to "Handling Precautions for Terminals and Connectors" described on our website (Technical documents of Product information page).
- * RoHS2 compliance
- * Dimensional unit: mm
- * Contact JST for details.

Standards

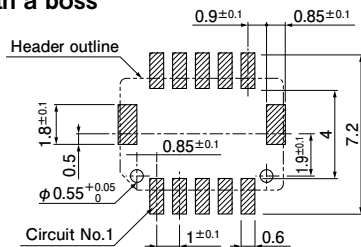
- ⚡ Recognized E60389
- Ⓢ Certified LR20812

PC board layout and Assembly layout

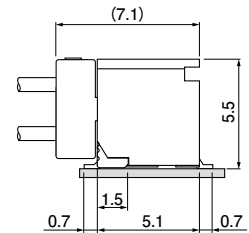
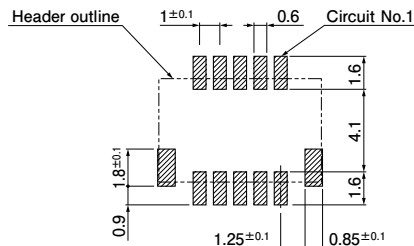
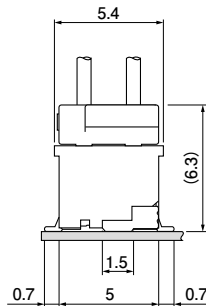
Top entry type



with a boss

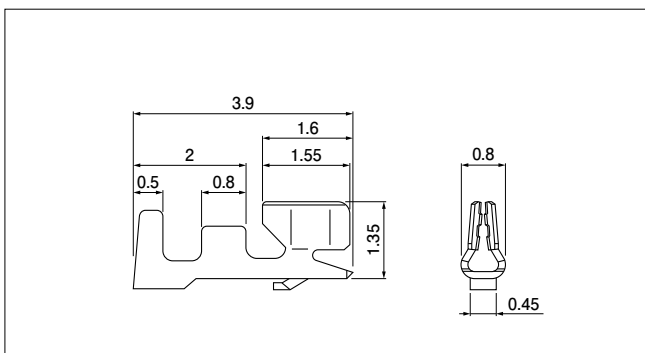


Side entry type



- Note: 1. The above figure is the figure viewed from the connector mounting side.
2. Tolerances are non-cumulative: ± 0.05 mm for all centers.
3. The dimensions above should serve as a guideline. Contact JST for details.

Contact



| Model No. | Applicable wire | | | Q'ty/ reel |
|----------------|-----------------|-------|----------------------|---------------|
| | mm ² | AWG # | Insulation O.D. (mm) | |
| SSH-003GA-P0.2 | 0.032~0.08 | 32~28 | 0.4~0.8 | 23,000 |

Material and Finish

Phosphor bronze, nickel-undercoated, Mating part; gold-plated

RoHS2 compliance

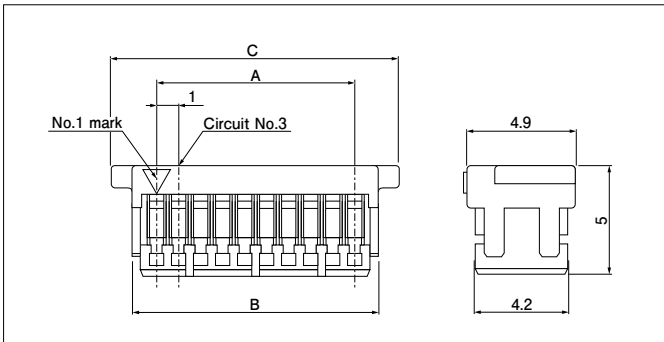
Note: Contact JST for tin-plated products.

| Contact | Crimping machine | Applicator | | |
|----------------|---------------------|------------------|-----------------|----------------------------|
| | | Crimp applicator | Dies | Crimp applicator with dies |
| SSH-003GA-P0.2 | AP-K2N | MKS-L-10-3 | MK/SSH/L-003-02 | APLMK SSH/L003-02 |

Note: Contact JST for fully automatic crimping applicator.

SHD CONNECTOR

Housing



| No. of circuits | Model No. | Dimensions (mm) | | | Q'ty/box |
|-----------------|--------------|-----------------|------|------|----------|
| | | A | B | C | |
| 20 | SHDR-20V-S-B | 9.0 | 11.2 | 13.0 | 4,000 |
| 30 | SHDR-30V-S-B | 14.0 | 16.2 | 18.0 | 4,000 |
| 40 | SHDR-40V-S-B | 19.0 | 21.2 | 23.0 | 2,000 |
| 50 | SHDR-50V-S-B | 24.0 | 26.2 | 28.0 | 2,000 |

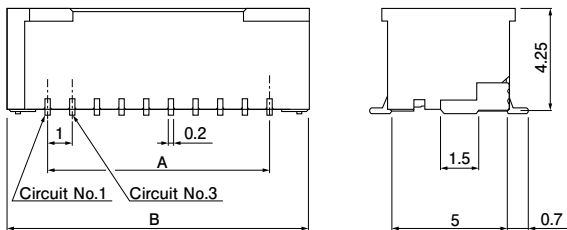
Material and Finish

PBT, UL94V-0, natural (white)

RoHS2 compliance

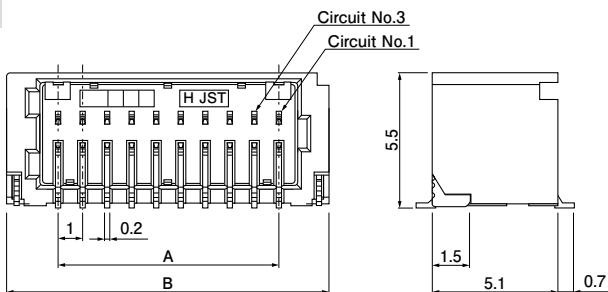
Shrouded header

Top entry type



| No. of circuits | Model No. | Dimensions (mm) | | Q'ty/reel |
|-----------------|-----------------|-----------------|------|-----------|
| | | A | B | |
| 20 | BM20B-SRDS-G-TF | 9.0 | 12.3 | 1,500 |
| 30 | BM30B-SRDS-G-TF | 14.0 | 17.3 | 1,500 |
| 40 | BM40B-SRDS-G-TF | 19.0 | 22.3 | 1,500 |
| 50 | BM50B-SRDS-G-TF | 24.0 | 27.3 | 1,500 |

Side entry type



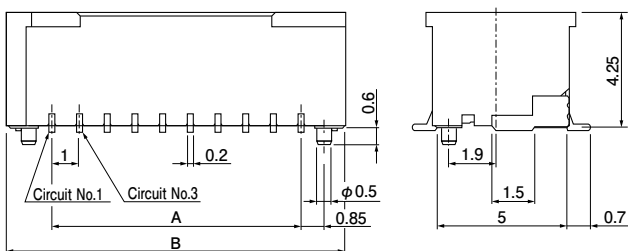
| No. of circuits | Model No. | Dimensions (mm) | | Q'ty/reel |
|-----------------|-----------------|-----------------|------|-----------|
| | | A | B | |
| 20 | SM20B-SRDS-G-TF | 9.0 | 13.1 | 1,250 |
| 30 | SM30B-SRDS-G-TF | 14.0 | 18.1 | 1,250 |
| 40 | SM40B-SRDS-G-TF | 19.0 | 23.1 | 1,250 |
| 50 | SM50B-SRDS-G-TF | 24.0 | 28.1 | 1,250 |

Material and Finish

Header contact: Phosphor bronze, nickel-undercoated, gold-plated
 Wafer: PA, UL94V-0, natural (ivory)
 Solder tab: Brass, copper-undercoated, tin-plated (reflow treatment)

RoHS2 compliance This product displays (LF)(SN) on a label.
 Note: 1. The products listed above are supplied on embossed-tape.
 2. Contact JST for the headers with tin-plated pins.
 3. Contact JST for the top entry type headers with suction cap.

Top entry type with a boss



| No. of circuits | Model No. | Dimensions (mm) | | Q'ty/reel |
|-----------------|-------------------|-----------------|------|-----------|
| | | A | B | |
| 20 | BM20B-SRDS-A-G-TF | 9.0 | 12.3 | 1,250 |
| 30 | BM30B-SRDS-A-G-TF | 14.0 | 17.3 | 1,250 |
| 40 | BM40B-SRDS-A-G-TF | 19.0 | 22.3 | 1,250 |
| 50 | BM50B-SRDS-A-G-TF | 24.0 | 27.3 | 1,250 |

Material and Finish

Header contact: Phosphor bronze, nickel-undercoated, gold-plated
 Wafer: PA, UL94V-0, natural (ivory)
 Solder tab: Brass, copper-undercoated, tin-plated (reflow treatment)

RoHS2 compliance This product displays (LF)(SN) on a label.
 Note: 1. The products listed above are supplied on embossed-tape.
 2. Contact JST for the headers with tin-plated pins.

X-ON Electronics

Largest Supplier of Electrical and Electronic Components

Click to view similar products for [jst manufacturer](#):

Other Similar products are found below :

[GS3-0.5](#) [GS8-6](#) [B3B-ZR](#) [B4B-ZR](#) [B5B-XH-A](#) [B5B-ZR](#) [B6B-ZR-SM4-TF](#) [B7B-XH-A](#) [B8B-XH-A](#) [B8B-ZR](#) [BM02B-SRSS-TB](#) [BM06B-SRSS-TB](#) [BM10B-SRSS-TB](#) [FVGS5-6](#) [B2B-ZR-SM4-TF](#) [B34B-PHDSS-B\(LF\)\(SN\)](#) [B3B-ZR-SM4-TF](#) [B5B-ZR-SM4-TF](#) [B6B-XH-A](#) [B7B-ZR-SM4-TF](#) [B8B-ZR-SM4-TF](#) [B8PS-VH](#) [BM04B-SRSS-TB](#) [BM05B-SRSS-TB](#) [IDH-KR-12](#) [10HR-4K](#) [WC-ZE2426](#) [WC-691](#) [FVDDF5.5-375A \(LF\)](#) [FVGS12-6 \(LF\)](#) [FVWS2-S3.3 \(LF\)](#) [FVWS5.5-5 \(LF\)](#) [B6PS-VH\(LF\)\(SN\)](#) [FNGS12-6](#) [TWE0.5-8](#) [FVGS4-1 \(LF\)](#) [WC-GVH2630](#) [WC-PUD2](#) [S10B-PH-SM4-TB\(LF\)\(SN\)](#) [B2B-EH-A-TW \(LF\)\(SN\)](#) [B4B-EH-A-TW \(LF\)\(SN\)](#) [B4B-XH-TW \(LF\)\(SN\)](#) [B9B-XH-A](#) [BM02B-GHS-TBT](#) [BM03B-GHS-TBT](#) [BM04B-GHS-TBT](#) [BM06B-GHS-TBT](#) [BM08B-GHS-TBT](#) [BM10B-GHS-TBT](#) [SM10B-GHS-TB](#)