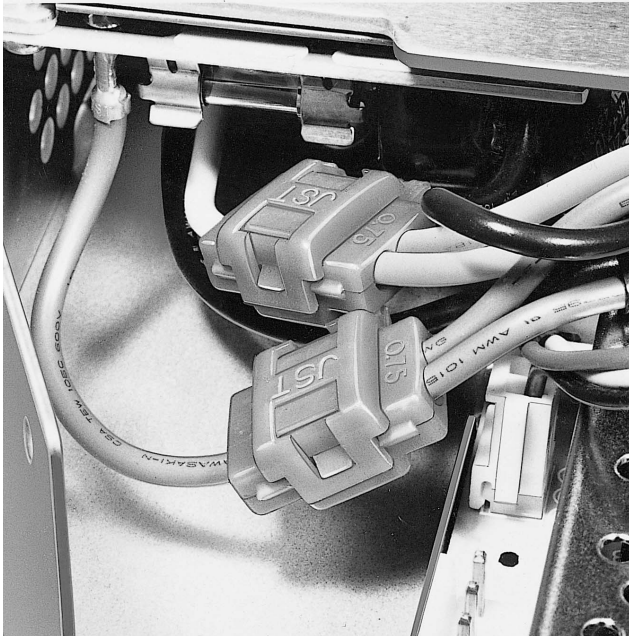
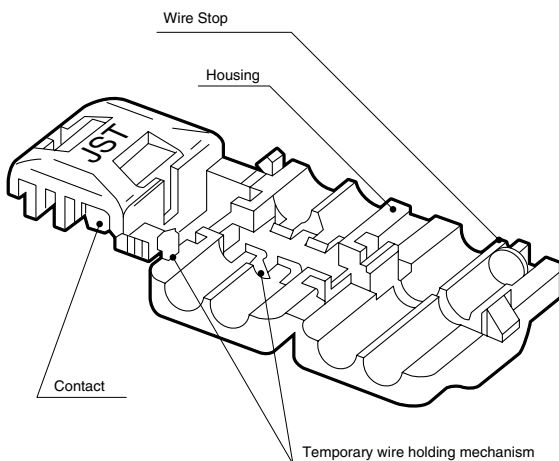


CL CONNECTOR

Insulation displacement Wire-to-wire connectors



The CL is a low-voltage, insulation displacement connector that can be applied using simple tools.



Features

- **A simple operation completes this insulation displacement splice**

Wire conductors can be securely connected to the internal fork-shaped contacts of this connector by simply pressing the connector housing halves together with pliers. It is not necessary to strip the wires or to use special tools.

- **Superior insulation performance**

The connector housing provides a highly effective insulation, and no further insulating operations are necessary.

- **Temporary wire holding mechanism**

A temporary wire holding mechanism prevents the wire from moving or being improperly connected during wire connection.

Specifications

- Current rating: 7A AC, DC max. (CL-2218T, CL-2218S)
15A AC, DC max. (CL-1814T, CL-1814S)
- Voltage rating: 300V AC, DC
- Maximum temperature: 105°C (including temperature rise in applying electrical current)
- Applicable wire: UL1015, VSF/AWG #22 to #18
0.3 to 0.75mm²
(CL-2218T, CL-2218S)
UL1015, VSF/AWG #18 to #14
0.75 to 2.0mm²
(CL-1814T, CL-1814S)

* Compliant with RoHS.

* Refer to "General Instruction and Notice when using Terminals and Connectors" at the end of this catalog.

* Contact JST for details.

Standards

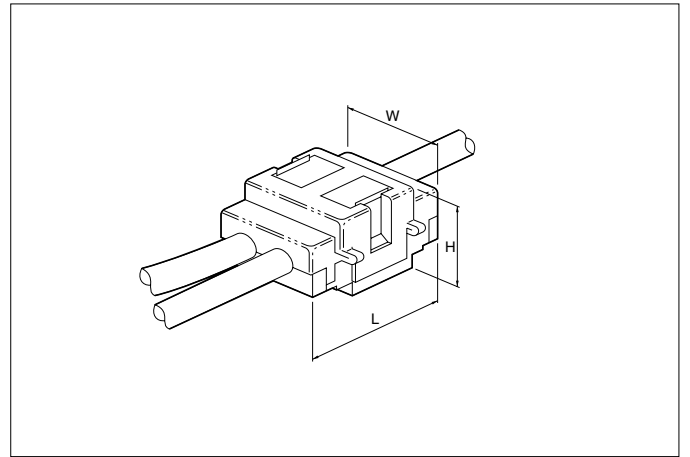
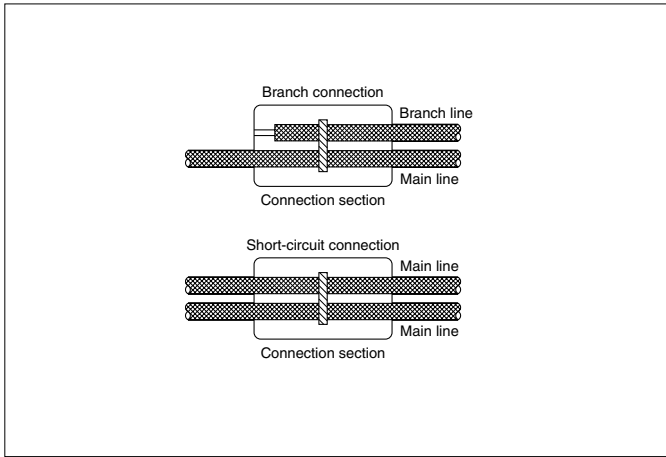
Listed E42024

Certified LR20812

CL CONNECTOR

Connection method

Connector dimensions



Con- nection method	Model No.	Applicable wire			Dimension (mm)			Material and Finish		Color	Q'ty / bag
		mm ²	AWG #	Insulation O.D. (mm)	W	H	L	Contact	Housing		
Branch	CL-2218T	0.3 to 0.75	22 to 18	2.2 to 3.2	13.8	11.0	20.0	Brass, tin-plated	PA 6, UL94V-2	Red	500
	CL-1814T	0.75 to 2.0	18 to 14	2.4 to 3.9	14.4					Blue	
Short- circuit	CL-2218S	0.3 to 0.75	22 to 18	2.2 to 3.2	13.8					Red	
	CL-1814S	0.75 to 2.0	18 to 14	2.4 to 3.9	14.4					Blue	

RoHS compliance

Note: Contact JST for details if you require special wires, for example, the wires insulated with the material other than soft vinyl, or with tens of conductors.

X-ON Electronics

Largest Supplier of Electrical and Electronic Components

Click to view similar products for [I/O Connectors](#) category:

Click to view products by [JST](#) manufacturer:

Other Similar products are found below :

[571763P](#) [59811-0000](#) [61-168618-12P](#) [D20419-211](#) [76871-1403](#) [PCR-E36PM](#) [PCS-XE26LKA](#) [PCS-XES68MS+](#) [G38A71314B](#) [9776-18-6](#)
[DX40-50P\(55\)](#) [1571250010](#) [157-22500-3](#) [MS3471L14-19P L/C](#) [192991-0703](#) [SM3100RC14S-9P-115](#) [FCN-260C008-A/L0](#) [FCN-260C024-](#)
[AL0](#) [FCN-261Z008](#) [2000314-1](#) [200331-1](#) [PCS-E28FS+](#) [PCS-XE26SLFD+](#) [PCS-XE26SLFDT+](#) [G730VID08BDC24](#) [HDMR-29-01-S-SM-](#)
[TR](#) [HDR-E14MSG1+](#) [54182-0605](#) [UE86K842720321](#) [38113800006](#) [DP3AR020WQ1R200](#) [DRA-26PC-F0R](#) [Z4.102.0680.0](#) [500-1040](#) [500-](#)
[1052](#) [ZP-4008-66L](#) [10-584459-12P](#) [DX40-20P\(55\)](#) [5554841-1](#) [SM3100F14S-12P](#) [SM3106F14S-7S-LC](#) [SM3106R18-18S](#) [U90B3054061110](#)
[U65-E04-4020](#) [557-262M2-06C](#) [PCS-96LFD+](#) [60-042222-02S](#) [10099439-003C-TRLF](#) [226-0348-000](#) [10137239-0021LF](#)