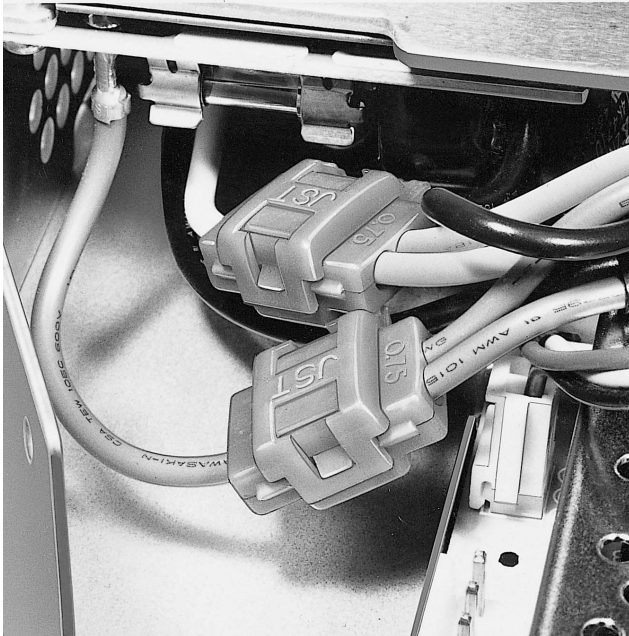
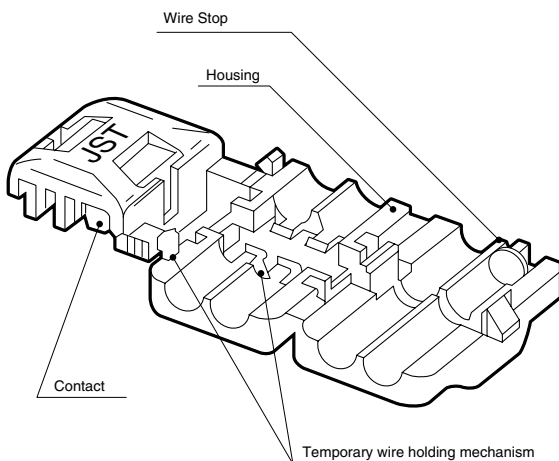


CL CONNECTOR

Insulation displacement Wire-to-wire connectors



The CL is a low-voltage, insulation displacement connector that can be applied using simple tools.



Features

- **A simple operation completes this insulation displacement splice**

Wire conductors can be securely connected to the internal fork-shaped contacts of this connector by simply pressing the connector housing halves together with pliers. It is not necessary to strip the wires or to use special tools.

- **Superior insulation performance**

The connector housing provides a highly effective insulation, and no further insulating operations are necessary.

- **Temporary wire holding mechanism**

A temporary wire holding mechanism prevents the wire from moving or being improperly connected during wire connection.

Specifications

- Current rating: 7A AC, DC max. (CL-2218T, CL-2218S)
15A AC, DC max. (CL-1814T, CL-1814S)
- Voltage rating: 300V AC, DC
- Maximum temperature: 105°C (including temperature rise in applying electrical current)
- Applicable wire: UL1015, VSF/AWG #22 to #18
0.3 to 0.75mm²
(CL-2218T, CL-2218S)
UL1015, VSF/AWG #18 to #14
0.75 to 2.0mm²
(CL-1814T, CL-1814S)

* Compliant with RoHS.

* Refer to "General Instruction and Notice when using Terminals and Connectors" at the end of this catalog.

* Contact JST for details.

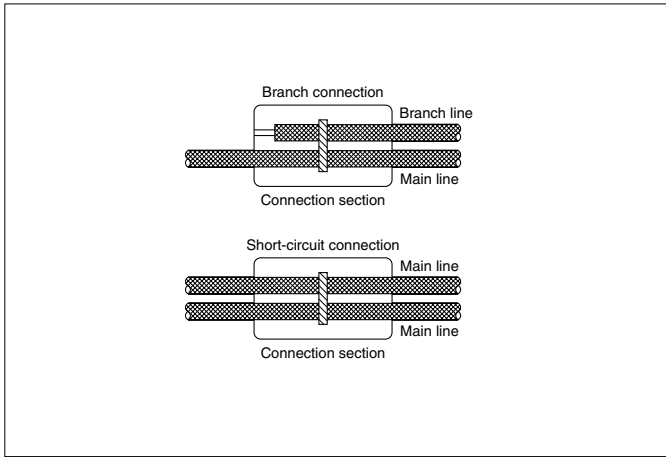
Standards

Listed E42024

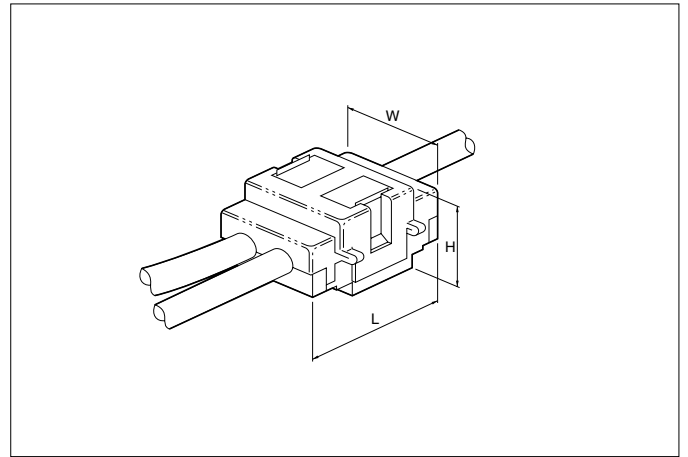
Certified LR20812

CL CONNECTOR

Connection method



Connector dimensions



Con- nection method	Model No.	Applicable wire			Dimension (mm)			Material and Finish		Color	Q'ty / bag
		mm ²	AWG #	Insulation O.D. (mm)	W	H	L	Contact	Housing		
Branch	CL-2218T	0.3 to 0.75	22 to 18	2.2 to 3.2	13.8	11.0	20.0	Brass, tin-plated	PA 6, UL94V-2	Red	500
	CL-1814T	0.75 to 2.0	18 to 14	2.4 to 3.9	14.4					Blue	
Short- circuit	CL-2218S	0.3 to 0.75	22 to 18	2.2 to 3.2	13.8					Red	
	CL-1814S	0.75 to 2.0	18 to 14	2.4 to 3.9	14.4					Blue	

RoHS compliance

Note: Contact JST for details if you require special wires, for example, the wires insulated with the material other than soft vinyl, or with tens of conductors.

X-ON Electronics

Largest Supplier of Electrical and Electronic Components

Click to view similar products for [Headers & Wire Housings](#) category:

Click to view products by [JST](#) manufacturer:

Other Similar products are found below :

[0015917161](#) [0022155065](#) [57102-F02-18ULF](#) [58102-G61-06LF](#) [582553-1](#) [01.001.5753.1](#) [0050291907](#) [02.125.8002.8](#) [609-3404](#) [61062-3](#)
[CSU011177004](#) [622-0430](#) [622-3653LF](#) [63453-116](#) [636-1030](#) [636-1427](#) [636-3427](#) [636-4007](#) [641938-9](#) [65495-038](#) [65692-001LF](#) [65781-018](#)
[65781-047](#) [65817-010LF](#) [65817-015LF](#) [67095-007LF](#) [67601157](#) [68631-112](#) [68645-018](#) [699319-000](#) [70.362.1628.0](#) [70-4210](#) [70-4226B](#) [70-](#)
[4853B](#) [71.350.2428.0](#) [733-134](#) [733-162](#) [MHR-64-VUAL](#) [80.063.4001.1](#) [800-90-001-10-001000](#) [801-43-002-10-013000](#) [801-43-006-10-](#)
[002000](#) [803-43-024-10-001000](#) [803-93-012-10-001000](#) [8-1437020-4](#) [819-22-004-30-001101](#) [820-22-006-30-001101](#) [820-22-008-30-001101](#)
[821-22-002-10-001101](#) [821-22-003-10-002101](#)