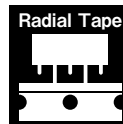
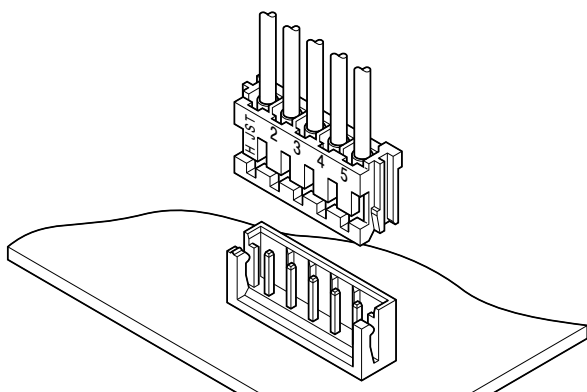


EH CONNECTOR



2.5 mm pitch/Disconnectable Crimp style connectors



This, the thinnest, 2.5 mm pitch connector, is 8.1 mm in height after mounting and 3.8 mm in width. It is designed to meet the demand for the high-density connection of internal wires to printed circuit boards. It is compact, highly reliable and low in cost.

- Compact and slim
- Highly reliable contact
- Polarizing guides
- Easy and effective crimping

Specifications

- Current rating: 3 A AC/DC (AWG #22)
- Voltage rating: 250 V AC/DC
- Temperature range: -25°C to +85°C
(including temperature rise in applying electrical current)
- Contact resistance: Initial value/ 10 mΩ max.
After environmental tests/ 20 mΩ max.
- Insulation resistance: 1,000 MΩ min.
- Withstanding voltage: 800 VAC/minute
- Applicable wire: AWG #32 to #22
- Applicable PC board thickness: 0.8 to 1.6 mm

* In using the products, refer to "Handling Precautions for Terminals and Connectors" described on our website (Technical documents of Product information page).

* RoHS2 compliance

* Dimensional unit: mm

* Contact JST for details.

Standards

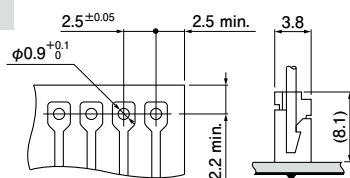
Recognized E60389

Certified LR20812

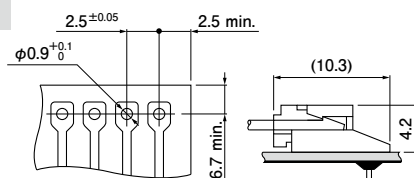
R50082349

PC board layout and Assembly layout

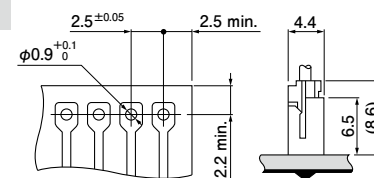
Top entry type



Side entry type



Radial-tape

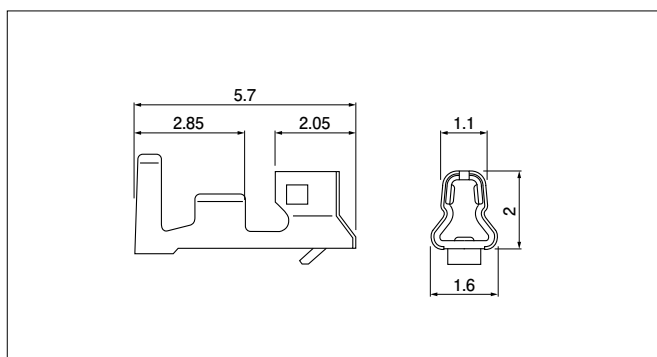


Note: 1. The above figure is the figure viewed from soldering side.

2. Tolerances are non-cumulative: ± 0.05 mm for all centers.

3. Hole dimension differ according to the type of PC board and piercing method. If PC boards made of hard material are used, the hole dimensions should be larger. The dimensions above should serve as a guideline. Contact JST for details.

Contact



| Model No. | Applicable wire | | Insulation O.D. (mm) | Q'ty/reel |
|-----------------|-----------------|-------|----------------------|-----------|
| | mm ² | AWG # | | |
| SEH-001T-P0.6 | 0.05 ~0.33 | 30~22 | 1.0~1.9 | 9,000 |
| *SEH-001T-P0.6L | 0.13 ~0.33 | 26~22 | 0.9~1.9 | |
| *SEH-002T-P0.6L | 0.05 ~0.13 | 30~26 | 0.9~1.3 | 10,000 |
| *SEH-003T-P0.6L | 0.032~0.08 | 32~28 | 0.5~1.1 | |

Material and Finish

Phosphor bronze, tin-plated (reflow treatment)

RoHS2 compliance

Note: 1. Contact JST for gold-plated products.

2. SEH-00()T-P0.6L is low-insertion force type contact, for easier insertion/withdrawal, which would be less resistant to the vibration. The crimp height is different from the standard contact.

3. *Marked products are not TÜV approved.

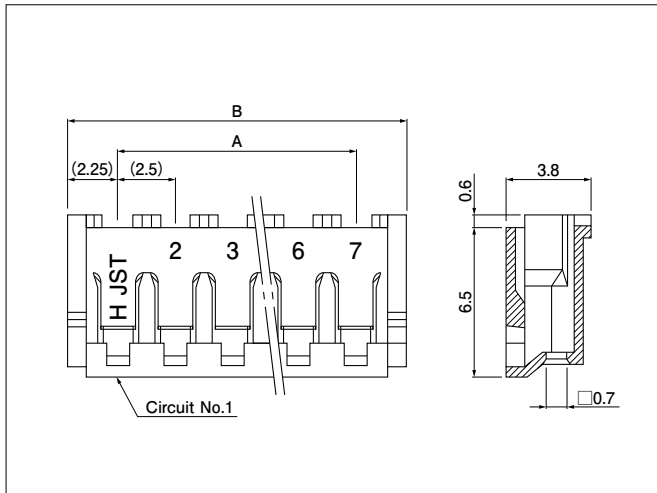
4. Contact JST for details.

| Contact | Crimping machine | Applicator | | |
|----------------|------------------|------------------|----------------|----------------------------|
| | | Crimp applicator | Dies | Crimp applicator with dies |
| SEH-001T-P0.6 | AP-K2N | MKS-L | MK/SEH-001-06 | APLMK SEH001-06 |
| SEH-001T-P0.6L | | | MK/SEH-001-06L | APLMK SEH001-06L |
| SEH-002T-P0.6L | | MKS-L-10 | MK/SEH-002-06L | APLMK SEH002-06L |
| SEH-003T-P0.6L | | | MK/SEH-003-06L | APLMK SEH003-06L |

Note: Contact JST for fully automatic crimping applicator.

EH CONNECTOR

Housing



| No. of circuits | Model No. | Dimensions (mm) | | Q'ty/bag |
|-----------------|-----------|-----------------|------|----------|
| | | A | B | |
| 2 | EHR-2 | 2.5 | 7.0 | 1,000 |
| 3 | EHR-3 | 5.0 | 9.5 | 1,000 |
| 4 | EHR-4 | 7.5 | 12.0 | 1,000 |
| 5 | EHR-5 | 10.0 | 14.5 | 1,000 |
| 6 | EHR-6 | 12.5 | 17.0 | 1,000 |
| 7 | EHR-7 | 15.0 | 19.5 | 1,000 |
| 8 | EHR-8 | 17.5 | 22.0 | 1,000 |
| 9 | EHR-9 | 20.0 | 24.5 | 1,000 |
| 10 | EHR-10 | 22.5 | 27.0 | 1,000 |
| 11 | EHR-11 | 25.0 | 29.5 | 1,000 |
| 12 | EHR-12 | 27.5 | 32.0 | 1,000 |
| 13 | EHR-13 | 30.0 | 34.5 | 1,000 |
| 14 | EHR-14 | 32.5 | 37.0 | 1,000 |
| 15 | EHR-15 | 35.0 | 39.5 | 1,000 |

Material and Finish

PA 66, UL94V-0, natural (white)

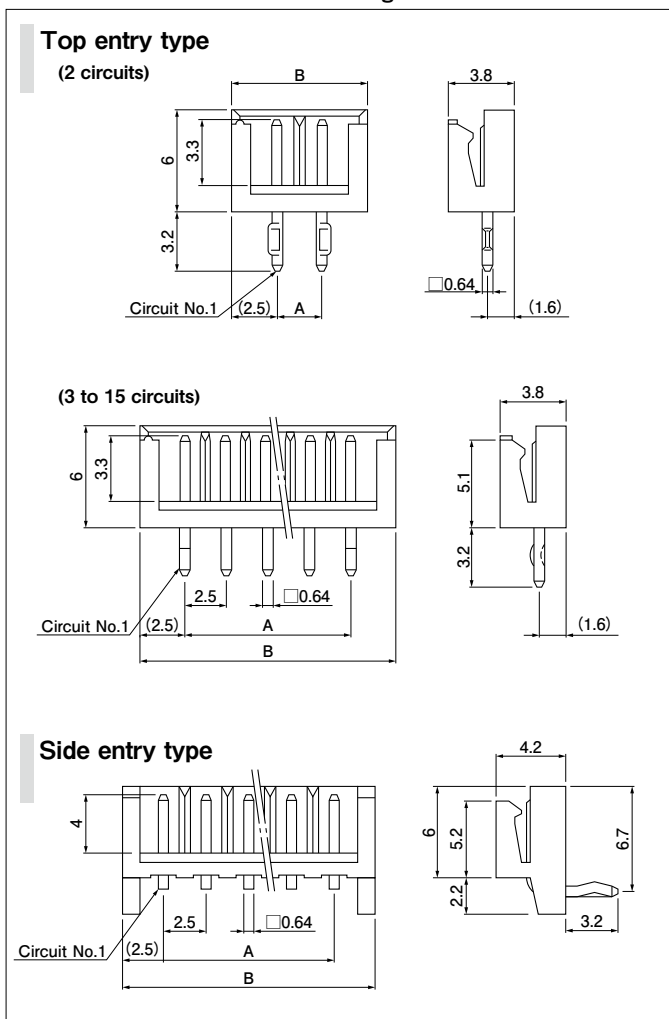
RoHS2 compliance

<For reference> As the color identification, the following alphabet shall be put in the underlined part. For availability, delivery and minimum order quantity, contact JST.

ex. **EHR-2-oo**
 (blank)...natural (white)
 K...black R...red TR...tomato red E...blue Y...yellow
 L...lemon yellow M...green O...orange N...brown PL...purple
 PK...pink H...gray LE...light blue FY...vivid yellow

Shrouded header

The shrouded headers are interchangeable with those of the HR crimp style and insulation displacement connectors.



| No. of circuits | Model No. | | Dimensions (mm) | | Q'ty/box | |
|-----------------|----------------|-----------------|-----------------|------|----------------|-----------------|
| | Top entry type | Side entry type | A | B | Top entry type | Side entry type |
| 2 | B2B-EH-A | S2B-EH | 2.5 | 7.5 | 1,000 | 1,000 |
| 3 | B3B-EH-A | S3B-EH | 5.0 | 10.0 | 1,000 | 1,000 |
| 4 | B4B-EH-A | S4B-EH | 7.5 | 12.5 | 1,000 | 1,000 |
| 5 | B5B-EH-A | S5B-EH | 10.0 | 15.0 | 1,000 | 1,000 |
| 6 | B6B-EH-A | S6B-EH | 12.5 | 17.5 | 1,000 | 500 |
| 7 | B7B-EH-A | S7B-EH | 15.0 | 20.0 | 1,000 | 500 |
| 8 | B8B-EH-A | S8B-EH | 17.5 | 22.5 | 500 | 500 |
| 9 | B9B-EH-A | S9B-EH | 20.0 | 25.0 | 500 | 500 |
| 10 | B10B-EH-A | S10B-EH | 22.5 | 27.5 | 500 | 500 |
| 11 | B11B-EH-A | S11B-EH | 25.0 | 30.0 | 500 | 250 |
| 12 | B12B-EH-A | S12B-EH | 27.5 | 32.5 | 500 | 250 |
| 13 | B13B-EH-A | S13B-EH | 30.0 | 35.0 | 250 | 250 |
| 14 | B14B-EH-A | S14B-EH | 32.5 | 37.5 | 250 | 250 |
| 15 | B15B-EH-A | S15B-EH | 35.0 | 40.0 | 250 | 250 |

Material and Finish

Post: Brass, copper-undercoated, tin-plated (reflow treatment)
 Wafer: PA 66, UL94V-0, natural (white)

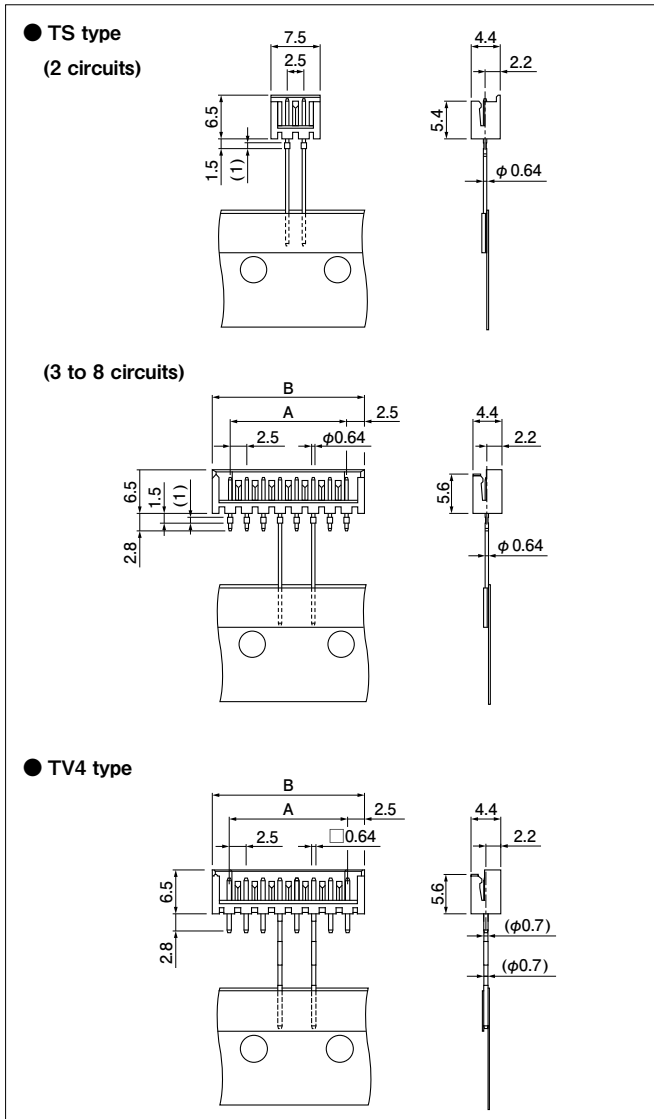
RoHS2 compliance This product displays (LF)(SN) on a label.
 Note: Also available and identified as model BxxB-EH is a top entry type having a post extension length of 4.0 mm.

<For reference> As the color identification, the following alphabet shall be put in the underlined part. For availability, delivery and minimum order quantity, contact JST.

<Top entry type>
 ex. **B2B-EH-A-oo**
 (blank)...natural (white)
 K...black R...red E...blue Y...yellow M...green

<Side entry type>
 ex. **S2B-EH-oo**
 (blank)...natural (white)
 K...black R...red TR...tomato red E...blue Y...yellow
 L...lemon yellow M...green O...orange N...brown P...purple
 PK...pink H...gray LE...light blue FY...vivid yellow

Shrouded header on radial-tape



| No. of circuits | Model No. | | Dimensions (mm) | | Q'ty/box |
|-----------------|-----------|------------|-----------------|------|----------|
| | TS type | TV4 type | A | B | |
| 2 | B2B-EH-TS | — | — | — | 1,400 |
| 3 | B3B-EH-TS | B3B-EH-TV4 | 5.0 | 10.0 | 1,400 |
| 4 | B4B-EH-TS | B4B-EH-TV4 | 7.5 | 12.5 | 700 |
| 5 | B5B-EH-TS | B5B-EH-TV4 | 10.0 | 15.0 | 700 |
| 6 | B6B-EH-TS | B6B-EH-TV4 | 12.5 | 17.5 | 700 |
| 7 | B7B-EH-TS | B7B-EH-TV4 | 15.0 | 20.0 | 700 |
| 8 | B8B-EH-TS | B8B-EH-TV4 | 17.5 | 22.5 | 700 |

Material and Finish

Pin/Post: Brass, copper-undercoated, tin-plated (reflow treatment)
Wafer: PA 66, UL94V-0, natural (white)

RoHS2 compliance This product displays (LF)(SN) on a label.

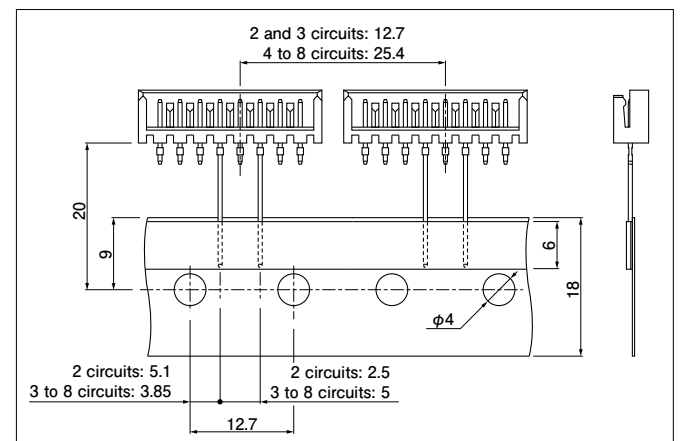
<For reference> As the color identification, the following alphabet shall be put in the underlined part. For availability, delivery and minimum order quantity, contact JST.

ex. **B2B-EH-TS-oo**

(blank)...natural (white)

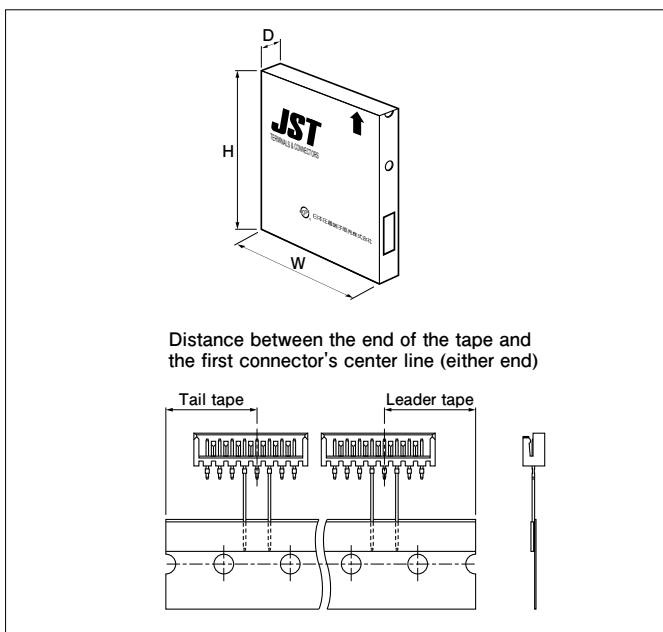
K...black R...red E...blue Y...yellow M...green N...brown

Taping specifications



Note: Conforms to JIC C 0806 of "Tape packaging of components with unidirectional leads on continuous tapes".

Packaging specifications



| | | |
|---|---------------------------------------|----------------|
| Package type | Flat pack (zigzag folded) | |
| Distance between folds | 24 indexing holes per fold (304.8 mm) | |
| Box size | 316(W) × 45(D) × 330(H)mm | |
| Distance between the end of the tape and the first connector's center line (either end) | 19.05 mm | |
| Quantity | 2, 3 circuits | 1,400 pcs./box |
| | 4~8 circuits | 700 pcs./box |

Note: Products of different packaging specifications are also available. Contact JST for details.

X-ON Electronics

Largest Supplier of Electrical and Electronic Components

Click to view similar products for [Headers & Wire Housings](#) category:

Click to view products by [JST](#) manufacturer:

Other Similar products are found below :

[0015917161](#) [0022155065](#) [57102-F02-18ULF](#) [58102-G61-06LF](#) [582553-1](#) [01.001.5753.1](#) [0050291907](#) [02.125.8002.8](#) [609-3404](#) [61062-3](#)
[CSU011177004](#) [622-0430](#) [622-3653LF](#) [63453-116](#) [636-1030](#) [636-1427](#) [636-3427](#) [636-4007](#) [641938-9](#) [65495-038](#) [65692-001LF](#) [65781-018](#)
[65781-047](#) [65817-010LF](#) [65817-015LF](#) [67095-007LF](#) [67601157](#) [68631-112](#) [699319-000](#) [70.362.1628.0](#) [70-4210](#) [70-4226B](#) [70-4853B](#) [707-](#)
[5028](#) [71.350.2428.0](#) [733-134](#) [733-162](#) [760-3052](#) [MHR-64-VUAL](#) [80.063.4001.1](#) [800-90-001-10-001000](#) [801-43-002-10-013000](#)
[801-43-006-10-002000](#) [803-43-024-10-001000](#) [803-93-012-10-001000](#) [8-1437020-4](#) [819-22-004-30-001101](#) [820-22-006-30-001101](#)
[820-22-008-30-001101](#) [821-22-002-10-001101](#)