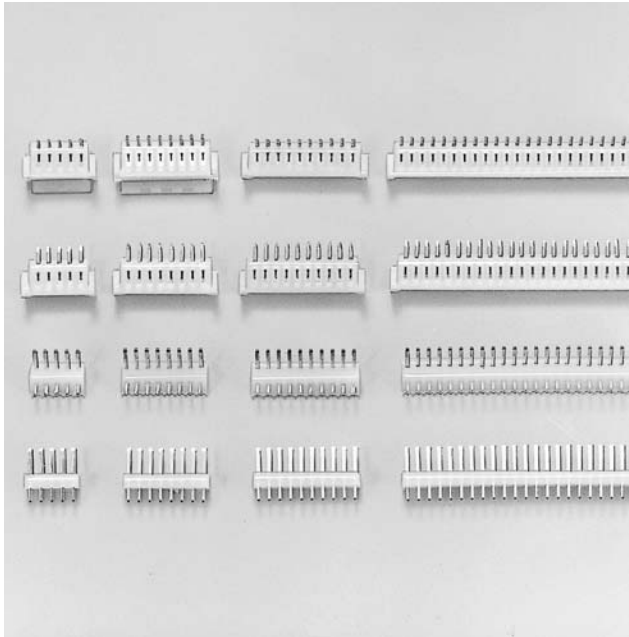
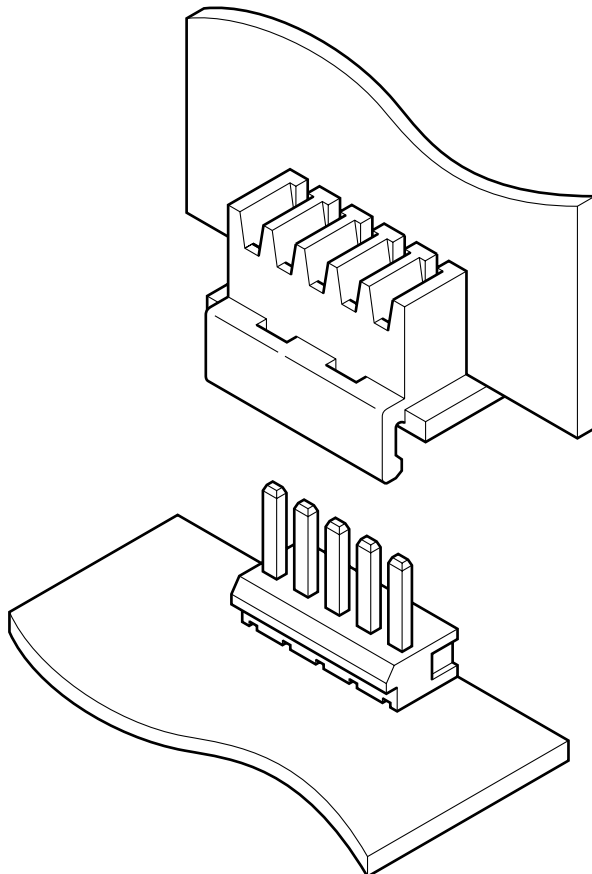


HVQ CONNECTOR

Board-to-board connectors



This 2.5 mm pitch connector is used to interconnect printed circuit boards in parallel, vertically or horizontally.



Features

• Superior folded beam construction

- (1) This sturdy construction withstands repeated stress, resists permanent deformation, and offers a very long service life.
- (2) This contact design has a large tolerance for variations in mating post thickness and resists deformation when pried.

• Wide, sturdy post

The post has a large cross-sectional area to resist prying during insertion into printed circuit boards and mating with connector housings.

• Molded-in header

The posts are molded into the insulator to provide stability when mounted on printed circuit boards. This also prevents flux from entering the connector during soldering.

Specifications

- Current rating: 3 A AC, DC
- Voltage rating: 250 V AC, DC
- Temperature range: -25°C to +85°C
(including temperature rise in applying electrical current)
- Contact resistance: Initial value/ 10 mΩ max.
After environmental tests/ 20 mΩ max.
- Insulation resistance: 500 MΩ min.
- Withstanding voltage: 1,500 VAC/minute
- Applicable PC board thickness: 1.6 mm

* Refer to "General Instruction and Notice when using Terminals and Connectors" at the end of this catalog.

* Contact JST for details.

* Compliant with RoHS.

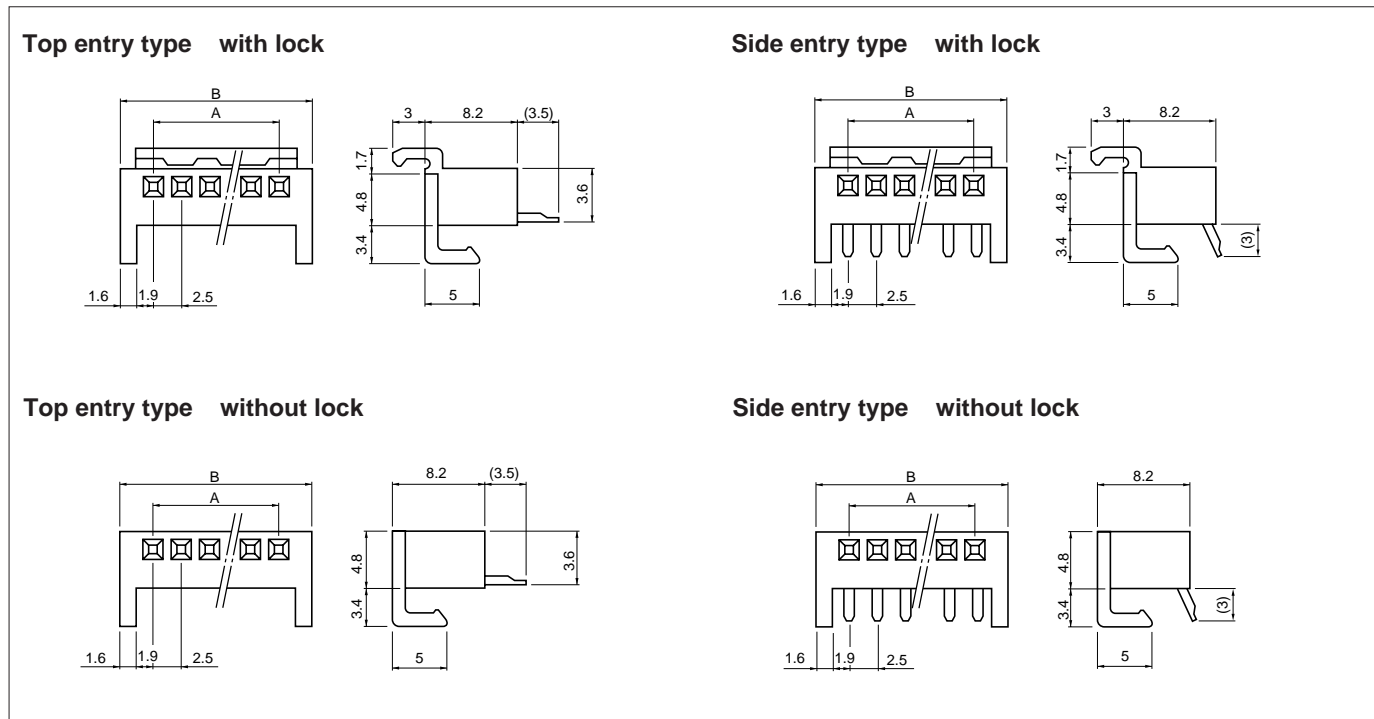
Standards

Recognized E60389

Certified LR20812

HVQ CONNECTOR

Receptacle



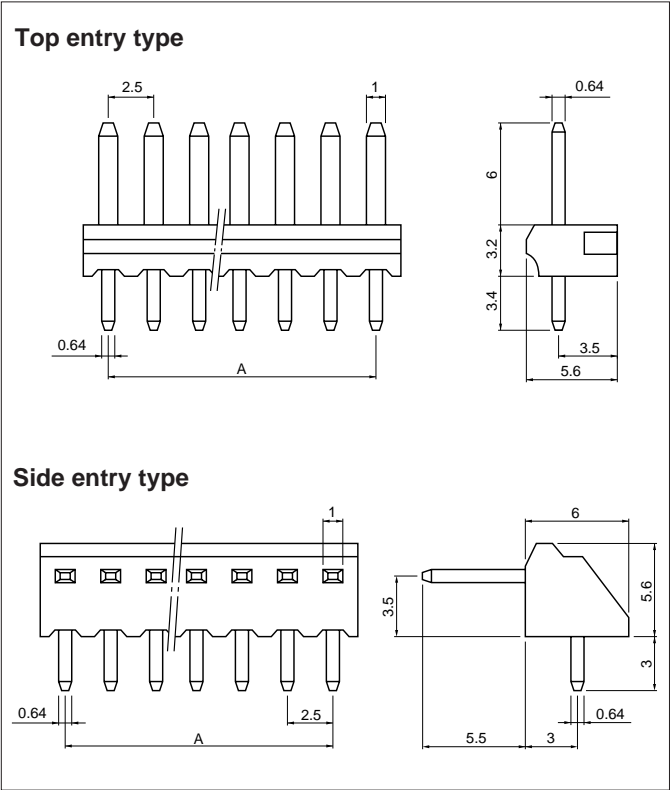
Circuits	Model No.				Dimensions (mm)		Q'ty/box	
	Top entry type		Side entry type		A	B	With lock	Without lock
	With lock	Without lock	With lock	Without lock				
3	–	F 3P-HVQ	–	F 3P-SHVQ	5.0	12.0	–	500
4	–	F 4P-HVQ	–	F 4P-SHVQ	7.5	14.5	–	500
5	5P-HVQ	F 5P-HVQ	5P-SHVQ	F 5P-SHVQ	10.0	17.0	250	250
6	6P-HVQ	F 6P-HVQ	6P-SHVQ	F 6P-SHVQ	12.5	19.5	250	250
7	7P-HVQ	F 7P-HVQ	7P-SHVQ	F 7P-SHVQ	15.0	22.0	200	250
8	8P-HVQ	F 8P-HVQ	8P-SHVQ	F 8P-SHVQ	17.5	24.5	200	200
9	9P-HVQ	F 9P-HVQ	9P-SHVQ	F 9P-SHVQ	20.0	27.0	200	200
10	10P-HVQ	F10P-HVQ	10P-SHVQ	F10P-SHVQ	22.5	29.5	100	200
11	11P-HVQ	F11P-HVQ	11P-SHVQ	F11P-SHVQ	25.0	32.0	100	150
12	12P-HVQ	F12P-HVQ	12P-SHVQ	F12P-SHVQ	27.5	34.5	100	150
13	–	F13P-HVQ	–	F13P-SHVQ	30.0	37.0	–	100
14	–	F14P-HVQ	–	F14P-SHVQ	32.5	39.5	–	100
15	–	F15P-HVQ	–	F15P-SHVQ	35.0	42.0	–	100
16	–	F16P-HVQ	–	F16P-SHVQ	37.5	44.5	–	100
17	–	F17P-HVQ	–	F17P-SHVQ	40.0	47.0	–	100
18	–	F18P-HVQ	–	F18P-SHVQ	42.5	49.5	–	100
19	–	F19P-HVQ	–	F19P-SHVQ	45.0	52.0	–	100
20	–	F20P-HVQ	–	F20P-SHVQ	47.5	54.5	–	100
21	–	F21P-HVQ	–	F21P-SHVQ	50.0	57.0	–	100
22	–	F22P-HVQ	–	F22P-SHVQ	52.5	59.5	–	100
23	–	F23P-HVQ	–	F23P-SHVQ	55.0	62.0	–	100
24	–	F24P-HVQ	–	F24P-SHVQ	57.5	64.5	–	100
25	–	F25P-HVQ	–	F25P-SHVQ	60.0	67.0	–	100

Material and Finish

Contact: Brass, tin-plated (reflow treatment)
Housing: PA 66, UL94V-2, natural

RoHS compliance

Shrouded header



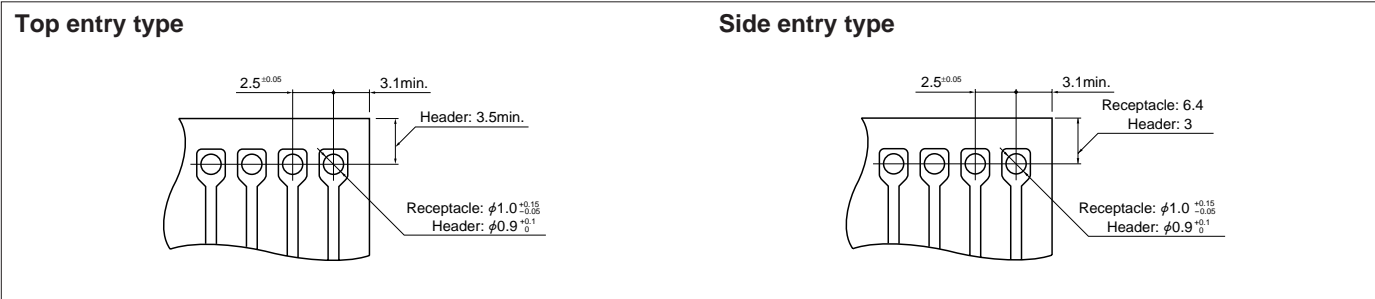
Circuits	Model No.		Dimensions (mm)	Q'ty/reel	
	Top entry type	Side entry type		Top entry type	Side entry type
3	B 3P-SHF-1AA	BS 3P-SHF-1AA	5.0	1,000	1,000
4	B 4P-SHF-1AA	BS 4P-SHF-1AA	7.5	1,000	1,000
5	B 5P-SHF-1AA	BS 5P-SHF-1AA	10.0	1,000	500
6	B 6P-SHF-1AA	BS 6P-SHF-1AA	12.5	500	500
7	B 7P-SHF-1AA	BS 7P-SHF-1AA	15.0	500	500
8	B 8P-SHF-1AA	BS 8P-SHF-1AA	17.5	500	500
9	B 9P-SHF-1AA	BS 9P-SHF-1AA	20.0	500	500
10	B10P-SHF-1AA	BS10P-SHF-1AA	22.5	250	250
11	B11P-SHF-1AA	BS11P-SHF-1AA	25.0	250	250
12	B12P-SHF-1AA	BS12P-SHF-1AA	27.5	250	200
13	B13P-SHF-1AA	BS13P-SHF-1AA	30.0	250	200
14	B14P-SHF-1AA	BS14P-SHF-1AA	32.5	250	200
15	B15P-SHF-1AA	BS15P-SHF-1AA	35.0	250	200
16	B16P-SHF-1AA	BS16P-SHF-1AA	37.5	250	200
17	B17P-SHF-1AA	BS17P-SHF-1AA	40.0	250	200
18	B18P-SHF-1AA	BS18P-SHF-1AA	42.5	200	200
19	B19P-SHF-1AA	BS19P-SHF-1AA	45.0	250	200
20	B20P-SHF-1AA	BS20P-SHF-1AA	47.5	250	200
21	B21P-SHF-1AA	BS21P-SHF-1AA	50.0	250	200
22	B22P-SHF-1AA	BS22P-SHF-1AA	52.5	250	200
23	B23P-SHF-1AA	BS23P-SHF-1AA	55.0	250	200
24	B24P-SHF-1AA	BS24P-SHF-1AA	57.5	250	200
25	B25P-SHF-1AA	BS25P-SHF-1AA	60.0	250	200

Material and Finish

Post: Brass copper-undercoated, tin-plated (reflow treatment)
 Base: PA 66, UL94V-0, natural

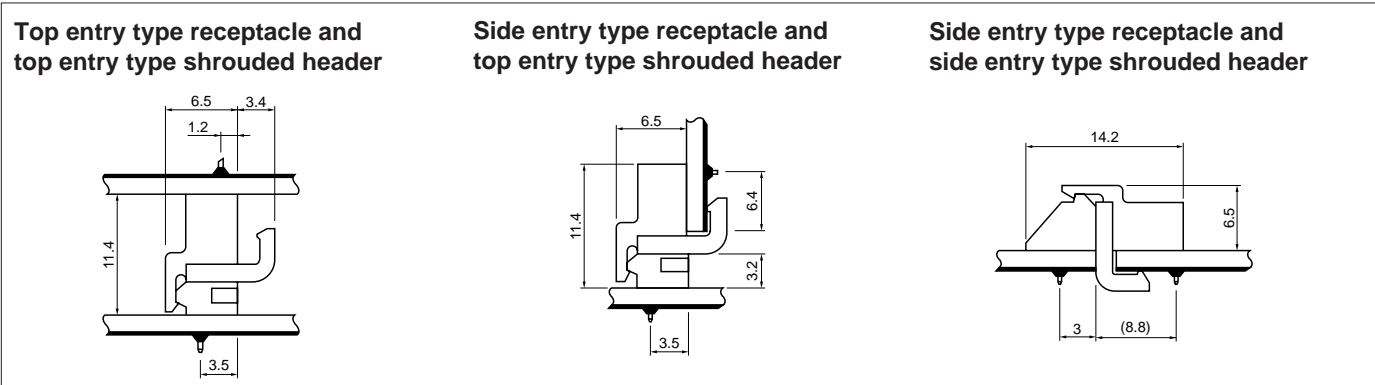
RoHS compliance This product displays (LF)(SN) on a label.

PC board layout (viewed from soldering side)



Note: 1. Tolerances are non-cumulative: ±0.05 mm for all centers.
 2. Hole dimensions differ according to the type of PC board and piercing method. The dimensions above should serve as a guideline. Contact JST for details.

Assembly layout



X-ON Electronics

Largest Supplier of Electrical and Electronic Components

Click to view similar products for [Headers & Wire Housings](#) category:

Click to view products by [JST](#) manufacturer:

Other Similar products are found below :

[0015917161](#) [0022155065](#) [57102-F02-18ULF](#) [58102-G61-06LF](#) [582553-1](#) [01.001.5753.1](#) [0050291907](#) [02.125.8002.8](#) [609-3404](#) [61062-3](#)
[CSU011177004](#) [622-0430](#) [622-3653LF](#) [63453-116](#) [636-1030](#) [636-1427](#) [636-3427](#) [636-4007](#) [641938-9](#) [65495-038](#) [65692-001LF](#) [65781-018](#)
[65781-047](#) [65817-010LF](#) [65817-015LF](#) [67095-007LF](#) [67601157](#) [68631-112](#) [68645-018](#) [699319-000](#) [70.362.1628.0](#) [70-4210](#) [70-4226B](#) [70-](#)
[4853B](#) [71.350.2428.0](#) [733-134](#) [733-162](#) [MHR-64-VUAL](#) [80.063.4001.1](#) [800-90-001-10-001000](#) [801-43-002-10-013000](#) [801-43-006-10-](#)
[002000](#) [803-43-024-10-001000](#) [803-93-012-10-001000](#) [8-1437020-4](#) [819-22-004-30-001101](#) [820-22-006-30-001101](#) [820-22-008-30-001101](#)
[821-22-002-10-001101](#) [821-22-003-10-002101](#)