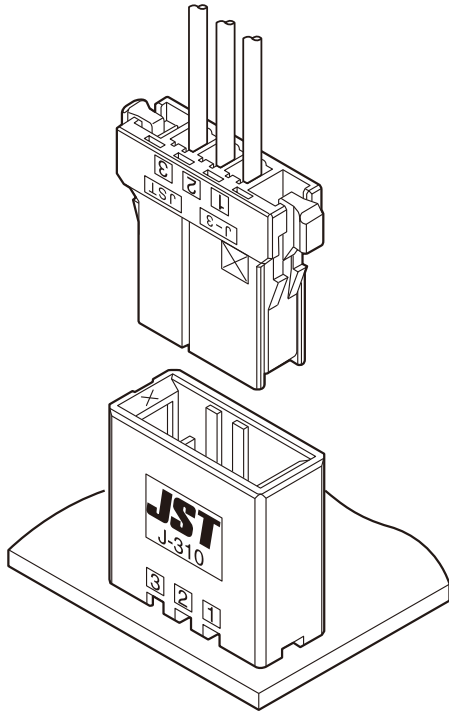


# JFA CONNECTOR J300 SERIES

3.81, 5.08, 5.4 mm pitch/Disconnectable Crimp style connectors(Wire-to-board/Wire-to-wire)



Connectors for signal circuit or power supply circuit, applicable to the factory automation, heavy electric machinery, and other industrial equipment in general.

In spite of the various kinds of housings available, their contacts are designed to be common.

The applicable tooling can be standardized.

- Double-spring construction
- Housing lances
- Clear click feeling

## Specifications

• Current rating : AC/DC

Unit: A

No. of circuits	Wire size (AWG)							
	#14	#16	#18	#20	#22	#24	#26	#28
1	15.0	14.0	11.5	9.5	8.0	6.5	5.75	4.75
2	13.5	13.5	11.25	9.25	7.5	6.25	5.5	4.5
3	12.25	12.25	10.5	8.5	7.0	5.75	5.0	4.1
4	11.25	11.25	10.0	8.0	6.5	5.5	4.75	4.0
5	10.5	10.5	9.5	7.5	6.25	5.25	4.5	4.0
6	9.75	9.75	9.0	7.0	6.0	5.0	4.25	3.75
8	9.0	9.0	8.25	6.5	5.5	4.5	3.75	3.25
9	8.5	8.5	8.0	6.25	5.25	4.5	3.75	3.25
10	8.5	8.5	8.0	6.25	5.25	4.5	3.75	3.25
12	8.25	8.25	7.75	6.0	5.0	4.0	3.5	3.0
16	8.0	8.0	7.5	6.0	4.75	4.0	3.5	3.0
20	8.0	8.0	7.25	6.0	4.5	4.0	3.5	2.75
40	7.5	7.5	6.25	5.25	4.0	3.5	3.0	2.5

• Voltage rating: J310/J340/J380 series (3.81 mm pitch) 250 V AC/DC  
J320/J350 series (5.08 mm pitch) 600 V AC/DC

• Temperature range: -55°C to + 105°C

(including temperature rise in applying electrical current)

• Contact resistance: Initial value/ 5 mΩ max.

After environmental tests/ 10 mΩ max.

• Insulation resistance: 1,000 mΩ min.

• Withstanding voltage:

J310/J340/J380 series (3.81 mm pitch) 1,500 VAC/minute

J320/J350 series (5.08 mm pitch) 2,200 VAC/minute

• Applicable wire: AWG #28 to #14

• Applicable PC board thickness: 1.6 to 2.4 mm

\* Refer to the page of each product for the specifications of the J330 series and common type (J350D, J360T).

\* In using the products, refer to "Handling Precautions for Terminals and Connectors" described on our website (Technical documents of Product information page).

\* Dimensional unit: mm

\* RoHS2 Compliance

\* Contact JST for details.

## Standards

 :Recognized E60389

 :R50133261

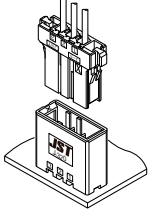
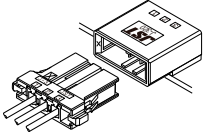
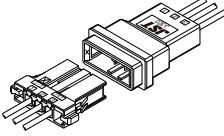
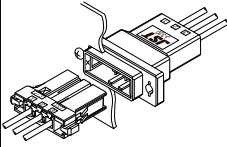
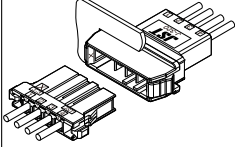
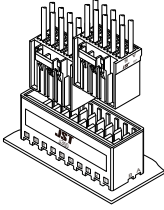
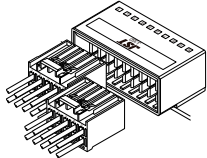
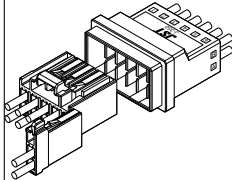
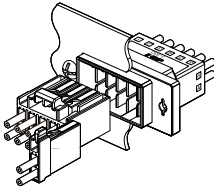
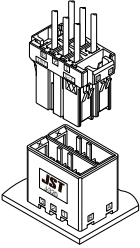
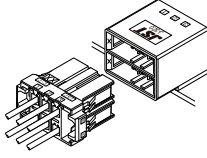
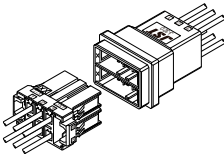
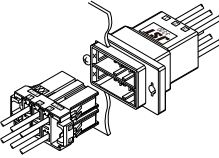
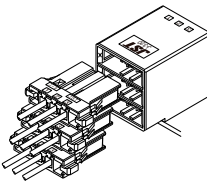
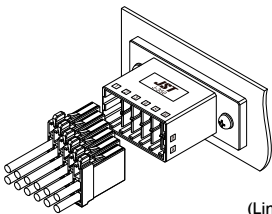
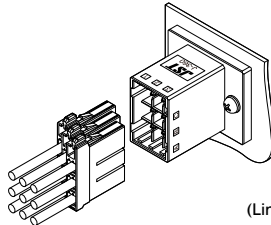
# JFA CONNECTOR/J300 SERIES

## J300 series products line-up

Type	3.81 mm pitch , Voltage rating 250 V AC/DC				
	Wire-to-board		Wire-to-wire		
	Top entry type	Side entry type	Free hanging type	Panel mounting type	
J310S Single-row type					
	No. of circuits	3, 4, 5, 6, 8, 10	3, 4, 5, 6, 8, 10	3, 4, 5, 8, 10	3, 4, 5, 8, 10
J310D Dual-row type [Line pitch 5.08 mm]					
	No. of circuits	6, 8, 10, 12, 16, 20	6, 8, 10, 12, 16, 20	6, 8, 10, 12, 16, 20	6, 8, 10, 12, 16, 20
J310M Dual-row module type [Line pitch 7.62 mm]					
	No. of circuits	6	6		
J340F Four-row type [Line pitch 5.08 mm]					
	No. of circuits		12, 20		
J380 Dual-row type [Line pitch 5.08 mm] (Thin type)					
	No. of circuits	40	20, 40		
Type	5.4 mm pitch , Voltage rating 600 V AC/DC				
	Wire-to-wire				
	Panel mounting type				
J330 [Line pitch 7.7 mm]					
	No. of circuits	30, 40			

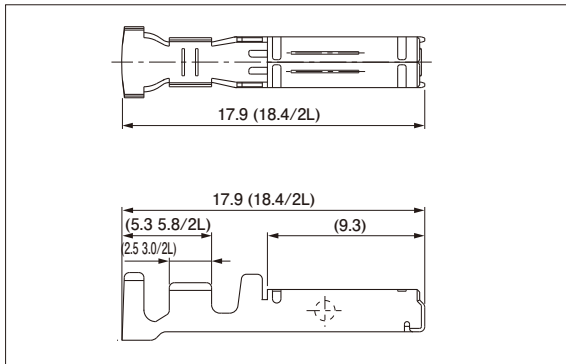
# JFA CONNECTOR/J300 SERIES

## J300 series products line-up

Type	5.08 mm pitch , Voltage rating 600 V AC/DC				
	Wire-to-board		Wire-to-wire		
	Top entry type	Side entry type	Free hanging type	Panel mounting type	
J320S Single-row type				Screw type	Housing lock type
					
No. of circuits	2, 3, 4, 5, 6	2, 3, 4, 5, 6	1, 2, 3, 4	1, 2, 3, 4	4
J350D Dual-row type [Line pitch 5.08 mm]					
No. of circuits	12, 20	4, 12, 20	12	12	
J320M Dual-row module type [Line pitch 7.62 mm]					
No. of circuits	6, 10, 12	6, 8, 10, 12	6, 12	6, 12, 20	
J320T Triple-row module type [Line pitch 7.62 mm]					
No. of circuits		9			
Common type	Dual-row common type (J350D)		Triple-row common type (J360T)		
	 (Line pitch 5.08 mm)		 (Line pitch 6.5 mm)		
No. of circuits	12		9, 18, 24		

# JFA CONNECTOR/J300 SERIES

## Receptacle contact



Model No.		Applicable wire			Insulation O.D. (mm)	Q'ty	
Strip contact	Loose piece	Size	mm <sup>2</sup>	AWG#		reel	box (Loose piece)
SF3F-002 (*) -P2.0	BF3F-002 (*) -P2.0	S	0.08~0.20	28~24	0.8~1.4	3,700	1,000
SF3F-01 (*) -P2.0	BF3F-01 (*) -P2.0	M	0.20~0.50	24~20	1.2~2.6	3,700	1,000
SF3F-41 (*) -P2.0	LF3F-41 (*) -P2.0	L	0.50~1.25	20~16	1.8~2.8	3,200	1,000
SF3F-71 (*) -P2.0	BF3F-71 (*) -P2.0	2L	1.25~2.0	16~14	2.4~3.4	3,200	1,000

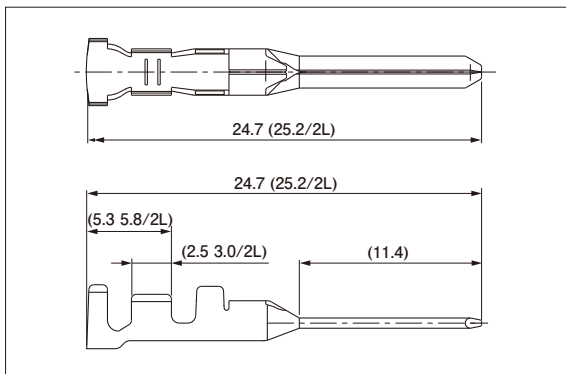
### Material and Finish

Copper alloy (superior conductivity), nickel-undercoated, selective gold-plated tin-plated (reflow treatment)

### RoHS2 compliance

Note: Finish (\*) : GF.....Nickel-undercoated, 0.38 μm selective gold-plated  
 GFA...Nickel-undercoated, 0.38 μm selective gold-plated (A type)  
 GI.....Nickel-undercoated, 0.76 μm selective gold-plated  
 GIA.....Nickel-undercoated, 0.76 μm selective gold-plated (A type)  
 T.....Tin-plated (reflow treatment)

## Tab contact



Model No.		Applicable wire			Insulation O.D. (mm)	Q'ty	
Strip contact	Loose piece	Size	mm <sup>2</sup>	AWG#		reel	box (Loose piece)
SF3M-002 (*) -M2.0N	BF3M-002 (*) -M2.0N	S	0.08~0.20	28~24	0.8~1.4	3,500	1,000
SF3M-01 (*) -M2.0N	BF3M-01 (*) -M2.0N	M	0.20~0.50	24~20	1.2~2.6	3,500	1,000
SF3M-41 (*) -M2.0N	LF3M-41 (*) -M2.0N	L	0.50~1.25	20~16	1.8~2.8	3,300	1,000
SF3M-71 (*) -M2.0N	BF3M-71 (*) -M2.0N	2L	1.25~2.0	16~14	2.4~3.4	3,200	1,000

### Material and Finish

Copper alloy (superior conductivity), nickel-undercoated, selective gold-plated tin-plated (reflow treatment)

### RoHS2 compliance

Note: 1. Finish (\*):GF...Nickel-undercoated, 0.38 μm selective gold-plated  
 GI...Nickel-undercoated, 0.76 μm selective gold-plated  
 T.....Tin-plated (reflow treatment)

## Crimping machine, Applicator

Strip contact Model No.	Crimping machine	Applicator		Hand tools	
		Crimp applicator	Dies		
SF3F-002 (*) -P2.0	AP-K2N	MKS-L	MK/SF3F/M-002-20	APLMK SF3F/M002-20	YRK-8821
SF3M-002 (*) -M2.0N			MK/SF3F/M-01-20	APLMK SF3F/M01-20	YRK-8811
SF3F-01 (*) -P2.0			MK/SF3F/M-41-20	APLMK SF3F/M41-20	YRK-8801
SF3M-01 (*) -M2.0N			MK/SF3F/M-71-20	APLMK SF3F/M71-20	YRK-1071
SF3F-41 (*) -P2.0					
SF3M-41 (*) -M2.0N					
SF3F-71 (*) -P2.0					
SF3M-71 (*) -M2.0N					

Note: Finish (\*) : GF.....Nickel-undercoated, 0.38 μm selective gold-plated  
 GFA...Nickel-undercoated, 0.38 μm selective gold-plated (A type)  
 GI.....Nickel-undercoated, 0.76 μm selective gold-plated  
 GIA.....Nickel-undercoated, 0.76 μm selective gold-plated (A type)  
 T.....Tin-plated (reflow treatment)

• Extraction tool for J300 series: EJ-JFAJ3

• Special extraction tool for J300 series: For receptacle only ...EJ-JFAJ3R, For tab only ...EJ-JFAJ3T  
 • Refer to the page of "Crimping tools" for details of YRK series hand crimping tools that uses a strip contact.

Loose piece	Hand tools
BF3F-002 (*) -P2.0	YRF-882
BF3M-002 (*) -M2.0N	
BF3F-01 (*) -P2.0	YRF-881
BF3M-01 (*) -M2.0N	
LF3F-41 (*) -P2.0	YRF-880
LF3M-41 (*) -M2.0N	
BF3F-71 (*) -P2.0	YRF-1070
BF3M-71 (*) -M2.0N	YRF-1071

Note: Finish (\*): GF.....Nickel-undercoated, 0.38 μm selective gold-plated  
 GFA...Nickel-undercoated, 0.38 μm selective gold-plated (A type)  
 GI.....Nickel-undercoated, 0.76 μm selective gold-plated  
 GIA...Nickel-undercoated, 0.76 μm selective gold-plated (A type)  
 T.....Tin-plated (reflow treatment)

## Recognition mark

### • Plating of the contact

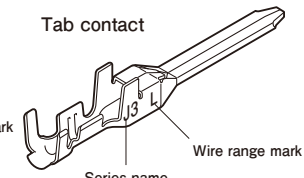
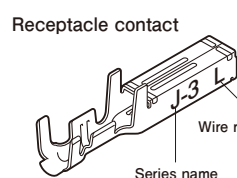
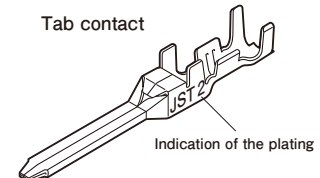
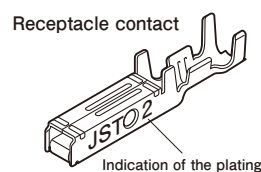
Each contact has a marking on its side so that the type or thickness of the plating is recognized.

- 2 ... gold-plated 0.38 μm thickness
- 2 ... gold-plated 0.38 μm thickness (A type)
- 3 ... gold-plated 0.76 μm thickness
- 3 ... gold-plated 0.76 μm thickness (A type)
- 5 ... tin-plated (reflow treatment)

### • Common marking on the contact and its application tools

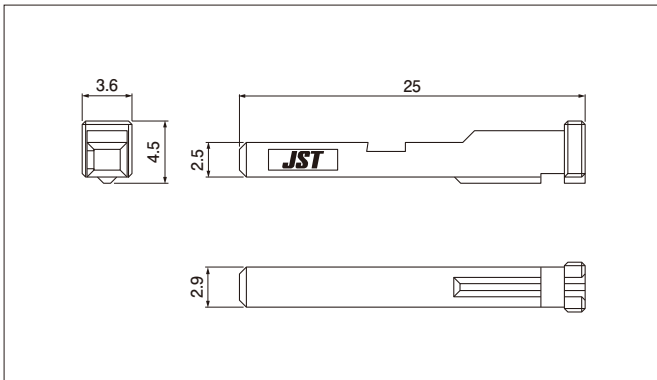
In order to avoid incorrect combination of the hand crimp tools or extraction tools and the contacts, the series name (for example J-3) and wire range mark (S, M, L, 2L) are shown on both the tools and the contacts.

J-3 S.....AWG #28 ~ #24  
 M.....AWG #24 ~ #20  
 L.....AWG #20 ~ #16  
 2L.....AWG #16 ~ #14



# JFA CONNECTOR/J300 SERIES

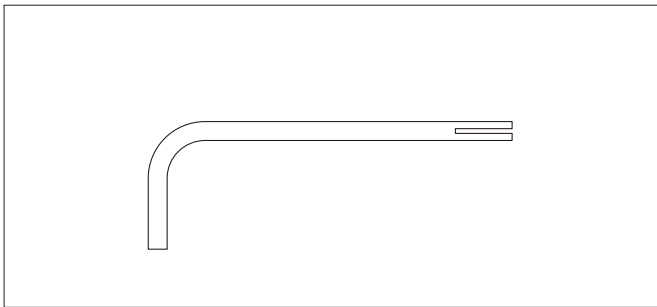
## Keying plug



Model No.	Material and Finish
J3KP-VS	Glass-filled PBT, UL94V-0, white

RoHS2 compliance

## Tab contact (Cutting jig)

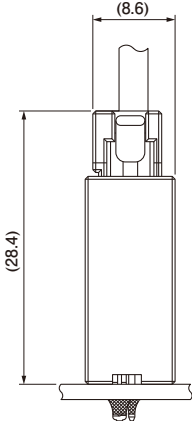
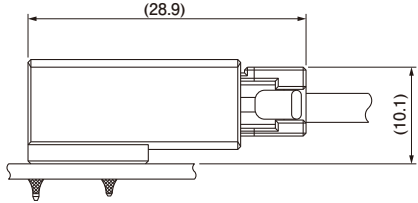
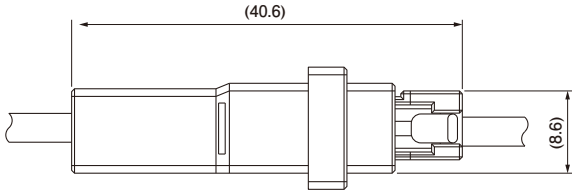


Model No.
CT-JFAJ3A

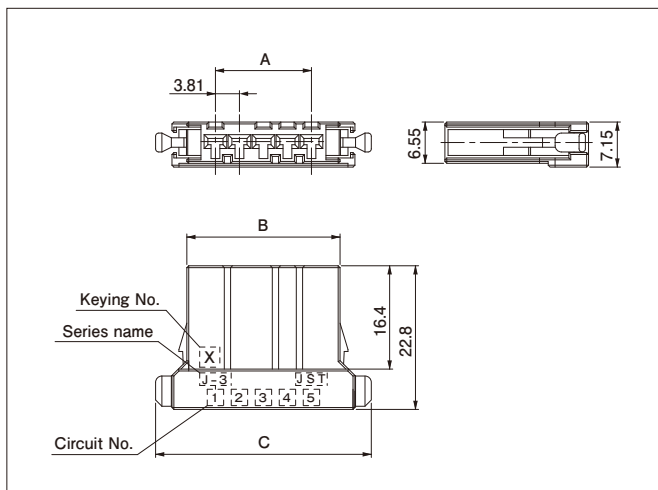
Note: Unlisted in UL/TÜV

# J300 SERIES/J310S

## Assembly layout

<p>Wire-to-board</p>	<p>&lt; Top entry type &gt;</p> 	<p>&lt; Side entry type &gt;</p> 
<p>Wire-to-wire</p>	<p>&lt; Free hanging type / Panel mounting type &gt;</p> 	

## Receptacle housing



No. of circuits	Keying	Model No.	Dimensions (mm)			Q'ty /bag
			A	B	C	
3	X	F31FSS-03V-KX	7.62	16.70	26.62	200
	Y	F31FSS-03V-KY	7.62	16.70	26.62	200
4	X	F31FSS-04V-KX	11.43	20.51	30.43	200
	Y	F31FSS-04V-KY	11.43	20.51	30.43	200
5	X	F31FSS-05V-KX	15.24	24.32	34.24	200
	Y	F31FSS-05V-KY	15.24	24.32	34.24	200
6	X	F31FSS-06V-KX	19.05	28.13	38.05	200
	Y	F31FSS-06V-KY	19.05	28.13	38.05	200
8	X	F31FSS-08V-KX	26.67	35.75	45.67	100
	Y	F31FSS-08V-KY	26.67	35.75	45.67	100
10	X	F31FSS-10V-KX	34.29	43.37	53.29	100
	Y	F31FSS-10V-KY	34.29	43.37	53.29	100

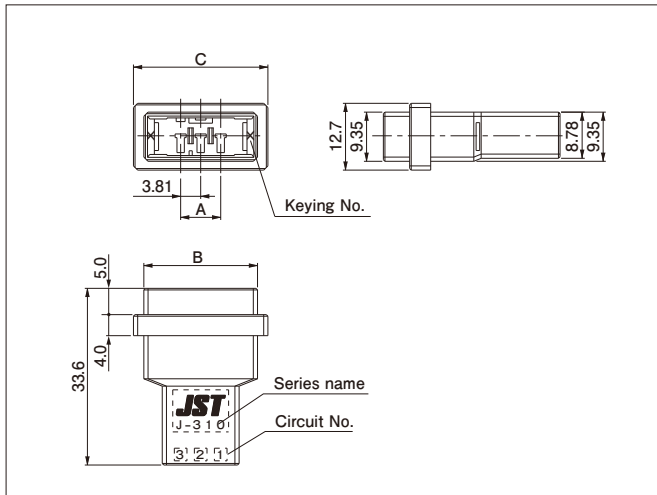
### Material and Finish

Glass-filled PBT, UL94V-0, black

RoHS2 compliance

# J300 SERIES/J310S

## Tab housing (Free hanging type)



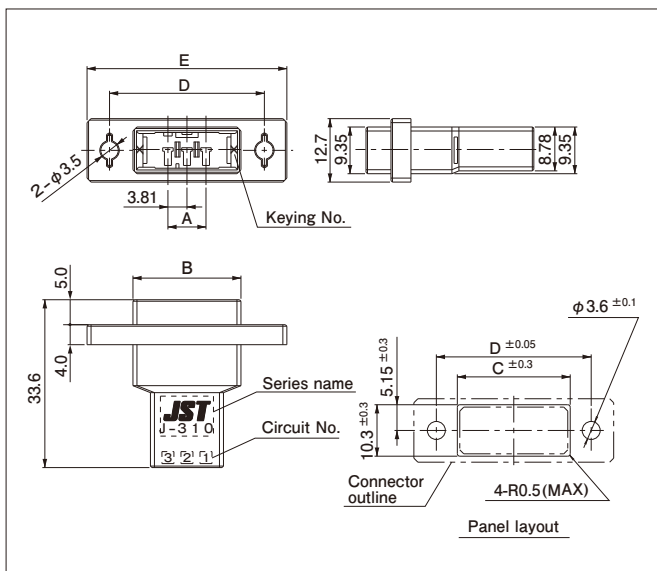
No. of circuits	Keying	Model No.	Dimensions (mm)			Q'ty /bag
			A	B	C	
3	X	F31MSF-03V-KX	7.62	21.62	25.57	200
	Y	F31MSF-03V-KY	7.62	21.62	25.57	200
4	X	F31MSF-04V-KX	11.43	25.43	29.38	200
	Y	F31MSF-04V-KY	11.43	25.43	29.38	200
5	X	F31MSF-05V-KX	15.24	29.24	33.19	200
	Y	F31MSF-05V-KY	15.24	29.24	33.19	200
8	X	F31MSF-08V-KX	26.67	40.67	44.62	100
	Y	F31MSF-08V-KY	26.67	40.67	44.62	100
10	X	F31MSF-10V-KX	34.29	48.29	52.24	100
	Y	F31MSF-10V-KY	34.29	48.29	52.24	100

### Material and Finish

Glass-filled PBT, UL94V-0, black

RoHS2 compliance

## Tab housing (Panel mounting type)



No. of circuits	Keying	Model No.	Dimensions (mm)					Q'ty /bag
			A	B	C	D	E	
3	X	F31MSP-03V-KX	7.62	21.62	22.60	31.00	40.00	200
	Y	F31MSP-03V-KY	7.62	21.62	22.60	31.00	40.00	200
4	X	F31MSP-04V-KX	11.43	25.43	26.40	34.50	43.50	200
	Y	F31MSP-04V-KY	11.43	25.43	26.40	34.50	43.50	200
5	X	F31MSP-05V-KX	15.24	29.24	30.20	38.00	47.00	200
	Y	F31MSP-05V-KY	15.24	29.24	30.20	38.00	47.00	200
8	X	F31MSP-08V-KX	26.67	40.67	41.60	50.00	59.00	100
	Y	F31MSP-08V-KY	26.67	40.67	41.60	50.00	59.00	100
10	X	F31MSP-10V-KX	34.29	48.29	49.20	58.00	67.00	100
	Y	F31MSP-10V-KY	34.29	48.29	49.20	58.00	67.00	100

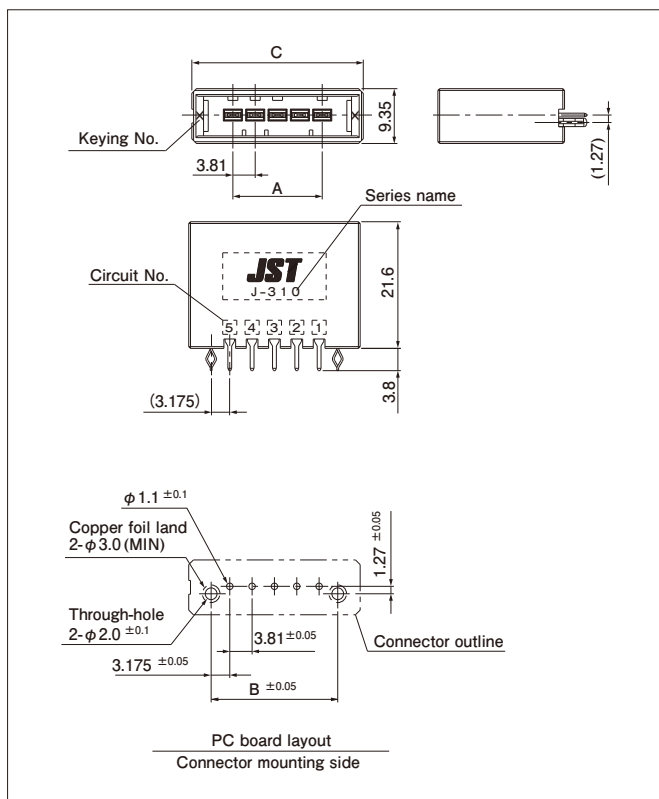
### Material and Finish

Glass-filled PBT, UL94V-0, black

RoHS2 compliance

- Note: 1. Punch holes in the panel. Burrs must be removed.  
 2. The strength of the panel must be considered when punching two or more holes.  
 3. The connector must be inserted from the same side as the hole is punched.

## Header (Top entry type)



No. of circuits	Keying	Model No.	Dimensions (mm)			Q'ty/box
			A	B	C	
3	X	B03B-F31SK-GGXR	7.62	13.97	21.62	220
	Y	B03B-F31SK-GGYR	7.62	13.97	21.62	220
4	X	B04B-F31SK-GGXR	11.43	17.78	25.43	180
	Y	B04B-F31SK-GGYR	11.43	17.78	25.43	180
5	X	B05B-F31SK-GGXR	15.24	21.59	29.24	160
	Y	B05B-F31SK-GGYR	15.24	21.59	29.24	160
6	X	B06B-F31SK-GGXR	19.05	25.40	33.05	140
	Y	B06B-F31SK-GGYR	19.05	25.40	33.05	140
8	X	B08B-F31SK-GGXR	26.67	33.02	40.67	120
	Y	B08B-F31SK-GGYR	26.67	33.02	40.67	120
10	X	B10B-F31SK-GGXR	34.29	40.64	48.29	100
	Y	B10B-F31SK-GGYR	34.29	40.64	48.29	100

### Material and Finish

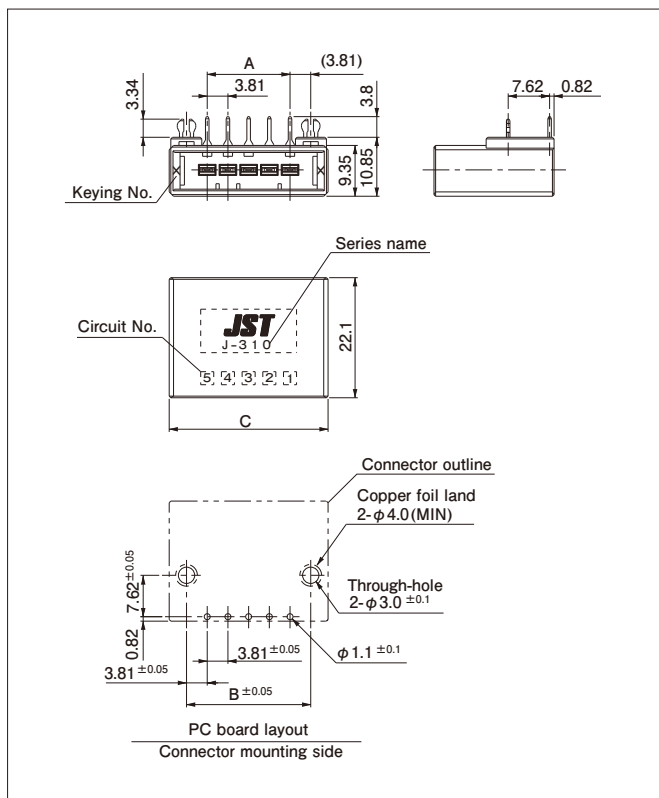
Tab contact: Copper alloy, nickel-undercoated, selective gold-plated  
Housing: Glass-filled PBT, UL94V-0, black  
Reinforcement: Copper alloy, nickel-undercoated, selective gold-plated

RoHS2 compliance This product displays (LF)(AU) on a label.

Note: 1. Contact JST about the headers supplied in magazine stick.

2. Contact JST about 0.76 μm gold-plated product and tin-plated product.

## Header (Side entry type)



No. of circuits	Keying	Model No.	Dimensions (mm)			Q'ty/box
			A	B	C	
3	X	S03B-F31SK-GGXR	7.62	15.24	21.62	165
	Y	S03B-F31SK-GGYR	7.62	15.24	21.62	165
4	X	S04B-F31SK-GGXR	11.43	19.05	25.43	135
	Y	S04B-F31SK-GGYR	11.43	19.05	25.43	135
5	X	S05B-F31SK-GGXR	15.24	22.86	29.24	120
	Y	S05B-F31SK-GGYR	15.24	22.86	29.24	120
6	X	S06B-F31SK-GGXR	19.05	26.67	33.05	105
	Y	S06B-F31SK-GGYR	19.05	26.67	33.05	105
8	X	S08B-F31SK-GGXR	26.67	34.29	40.67	90
	Y	S08B-F31SK-GGYR	26.67	34.29	40.67	90
10	X	S10B-F31SK-GGXR	34.29	41.91	48.29	75
	Y	S10B-F31SK-GGYR	34.29	41.91	48.29	75

### Material and Finish

Tab contact: Copper alloy, nickel-undercoated, selective gold-plated  
Housing: Glass-filled PBT, UL94V-0, black  
Reinforcement: Copper alloy, nickel-undercoated, selective gold-plated

RoHS2 compliance This product displays (LF)(AU) on a label.

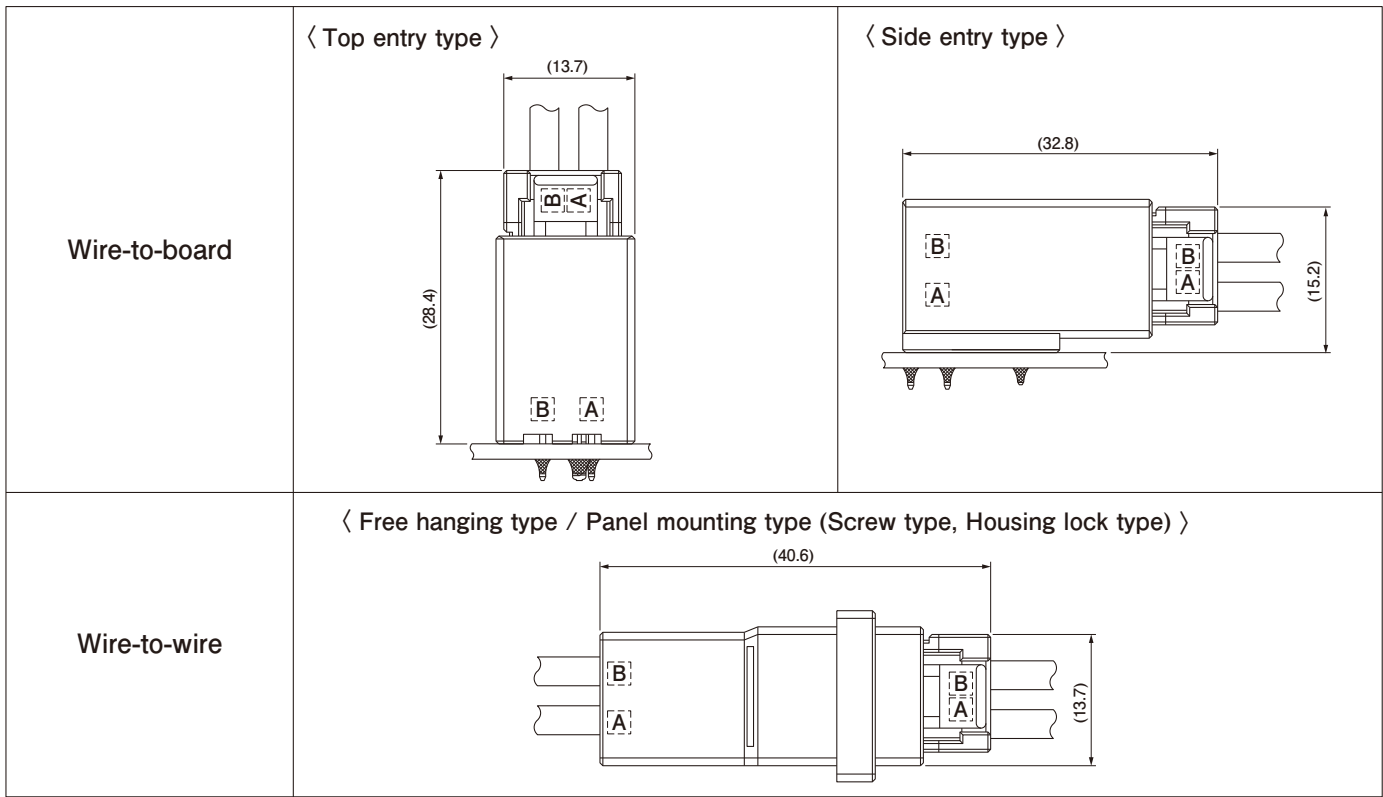
Note: 1. Contact JST about the headers supplied in magazine stick.

2. Contact JST about 0.76 μm gold-plated product and tin-plated product.

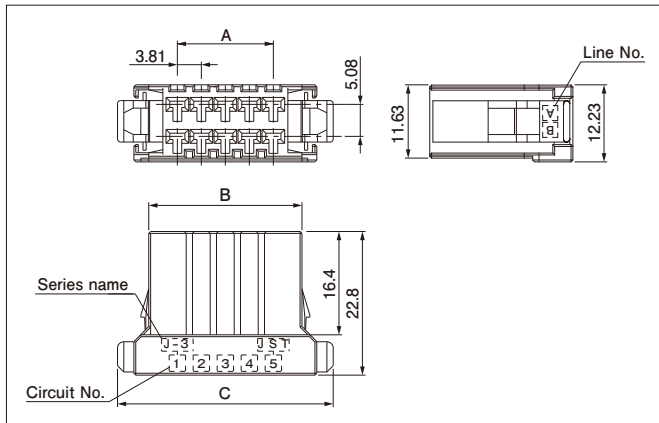


# J300 SERIES/J310D

## Assembly layout



## Receptacle housing



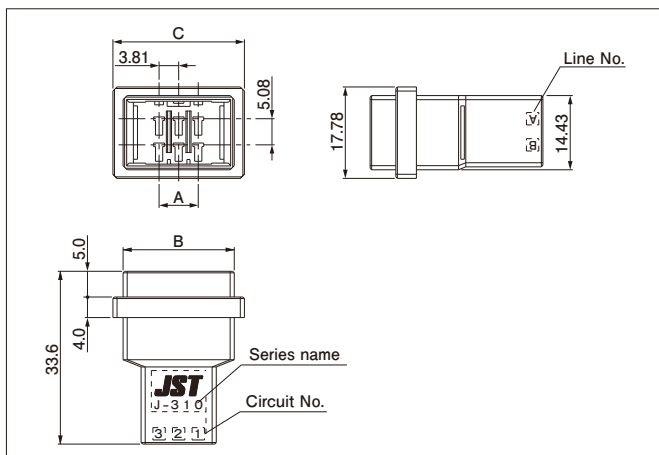
No. of circuits	Keying	Model No.	Dimensions (mm)			Q'ty/bag
			A	B	C	
6	—	F31FDS-06V-K	7.62	16.70	26.62	200
8	—	F31FDS-08V-K	11.43	20.51	30.43	100
10	—	F31FDS-10V-K	15.24	24.32	34.24	100
12	—	F31FDS-12V-K	19.05	28.13	38.05	100
16	—	F31FDS-16V-K	26.67	35.75	45.67	100
20	—	F31FDS-20V-K	34.29	43.37	53.29	100

### Material and Finish

Glass-filled PBT, UL94V-0, black

RoHS2 compliance

## Tab housing (Free hanging type)



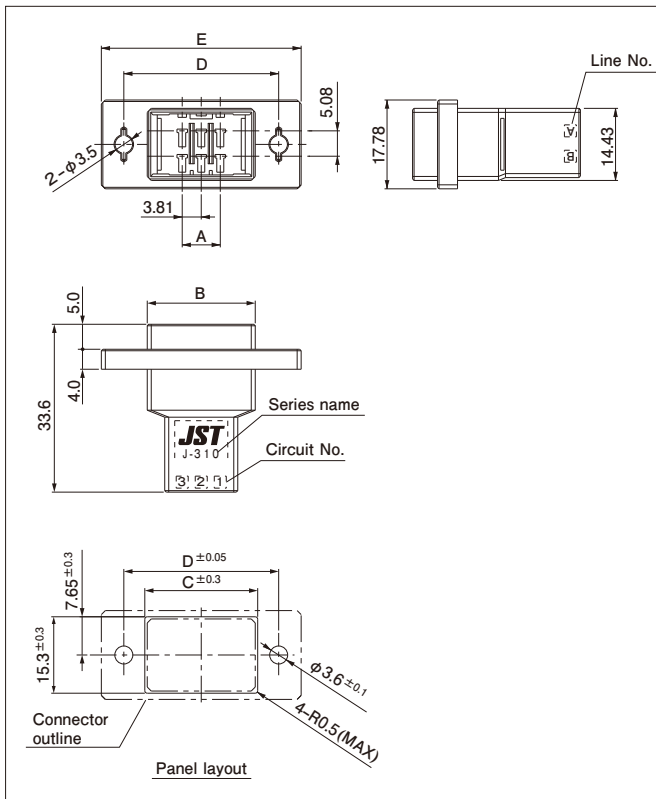
No. of circuits	Keying	Model No.	Dimensions (mm)			Q'ty/bag
			A	B	C	
6	—	F31MDF-06V-K	7.62	21.62	25.57	200
8	—	F31MDF-08V-K	11.43	25.43	29.38	100
10	—	F31MDF-10V-K	15.24	29.24	33.19	100
12	—	F31MDF-12V-K	19.05	33.05	37.00	100
16	—	F31MDF-16V-K	26.67	40.67	44.62	100
20	—	F31MDF-20V-K	34.29	48.29	52.24	100

### Material and Finish

Glass-filled PBT, UL94V-0, black

RoHS2 compliance

## Tab housing (Panel mounting type)



No. of circuits	Keying	Model No.	Dimensions (mm)					Q'ty /bag
			A	B	C	D	E	
6	—	F31MDP-06V-K	7.62	21.62	22.60	31.00	40.00	200
8	—	F31MDP-08V-K	11.43	25.43	26.40	34.50	43.50	100
10	—	F31MDP-10V-K	15.24	29.24	30.20	38.00	47.00	100
12	—	F31MDP-12V-K	19.05	33.05	34.00	42.00	51.00	100
16	—	F31MDP-16V-K	26.67	40.67	41.60	50.00	59.00	100
20	—	F31MDP-20V-K	34.29	48.29	49.20	58.00	67.00	100

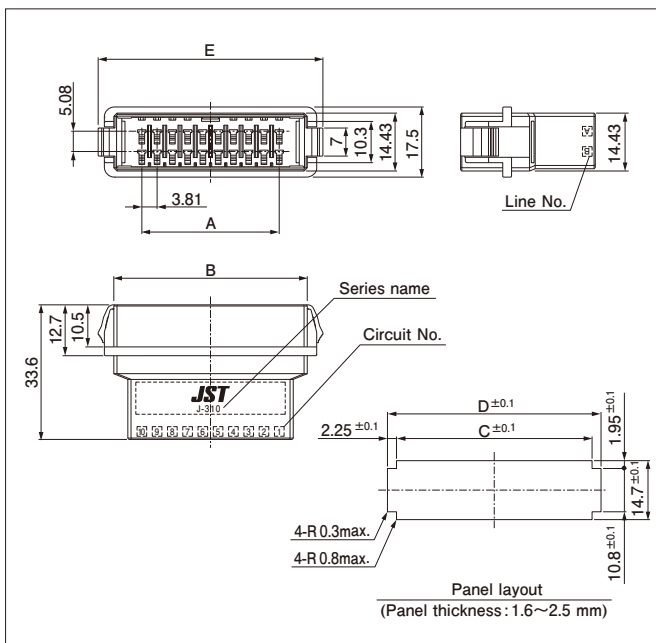
### Material and Finish

Glass-filled PBT, UL94V-0, black

### RoHS2 compliance

- Note:
1. Punch holes in the panel. Burrs must be removed.
  2. The strength of the panel must be considered when punching two or more holes.
  3. The connector must be inserted from the same side as the hole is punched.

## Tab housing (Panel mounting Housing lock type)



No. of circuits	Keying	Model No.	Dimensions (mm)					Q'ty /bag
			A	B	C	D	E	
6	—	F31MDPL-06V-K	7.62	21.62	22.15	26.65	26.33	100
12	—	F31MDPL-12V-K	19.05	33.05	33.55	38.05	37.76	100
20	—	F31MDPL-20V-K	34.29	48.29	48.80	53.30	53.00	80

### Material and Finish

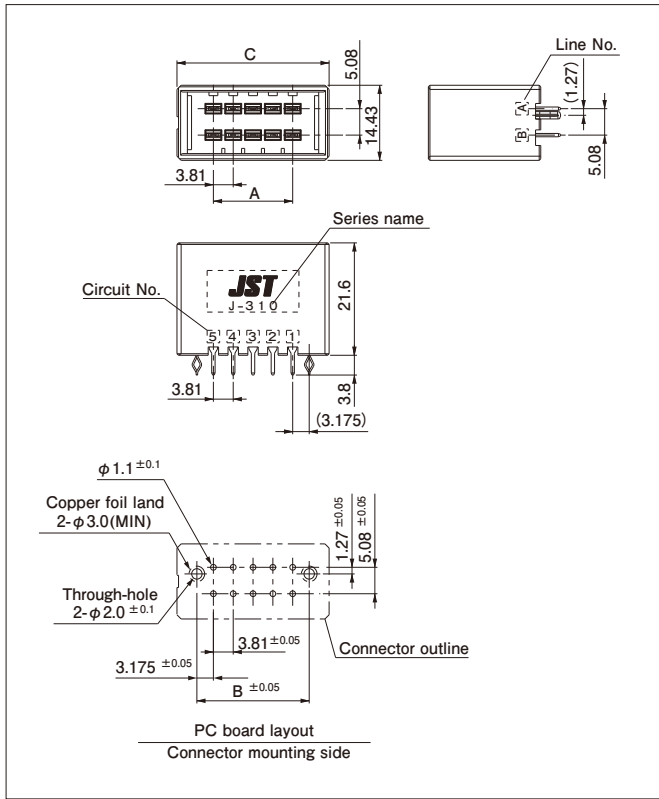
Glass-filled PBT, UL94V-0, black

### RoHS2 compliance

- Note:
1. Punch holes in the panel. Burrs must be removed.
  2. The strength of the panel must be considered when punching two or more holes.
  3. The connector must be inserted from the same side as the hole is punched.
  4. Unlisted in UL/TÜV.

# J300 SERIES/J310D

## Header (Top entry type)



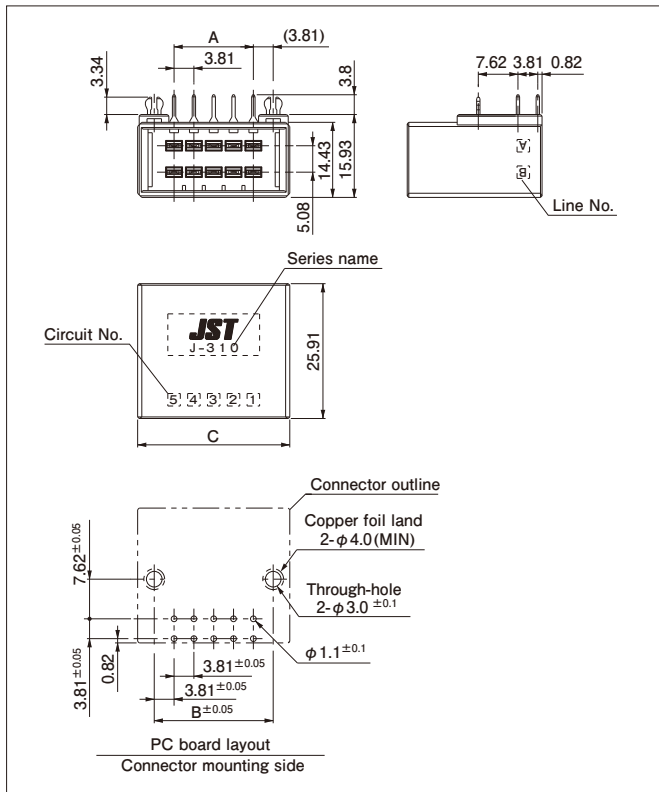
No. of circuits	Keying	Model No.	Dimensions (mm)			Q'ty/box
			A	B	C	
6	—	B06B-F31DK-GGR	7.62	13.97	21.62	132
8	—	B08B-F31DK-GGR	11.43	17.78	25.43	108
10	—	B10B-F31DK-GGR	15.24	21.59	29.24	96
12	—	B12B-F31DK-GGR	19.05	25.40	33.05	84
16	—	B16B-F31DK-GGR	26.67	33.02	40.67	72
20	—	B20B-F31DK-GGR	34.29	40.64	48.29	60

### Material and Finish

Tab contact: Copper alloy, nickel-undercoated, selective gold-plated  
Housing: Glass-filled PBT, UL94V-0, black  
Reinforcement: Copper alloy, nickel-undercoated, selective gold-plated

**RoHS2 compliance** This product displays (LF)(AU) on a label.  
Note: 1. Contact JST about the headers supplied in magazine stick.  
2. Contact JST about 0.76 μm gold-plated product and tin-plated product.

## Header (Side entry type)



No. of circuits	Keying	Model No.	Dimensions (mm)			Q'ty/box
			A	B	C	
6	—	S06B-F31DK-GGR	7.62	15.24	21.62	88
8	—	S08B-F31DK-GGR	11.43	19.05	25.43	72
10	—	S10B-F31DK-GGR	15.24	22.86	29.24	64
12	—	S12B-F31DK-GGR	19.05	26.67	33.05	56
16	—	S16B-F31DK-GGR	26.67	34.29	40.67	48
20	—	S20B-F31DK-GGR	34.29	41.91	48.29	40

### Material and Finish

Tab contact: Copper alloy, nickel-undercoated, selective gold-plated  
Housing: Glass-filled PBT, UL94V-0, black  
Reinforcement: Copper alloy, nickel-undercoated, selective gold-plated

**RoHS2 compliance** This product displays (LF)(AU) on a label.  
Note: 1. Contact JST about the headers supplied in magazine stick.  
2. Contact JST about 0.76 μm gold-plated product and tin-plated product.

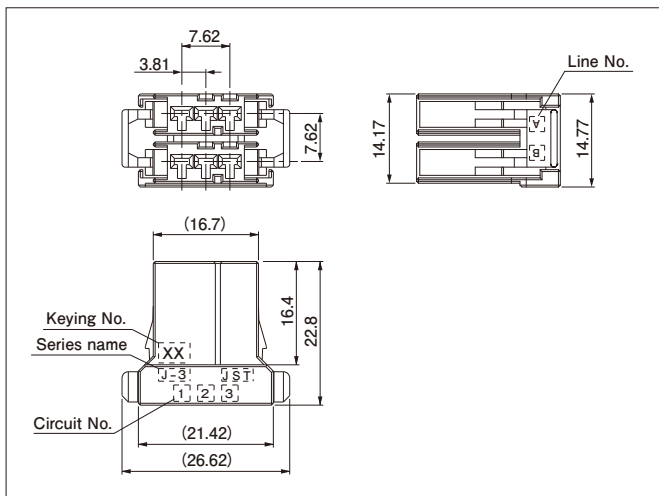
# J300 SERIES/J310M

## Assembly layout

		When mating with J310M receptacle	When mating with J310S receptacle modular
Wire-to-board	Top entry type		
	Side entry type		

# J300 SERIES/J310M

## Receptacle housing



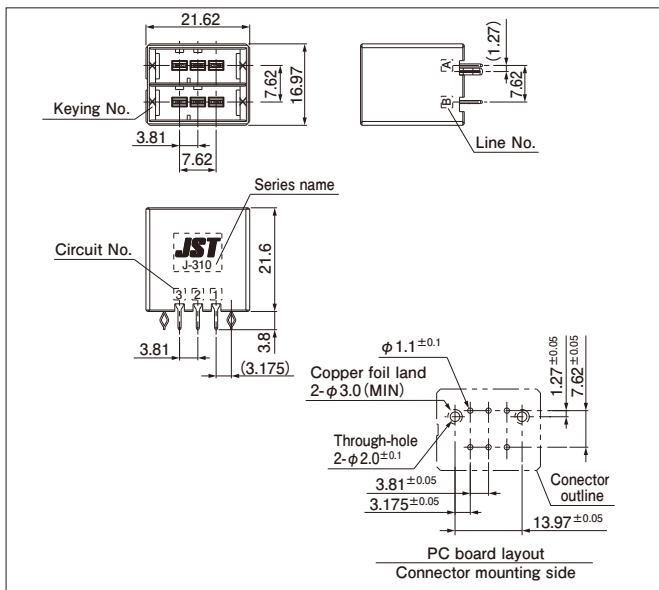
No. of circuits	Keying	Model No.	Q'ty/bag
6	XX	F31FMS-06V-KXX	100
	YY	F31FMS-06V-KYY	100
	XY	F31FMS-06V-KXY	100

### Material and Finish

Glass-filled PBT, UL94V-0, black

RoHS2 compliance

## Header (Top entry type)



No. of circuits	Keying	Model No.	Q'ty/box
6	XX	B06B-F31MK-GGXXR	132
	YY	B06B-F31MK-GGYYR	132
	XY	B06B-F31MK-GGXYR	132

### Material and Finish

Tab contact: Copper alloy, nickel-undercoated, selective gold-plated

Housing: Glass-filled PBT, UL94V-0, black

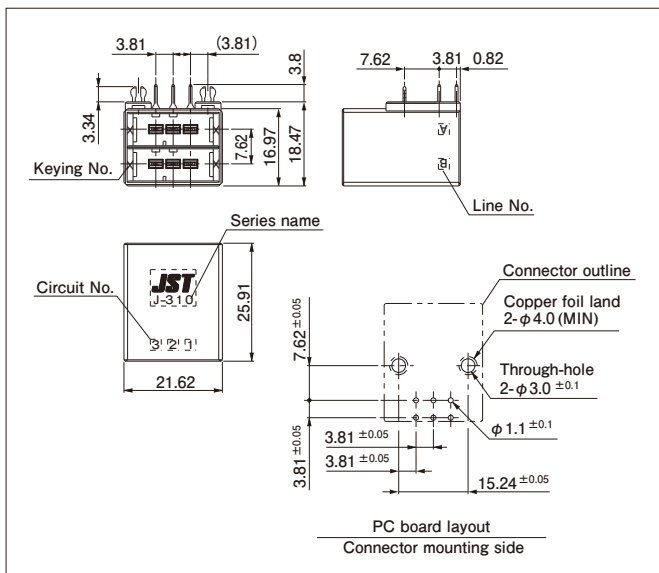
Reinforcement: Copper alloy, nickel-undercoated, selective gold-plated

RoHS2 compliance This product displays (LF)(AU) on a label.

Note: 1. Contact JST about the headers supplied in magazine stick.

2. Contact JST about 0.76 μm gold-plated product and tin-plated product.

## Header (Side entry type)



No. of circuits	Keying	Model No.	Q'ty/box
6	XX	S06B-F31MK-GGXXR	88
	YY	S06B-F31MK-GGYYR	88
	XY	S06B-F31MK-GGXYR	88

### Material and Finish

Tab contact: Copper alloy, nickel-undercoated, selective gold-plated

Housing: Glass-filled PBT, UL94V-0, black

Reinforcement: Copper alloy, nickel-undercoated, selective gold-plated

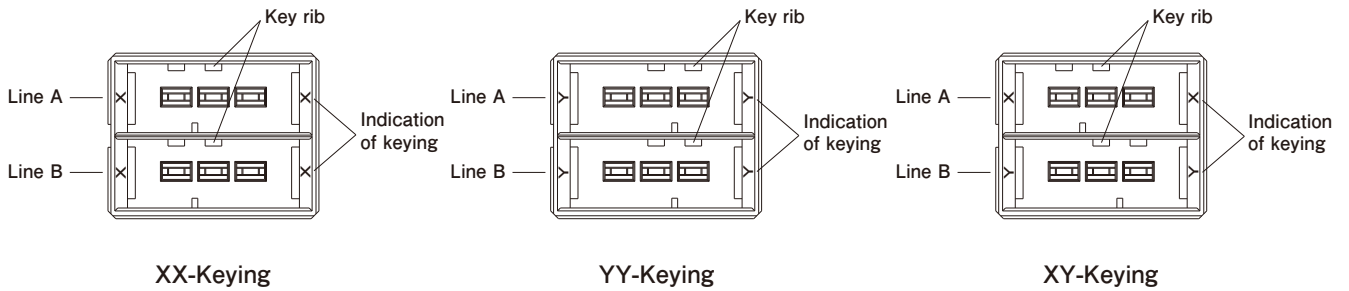
RoHS2 compliance This product displays (LF)(AU) on a label.

Note: 1. Contact JST about the headers supplied in magazine stick.

2. Contact JST about 0.76 μm gold-plated product and tin-plated product.

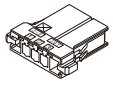
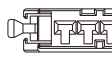
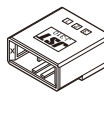
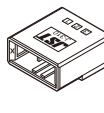
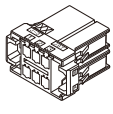
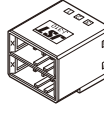
## Keying

J310M series have mis-insertion preventive keying.  
Available in 3 types — XX-Keying, YY-Keying and XY-Keying.  
(Headers viewed from the mating side are shown below.)



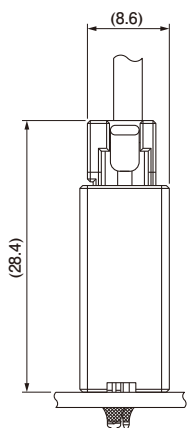
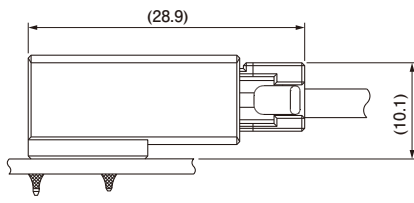
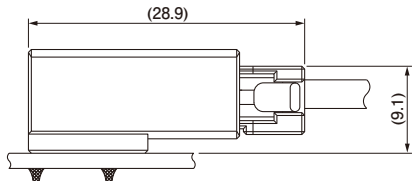
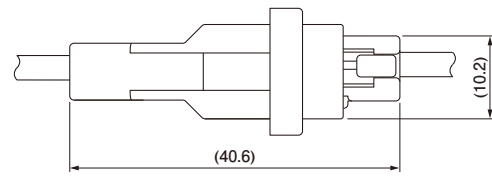
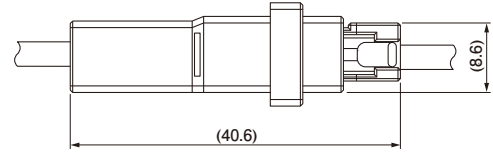
## List of combinations

With the combination of the J310M headers and the J310M/J310S (3 circuits) receptacle housings, the following modular combinations are possible.

Receptacle housing		Header			
		Top entry type		Side entry type	
Single-row 3 circuits (J310S) 	<u>X-Keying</u> F31FSS-03V-KX		<u>X-Keying</u> B03B-F31SK-GGXR		<u>X-Keying</u> S03B-F31SK-GGXR
	<u>Y-Keying</u> F31FSS-03V-KY		<u>Y-Keying</u> B03B-F31SK-GGYR		<u>Y-Keying</u> S03B-F31SK-GGYR
Dual-row 6 circuits (J310M) 	<u>XX-Keying</u> F31FMS-06V-KXX		<u>XX-Keying</u> B06B-F31MK-GGXXR		<u>XX-Keying</u> S06B-F31MK-GGXXR
	<u>YY-Keying</u> F31FMS-06V-KYY		<u>YY-Keying</u> B06B-F31MK-GGYR		<u>YY-Keying</u> S06B-F31MK-GGYR
	<u>XY-Keying</u> F31FMS-06V-KXY		<u>XY-Keying</u> B06B-F31MK-GGXYYR		<u>XY-Keying</u> S06B-F31MK-GGXYYR

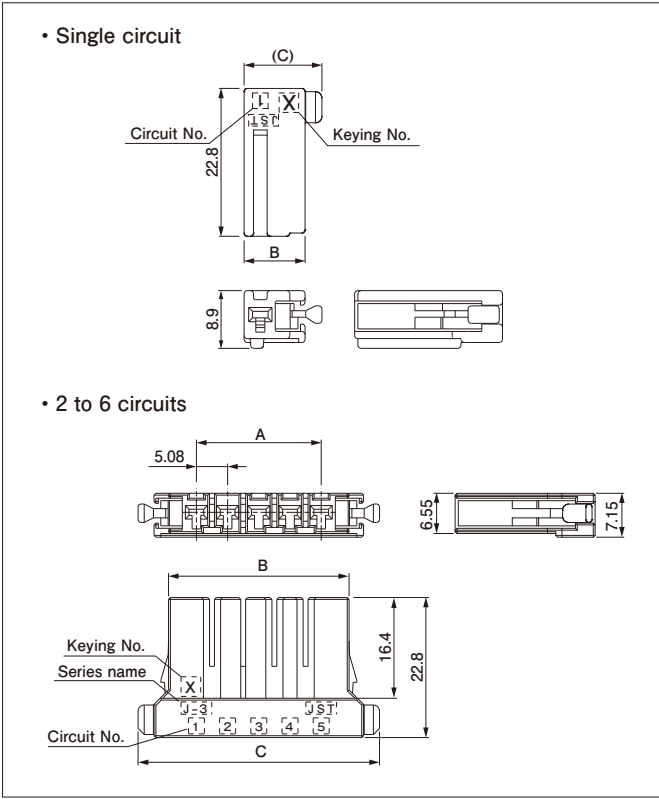
# J300 SERIES/J320S

## Assembly layout

<p>Wire-to-board</p>	<p>&lt;Top entry type&gt;</p> 	<p>&lt;Side entry type&gt;</p> <ul style="list-style-type: none"> <li>• Normal type</li> </ul>  <ul style="list-style-type: none"> <li>• Reverse type</li> </ul> 
<p>Wire-to-wire</p>	<p>&lt;Free hanging type / Panel mounting type (Screw type, Housing lock type)&gt;</p> <ul style="list-style-type: none"> <li>• Single circuit</li> </ul> 	<ul style="list-style-type: none"> <li>• 2 to 4 circuits</li> </ul> 

# J300 SERIES/J320S

## Receptacle housing



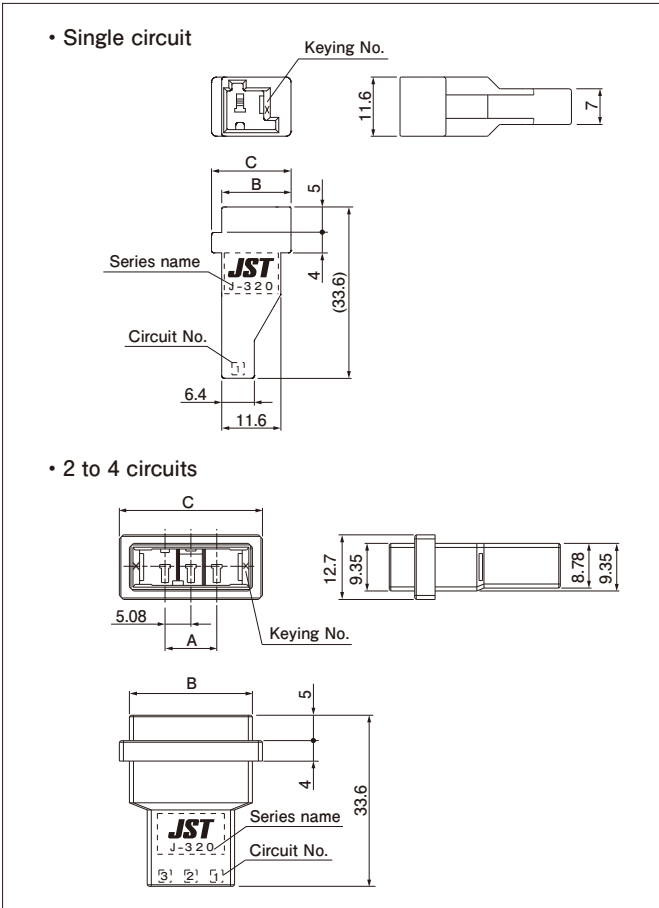
No. of circuits	Keying	Model No.	Dimensions (mm)			Q'ty/bag
			A	B	C	
1	X	F32FSS-01V-KX	—	9.40	12.00	200
	Y	F32FSS-01V-KY	—	9.40	12.00	200
2	X	F32FSS-02V-KX	5.08	14.16	24.08	200
	Y	F32FSS-02V-KY	5.08	14.16	24.08	200
3	X	F32FSS-03V-KX	10.16	19.24	29.16	200
	Y	F32FSS-03V-KY	10.16	19.24	29.16	200
4	X	F32FSS-04V-KX	15.24	24.32	34.24	200
	Y	F32FSS-04V-KY	15.24	24.32	34.24	200
5	X	F32FSS-05V-KX	20.32	29.40	39.32	200
	Y	F32FSS-05V-KY	20.32	29.40	39.32	200
6	X	F32FSS-06V-KX	25.40	34.48	44.40	100
	Y	F32FSS-06V-KY	25.40	34.48	44.40	100

**Material and Finish**

Glass-filled PBT, UL94V-0, black

RoHS2 compliance

## Tab housing (Free hanging type)



No. of circuits	Keying	Model No.	Dimensions (mm)			Q'ty/bag
			A	B	C	
1	X	F32MSF-01V-KX	—	13.60	15.60	150
	Y	F32MSF-01V-KY	—	13.60	15.60	150
2	X	F32MSF-02V-KX	5.08	19.08	23.03	200
	Y	F32MSF-02V-KY	5.08	19.08	23.03	200
3	X	F32MSF-03V-KX	10.16	24.16	28.11	200
	Y	F32MSF-03V-KY	10.16	24.16	28.11	200
4	X	F32MSF-04V-KX	15.24	29.24	33.19	200
	Y	F32MSF-04V-KY	15.24	29.24	33.19	200

**Material and Finish**

Glass-filled PBT, UL94V-0, black

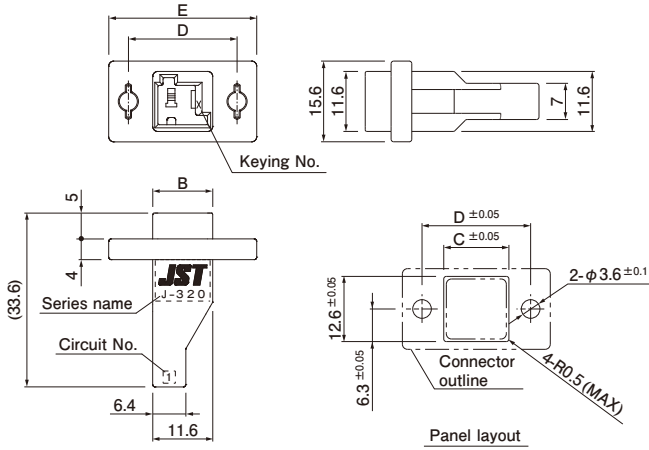
RoHS2 compliance



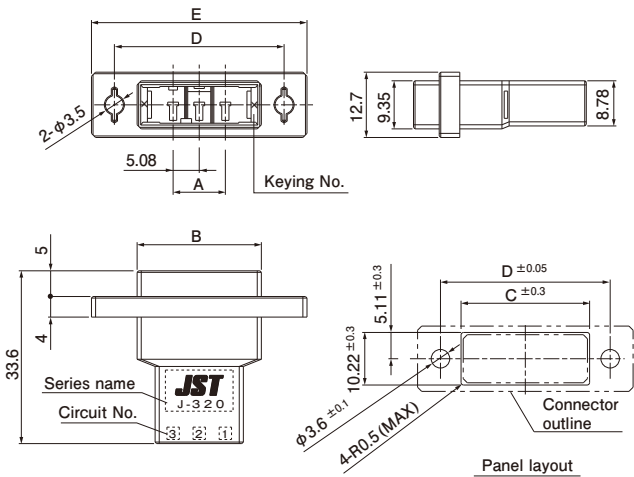
# J300 SERIES/J320S

## Tab housing (Panel mounting type)

### • Single circuit



### • 2 to 4 circuits



No. of circuits	Keying	Model No.	Dimensions (mm)					Q'ty /bag
			A	B	C	D	E	
1	X	F32MSP-01V-KX	—	11.60	12.60	21.00	28.60	150
	Y	F32MSP-01V-KY	—	11.60	12.60	21.00	28.60	150
2	X	F32MSP-02V-KX	5.08	19.08	20.00	28.00	36.83	200
	Y	F32MSP-02V-KY	5.08	19.08	20.00	28.00	36.83	200
3	X	F32MSP-03V-KX	10.16	24.16	25.00	33.00	41.91	200
	Y	F32MSP-03V-KY	10.16	24.16	25.00	33.00	41.91	200
4	X	F32MSP-04V-KX	15.24	29.24	30.00	38.00	46.99	200
	Y	F32MSP-04V-KY	15.24	29.24	30.00	38.00	46.99	200

#### Material and Finish

Glass-filled PBT, UL94V-0, black

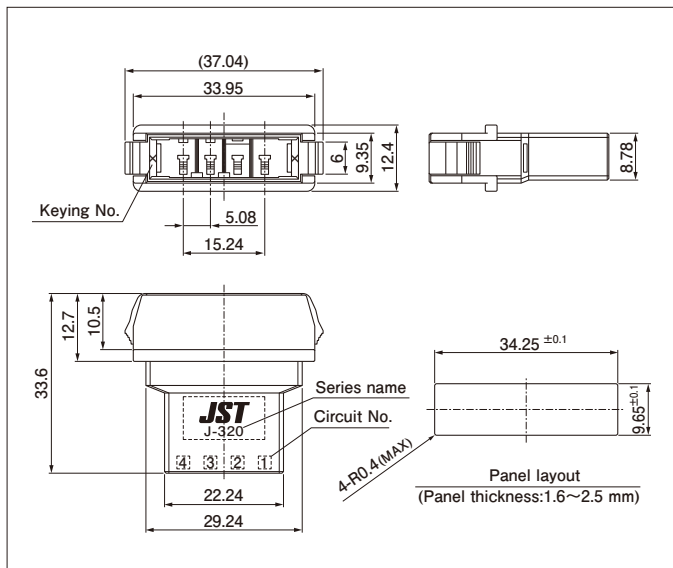
#### RoHS2 compliance

Note: 1. Punch holes in the panel. Burrs must be removed.

2. The strength of the panel must be considered when punching two or more holes.

3. The connector must be inserted from the same side as the hole is punched.

## Tab housing (Panel mounting type Housing lock type)



No. of circuits	Keying	Model No.	Q'ty/bag
4	X	F32MSPL-04V-KX	90

#### Material and Finish

Glass-filled PBT, UL94V-0, black

#### RoHS2 compliance

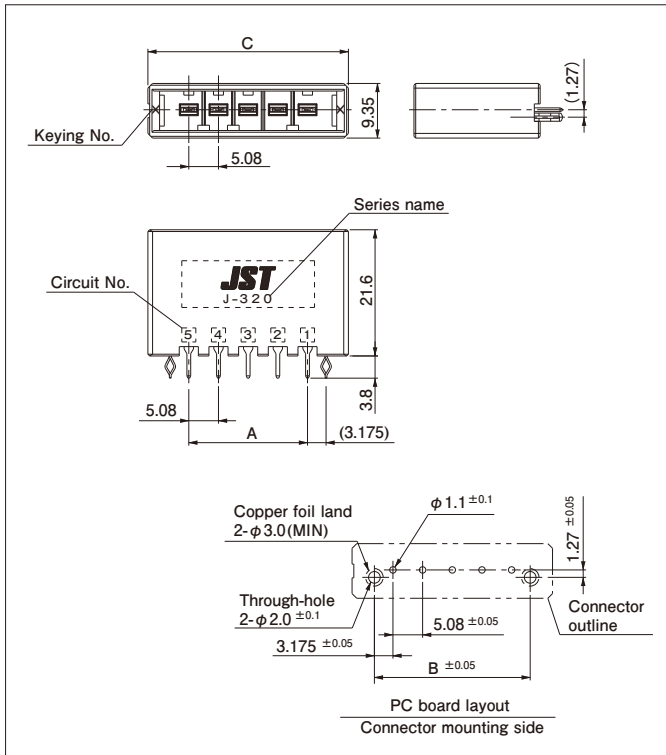
Note: 1. Punch holes in the panel. Burrs must be removed.

2. The strength of the panel must be considered when punching two or more holes.

3. The connector must be inserted from the same side as the hole is punched.

4. Unlisted in TÜV.

## Header (Top entry type)



No. of circuits	Keying	Model No.	Dimensions (mm)			Q'ty/box
			A	B	C	
2	X	B02B-F32SK-GGXR	5.08	11.43	19.08	240
	Y	B02B-F32SK-GGYR	5.08	11.43	19.08	240
3	X	B03B-F32SK-GGXR	10.16	16.51	24.16	200
	Y	B03B-F32SK-GGYR	10.16	16.51	24.16	200
4	X	B04B-F32SK-GGXR	15.24	21.59	29.24	160
	Y	B04B-F32SK-GGYR	15.24	21.59	29.24	160
5	X	B05B-F32SK-GGXR	20.32	26.67	34.32	140
	Y	B05B-F32SK-GGYR	20.32	26.67	34.32	140
6	X	B06B-F32SK-GGXR	25.40	31.75	39.40	120
	Y	B06B-F32SK-GGYR	25.40	31.75	39.40	120

### Material and Finish

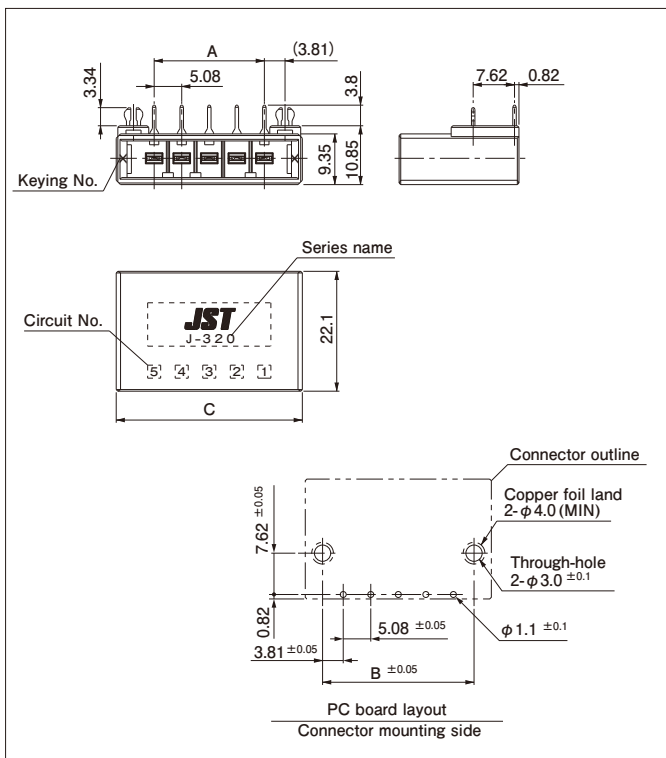
Tab contact: Copper alloy, nickel-undercoated, selective gold-plated  
Housing: Glass-filled PBT, UL94V-0, black  
Reinforcement: Copper alloy, nickel-undercoated, selective gold-plated

**RoHS2 compliance** This product displays (LF)(AU) on a label.

Note: 1. Contact JST about the headers supplied in magazine stick.

2. Contact JST about 0.76 μm gold-plated product and tin-plated product.

## Header (Side entry type)



No. of circuits	Keying	Model No.	Dimensions (mm)			Q'ty/box
			A	B	C	
2	X	S02B-F32SK-GGXR	5.08	12.70	19.08	180
	Y	S02B-F32SK-GGYR	5.08	12.70	19.08	180
3	X	S03B-F32SK-GGXR	10.16	17.78	24.16	150
	Y	S03B-F32SK-GGYR	10.16	17.78	24.16	150
4	X	S04B-F32SK-GGXR	15.24	22.86	29.24	120
	Y	S04B-F32SK-GGYR	15.24	22.86	29.24	120
5	X	S05B-F32SK-GGXR	20.32	27.94	34.32	105
	Y	S05B-F32SK-GGYR	20.32	27.94	34.32	105
6	X	S06B-F32SK-GGXR	25.40	33.02	39.40	90
	Y	S06B-F32SK-GGYR	25.40	33.02	39.40	90

### Material and Finish

Tab contact: Copper alloy, nickel-undercoated, selective gold-plated  
Housing: Glass-filled PBT, UL94V-0, black  
Reinforcement: Copper alloy, nickel-undercoated, selective gold-plated

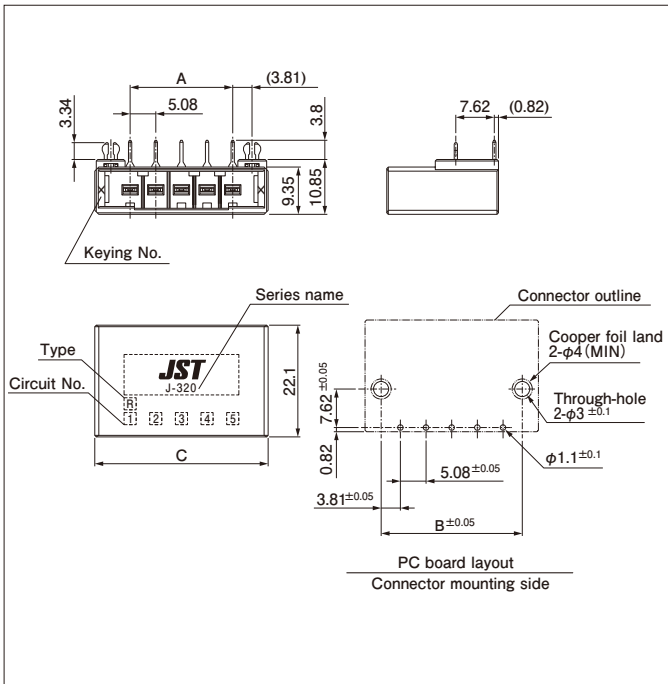
**RoHS2 compliance** This product displays (LF)(AU) on a label.

Note: 1. Contact JST about the headers supplied in magazine stick.

2. Contact JST about 0.76 μm gold-plated product and tin-plated product.

# J300 SERIES/J320S

## Header (Side entry type Reverse type)



No. of circuits	Keying	Model No.	Dimensions (mm)			Q'ty /box
			A	B	C	
5	X	SR05B-F32SK-GGXR	20.32	27.94	34.32	105
6	X	SR06B-F32SK-GGXR	25.40	33.02	39.40	90

### Material and Finish

Tab contact: Copper alloy, nickel-undercoated, selective gold-plated  
Housing: Glass-filled PBT, UL94V-0, black  
Reinforcement: Copper alloy, nickel-undercoated, selective gold-plated

**RoHS2 compliance** This product displays (LF)(AU) on a label.

Note: 1. Contact JST about the headers supplied in magazine stick.

2. Contact JST about 0.76 μm gold-plated product and tin-plated product

3. Unlisted in TÜV.

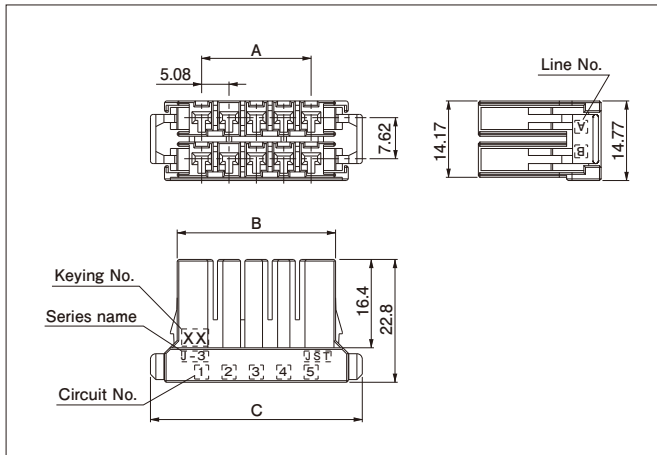
# J300 SERIES/J320M

## Assembly layout

		When mating with J320M receptacle	When mating with J320S receptacle modular
Wire-to-board	Top entry type		
	Side entry type		
Wire-to-wire	Free hanging type / Panel mounting type		

# J300 SERIES/J320M

## Receptacle housing



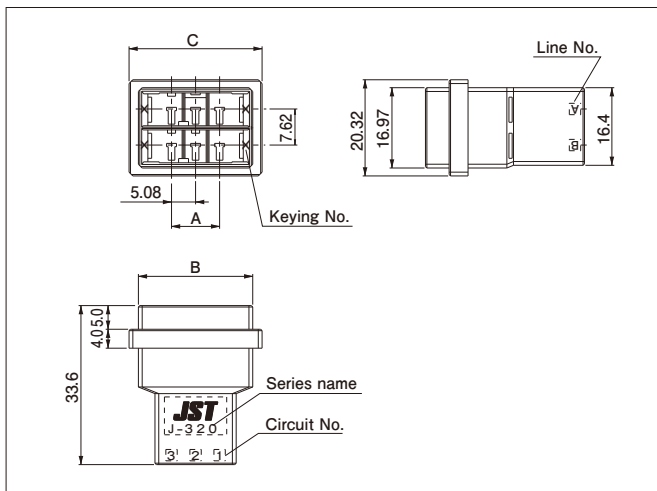
No. of circuits	Keying	Model No.	Dimensions (mm)			Q'ty /bag
			A	B	C	
6	XX	F32FMS-06V-KXX	10.16	19.24	29.16	100
	YY	F32FMS-06V-KYY	10.16	19.24	29.16	100
	XY	F32FMS-06V-KXY	10.16	19.24	29.16	100
10	XX	F32FMS-10V-KXX	20.32	29.40	39.32	100
	YY	F32FMS-10V-KYY	20.32	29.40	39.32	100
	XY	F32FMS-10V-KXY	20.32	29.40	39.32	100
12	XX	F32FMS-12V-KXX	25.40	34.48	44.40	100
	YY	F32FMS-12V-KYY	25.40	34.48	44.40	100
	XY	F32FMS-12V-KXY	25.40	34.48	44.40	100
20	XX	F32FMS-20V-KXX	45.72	54.80	64.72	84(box)

### Material and Finish

Glass-filled PBT, UL94V-0, black

RoHS2 compliance

## Tab housing (Free hanging type)



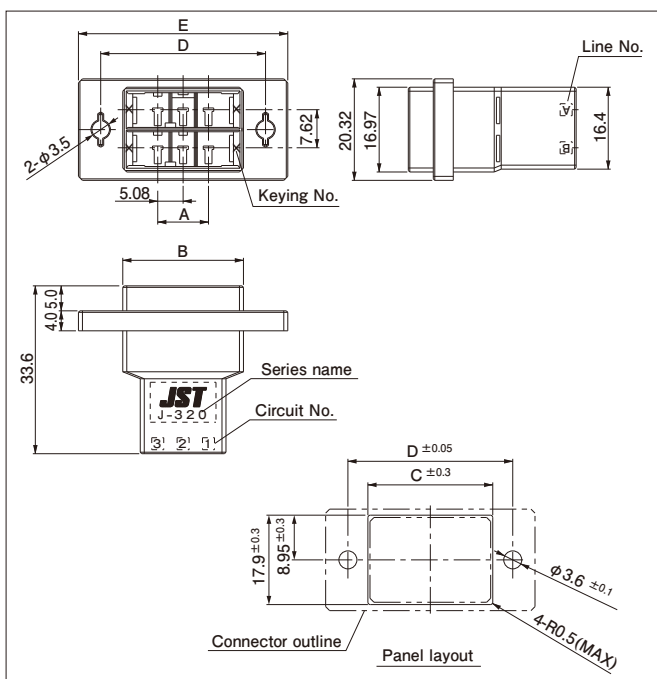
No. of circuits	Keying	Model No.	Dimensions (mm)			Q'ty /bag
			A	B	C	
6	XX	F32MDF-06V-KXX	10.16	24.16	28.11	100
	YY	F32MDF-06V-KYY	10.16	24.16	28.11	100
	XY	F32MDF-06V-KXY	10.16	24.16	28.11	100
12	XX	F32MDF-12V-KXX	25.40	39.40	43.35	100
	YY	F32MDF-12V-KYY	25.40	39.40	43.35	100
	XY	F32MDF-12V-KXY	25.40	39.40	43.35	100

### Material and Finish

Glass-filled PBT, UL94V-0, black

RoHS2 compliance

## Tab housing (Panel mounting type)



No. of circuits	Keying	Model No.	Dimensions (mm)					Q'ty /bag
			A	B	C	D	E	
6	XX	F32MDP-06V-KXX	10.16	24.16	25.00	33.00	41.91	100
	YY	F32MDP-06V-KYY	10.16	24.16	25.00	33.00	41.91	100
	XY	F32MDP-06V-KXY	10.16	24.16	25.00	33.00	41.91	100
12	XX	F32MDP-12V-KXX	25.40	39.40	41.00	49.00	57.91	100
	YY	F32MDP-12V-KYY	25.40	39.40	41.00	49.00	57.91	100
	XY	F32MDP-12V-KXY	25.40	39.40	41.00	49.00	57.91	100
20	XX	F32MDP-20V-KXX	45.72	59.72	61.00	70.00	78.23	42(box)

### Material and Finish

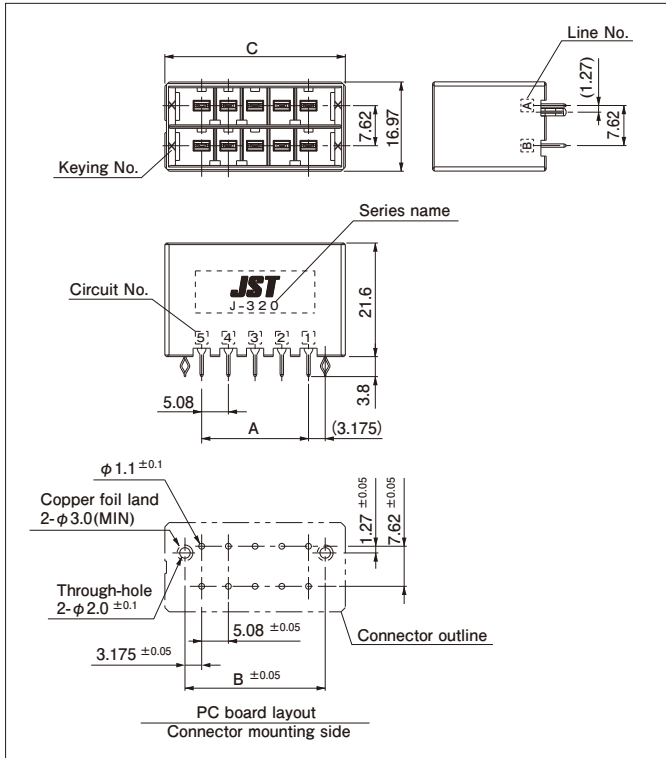
Glass-filled PBT, UL94V-0, black

RoHS2 compliance

- Note: 1. Punch holes in the panel. Burrs must be removed.  
 2. The strength of the panel must be considered when punching two or more holes.  
 3. The connector must be inserted from the same side as the hole is punched.

# J300 SERIES/J320M

## Header (Top entry type)



No. of circuits	Keying	Model No.	Dimensions (mm)			Q'ty /box
			A	B	C	
6	XX	B06B-F32MK-GGXXR	10.16	16.51	24.16	120
	YY	B06B-F32MK-GGYR	10.16	16.51	24.16	120
	XY	B06B-F32MK-GGXYYR	10.16	16.51	24.16	120
10	XX	B10B-F32MK-GGXXR	20.32	26.67	34.32	84
	YY	B10B-F32MK-GGYR	20.32	26.67	34.32	84
12	XX	B12B-F32MK-GGXXR	25.40	31.75	39.40	72
	YY	B12B-F32MK-GGYR	25.40	31.75	39.40	72
	XY	B12B-F32MK-GGXYYR	25.40	31.75	39.40	72

### Material and Finish

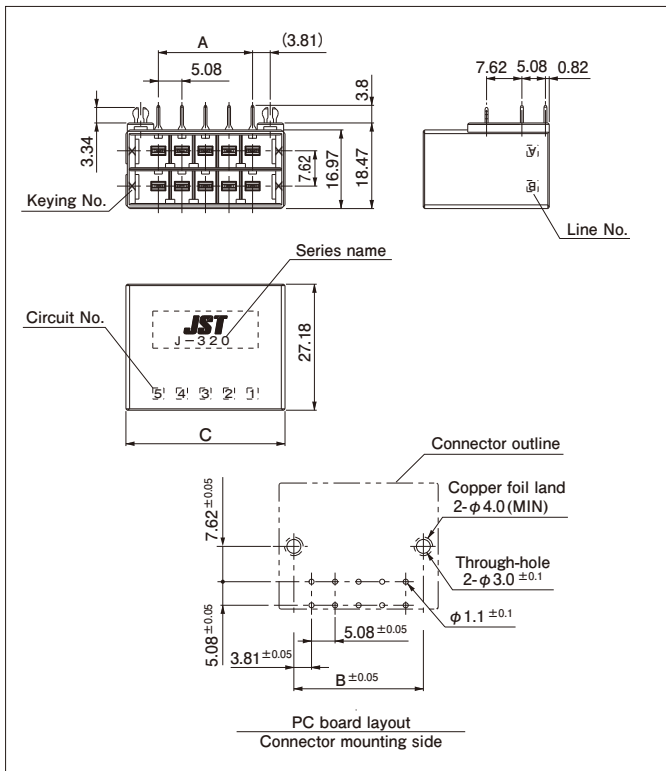
Tab contact: Copper alloy, nickel-undercoated, selective gold-plated  
Housing: Glass-filled PBT, UL94V-0, black  
Reinforcement: Copper alloy, nickel-undercoated, selective gold-plated

**RoHS2 compliance** This product displays (LF)(AU) on a label.

Note: 1. Contact JST about the headers supplied in magazine stick.

2. Contact JST about 0.76μm gold-plated product and tin-plated product.

## Header (Side entry type)



No. of circuits	Keying	Model No.	Dimensions (mm)			Q'ty /box
			A	B	C	
6	XX	S06B-F32MK-GGXXR	10.16	17.78	24.16	80
	YY	S06B-F32MK-GGYR	10.16	17.78	24.16	80
	XY	S06B-F32MK-GGXYYR	10.16	17.78	24.16	80
8	XY	S08B-F32MK-GGXYYR	15.24	22.86	29.24	64
10	XX	S10B-F32MK-GGXXR	20.32	27.94	34.32	56
	YY	S10B-F32MK-GGYR	20.32	27.94	34.32	56
	XY	S10B-F32MK-GGXYYR	20.32	27.94	34.32	56
12	XX	S12B-F32MK-GGXXR	25.40	33.02	39.40	48
	YY	S12B-F32MK-GGYR	25.40	33.02	39.40	48
	XY	S12B-F32MK-GGXYYR	25.40	33.02	39.40	48

### Material and Finish

Tab contact: Copper alloy, nickel-undercoated, selective gold-plated  
Housing: Glass-filled PBT, UL94V-0, black  
Reinforcement: Copper alloy, nickel-undercoated, selective gold-plated

**RoHS2 compliance** This product displays (LF)(AU) on a label.

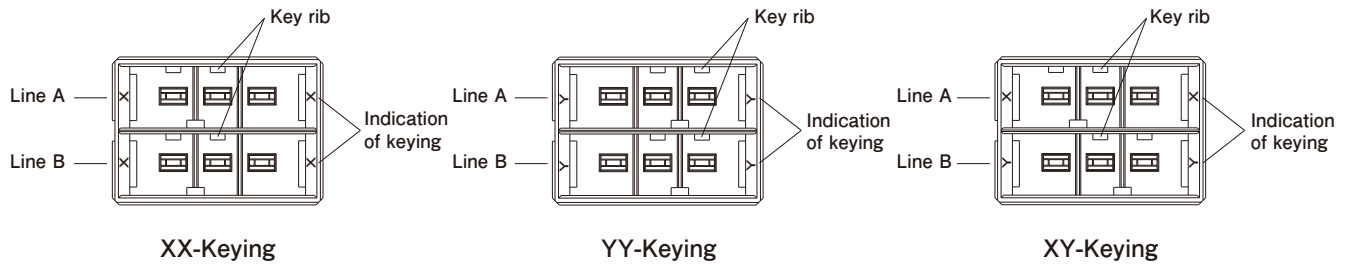
Note: 1. Contact JST about the headers supplied in magazine stick.

2. Contact JST about 0.76μm gold-plated product and tin-plated product.

# J300 SERIES/J320M

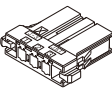
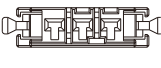



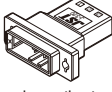

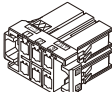
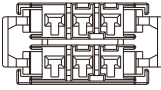
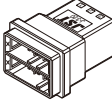
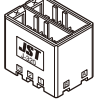
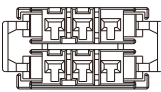


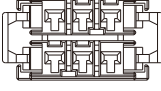
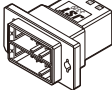
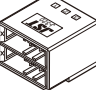
## Keying

J320M series have mis-insertion preventive keying.  
Available in 3 types – XX-Keying, YY-Keying and XY-Keying.  
(Headers viewed from the mating side are shown below.)



## List of combinations

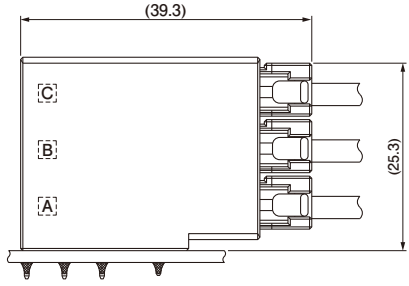
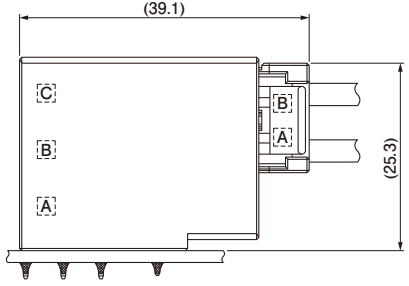
With the combination of the J320M headers and the J320M/J320S receptacle housings, the following modular combinations are possible.

Receptacle housing		Tab housing				Header	
Single-row 3, 4, 5, 6 circuits (J320S) 	X-Keying F32FSS-■ V-KX		Single-row 3, 4 circuits (J320S) 	X-Keying Free hanging type F32MSF-■ V-KX Panel mounting type F32MSP-■ V-KX	Single-row 3, 4, 5, 6 circuits (J320S) 	X-Keying Top entry type B■B-F32SK-GGXR Side entry type S■B-F32SK-GGXR	
	Y-Keying F32FSS-■ V-KY			Free hanging type 	Y-Keying Free hanging type F32MSF-■ V-KY Panel mounting type F32MSP-■ V-KY	Top entry type 	Y-Keying Top entry type B■B-F32SK-GGYR Side entry type S■B-F32SK-GGYR
Dual-row 6,10,12,20 circuits (J320M) 	XX-Keying F32FMS-■ V-KXX		Dual-row 6,12,20 circuits (J320M) 	XX-Keying Free hanging type F32MDF-■ V-KXX Panel mounting type F32MDP-■ V-KXX	Dual-row 6, 8,10,12 circuits (J320M) 	XX-Keying Top entry type B■B-F32MK-GGXR Side entry type S■B-F32MK-GGXR	
	YY-Keying F32FMS-■ V-KYY			Free hanging type 	YY-Keying Free hanging type F32MDF-■ V-KYY Panel mounting type F32MDP-■ V-KYY	Top entry type 	YY-Keying Top entry type B■B-F32MK-GGYR Side entry type S■B-F32MK-GGYR
	XY-Keying F32FMS-■ V-KXY			Panel mounting type 	XY-Keying Free hanging type F32MDF-■ V-KXY Panel mounting type F32MDP-■ V-KXY	Side entry type 	XY-Keying Top entry type B■B-F32MK-GGXR Side entry type S■B-F32MK-GGXR

Note: Number of circuits is indicated in ■■.

# J300 SERIES/J320T

## Assembly layout

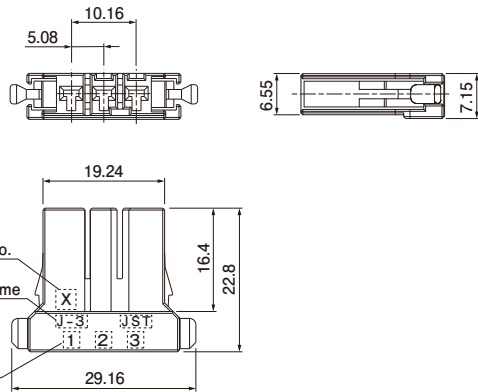
		When mating with J320S receptacle	When mating with J320M receptacle
Wire-to-board	Side entry type		



# J300 SERIES/J320T

## Receptacle housing

### Single-row type • 3 circuits



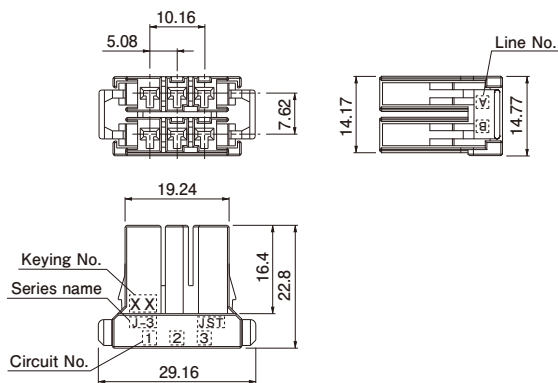
No. of circuits	Keying	Model No.	Q'ty/bag
3	X	F32FSS-03V-KXX	200
	Y	F32FSS-03V-KY	200

#### Material

Glass-filled PBT, UL94V-0, black

RoHS2 compliance

### Dual-row type • 6 circuits



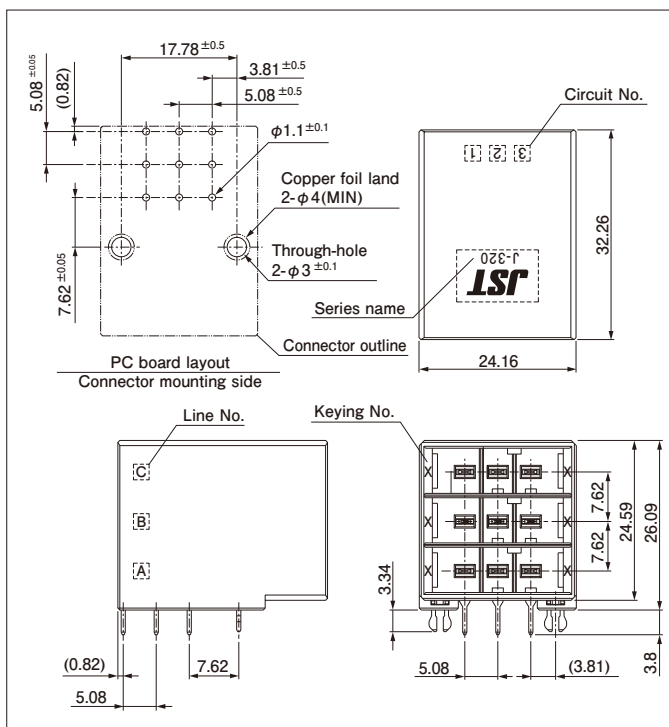
No. of circuits	Keying	Model No.	Q'ty/bag
6	XX	F32FMS-06V-KXX	100
	YY	F32FMS-06V-KYY	100
	XY	F32FMS-06V-KXY	100

#### Material and Finish

Glass-filled PBT, UL94V-0, black

RoHS2 compliance

## Header (Side entry type)



No. of circuits	Keying	Model No.	Q'ty/box
9	XXX	S09B-F32TK-GGXAR	42
	XXY	S09B-F32TK-GGXBR	42
	XYX	S09B-F32TK-GGXCR	42
	YYX	S09B-F32TK-GGXDR	42

#### Material and Finish

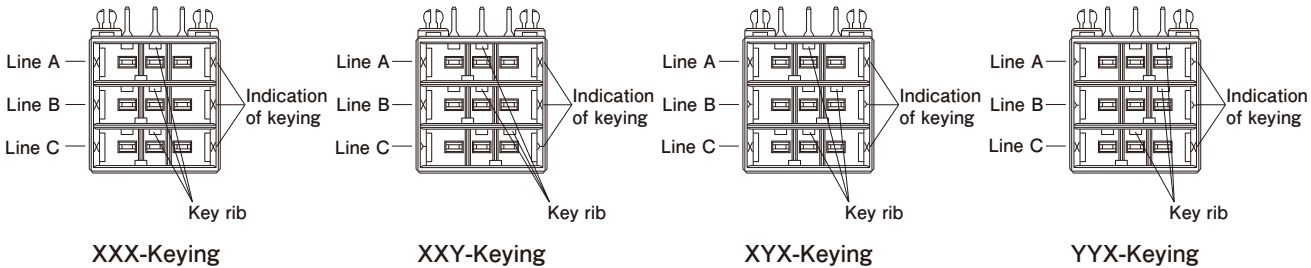
Tab contact: Copper alloy, nickel-undercoated, selective gold-plated  
Housing: Glass-filled PBT, UL94V-0, black  
Reinforcement: Copper alloy, nickel-undercoated, selective gold-plated

RoHS2 compliance This product displays (LF)(AU) on a label.

Note: Contact JST about 0.76 μm gold-plated product and tin-plated product.

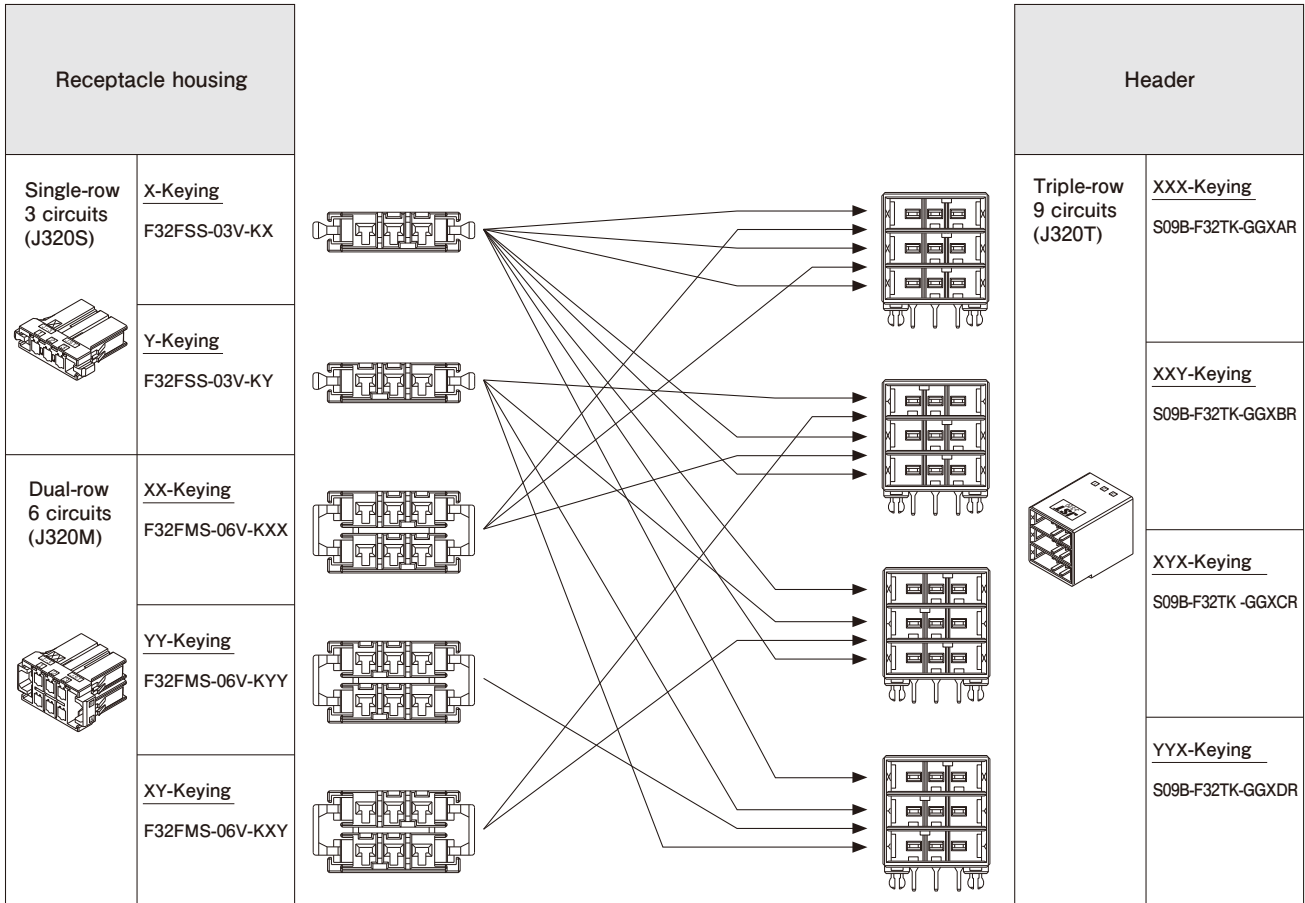
## Keying

J320T series have mis-insertion preventive keying. Available in 4 types — XXX-Keying, XXY-Keying, XYX-Keying and YYX-Keying. (Headers viewed from the mating side are shown below.)



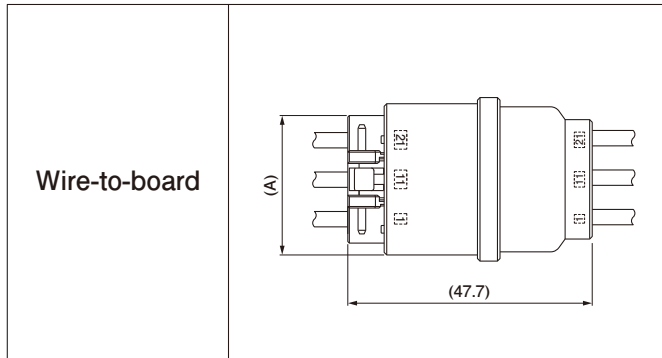
## List of combinations

With the combination of the J320T headers and the J320S/J320M receptacle housings, the following modular combinations are possible.



# J300 SERIES/J330

## Assembly layout



\* In using the products, refer to "Handling Precautions for Terminals and Connectors" described on our website (Technical documents of Product information page).

\* Dimensional unit : mm

\* RoHS2 Compliance

\* Contact JST for details.

## Specifications

· Current rating: AC/DC

Unit: A

No. of circuits	Wire size (AWG)				Dimensions (mm)	
	#14	#16	#18	#20	A	
30	8.5	7.0	5.5	4.0	27.2	
40	8.5	7.0	5.5	4.0	34.9	

· Voltage rating: 600 V AC/DC

· Temperature range: -55°C to +105°C

(including temperature rise in applying electrical current)

· Contact resistance: Initial value/ 5 mΩ max.

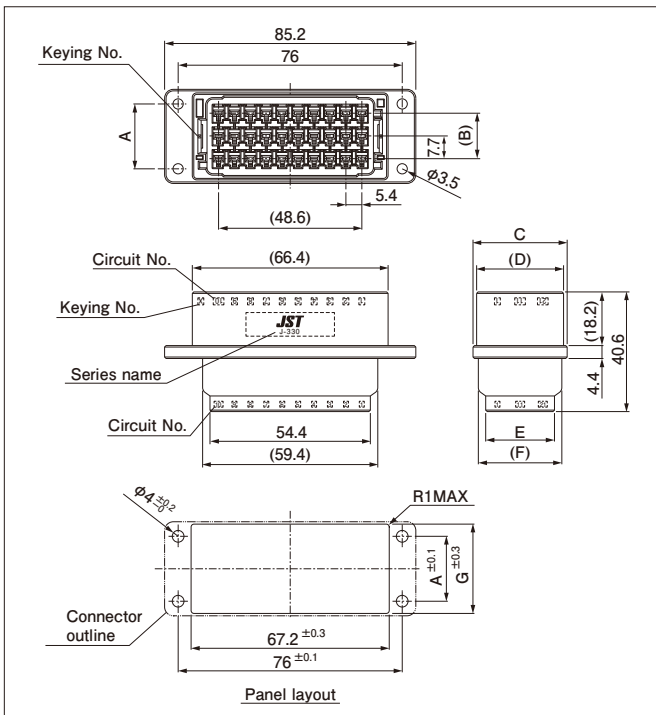
After environmental tests/ 10 mΩ max.

· Insulation resistance: 1,000 MΩ min.

· Withstanding voltage: 2,200 VAC/minute

· Applicable wire: AWG #28 to #14

## Receptacle housing (Reverse type Panel mounting type)



No. of circuits	Keying	Model No.	Dimensions (mm)							Q'ty /box
			A	B	C	D	E	F	G	
30	X	F33FRTPA-30V-KX	22.0	15.4	31.9	29.5	23.3	28.3	30.3	56
	Y	F33FRTPA-30V-SY	22.0	15.4	31.9	29.5	23.3	28.3	30.3	56
	Z	F33FRTPA-30V-EZ	22.0	15.4	31.9	29.5	23.3	28.3	30.3	56
40	X	F33FRFPA-40V-KX	29.7	23.1	39.6	37.2	31.0	36.0	38.0	12
	Y	F33FRFPA-40V-SY	29.7	23.1	39.6	37.2	31.0	36.0	38.0	12
	Z	F33FRFPA-40V-EZ	29.7	23.1	39.6	37.2	31.0	36.0	38.0	12
	W	F33FRFPA-40V-MW	29.7	23.1	39.6	37.2	31.0	36.0	38.0	12

### Material and Finish

Glass-filled PBT, UL94V-0, X-Keying (black), Y-Keying (white), Z-Keying (blue), W-Keying (green)

### RoHS2 compliance

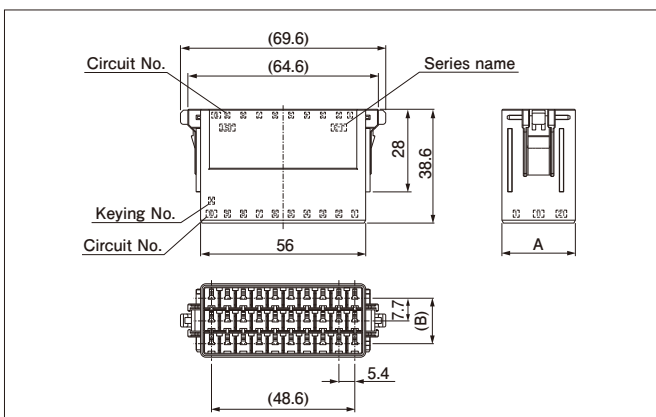
Note: 1. Punch holes in the panel. Burrs must be removed.

2. The strength of the panel must be considered when punching two or more holes.

3. The connector must be inserted from the same side as the hole is punched.

4. Unlisted in UL/TÜV.

## Tab housing (Reverse type)



No. of circuits	Keying	Model No.	Dimensions (mm)		Q'ty /box
			A	B	
30	X	F33MRTS-30V-KX	24.9	15.4	64
	Y	F33MRTS-30V-SY	24.9	15.4	64
	Z	F33MRTS-30V-EZ	24.9	15.4	64
40	X	F33MRFS-40V-KX	32.6	23.1	64
	Y	F33MRFS-40V-SY	32.6	23.1	64
	Z	F33MRFS-40V-EZ	32.6	23.1	64
	W	F33MRFS-40V-MW	32.6	23.1	64

### Material and Finish

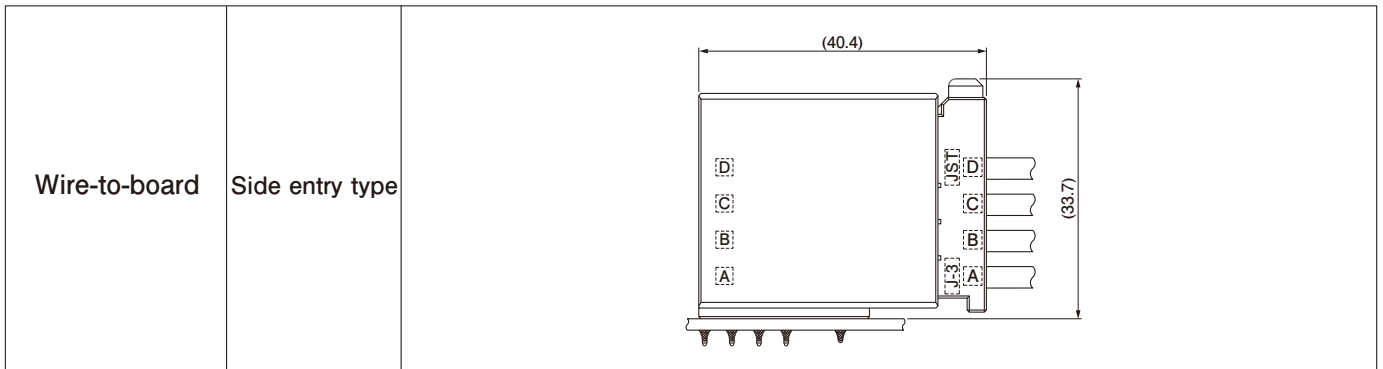
Glass-filled PBT, UL94V-0, X-Keying (black), Y-Keying (white), Z-Keying (blue), W-Keying (green)

### RoHS2 compliance

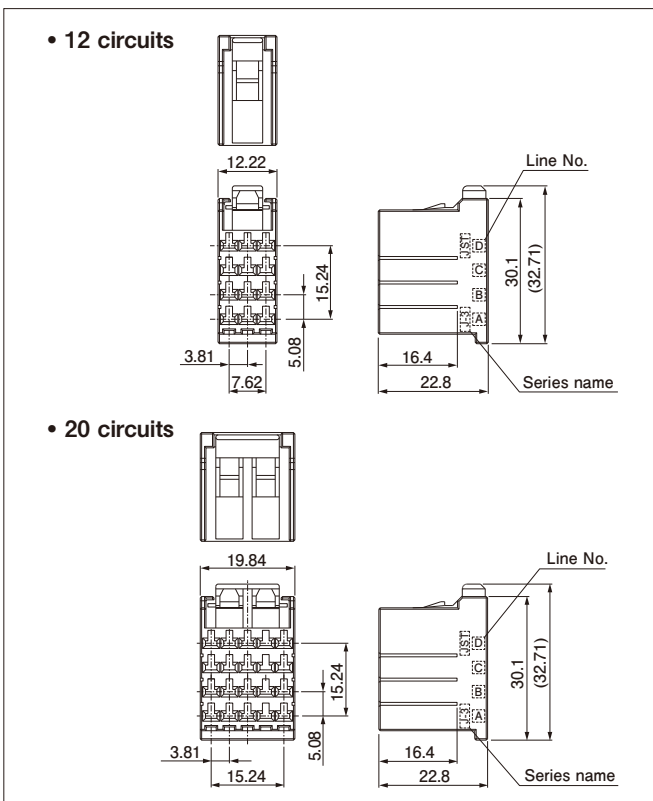
Note: Unlisted in UL/TÜV.

# J300 SERIES/J340F

## Assembly layout



## Receptacle housing



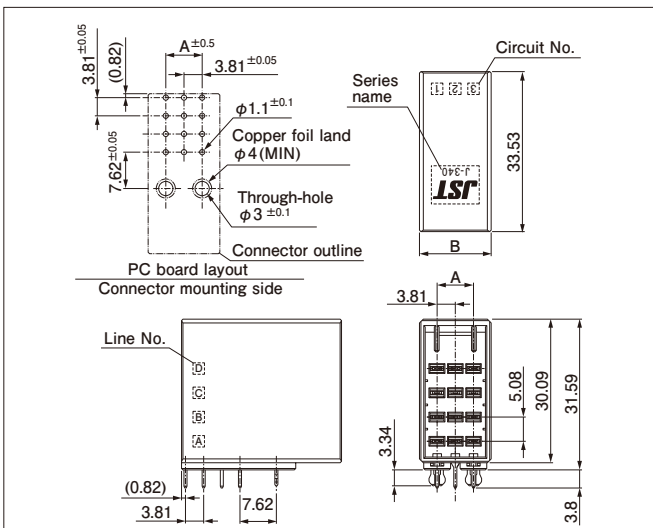
No. of circuits	Keying	Model No.	Q'ty/bag
12	—	F34FFC-12V-K	100
20	—	F34FFC-20V-K	100

### Material and Finish

Glass-filled PBT, UL94V-0, black

RoHS2 compliance

## Header (Side entry type)



No. of circuits	Keying	Model No.	Dimensions (mm)		Q'ty/box
			A	B	
12	—	SC12B-F34FK-GGR	7.62	15.02	63
20	—	SC20B-F34FK-GGR	15.24	22.64	42

### Material and Finish

Tab contact: Copper alloy, nickel-undercoated, selective gold-plated  
Housing: Glass-filled PBT, UL94V-0, black  
Reinforcement: Copper alloy, nickel-undercoated, selective gold-plated

RoHS2 compliance This product displays (LF)(AU) on a label.  
Note: Contact JST about 0.76 μm gold-plated product and tin-plated product.

# J300 SERIES/J350D

## Assembly layout

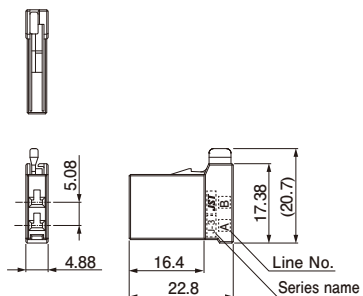
<p>Wire-to-board</p>	<p>&lt;Top entry type&gt;</p>	<p>&lt;Side entry type&gt;</p>
<p>Wire-to-wire</p>	<p>&lt;Free hanging type / Panel mounting type&gt;</p>	

\*When mating with receptacle housing (2-circuit)

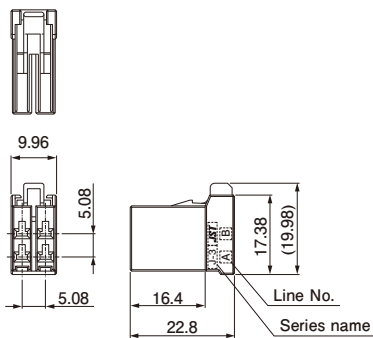
# J300 SERIES/J350D

## Receptacle housing

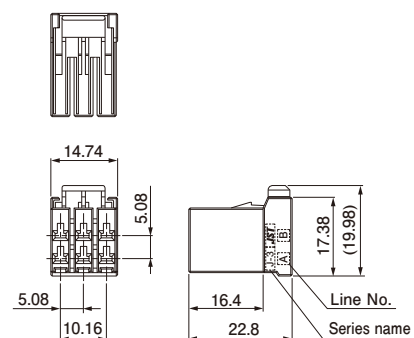
### • 2 circuits



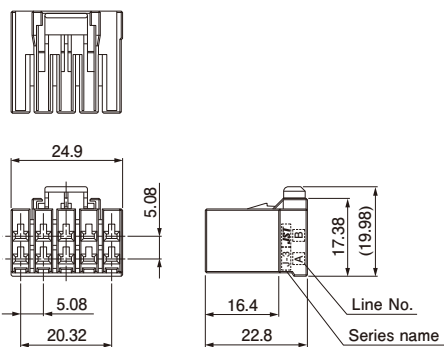
### • 4 circuits



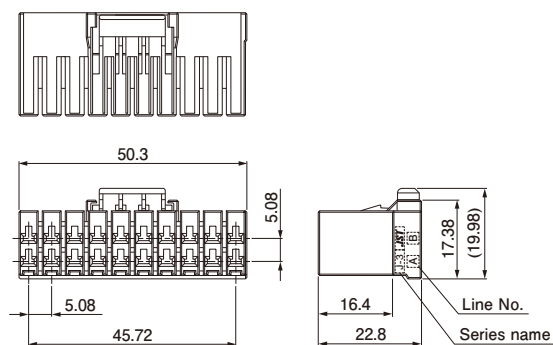
### • 6 circuits



### • 10 circuits



### • 20 circuits



No. of circuits	Keying	Model No.	Q'ty/bag
2	—	F35FDC-02V-K	200
4	—	F35FDC-04V-K	200
6	—	F35FDC-06V-K	200
10	—	F35FDC-10V-K	100

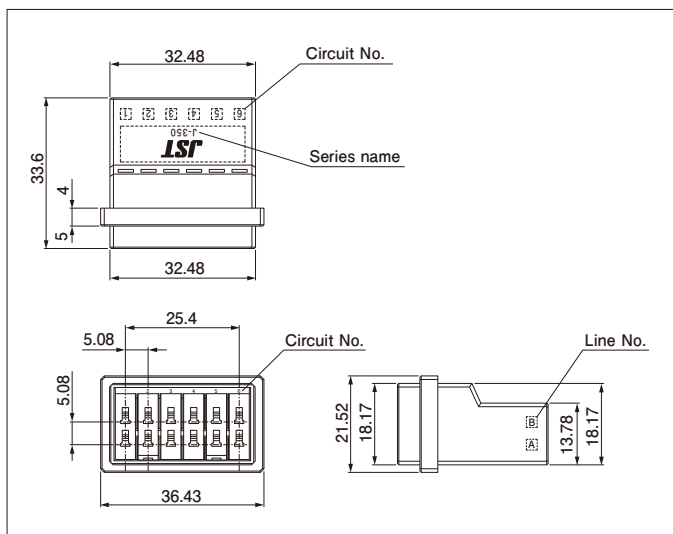
#### Material and Finish

Glass-filled PBT, UL94V-0, black

RoHS2 compliance

# J300 SERIES/J350D

## Tab housing (Free hanging type)

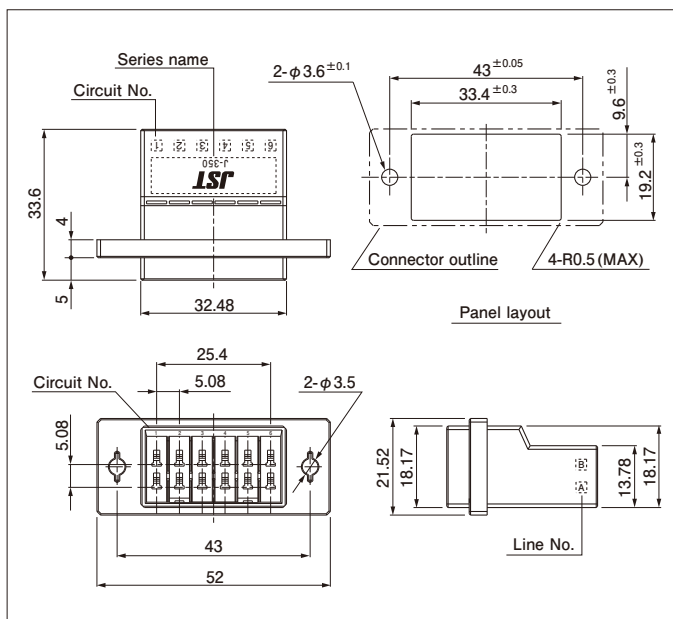


No. of circuits	Keying	Model No.	Q'ty/box
12	—	F35MDF-12V-K	50

Material and Finish			
Glass-filled PBT, UL94V-0, black			

RoHS2 compliance  
Note: Unlisted in TÜV.

## Tab housing (Panel mounting type)



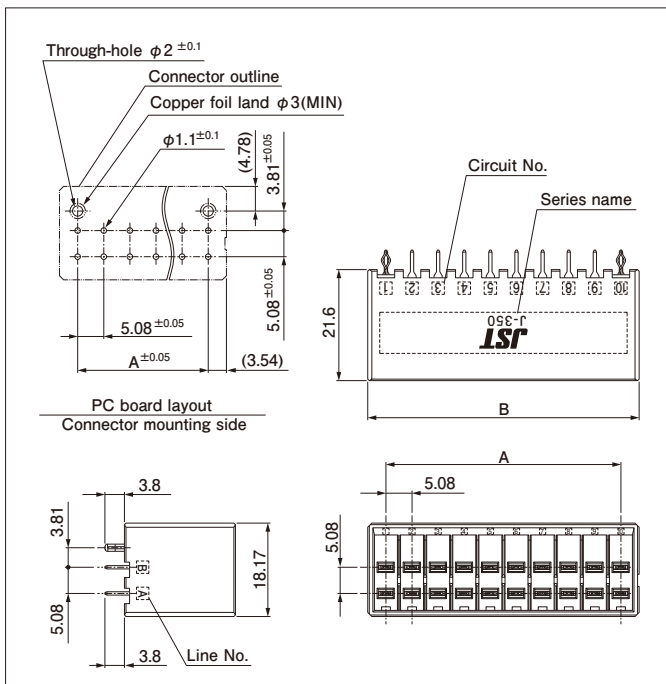
No. of circuits	Keying	Model No.	Q'ty/box
12	—	F35MDP-12V-K	41

Material and Finish			
Glass-filled PBT, UL94V-0, black			

RoHS2 compliance  
Note: 1. Punch holes in the panel. Burrs must be removed.  
2. The strength of the panel must be considered when punching two or more holes.  
3. The connector must be inserted from the same side as the hole is punched.  
4. Unlisted in TÜV.

# J300 SERIES/J350D

## Header (Top entry type)



No. of circuits	Keying	Model No.	Dimensions (mm)		Q'ty/box
			A	B	
12	—	BC12B-F35DK-GGR	25.40	32.48	56
20	—	BC20B-F35DK-GGR	45.72	52.80	32

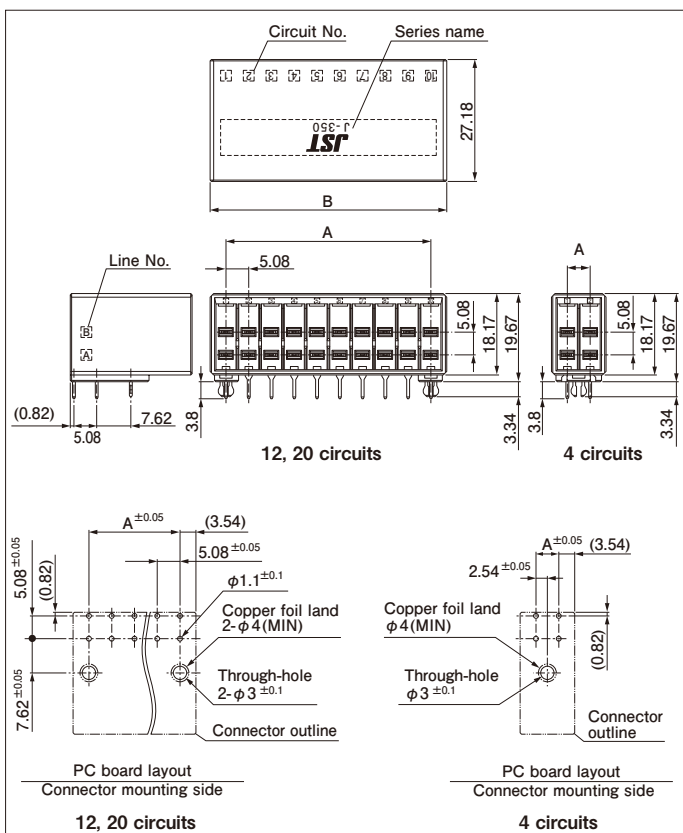
### Material and Finish

Tab contact: Copper alloy, nickel-undercoated, selective gold-plated  
Housing: Glass-filled PBT, UL94V-0, black  
Reinforcement: Copper alloy, nickel-undercoated, selective gold-plated

RoHS2 compliance This product displays (LF)(AU) on a label.

Note: Contact JST about 0.76 μm gold-plated product and tin-plated product.

## Header (Side entry type)



No. of circuits	Keying	Model No.	Dimensions (mm)		Q'ty/box
			A	B	
4	—	SC04B-F35DK-GGR	5.08	12.16	152
12	—	SC12B-F35DK-GGR	25.40	32.48	56
20	—	SC20B-F35DK-GGR	45.72	52.80	32

### Material and Finish

Tab contact: Copper alloy, nickel-undercoated, selective gold-plated  
Housing: Glass-filled PBT, UL94V-0, black  
Reinforcement: Copper alloy, nickel-undercoated, selective gold-plated

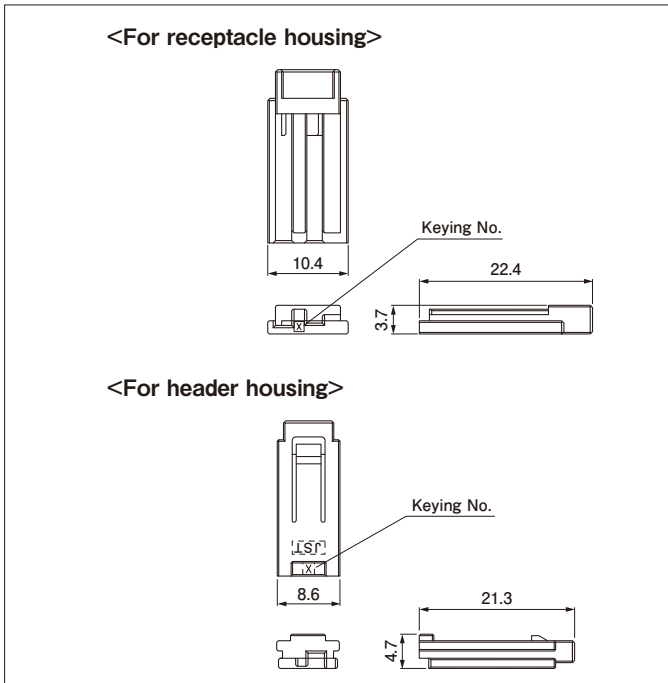
RoHS2 compliance This product displays (LF)(AU) on a label.

Note: Contact JST about 0.76 μm gold-plated product and tin-plated product.



# J300 SERIES/KEYING BLOCK

## Keying block



	Keying	Model No.	Q'ty/bag
For receptacle housing	X	J3KF-VR-X	1,000
	Y	J3KF-VY-Y	1,000
	Z	J3KF-VE-Z	1,000
	W	J3KF-VS-W	1,000
For header housing	X	J3KM-VR-X	1,000
	Y	J3KM-VY-Y	1,000
	Z	J3KM-VE-Z	1,000
	W	J3KM-VS-W	1,000

### Material and Finish

Glass-filled PBT, UL94V-0, X-Keying (red), Y-Keying (yellow), Z-Keying (blue), W-Keying (white)

### RoHS2 compliance

Note: Unlisted in UL / TÜV.

## Features

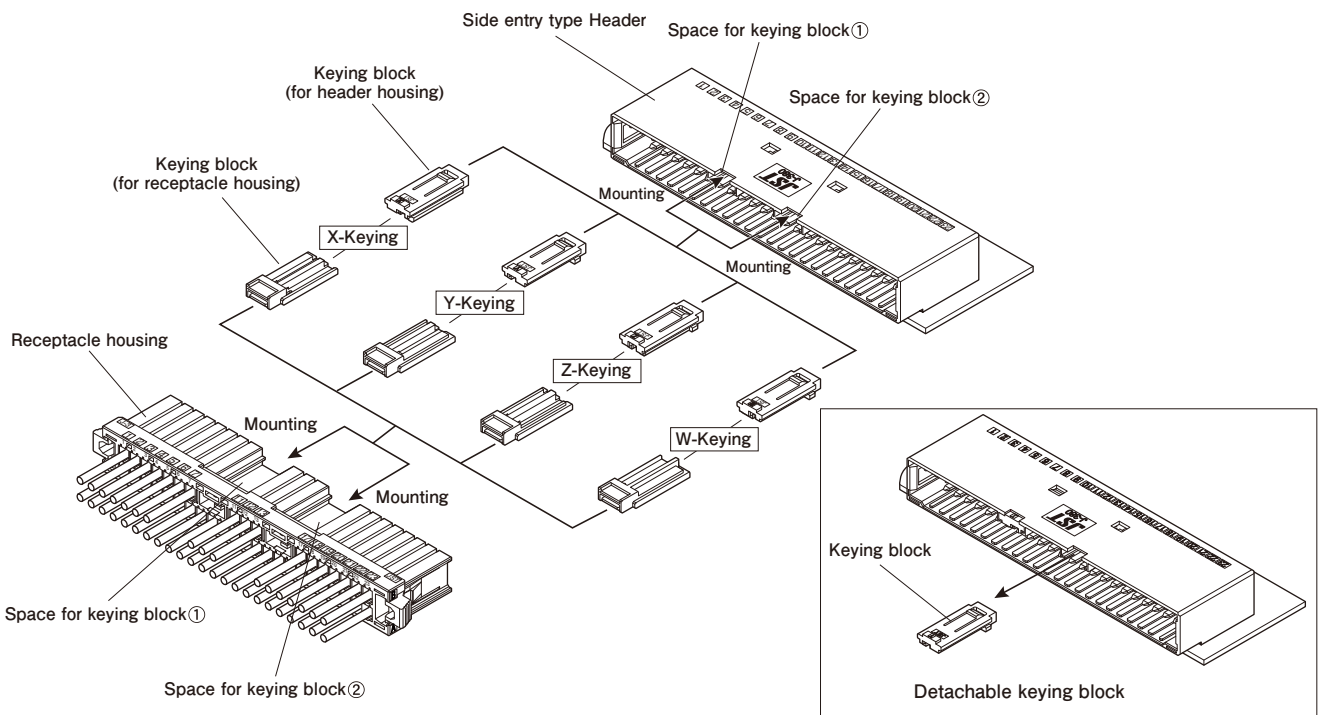
Mis-mating prevention keying block can be freely mounted to keying block space.

- 16 types of keying can be provided by mounting 4 types of keying block to 2 keying block spaces.
- Since a color varies on each type of keying, the kind of keying is easy to recognize.

### Variation of keying

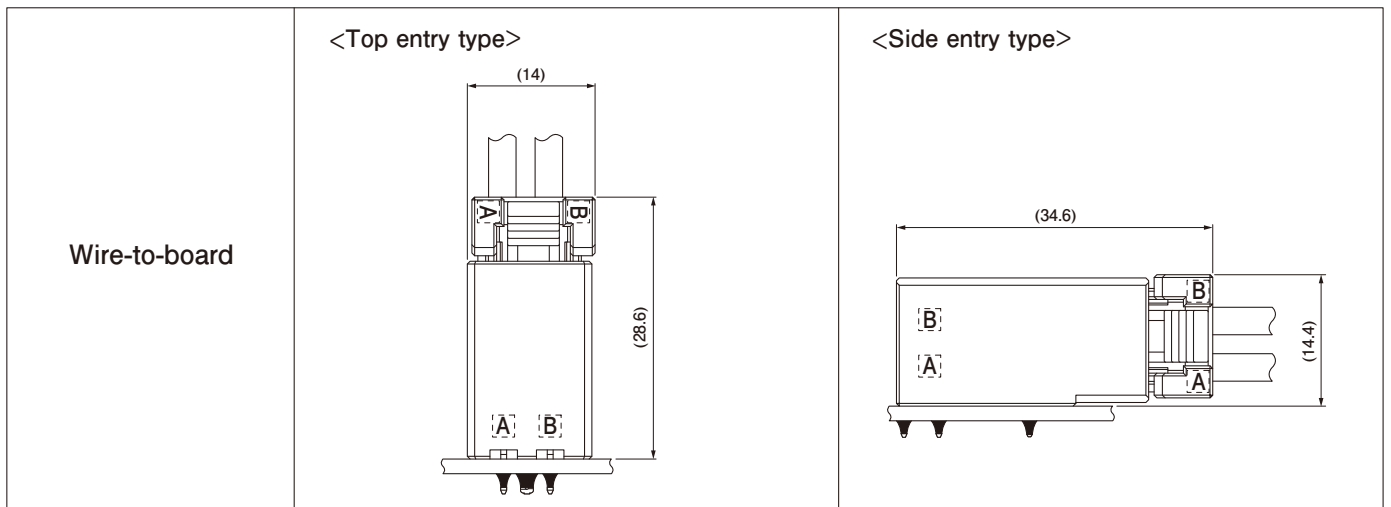
	X-Keying (red)	Y-Keying (yellow)	Z-Keying (blue)	W-Keying (white)
For header housing				
For receptacle housing				

## How to use keying block (When using J380D)

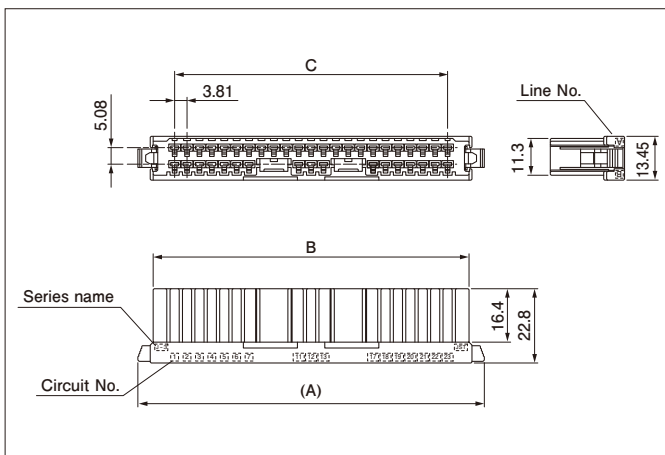


# J300 SERIES/J380D (for keying block)

## Assembly layout



## Receptacle housing



No. of circuits	Keying	Model No.	Dimensions (mm)			Q'ty /bag
			A	B	C	
20	—	F38FDS-20V-KE	68.3	58.9	45.72	100
40	—	F38FDS-40V-KE	106.4	97.0	83.82	60

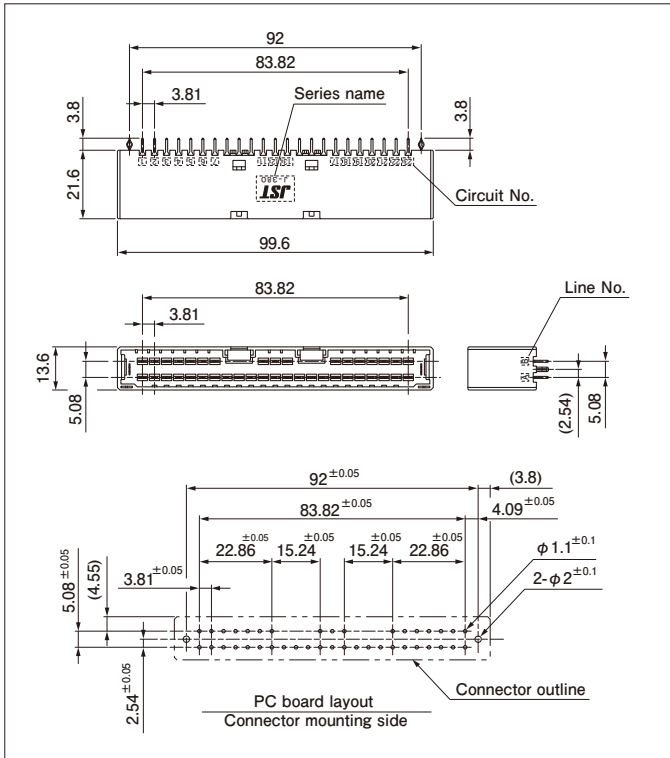
### Material and Finish

Glass-filled PBT, UL94V-0, black

**RoHS2 compliance** This product displays (LF)(AU) on a label.  
Note: Unlisted in UL/TÜV.

# J300 SERIES/J380D (for keying block)

## Header (Top entry type)



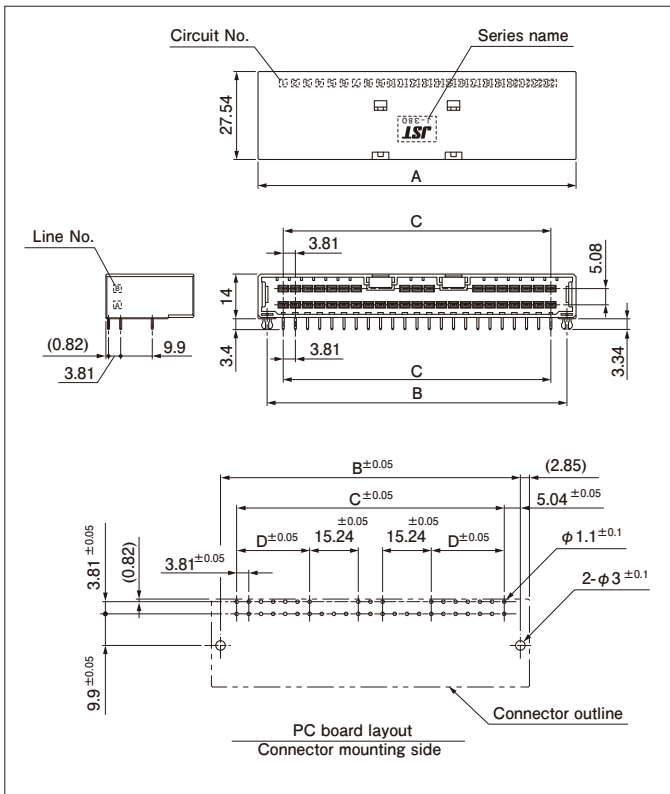
No. of circuits	Keying	Model No.	Q'ty/box
40	—	B04B-F38DK-GGER	24

### Material and Finish

Tab contact: Copper alloy, nickel-undercoated, selective gold-plated  
Housing: Glass-filled PBT, UL94V-0, black  
Reinforcement: Copper alloy, nickel-undercoated, selective gold-plated

**RoHS2 compliance** This product displays (LF)(AU) on a label.  
Note: 1. Contact JST about 0.76 μm gold-plated product and tin-plated product.  
2. Unlisted in UL / TÜV.

## Header (Side entry type)

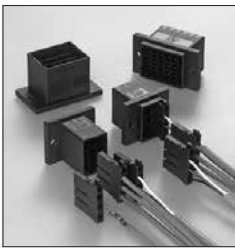


No. of circuits	Keying	Model No.	Dimensions (mm)				Q'ty /box
			A	B	C	D	
20	—	S20B-F38DK-GGER	61.5	55.8	45.72	3.81	120
40	—	S40B-F38DK-GGER	99.6	93.9	83.82	22.86	72

### Material and Finish

Tab contact: Copper alloy, nickel-undercoated, selective gold-plated  
Housing: Glass-filled PBT, UL94V-0, black  
Reinforcement: Copper alloy, nickel-undercoated, selective gold-plated

**RoHS2 compliance** This product displays (LF)(AU) on a label.  
Note: 1. Contact JST about 0.76 μm gold-plated product and tin-plated product.  
2. Unlisted in UL / TÜV.



# J300 SERIES COMMON TYPE/J350D

## Dual-row Common type (J350D)

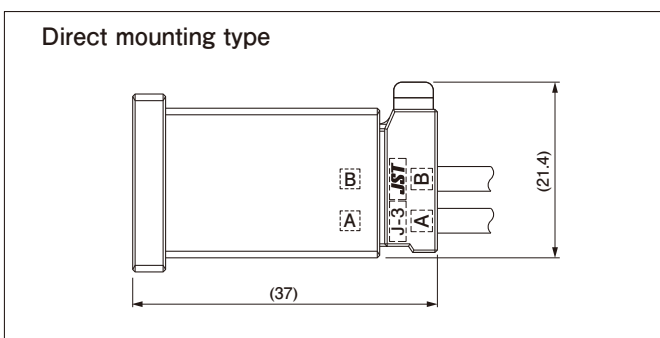
Unit: A

Receptacle side	Tab side	Appearance	Circuit figure	Current rating ( AC, DC)						
				Wire size (AWG)						
				Circuit	Note 1	#14	#16	#18	#20	Remark
Normal Receptacle housing	Contact for common connection Tab side			12	-	13.0	11.5	9.5	7.5	Total input current on single-row
Receptacle housing assembly with common connection	Contact for common connection Tab side			12	-	13.0	11.5	9.5	7.5	Total input current on all circuits
	Header			4	11.25	11.25	11.25	10.0	8.0	-
				12	8.25	8.25	8.25	7.75	6.0	
				20	8.0	8.0	8.0	7.25	6.0	
Tab housing			12	-	8.25	8.25	7.75	6.0	-	

Note: Use only receptacle housing assembly with common connection.

- Rationalization of wiring is realized by the common connection inside the connector

### Assembly layout



\*When mating with receptacle housing (2-circuit)

### Specifications

- Current rating: Refer to the above table.
- Voltage rating: 600 V AC/DC
- Temperature range: -55°C to +105°C (including temperature rise in applying electrical current)
- Contact resistance: Initial value/ 10 mΩ max. After environmental tests/ 20 mΩ max.
- Insulation resistance: 1,000 MΩ min.
- Withstanding voltage: 2,200 VAC/minute
- Applicable wire: AWG #28 to #14
- \* In using the products, refer to "Handling Precautions for Terminals and Connectors" described on our website (Technical documents of Product information page).
- \* Dimensional unit : mm
- \* RoHS2 Compliance
- \* Contact JST for details.

# J300 SERIES COMMON TYPE/J350D

## Receptacle housing

• 2 circuits

• 4 circuits

• 6 circuits

• 10 circuits

No. of circuits	Keying	Model No.	Q'ty/bag
2	—	F35FDC-02V-K	200
4	—	F35FDC-04V-K	200
6	—	F35FDC-06V-K	200
10	—	F35FDC-10V-K	100

**Material and Finish**

Glass-filled PBT, UL94V-0, black

**RoHS2 compliance**

## Receptacle housing assembly with common connection

No. of circuits	Keying	Model No.	Q'ty/box
—	—	F35FDC-00(2-A1D)V-EC	700

**Material and Finish**

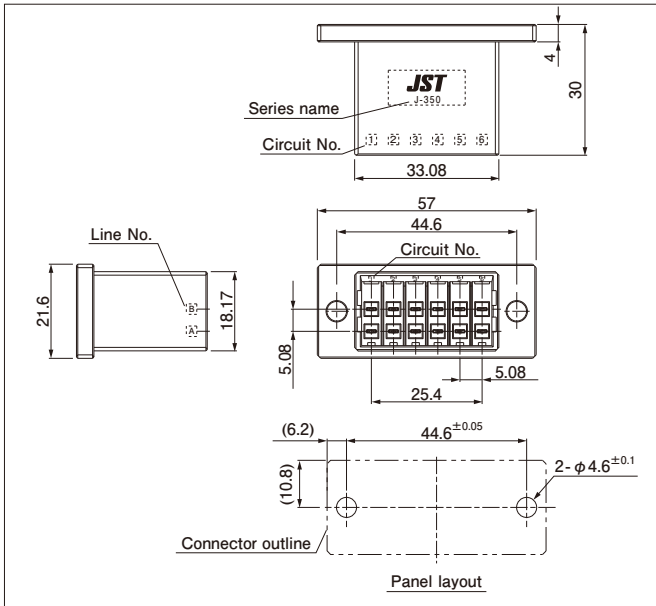
Contact for common connection: Copper alloy, nickel-undercoated, selective gold-plated  
Housing: Glass-filled PBT, UL94V-0, blue

**RoHS2 compliance**  
Note: 1. Contact JST about 0.76 μm gold-plated product and tin-plated product.  
2. Unlisted in UL/TÜV.

Cross-section of receptacle housing assembly with common connection	Illustration when using	Circuit figure when using
<p>Inserted the contact for common connection to the inside of receptacle housing</p>	<p>*When using receptacle housing assembly with common connection</p>	<p>Contact for common connection Tab side</p> <p>Contact for common connection Receptacle side</p>

# J300 SERIES COMMON TYPE/J350D

## Tab housing Assembly



No. of circuits	Keying	Model No.	Q'ty/box
12	—	P12B-F35DK-GFAR	196

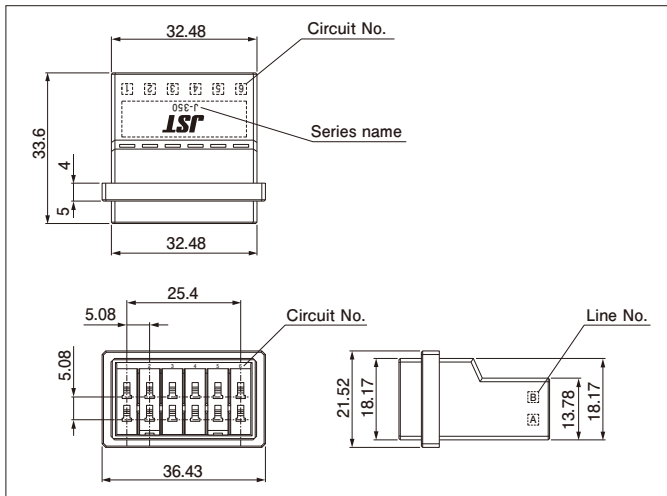
### Material and Finish

Tab contact: Copper alloy, nickel-undercoated, selective gold-plated  
Housing: Glass-filled PBT, UL94V-0, black

### RoHS2 compliance

- Note: 1. Punch holes in the panel. Burrs must be removed.  
2. The strength of the panel must be considered when punching two or more holes.  
3. The connector must be inserted from the same side as the hole is punched.  
4. Contact JST about 0.76 $\mu$ m gold-plated product and tin-plated product.  
5. Refer to the top page of J350D (Common type) for circuit figure.

## Tab housing (Free hanging type)



No. of circuits	Keying	Model No.	Q'ty/box
12	—	F35MDF-12V-K	50

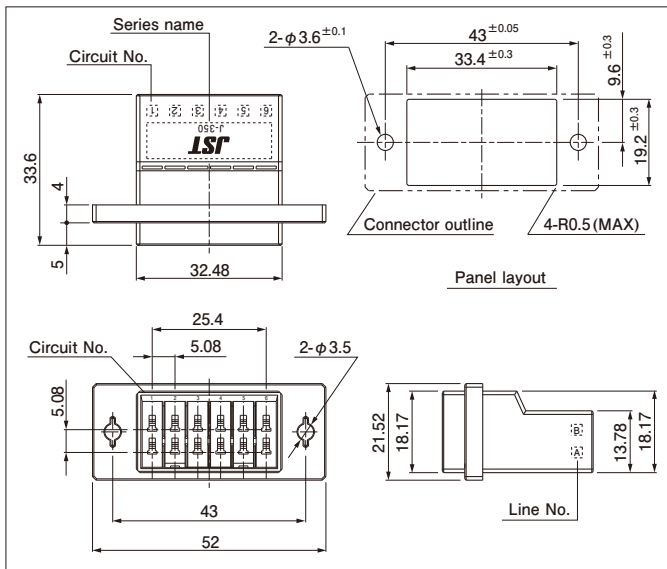
### Material

Glass-filled PBT, UL94V-0, black

### RoHS2 compliance

Note: Unlisted in TÜV.

## Tab housing (Panel mounting type)



No. of circuits	Keying	Model No.	Q'ty/box
12	—	F35MDP-12V-K	41

### Material and Finish

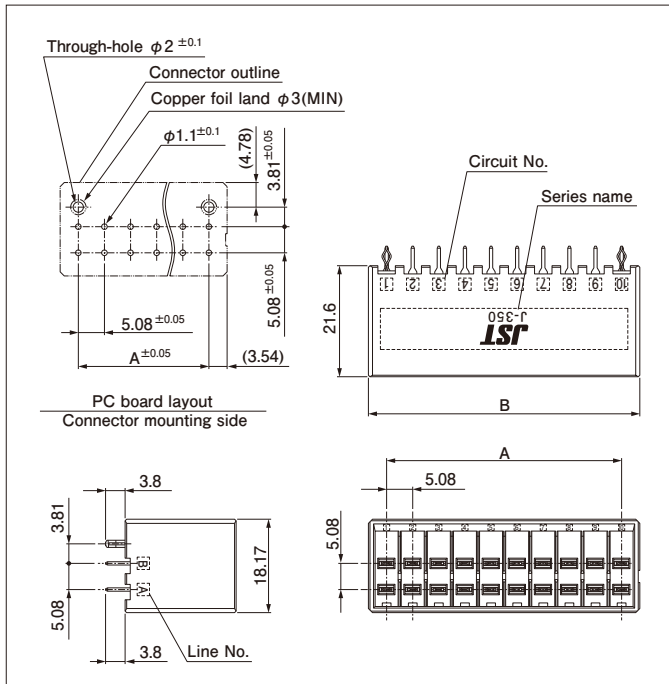
Glass-filled PBT, UL94V-0, black

### RoHS2 compliance

- Note: 1. Punch holes in the panel. Burrs must be removed.  
2. The strength of the panel must be considered when punching two or more holes.  
3. The connector must be inserted from the same side as the hole is punched.  
4. Unlisted in TÜV.

# J300 SERIES COMMON TYPE/J350D

## Header (Top entry type)



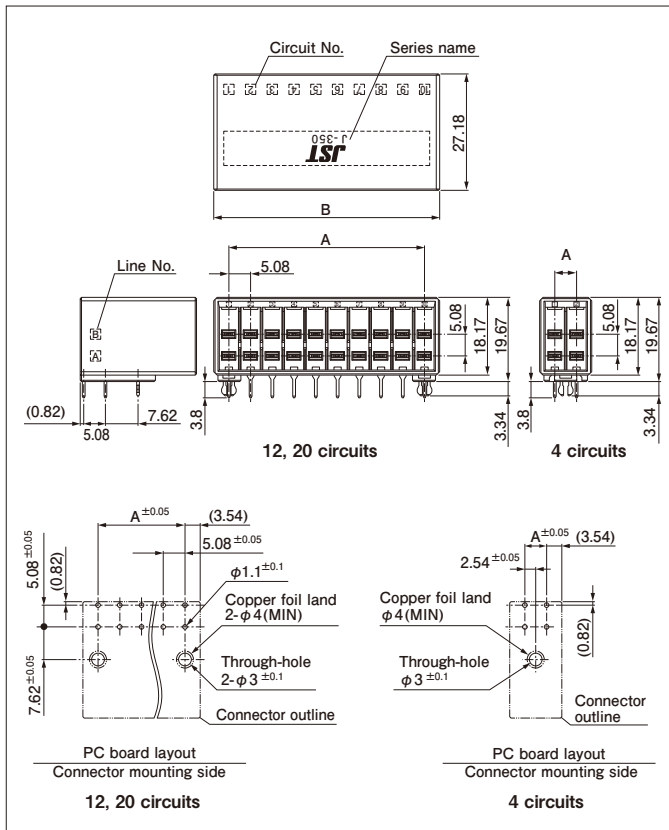
No. of circuits	Keying	Model No.	Dimensions (mm)		Q'ty/box
			A	B	
12	—	BC12B-F35DK-GGR	25.40	32.48	56
20	—	BC20B-F35DK-GGR	45.72	52.80	32

### Material and Finish

Tab contact: Copper alloy, nickel-undercoated, selective gold-plated  
Housing: Glass-filled PBT, UL94V-0, black  
Reinforcement: Copper alloy, nickel-undercoated, selective gold-plated

**RoHS2 compliance** This product displays (LF)(AU) on a label.  
Note: Contact JST about 0.76  $\mu\text{m}$  gold-plated product and tin-plated product.

## Header (Side entry type)



No. of circuits	Keying	Model No.	Dimensions (mm)		Q'ty/box
			A	B	
4	—	SC04B-F35DK-GGR	5.08	12.16	152
12	—	SC12B-F35DK-GGR	25.40	32.48	56
20	—	SC20B-F35DK-GGR	45.72	52.80	32

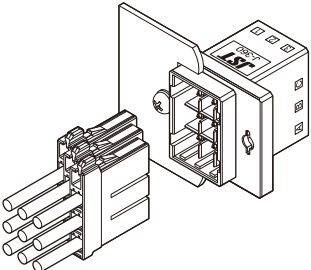
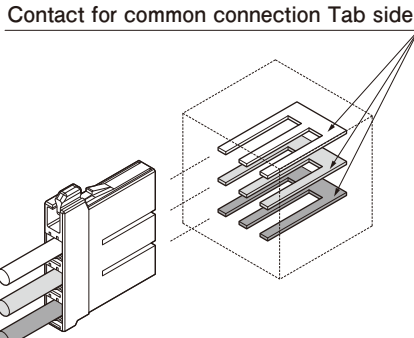
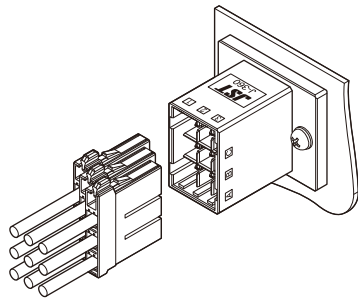
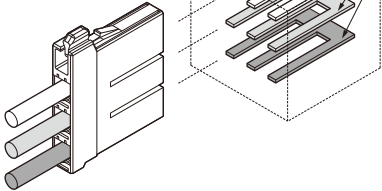
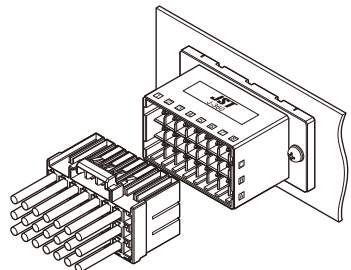
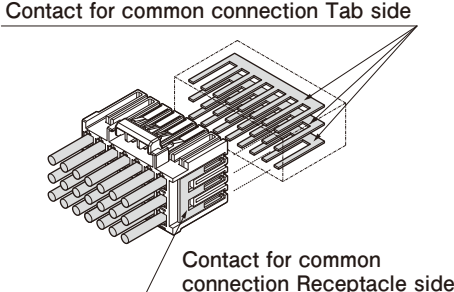
### Material and Finish

Tab contact: Copper alloy, nickel-undercoated, selective gold-plated  
Housing: Glass-filled PBT, UL94V-0, black  
Reinforcement: Copper alloy, nickel-undercoated, selective gold-plated

**RoHS2 compliance** This product displays (LF)(AU) on a label.  
Note: Contact JST about 0.76  $\mu\text{m}$  gold-plated product and tin-plated product.

# J300 SERIES COMMON TYPE/J360T

## Triple-row Common type (J360T)

Receptacle side	Tab side	Appearance	Circuit figure
Normal Receptacle housing	Contact for common connection Tab side (Panel mounting type)		 Contact for common connection Tab side
	Contact for common connection Tab side (Direct mounting type)		
Receptacle housing assembly with common connection	Contact for common connection Tab side (Direct mounting type)		 Contact for common connection Tab side Contact for common connection Receptacle side

- Rationalization of wiring is realized by the common connection inside the connector

## Specifications

- Current rating: AC/DC

Unit: A

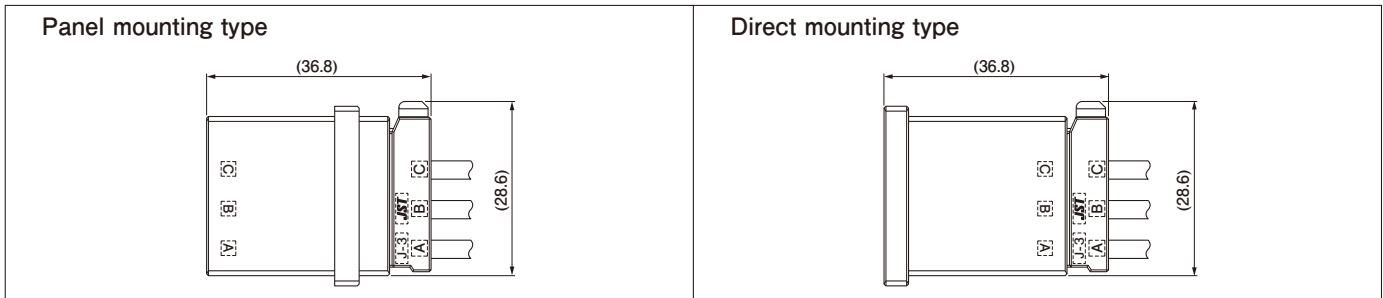
	Wire size (AWG)			
	#14	#16	#18	#20
Receptacle housing (Total input current on single-row)	12.0	10.5	8.5	6.5
Receptacle housing assembly with common connection (Total input current on all circuits)	15.0	13.5	11.5	9.5

- Voltage rating: 600 V AC/DC
- Temperature range: -55°C to +105°C  
(including temperature rise in applying electrical current)
- Contact resistance: Initial value/ 10 mΩ max.  
After environmental tests/ 20 mΩ max.
- Insulation resistance: 1,000 MΩ min.  
(When using receptacle housing)
- Withstanding voltage: 2,200 VAC/minute  
(When using receptacle housing)
- Applicable wire: AWG #28 to #14
- \* In using the products, refer to "Handling Precautions for Terminals and Connectors" described on our website (Technical documents of Product information page).
- \* Dimensional unit : mm
- \* RoHS2 Compliance
- \* Contact JST for details.



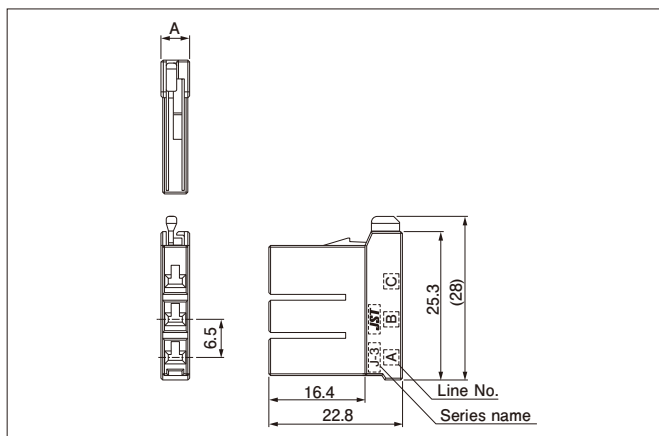
# J300 SERIES COMMON TYPE/J360T

## Assembly layout



\*When mating with receptacle housing (3-circuit)

## Receptacle housing



No. of circuits	Keying	Model No.	Dimensions (mm)	
			A	Q'ty/bag
3	-	F36FTC-03V-K	4.9	200
9	-	F36FTC-09V-K	15.0	-
18	-	F36FTC-18V-K	30.3	-
24	-	F36FTC-24V-K	41.2	60

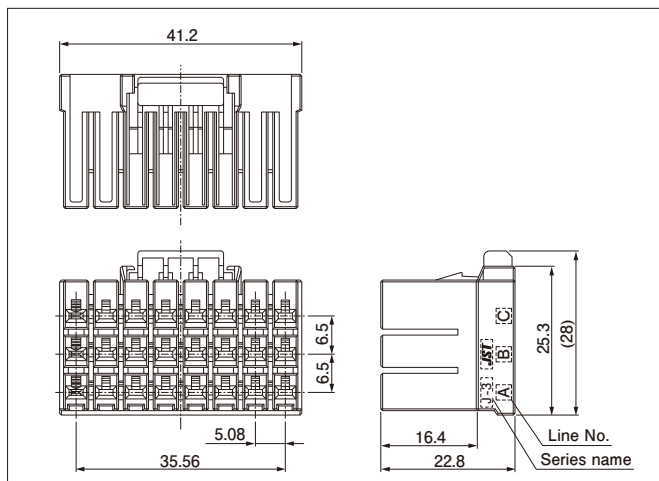
### Material and Finish

Glass-filled PBT, UL94V-0, black

### RoHS2 compliance

Note: 9, 18, and 24-circuit products are not approved by UL/TÜV standards.

## Receptacle housing assembly with common connection



No. of circuits	Model No.	Q'ty/bag
21	F36FTC-21(24-C8T)V-KC	60

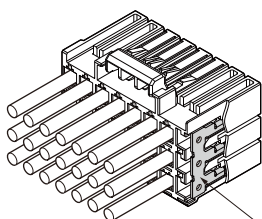
### Material and Finish

Contact for common connection: Copper alloy, nickel-undercoated, selective gold-plated  
Housing: Glass-filled PBT, UL94V-0, black

### RoHS2 compliance

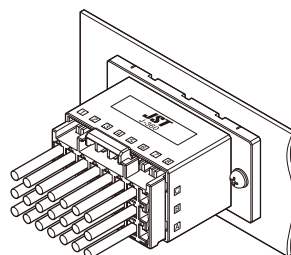
Note: 1. Contact JST about 0.76 μm gold-plated product.  
2. Unlisted in UL/TÜV.

### Cross-section of receptacle housing assembly with common connection



Inserted the contact for common connection to the right side of receptacle housing

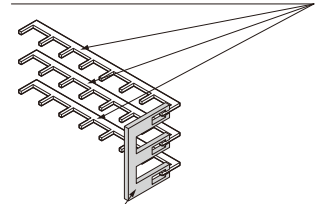
### Illustration when using



\* When mating with receptacle housing assembly with common connection

### Circuit figure when using

Contact for common connection Tab side

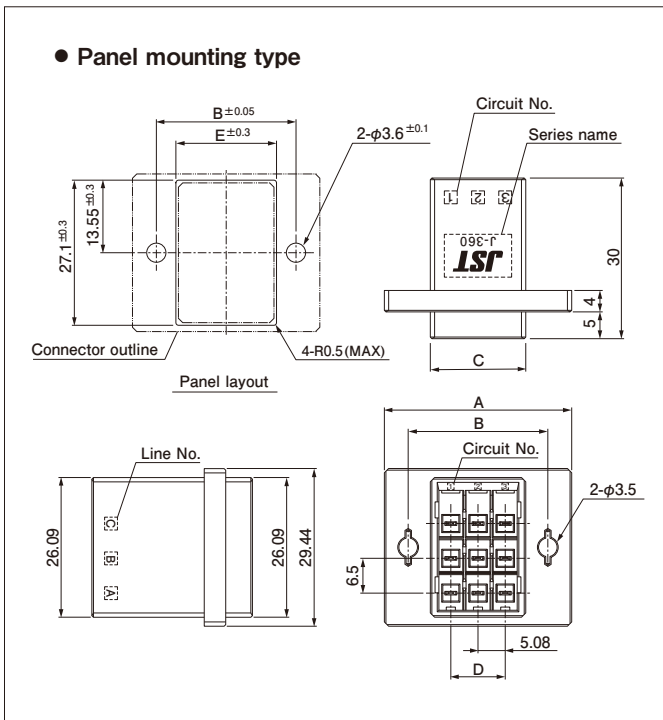


Contact for common connection Receptacle side

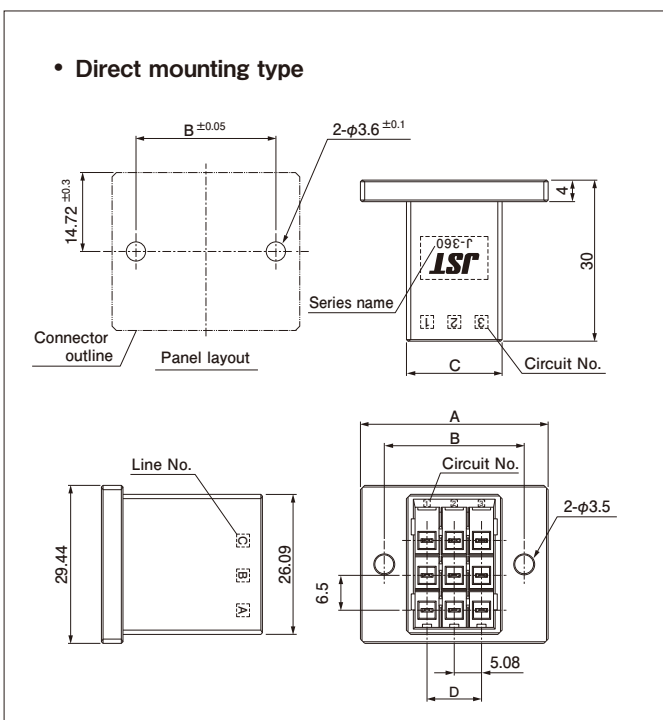
# J300 SERIES COMMON TYPE/J360T

## Common tab housing Assembly

### ● Panel mounting type



### ● Direct mounting type



No. of circuits	Keying	Model No.	Dimensions (mm)					Q'ty /box
			A	B	C	D	E	
9	—	P09B-F36TK-GFR	35.0	26.1	17.8	10.16	18.8	364
18	—	P18B-F36TK-GFR	50.2	41.3	33.1	25.40	34.1	224

#### Material and Finish

Tab contact: Copper alloy, nickel-undercoated, selective gold-plated  
Housing: Glass-filled PBT, UL94V-0, black

#### RoHS2 compliance

- Note:
1. Punch holes in the panel. Burrs must be removed.
  2. The strength of the panel must be considered when punching two or more holes.
  3. The connector must be inserted from the same side as the hole is punched.
  4. Contact JST about 0.76 μm gold-plated product and tin-plated product.
  5. Refer to the top page of J360T (Common type) for circuit figure.

No. of circuits	Keying	Model No.	Dimensions (mm)				Q'ty /box
			A	B	C	D	
9	—	P09B-F36TK-GFAR	35.0	26.1	17.8	10.16	364
18	—	P18B-F36TK-GFAR	50.2	41.3	33.1	25.40	224
24	—	P24B-F36TK-GFAR	60.4	51.5	43.2	35.56	168

#### Material and Finish

Tab contact: Copper alloy, nickel-undercoated, selective gold-plated  
Housing: Glass-filled PBT, UL94V-0, black

#### RoHS2 compliance

- Note:
1. Punch holes in the panel. Burrs must be removed.
  2. The strength of the panel must be considered when punching two or more holes.
  3. The connector must be inserted from the same side as the hole is punched.
  4. Contact JST about 0.76 μm gold-plated product and tin-plated product.
  5. The directions such as series names of 24-circuit product are different from 9 and 18-circuit products.
  6. 24-circuit product is not approved by UL standard.
  7. Refer to the top page of J360T (Common type) for circuit figure.

# JFA CONNECTOR/J300 SERIES

## Model number allocation

### Receptacle contact

**S F3 F - 41 GF - P 2.0**

Form: S...Strip form, B...Loose piece,  
L...Loose piece with curled barrels

Series name

Kind of terminal: F...Receptacle contact

Applicable wire: 002...AWG #28 ~ #24, 01...AWG #24 ~ #20,  
41...AWG #20 ~ #16, 71...AWG #16 ~ #14

Surface finish: GF...Nickel-undercoated, 0.38 μm selective gold-plated  
GFA...Nickel-undercoated, 0.38 μm selective gold-plated (A type)  
GI...Nickel-undercoated, 0.76 μm selective gold-plated  
GIA...Nickel-undercoated, 0.76 μm selective gold-plated (A type)  
T...Tin-plated (reflow treatment)

Material: P...Copper alloy

Terminal size

### Tab contact

**S F3 M - 41 GF - M 2.0 N**

Form: S...Strip form, B...Loose piece  
L...Loose piece with curled barrels

Series name

Kind of terminal: M...Tab contact

Applicable wire: 002...AWG #28 ~ #24, 01...AWG #24 ~ #20  
41...AWG #20 ~ #16, 71...AWG #16 ~ #14

Surface finish: GF...Nickel-undercoated, 0.3 μm selective gold-plated  
GI...Nickel-undercoated, 0.76 μm selective gold-plated  
T...Tin-plated (reflow treatment)

Material: M...Copper alloy

Terminal size

Sub model No.

### Receptacle housing

**F31 F S S - 03 V - K X**

Series name

Type of connector: F...Receptacle housing,  
FR...Receptacle housing  
Reverse type

Rows: S...Single-row, D...Dual-row with 5.08 mm line pitch  
M...Double-row with 7.62 mm line pitch  
T...Triple-row, F...Quadruple-row

Mounting arrangement: S...Side locking, C...Center locking,  
PA...Panel mounting type

No. of circuits: 1 ~ 6, 8 ~ 10, 12, 16, 18, 20, 24, 30, 40

Flammability: V...UL94V-0

Color indication: K...Black, S...White, E...Blue, M...Green

Keying: X...X-Keying, Y...Y-Keying, Z...Z-Keying, W...W-Keying, XX...XX-Keying,  
YY...YY-Keying, XY...XY-Keying, Blank...Without Keying No.  
E...Space (2 spaces) for Keying block

### Tab housing

**F31 M S F - 03 V - K X**

Series name

Type of connector: M...Tab housing,  
MR...Tab housing  
Reverse type

Rows: S...Single-row, D...Dual-row,  
T...Triple-row, F...Quadruple-row

Mounting arrangement: F...Free hanging, P...Panel mounting  
S...Side locking, PL...Panel mounting Housing lock

No. of circuits: 1 ~ 6, 8, 10, 12, 16, 20, 30, 40

Flammability: V...UL94V-0

Color indication: K...Black, S...White, E...Blue, M...Green

Keying: X...X-Keying, Y...Y-Keying, Z...Z-Keying, W...W-Keying, XX...XX-Keying,  
YY...YY-Keying, XY...XY-Keying, Blank...Without Keying No.

### Header

**B 05 B - F31 S K - GG X R**

PC board mounting direction:  
B...Top entry type  
S...Side entry type  
BC...Top & center locking  
SR...Side reverse  
SC...Side & center locking

No. of circuits: 2 ~ 6, 8 ~ 10, 12, 16, 20, 40

Product name: Header

Series name

Rows: S...Single-row  
D...Dual-row with 5.08 mm line pitch  
M...Dual-row with 7.62 mm line pitch  
T...Triple-row  
F...Quadruple-row

Color indication: K...Black, S...White, E...Blue

Surface finish: GG...Nickel-undercoated, 0.38 μm selective gold-plated  
GK...Nickel-undercoated, 0.76 μm selective gold-plated  
T...Tin-plated (reflow treatment)

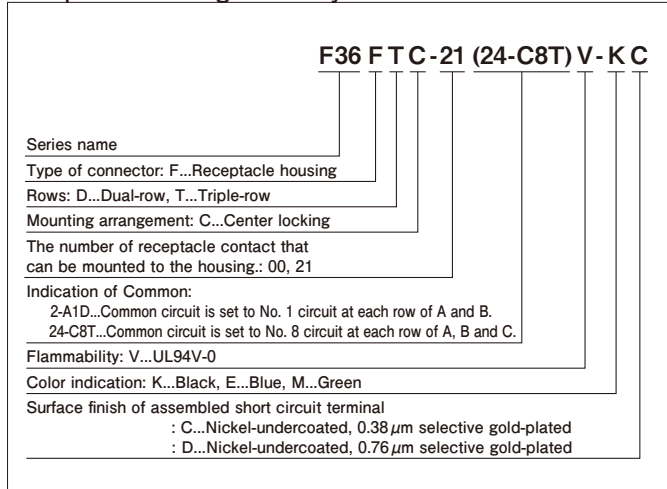
Keying: X...X-Keying, Y...Y-Keying, XX...XX-Keying, YY...YY-Keying,  
XY...XY-Keying, E...Space (2 spaces) for Keying block,  
XA...XXX-Keying, XB...XXY-Keying, XC...XYX-Keying,  
XD...YYX-Keying, Blank...Without Keying No.

Packaging form: R...Tray, M...Magazine stick

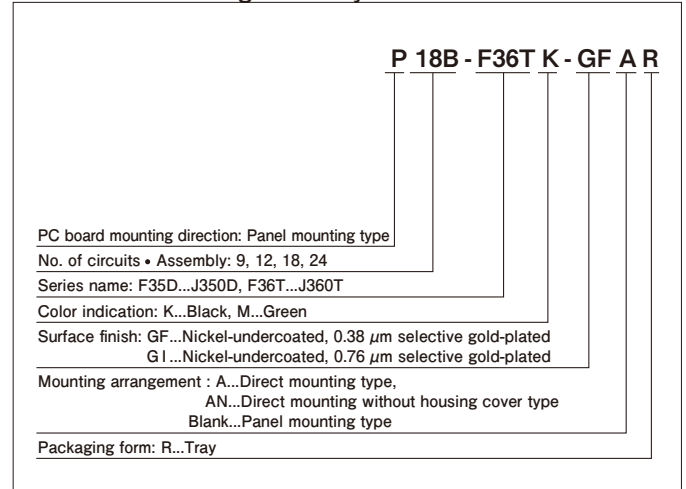
# JFA CONNECTOR/J300 SERIES

## Model number allocation

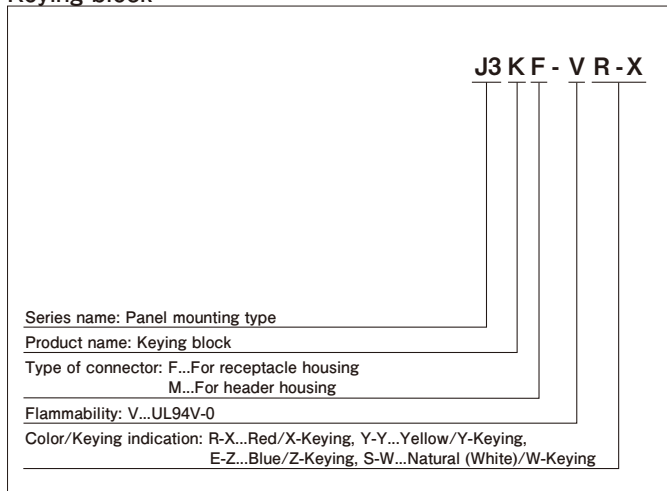
### Receptacle housing assembly



### Common tab housing assembly



### Keying block



## X-ON Electronics

Largest Supplier of Electrical and Electronic Components

*Click to view similar products for [Headers & Wire Housings](#) category:*

*Click to view products by [JST](#) manufacturer:*

Other Similar products are found below :

[0015917161](#) [0022155065](#) [57102-F02-18ULF](#) [58102-G61-06LF](#) [582553-1](#) [01.001.5753.1](#) [0050291907](#) [02.125.8002.8](#) [609-3404](#) [61062-3](#)  
[CSU011177004](#) [622-0430](#) [622-3653LF](#) [63453-116](#) [636-1030](#) [636-1427](#) [636-3427](#) [636-4007](#) [641938-9](#) [65495-038](#) [65692-001LF](#) [65781-018](#)  
[65781-047](#) [65817-010LF](#) [65817-015LF](#) [67095-007LF](#) [67601157](#) [68631-112](#) [68645-018](#) [699319-000](#) [70.362.1628.0](#) [70-4210](#) [70-4226B](#) [70-](#)  
[4853B](#) [71.350.2428.0](#) [733-134](#) [733-162](#) [MHR-64-VUAL](#) [80.063.4001.1](#) [800-90-001-10-001000](#) [801-43-002-10-013000](#) [801-43-006-10-](#)  
[002000](#) [803-43-024-10-001000](#) [803-93-012-10-001000](#) [8-1437020-4](#) [819-22-004-30-001101](#) [820-22-006-30-001101](#) [820-22-008-30-001101](#)  
[821-22-002-10-001101](#) [821-22-003-10-002101](#)