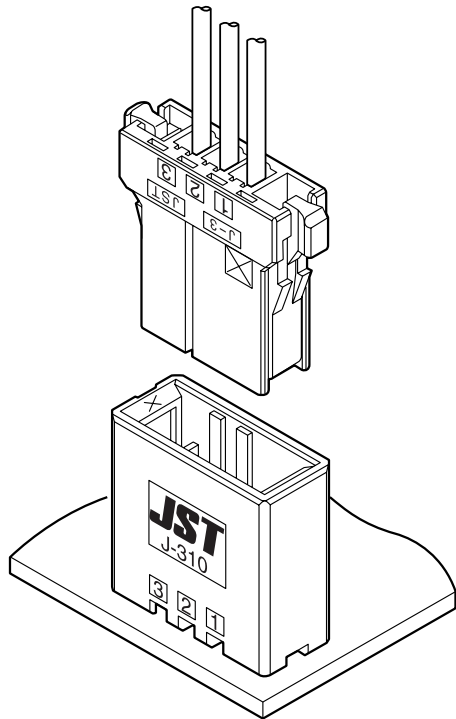


# JFA CONNECTOR J300 SERIES

3.81, 5.08, 5.4 mm pitch/Disconnectable Crimp style connectors(Wire-to-board/Wire-to-wire)



**Connectors for signal circuit or power supply circuit, applicable to the factory automation, heavy electric machinery, and other industrial equipment in general. In spite of the various kinds of housings available, their contacts are designed to be common. The applicable tooling can be standardized.**

- Double-spring construction
- Housing lances
- Clear click feeling

## Specifications

- Current rating: (AC, DC)

Unit: A

Circuits	Wire size (AWG)							
	#14	#16	#18	#20	#22	#24	#26	#28
1	15.0	14.0	11.5	9.5	8.0	6.5	5.75	4.75
2	13.5	13.5	11.25	9.25	7.5	6.25	5.5	4.5
3	12.25	12.25	10.5	8.5	7.0	5.75	5.0	4.1
4	11.25	11.25	10.0	8.0	6.5	5.5	4.75	4.0
5	10.5	10.5	9.5	7.5	6.25	5.25	4.5	4.0
6	9.75	9.75	9.0	7.0	6.0	5.0	4.25	3.75
8	9.0	9.0	8.25	6.5	5.5	4.5	3.75	3.25
9	8.5	8.5	8.0	6.25	5.25	4.5	3.75	3.25
10	8.5	8.5	8.0	6.25	5.25	4.5	3.75	3.25
12	8.25	8.25	7.75	6.0	5.0	4.0	3.5	3.0
16	8.0	8.0	7.5	6.0	4.75	4.0	3.5	3.0
20	8.0	8.0	7.25	6.0	4.5	4.0	3.5	2.75

- Voltage rating: J310/J340 series (3.81 mm pitch) 250 V AC, DC  
J320/J350 series (5.08 mm pitch) 600 V AC, DC  
J330 series (5.4 mm pitch) 600 V AC, DC
- Temperature range: -55°C to +105°C  
(including temperature rise in applying electrical current)
- Contact resistance: Initial value/ 5 mΩ max.  
After environmental tests/ 10 mΩ max.
- Insulation resistance: 1,000 MΩ min.
- Withstanding voltage:
  - J310/J340 series (3.81 mm pitch) 1,500 VAC/minute
  - J320/J350 series (5.08 mm pitch) 2,200 VAC/minute
  - J330 series (5.4 mm pitch) 2,200 VAC/minute
- Applicable wire: AWG #28 to #14
- Applicable PC board thickness: 1.6 to 2.4 mm
- \* Refer to the page of each product for the specifications of the common type (J350D, J360T).
- \* Refer to "General Instruction and Notice when using Terminals and Connectors" at the end of this catalog.
- \* Contact JST for details.
- \* Compliant with RoHS.

## Standards

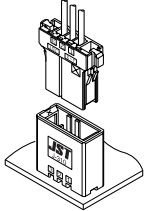
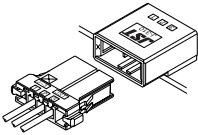
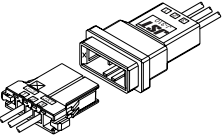
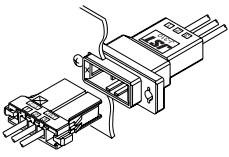

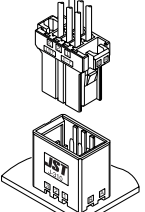
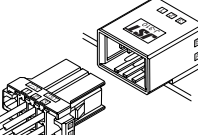
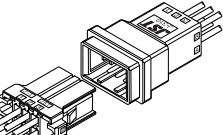
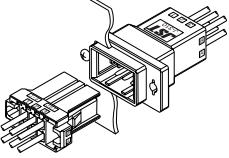
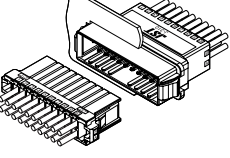
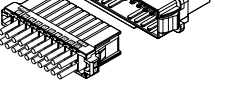
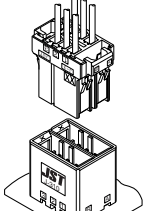
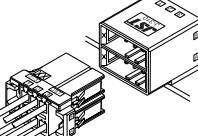
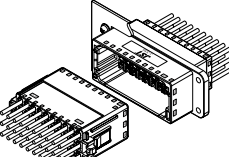
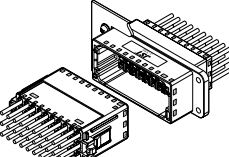

 Recognized E60389

 Certified LR20812

 R50133261

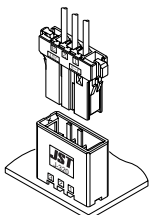
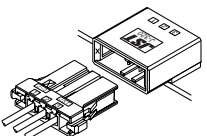
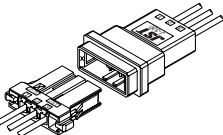
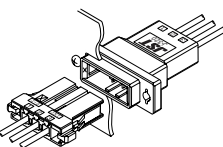
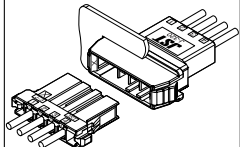
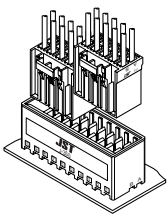
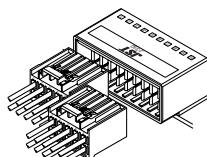
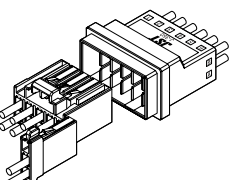
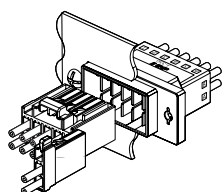
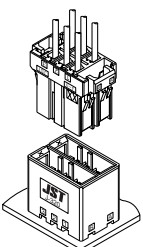
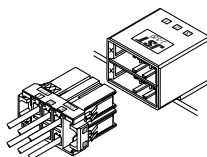
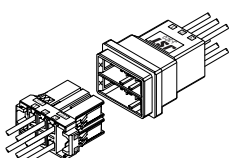
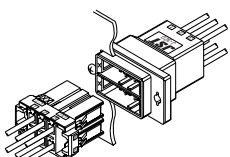
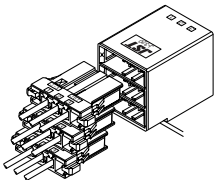
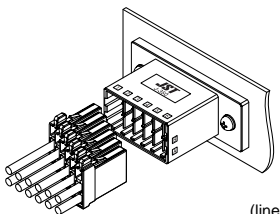
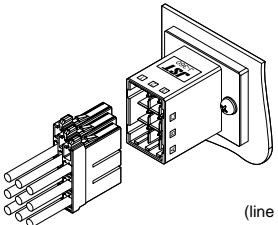
# JFA CONNECTOR/J300 SERIES

## List of J300 series products

Type	3.81 mm pitch / Voltage rating 250 V AC, DC				
	Wire-to-board		Wire-to-wire		
	Top entry type	Side entry type	Free hanging type	Panel mounting type	
<b>J310S</b> Single-row type				Screw type	Housing lock type
					
Circuits	3, 4, 5, 6, 8, 10	3, 4, 5, 6, 8, 10	3, 4, 5, 8, 10	3, 4, 5, 8, 10	
<b>J310D</b> Double-row type [line pitch 5.08 mm]					
					
Circuits	6, 8, 10, 12, 16, 20	6, 8, 10, 12, 16, 20	6, 8, 10, 12, 16, 20	6, 8, 10, 12, 16, 20	20
<b>J310M</b> Double-row module type [line pitch 7.62 mm]					
Circuits	6	6			
<b>J340F</b> Four-row type [line pitch 5.08 mm]					
Circuits		12, 20			
Type	5.4 mm pitch / Voltage rating 600 V AC, DC				
	Wire-to-board		Wire-to-wire		
	Top entry type	Side entry type	Free hanging type	Panel mounting type	
<b>J330</b> [line pitch 7.7 mm]				Screw type	Housing lock type
					
Circuits				30, 40	

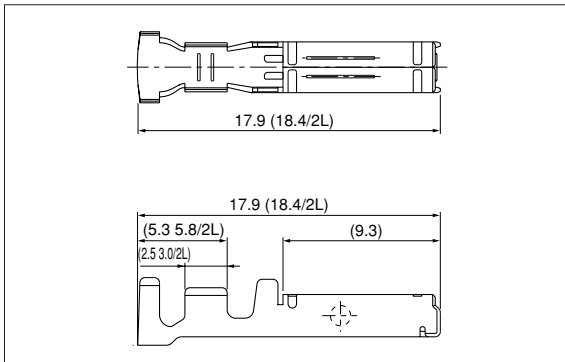
# JFA CONNECTOR/J300 SERIES

## List of J300 series products

Type	5.08 mm pitch / Voltage rating 600 V AC, DC				
	Wire-to-board		Wire-to-wire		
	Top entry type	Side entry type	Free hanging type	Panel mounting type	
<b>J320S</b> Single-row type				Screw type	Housing lock type
					
Circuits	2, 3, 4, 5, 6	2, 3, 4, 5, 6	1, 2, 3, 4	1, 2, 3, 4	4
<b>J350D</b> Double-row type [line pitch 5.08 mm]					
				Circuits	12, 20
<b>J320M</b> Double-row module type [line pitch 7.62 mm]					
				Circuits	6, 10, 12
<b>J320T</b> Triple-row module type [line pitch 7.62 mm]					
				Circuits	
Common type	Double-row common type (J350D)		Triple-row common type (J360T)		
	 (line pitch 5.08 mm)		 (line pitch 6.5 mm)		
Circuits	12		9, 18, 24		

# JFA CONNECTOR/J300 SERIES

## Receptacle contact



Model No.		Applicable wire			Insulation O.D. (mm)		Q'ty	
Strip contact	Loose piece	Size	mm <sup>2</sup>	AWG#	reel	Box(Loose piece)		
SF3F-002 (*) -P2.0	BF3F-002 (*) -P2.0	S	0.08~0.20	28~24	0.8~1.4	3,700	1,000	
SF3F-01 (*) -P2.0	BF3F-01 (*) -P2.0	M	0.20~0.50	24~20	1.2~2.6	3,700	1,000	
SF3F-41 (*) -P2.0	LF3F-41 (*) -P2.0	L	0.50~1.25	20~16	1.8~2.8	3,200	1,000	
SF3F-71 (*) -P2.0	BF3F-71 (*) -P2.0	2L	1.25~2.0	16~14	2.4~3.4	3,200	1,000	

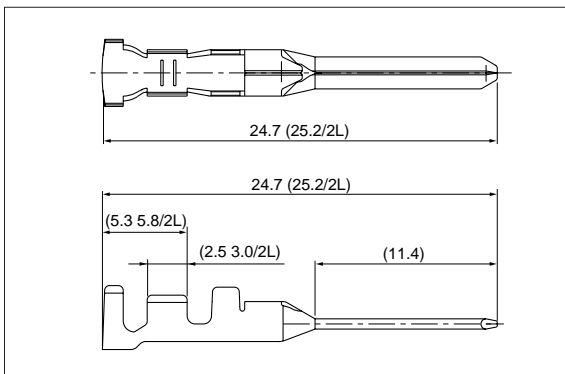
### Material and Finish

Copper alloy (superior conductivity), nickel-undercoated, selective gold-plated tin-plated (reflow treatment)

### RoHS compliance

Note: 1. Finish (\*): GF...Nickel-undercoated, 0.38 μm selective gold-plated  
 GI...Nickel-undercoated, 0.76 μm selective gold-plated  
 T.....Tin-plated (reflow treatment)

## Tab contact



Model No.		Applicable wire			Insulation O.D. (mm)		Q'ty	
Strip contact	Loose piece	Size	mm <sup>2</sup>	AWG#	reel	Box(Loose piece)		
SF3M-002 (*) -M2.0N	BF3M-002 (*) -M2.0N	S	0.08~0.20	28~24	0.8~1.4	3,500	1,000	
SF3M-01 (*) -M2.0N	BF3M-01 (*) -M2.0N	M	0.20~0.50	24~20	1.2~2.6	3,500	1,000	
SF3M-41 (*) -M2.0N	LF3M-41 (*) -M2.0N	L	0.50~1.25	20~16	1.8~2.8	3,300	1,000	
SF3M-71 (*) -M2.0N	BF3M-71 (*) -M2.0N	2L	1.25~2.0	16~14	2.4~3.4	3,200	1,000	

### Material and Finish

Copper alloy (superior conductivity), nickel-undercoated, selective gold-plated tin-plated (reflow treatment)

### RoHS compliance

Note: 1. Finish (\*): GF...Nickel-undercoated, 0.38 μm selective gold-plated  
 GI...Nickel-undercoated, 0.76 μm selective gold-plated  
 T.....Tin-plated (reflow treatment)

## Crimping machine, Applicator

Strip contact Model No.	Crimping machine	Applicator			Hand tools	
		Crimp applicator	Dies	Crimp applicator with dies		
SF3F-002 (*) -P2.0	AP-K2N	MKS-L	MK/SF3F/M-002-20	APLMK SF3F/M002-20	YRK-8821	
SF3M-002 (*) -M2.0N			MK/SF3F/M-01-20	APLMK SF3F/M01-20	YRK-8811	
SF3F-01 (*) -P2.0			MK/SF3F/M-41-20	APLMK SF3F/M41-20	YRK-8801	
SF3M-01 (*) -M2.0N			MK/SF3F/M-71-20	APLMK SF3F/M71-20	YRK-1071	
SF3F-41 (*) -P2.0						
SF3M-41 (*) -M2.0N						
SF3F-71 (*) -P2.0						
SF3M-71 (*) -M2.0N						

Note: Finish (\*): GF...Nickel-undercoated, 0.38 μm selective gold-plated  
 GI...Nickel-undercoated, 0.76 μm selective gold-plated  
 T.....Tin-plated

Loose piece	Hand tools
BF3F-002 (*) -P2.0	YRF-882
BF3M-002 (*) -M2.0N	
BF3F-01 (*) -P2.0	YRF-881
BF3M-01 (*) -M2.0N	
LF3F-41 (*) -P2.0	YRF-880
LF3M-41 (*) -M2.0N	
BF3F-71 (*) -P2.0	YRF-1070
BF3M-71 (*) -M2.0N	YRF-1071

Note: Finish (\*): GF...Nickel-undercoated, 0.38 μm selective gold-plated  
 GI...Nickel-undercoated, 0.76 μm selective gold-plated  
 T.....Tin-plated

- Extraction tool for J300 series: EJ-JFAJ3
- Refer to the page of crimping tools for details of YRK series hand crimping tools that uses a strip contact.

## Recognition mark

### Plating of the contact

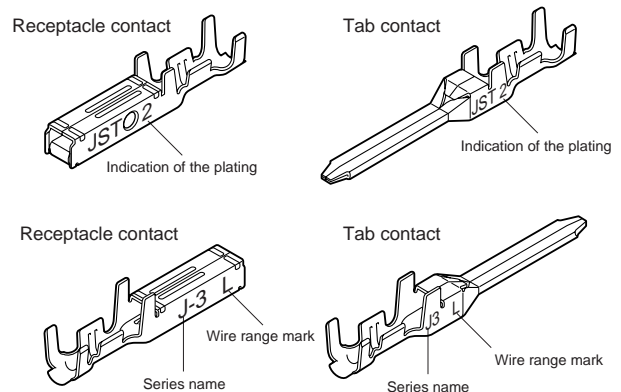
Each contact has a marking on its side so that the type or thickness of the plating is recognized.

- ex. 2 ... gold-plated 0.38 μm thickness  
 3 ... gold-plated 0.76 μm thickness  
 5 ... tin-plated

### Common marking on the contact and its application tools

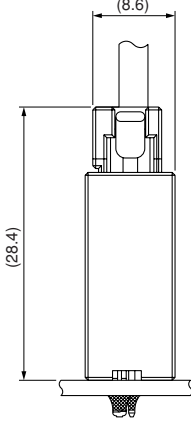
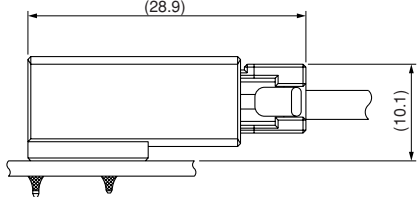
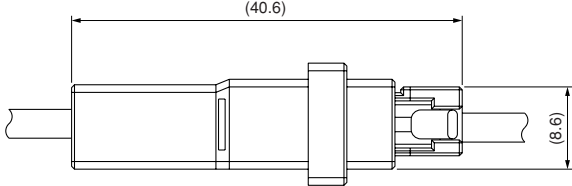
In order to avoid incorrect combination of the hand crimp tools or extraction tools and the contacts, the series name (for example J-3) and wire range mark (S, M, L, 2L) are shown on both the tools and the contacts.

- For example J-3 S..... AWG #28 ~ #24  
 M..... AWG #24 ~ #20  
 L..... AWG #20 ~ #16  
 2L... AWG #16 ~ #14

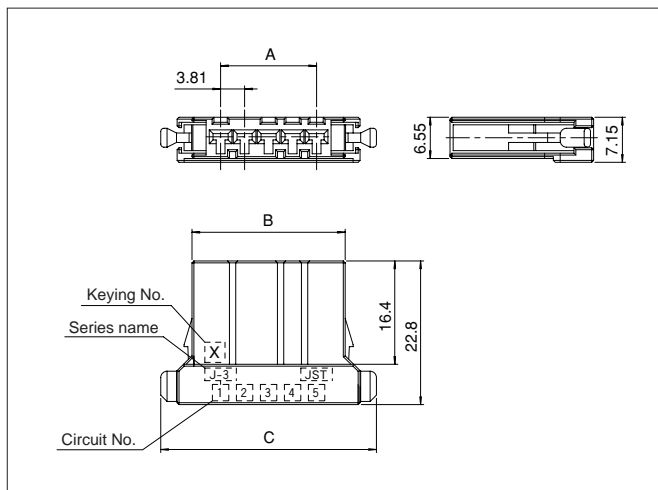


# J300 SERIES/J310S

## Assembly layout

Wire-to-board	<p>&lt;Top entry type&gt;</p> 	<p>&lt;Side entry type&gt;</p> 
Wire-to-wire	<p>&lt;Free hanging type / Panel mounting type&gt;</p> 	

## Receptacle housing



Circuits	Keying	Model No.	Dimensions (mm)			Q'ty /bag
			A	B	C	
3	X	<b>F31FSS-03V-KX</b>	7.62	16.70	26.62	200
	Y	<b>F31FSS-03V-KY</b>	7.62	16.70	26.62	200
4	X	<b>F31FSS-04V-KX</b>	11.43	20.51	30.43	200
	Y	<b>F31FSS-04V-KY</b>	11.43	20.51	30.43	200
5	X	<b>F31FSS-05V-KX</b>	15.24	24.32	34.24	200
	Y	<b>F31FSS-05V-KY</b>	15.24	24.32	34.24	200
6	X	<b>F31FSS-06V-KX</b>	19.05	28.13	38.05	200
	Y	<b>F31FSS-06V-KY</b>	19.05	28.13	38.05	200
8	X	<b>F31FSS-08V-KX</b>	26.67	35.75	45.67	100
	Y	<b>F31FSS-08V-KY</b>	26.67	35.75	45.67	100
10	X	<b>F31FSS-10V-KX</b>	34.29	43.37	53.29	100
	Y	<b>F31FSS-10V-KY</b>	34.29	43.37	53.29	100

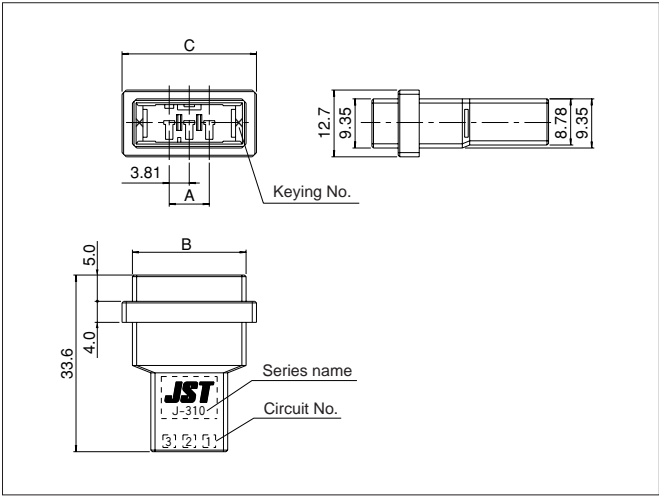
### Material

Glass-filled PBT, UL94V-0, black

RoHS compliance

# J300 SERIES/J310S

## Tab housing (Free hanging type)

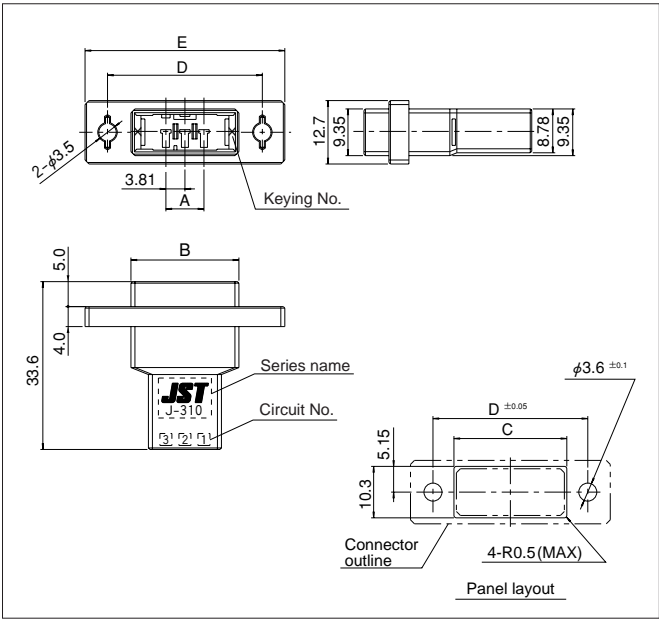


Circuits	Keying	Model No.	Dimensions (mm)			Q'ty /bag
			A	B	C	
3	X	F31MSF-03V-KX	7.62	21.62	25.57	200
	Y	F31MSF-03V-KY	7.62	21.62	25.57	200
4	X	F31MSF-04V-KX	11.43	25.43	29.38	—
	Y	F31MSF-04V-KY	11.43	25.43	29.38	—
5	X	F31MSF-05V-KX	15.24	29.24	33.19	200
	Y	F31MSF-05V-KY	15.24	29.24	33.19	200
8	X	F31MSF-08V-KX	26.67	40.67	44.62	100
	Y	F31MSF-08V-KY	26.67	40.67	44.62	100
10	X	F31MSF-10V-KX	34.29	48.29	52.24	100
	Y	F31MSF-10V-KY	34.29	48.29	52.24	100

**Material**  
Glass-filled PBT, UL94V-0, black

RoHS compliance

## Tab housing (Panel mounting type)



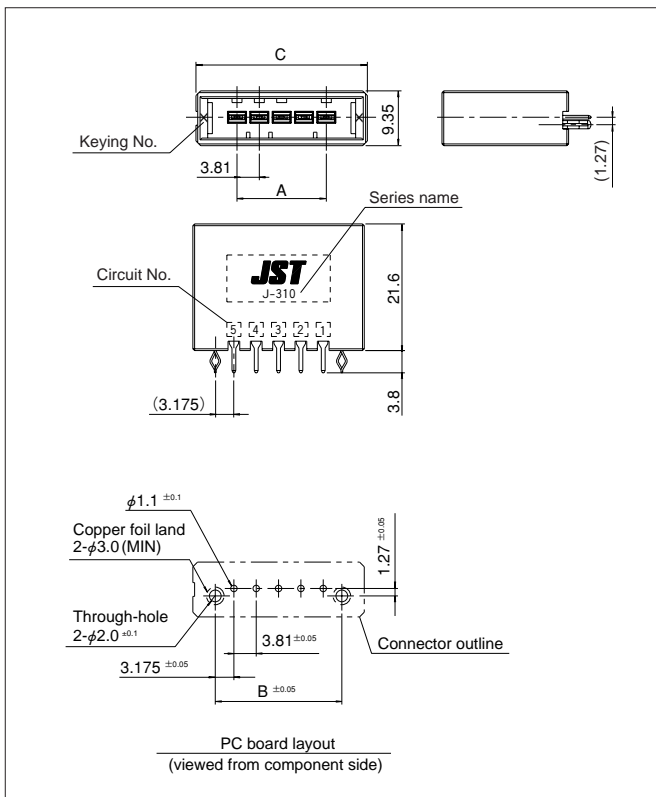
Circuits	Keying	Model No.	Dimensions (mm)					Q'ty /bag
			A	B	C	D	E	
3	X	F31MSP-03V-KX	7.62	21.62	22.60	31.00	40.00	200
	Y	F31MSP-03V-KY	7.62	21.62	22.60	31.00	40.00	200
4	X	F31MSP-04V-KX	11.43	25.43	26.40	34.50	43.50	—
	Y	F31MSP-04V-KY	11.43	25.43	26.40	34.50	43.50	—
5	X	F31MSP-05V-KX	15.24	29.24	30.20	38.00	47.00	200
	Y	F31MSP-05V-KY	15.24	29.24	30.20	38.00	47.00	200
8	X	F31MSP-08V-KX	26.67	40.67	41.60	50.00	59.00	100
	Y	F31MSP-08V-KY	26.67	40.67	41.60	50.00	59.00	100
10	X	F31MSP-10V-KX	34.29	48.29	49.20	58.00	67.00	100
	Y	F31MSP-10V-KY	34.29	48.29	49.20	58.00	67.00	100

**Material**  
Glass-filled PBT, UL94V-0, black

RoHS compliance

# J300 SERIES/J310S

## Header (Top entry type)



Circuits	Keying	Model No.	Dimensions (mm)			Q'ty/box
			A	B	C	
3	X	<b>B03B-F31SK-GGXR</b>	7.62	13.97	21.62	220
	Y	<b>B03B-F31SK-GGYR</b>	7.62	13.97	21.62	220
4	X	<b>B04B-F31SK-GGXR</b>	11.43	17.78	25.43	180
	Y	<b>B04B-F31SK-GGYR</b>	11.43	17.78	25.43	180
5	X	<b>B05B-F31SK-GGXR</b>	15.24	21.59	29.24	160
	Y	<b>B05B-F31SK-GGYR</b>	15.24	21.59	29.24	160
6	X	<b>B06B-F31SK-GGXR</b>	19.05	25.40	33.05	140
	Y	<b>B06B-F31SK-GGYR</b>	19.05	25.40	33.05	140
8	X	<b>B08B-F31SK-GGXR</b>	26.67	33.02	40.67	120
	Y	<b>B08B-F31SK-GGYR</b>	26.67	33.02	40.67	120
10	X	<b>B10B-F31SK-GGXR</b>	34.29	40.64	48.29	100
	Y	<b>B10B-F31SK-GGYR</b>	34.29	40.64	48.29	100

### Material and Finish

Tab contact: Copper alloy, nickel-undercoated, selective gold-plated

Housing: Glass-filled PBT, UL94V-0, black

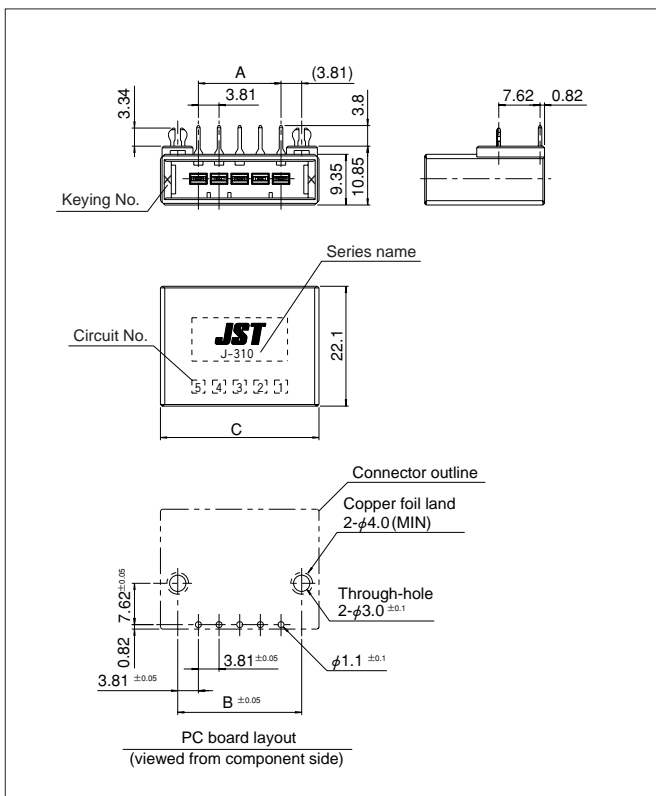
Reinforcing metal fixture: Copper alloy, nickel-undercoated, selective gold-plated

**RoHS compliance** This product displays (LF)(AU) on a label.

Note: 1. Contact JST about the headers supplied in magazine stick.

2. Contact JST about 0.76 μm gold-plated product and tin-plated product.

## Header (Side entry type)



Circuits	Keying	Model No.	Dimensions (mm)			Q'ty/box
			A	B	C	
3	X	<b>S03B-F31SK-GGXR</b>	7.62	15.24	21.62	165
	Y	<b>S03B-F31SK-GGYR</b>	7.62	15.24	21.62	165
4	X	<b>S04B-F31SK-GGXR</b>	11.43	19.05	25.43	135
	Y	<b>S04B-F31SK-GGYR</b>	11.43	19.05	25.43	135
5	X	<b>S05B-F31SK-GGXR</b>	15.24	22.86	29.24	120
	Y	<b>S05B-F31SK-GGYR</b>	15.24	22.86	29.24	120
6	X	<b>S06B-F31SK-GGXR</b>	19.05	26.67	33.05	105
	Y	<b>S06B-F31SK-GGYR</b>	19.05	26.67	33.05	105
8	X	<b>S08B-F31SK-GGXR</b>	26.67	34.29	40.67	90
	Y	<b>S08B-F31SK-GGYR</b>	26.67	34.29	40.67	90
10	X	<b>S10B-F31SK-GGXR</b>	34.29	41.91	48.29	75
	Y	<b>S10B-F31SK-GGYR</b>	34.29	41.91	48.29	75

### Material and Finish

Tab contact: Copper alloy, nickel-undercoated, selective gold-plated

Housing: Glass-filled PBT, UL94V-0, black

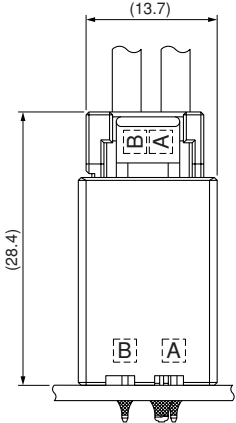
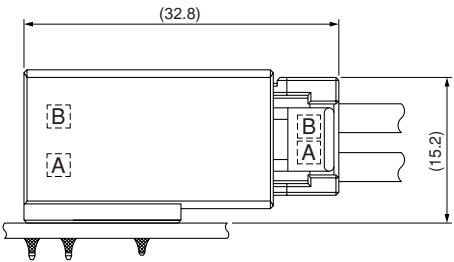
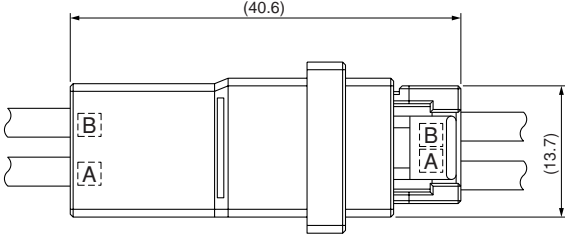
Reinforcing metal fixture: Copper alloy, nickel-undercoated, selective gold-plated

**RoHS compliance** This product displays (LF)(AU) on a label.

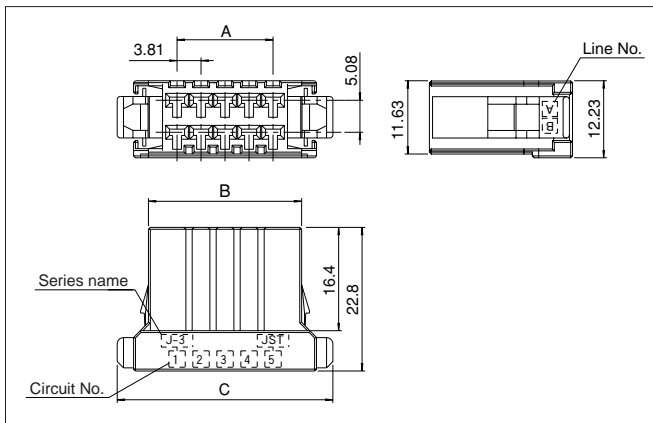
Note: 1. Contact JST about the headers supplied in magazine stick.

2. Contact JST about 0.76 μm gold-plated product and tin-plated product.

## Assembly layout

<p>Wire-to-board</p>	<p>&lt;Top entry type&gt;</p> 	<p>&lt;Side entry type&gt;</p> 
<p>Wire-to-wire</p>	<p>&lt;Free hanging type / Panel mounting type (Screw type, Housing lock type)&gt;</p> 	

## Receptacle housing



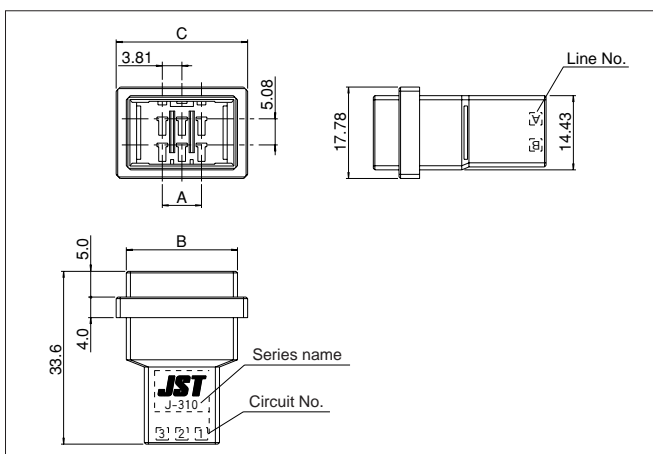
Circuits	Keying	Model No.	Dimensions (mm)			Q'ty/bag
			A	B	C	
6	—	<b>F31FDS-06V-K</b>	7.62	16.70	26.62	200
8	—	<b>F31FDS-08V-K</b>	11.43	20.51	30.43	100
10	—	<b>F31FDS-10V-K</b>	15.24	24.32	34.24	100
12	—	<b>F31FDS-12V-K</b>	19.05	28.13	38.05	100
16	—	<b>F31FDS-16V-K</b>	26.67	35.75	45.67	100
20	—	<b>F31FDS-20V-K</b>	34.29	43.37	53.29	100

### Material

Glass-filled PBT, UL94V-0, black

### RoHS compliance

## Tab housing (Free hanging type)



Circuits	Keying	Model No.	Dimensions (mm)			Q'ty/bag
			A	B	C	
6	—	<b>F31MDF-06V-K</b>	7.62	21.62	25.57	200
8	—	<b>F31MDF-08V-K</b>	11.43	25.43	29.38	100
10	—	<b>F31MDF-10V-K</b>	15.24	29.24	33.19	100
12	—	<b>F31MDF-12V-K</b>	19.05	33.05	37.00	100
16	—	<b>F31MDF-16V-K</b>	26.67	40.67	44.62	100
20	—	<b>F31MDF-20V-K</b>	34.29	48.29	52.24	100

### Material

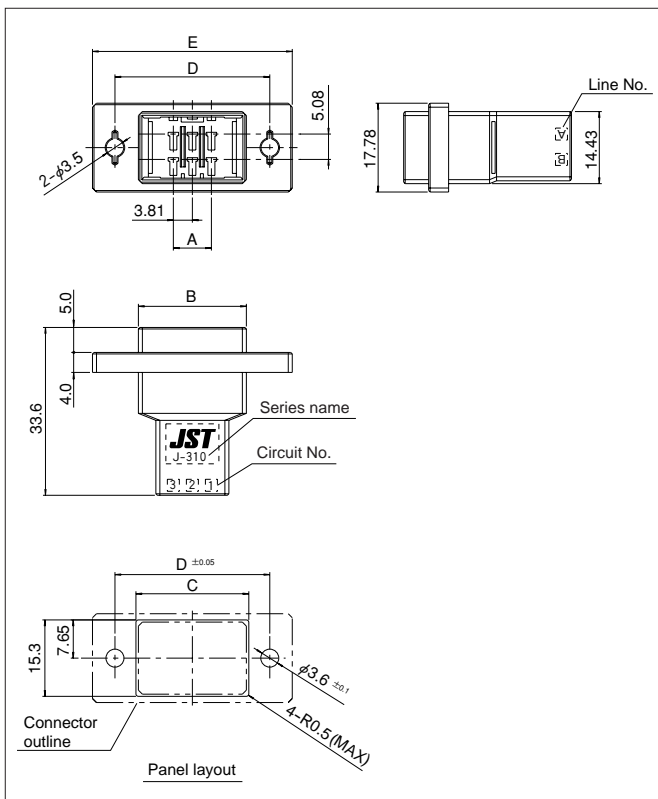
Glass-filled PBT, UL94V-0, black

### RoHS compliance



# J300 SERIES/J310D

## Tab housing (Panel mounting type)



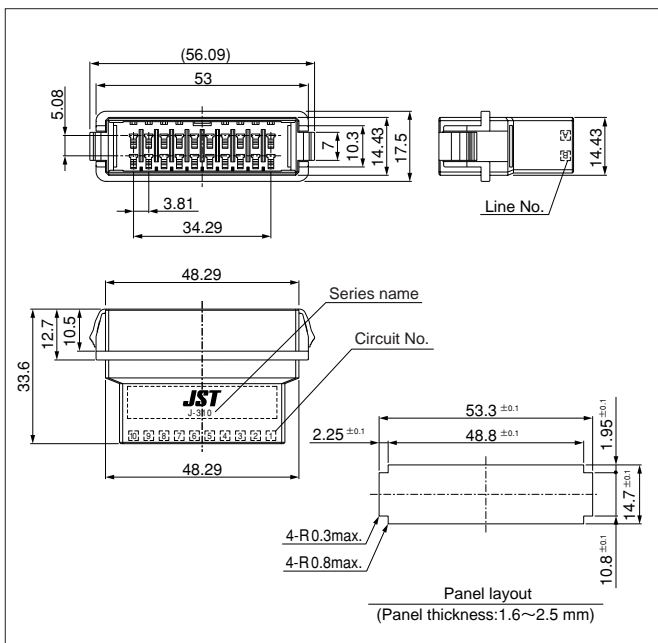
Circuits	Keying	Model No.	Dimensions (mm)					Q'ty /bag
			A	B	C	D	E	
6	—	<b>F31MDP-06V-K</b>	7.62	21.62	22.60	31.00	40.00	200
8	—	<b>F31MDP-08V-K</b>	11.43	25.43	26.40	34.50	43.50	100
10	—	<b>F31MDP-10V-K</b>	15.24	29.24	30.20	38.00	47.00	100
12	—	<b>F31MDP-12V-K</b>	19.05	33.05	34.00	42.00	51.00	100
16	—	<b>F31MDP-16V-K</b>	26.67	40.67	41.60	50.00	59.00	100
20	—	<b>F31MDP-20V-K</b>	34.29	48.29	49.20	58.00	67.00	100

### Material

Glass-filled PBT, UL94V-0, black

### RoHS compliance

## Tab housing (Panel mounting Housing lock type)



Circuits	Keying	Model No.	Q'ty/bag
20	—	<b>F31MDPL-20V-K</b>	80

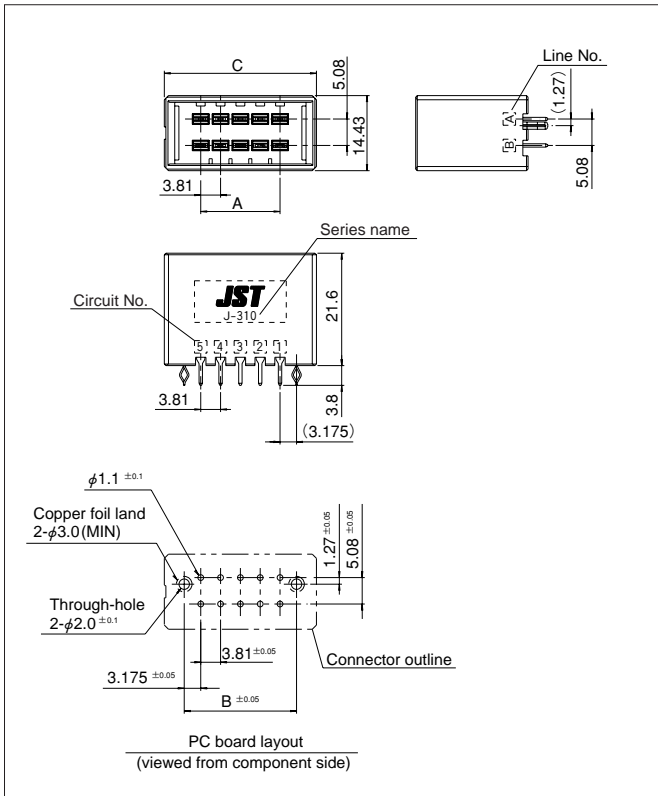
### Material

Glass-filled PBT, UL94V-0, black

### RoHS compliance

Note: Not CSA/UL/TÜV approved.

## Header (Top entry type)



Circuits	Keying	Model No.	Dimensions (mm)			Q'ty/box
			A	B	C	
6	—	<b>B06B-F31DK-GGR</b>	7.62	13.97	21.62	132
8	—	<b>B08B-F31DK-GGR</b>	11.43	17.78	25.43	108
10	—	<b>B10B-F31DK-GGR</b>	15.24	21.59	29.24	96
12	—	<b>B12B-F31DK-GGR</b>	19.05	25.40	33.05	84
16	—	<b>B16B-F31DK-GGR</b>	26.67	33.02	40.67	72
20	—	<b>B20B-F31DK-GGR</b>	34.29	40.64	48.29	60

### Material and Finish

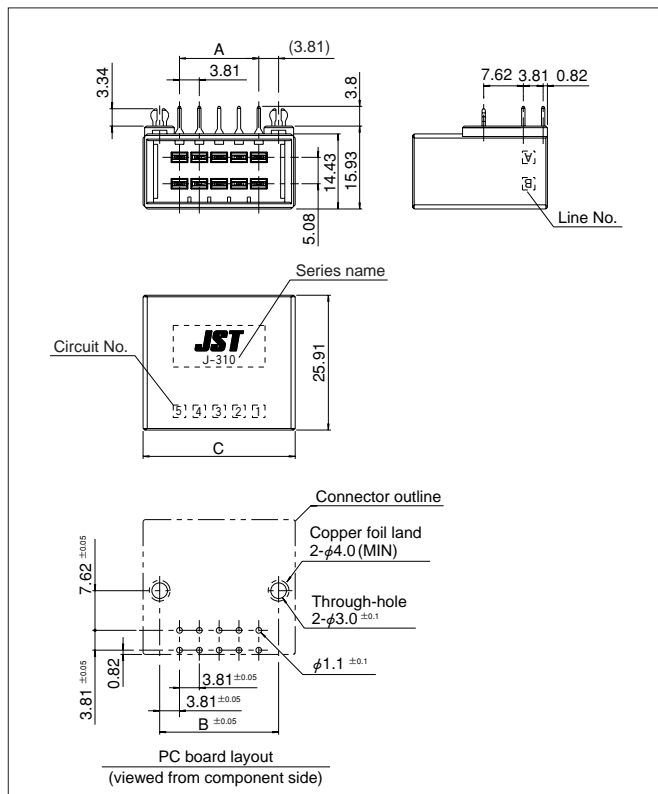
Tab contact: Copper alloy, nickel-undercoated, selective gold-plated  
Housing: Glass-filled PBT, UL94V-0, black  
Reinforcing metal fixture: Copper alloy, nickel-undercoated, selective gold-plated

**RoHS compliance** This product displays (LF)(AU) on a label.

Note: 1. Contact JST about the headers supplied in magazine stick.

2. Contact JST about 0.76 μm gold-plated product and tin-plated product.

## Header (Side entry type)



Circuits	Keying	Model No.	Dimensions (mm)			Q'ty/box
			A	B	C	
6	—	<b>S06B-F31DK-GGR</b>	7.62	15.24	21.62	88
8	—	<b>S08B-F31DK-GGR</b>	11.43	19.05	25.43	72
10	—	<b>S10B-F31DK-GGR</b>	15.24	22.86	29.24	64
12	—	<b>S12B-F31DK-GGR</b>	19.05	26.67	33.05	56
16	—	<b>S16B-F31DK-GGR</b>	26.67	34.29	40.67	48
20	—	<b>S20B-F31DK-GGR</b>	34.29	41.91	48.29	40

### Material and Finish

Tab contact: Copper alloy, nickel-undercoated, selective gold-plated  
Housing: Glass-filled PBT, UL94V-0, black  
Reinforcing metal fixture: Copper alloy, nickel-undercoated, selective gold-plated

**RoHS compliance** This product displays (LF)(AU) on a label.

Note: 1. Contact JST about the headers supplied in magazine stick.

2. Contact JST about 0.76 μm gold-plated product and tin-plated product.

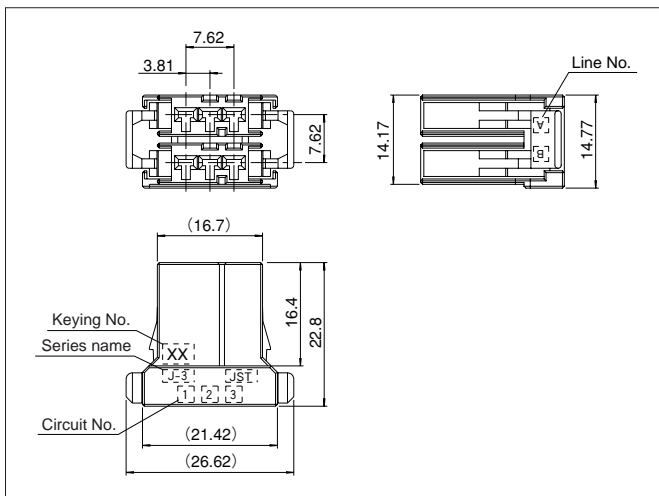
# J300 SERIES/J310M

## Assembly layout

		When mating with J310M receptacle	When mating with J310S receptacle modular
Wire-to-board	Top entry type		
	Side entry type		

# J300 SERIES/J310M

## Receptacle housing



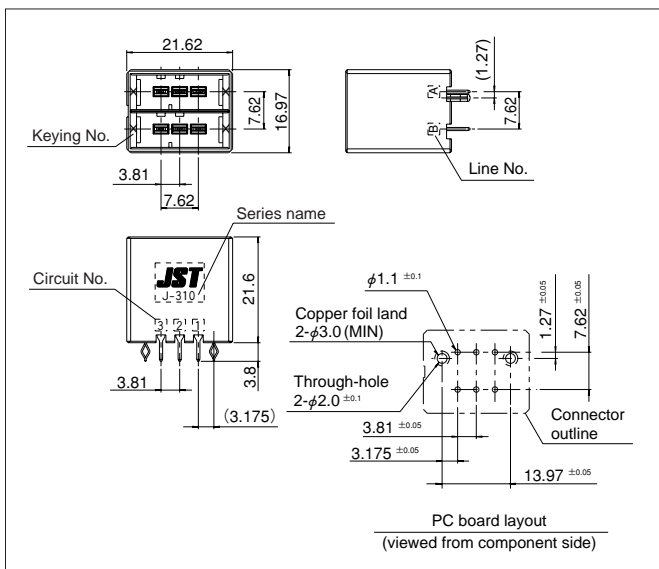
Circuits	Keying	Model No.	Q'ty/bag
6	XX	<b>F31FMS-06V-KXX</b>	100
	YY	<b>F31FMS-06V-KYY</b>	100
	XY	<b>F31FMS-06V-KXY</b>	100

### Material

Glass-filled PBT, UL94V-0, black

### RoHS compliance

## Header (Top entry type)



Circuits	Keying	Model No.	Q'ty/box
6	XX	<b>B06B-F31MK-GGXXR</b>	132
	YY	<b>B06B-F31MK-GGYR</b>	132
	XY	<b>B06B-F31MK-GGXYR</b>	132

### Material and Finish

Tab contact: Copper alloy, nickel-undercoated, selective gold-plated

Housing: Glass-filled PBT, UL94V-0, black

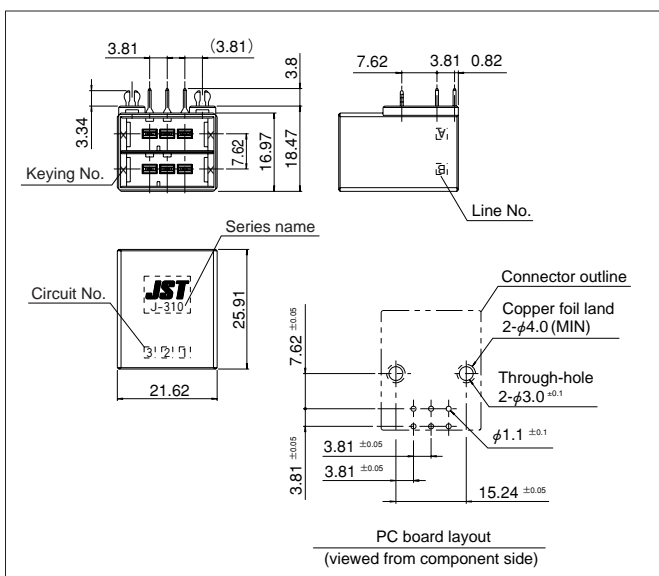
Reinforcing metal fixture: Copper alloy, nickel-undercoated, selective gold-plated

**RoHS compliance** This product displays (LF)(AU) on a label.

Note: 1. Contact JST about the headers supplied in magazine stick.

2. Contact JST about 0.76 μm gold-plated product and tin-plated product.

## Header (Side entry type)



Circuits	Keying	Model No.	Q'ty/box
6	XX	<b>S06B-F31MK-GGXXR</b>	88
	YY	<b>S06B-F31MK-GGYR</b>	88
	XY	<b>S06B-F31MK-GGXYR</b>	88

### Material and Finish

Tab contact: Copper alloy, nickel-undercoated, selective gold-plated

Housing: Glass-filled PBT, UL94V-0, black

Reinforcing metal fixture: Copper alloy, nickel-undercoated, selective gold-plated

**RoHS compliance** This product displays (LF)(AU) on a label.

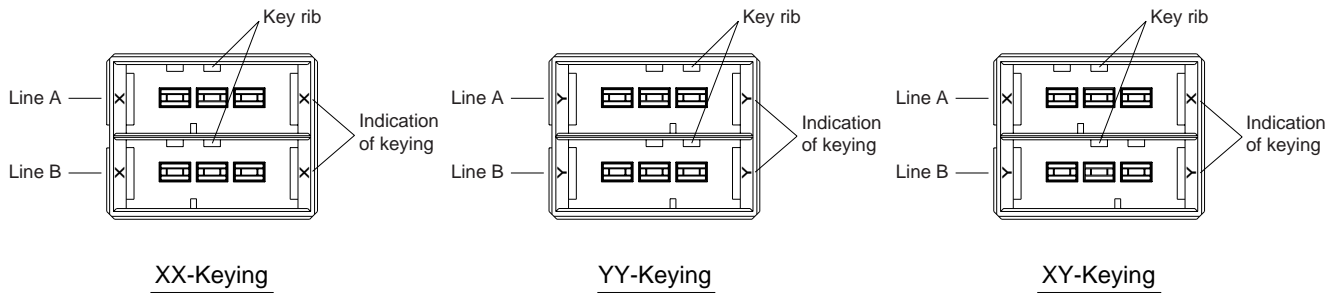
Note: 1. Contact JST about the headers supplied in magazine stick.

2. Contact JST about 0.76 μm gold-plated product and tin-plated product.

# J300 SERIES/J310M

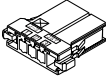
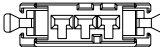
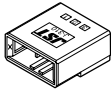
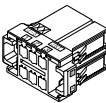
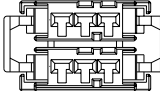
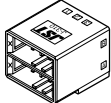
## Keying

J310M series have mis-insertion preventive keying.  
Available in 3 types – XX-Keying, YY-Keying and XY-Keying.  
(Headers viewed from the mating side are shown below.)

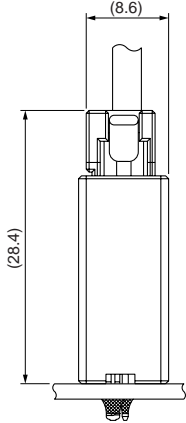
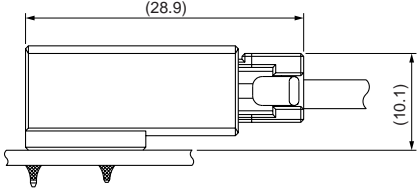
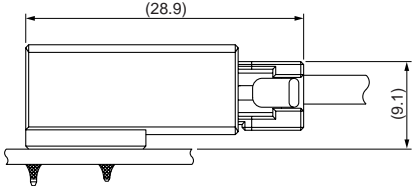
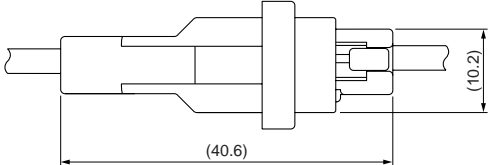
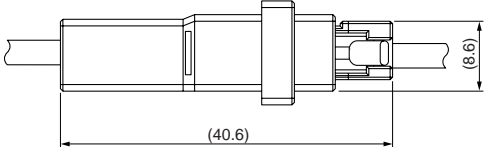


## List of combinations

With the combination of the J310M headers and the J310M/J310S (3 circuits) receptacle housings, the following modular combinations are possible.

Receptacle housing		Header			
		Top entry type		Side entry type	
Single-row 3 circuits (J310S) 	<u>X-Keying</u> F31FSS-03V-KX		<u>X-Keying</u> B03B-F31SK-GGX		<u>X-Keying</u> S03B-F31SK-GGX
	<u>Y-Keying</u> F31FSS-03V-KY		<u>Y-Keying</u> B03B-F31SK-GGY		<u>Y-Keying</u> S03B-F31SK-GGY
Double-row 6 circuits (J310M) 	<u>XX-Keying</u> F31FMS-06V-KXX		<u>XX-Keying</u> B06B-F31MK-GGX		<u>XX-Keying</u> S06B-F31MK-GGX
	<u>YY-Keying</u> F31FMS-06V-KYY		<u>YY-Keying</u> B06B-F31MK-GGY		<u>YY-Keying</u> S06B-F31MK-GGY
	<u>XY-Keying</u> F31FMS-06V-KXY		<u>XY-Keying</u> B06B-F31MK-GGY		<u>XY-Keying</u> S06B-F31MK-GGY

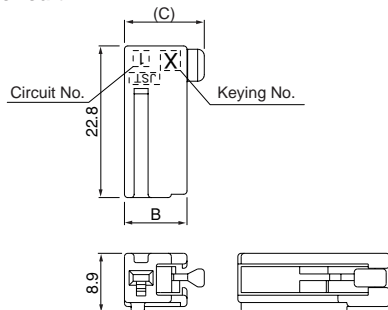
## Assembly layout

<p>Wire-to-board</p>	<p>&lt;Top entry type&gt;</p> 	<p>&lt;Side entry type&gt;</p> <ul style="list-style-type: none"> <li>• Normal type</li> </ul>  <ul style="list-style-type: none"> <li>• Reverse type</li> </ul> 
<p>Wire-to-wire</p>	<p>&lt;Free hanging type / Panel mounting type (Screw type, Housing lock type)&gt;</p> <ul style="list-style-type: none"> <li>• Single circuit</li> </ul> 	<ul style="list-style-type: none"> <li>• 2 to 4 circuits</li> </ul> 

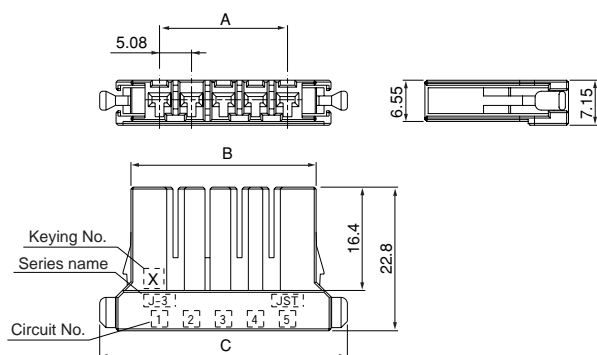
# J300 SERIES/J320S

## Receptacle housing

### • Single circuit



### • 2 to 6 circuits



Circuits	Keying	Model No.	Dimensions (mm)			Q'ty/bag
			A	B	C	
1	X	<b>F32FSS-01V-KX</b>	—	9.40	12.00	200
	Y	<b>F32FSS-01V-KY</b>	—	9.40	12.00	200
2	X	<b>F32FSS-02V-KX</b>	5.08	14.16	24.08	200
	Y	<b>F32FSS-02V-KY</b>	5.08	14.16	24.08	200
3	X	<b>F32FSS-03V-KX</b>	10.16	19.24	29.16	200
	Y	<b>F32FSS-03V-KY</b>	10.16	19.24	29.16	200
4	X	<b>F32FSS-04V-KX</b>	15.24	24.32	34.24	200
	Y	<b>F32FSS-04V-KY</b>	15.24	24.32	34.24	200
5	X	<b>F32FSS-05V-KX</b>	20.32	29.40	39.32	200
	Y	<b>F32FSS-05V-KY</b>	20.32	29.40	39.32	200
6	X	<b>F32FSS-06V-KX</b>	25.40	34.48	44.40	100
	Y	<b>F32FSS-06V-KY</b>	25.40	34.48	44.40	100

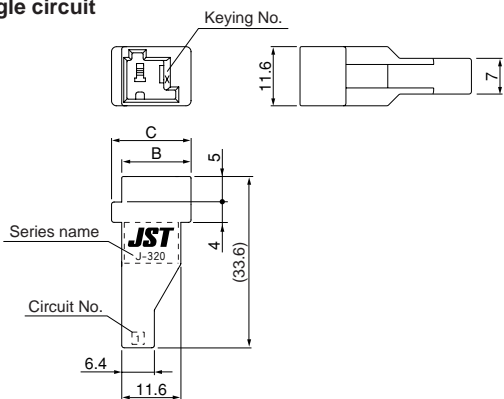
#### Material

Glass-filled PBT, UL94V-0, black

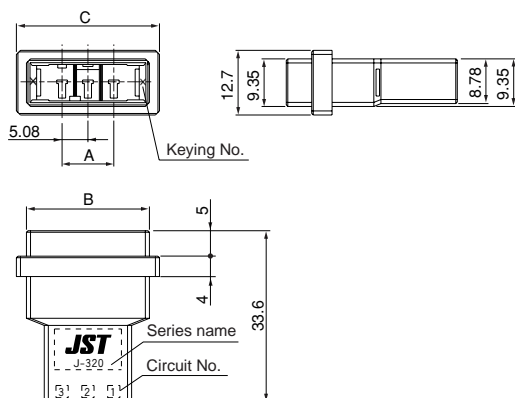
#### RoHS compliance

## Tab housing (Free hanging type)

### • Single circuit



### • 2 to 4 circuits



Circuits	Keying	Model No.	Dimensions (mm)			Q'ty/bag
			A	B	C	
1	X	<b>F32MSF-01V-KX</b>	—	13.60	15.60	150
	Y	<b>F32MSF-01V-KY</b>	—	13.60	15.60	150
2	X	<b>F32MSF-02V-KX</b>	5.08	19.08	23.03	200
	Y	<b>F32MSF-02V-KY</b>	5.08	19.08	23.03	200
3	X	<b>F32MSF-03V-KX</b>	10.16	24.16	28.11	200
	Y	<b>F32MSF-03V-KY</b>	10.16	24.16	28.11	200
4	X	<b>F32MSF-04V-KX</b>	15.24	29.24	33.19	200
	Y	<b>F32MSF-04V-KY</b>	15.24	29.24	33.19	200

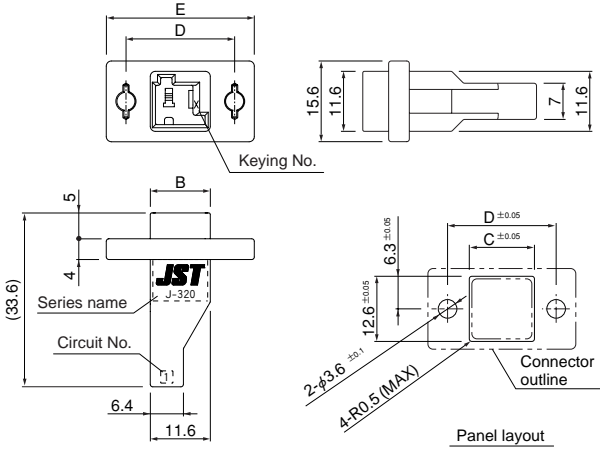
#### Material

Glass-filled PBT, UL94V-0, black

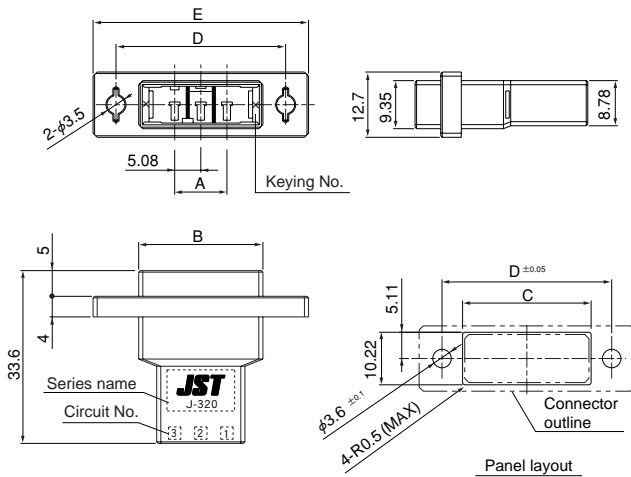
#### RoHS compliance

## Tab housing (Panel mounting type)

### • Single circuit



### • 2 to 4 circuits



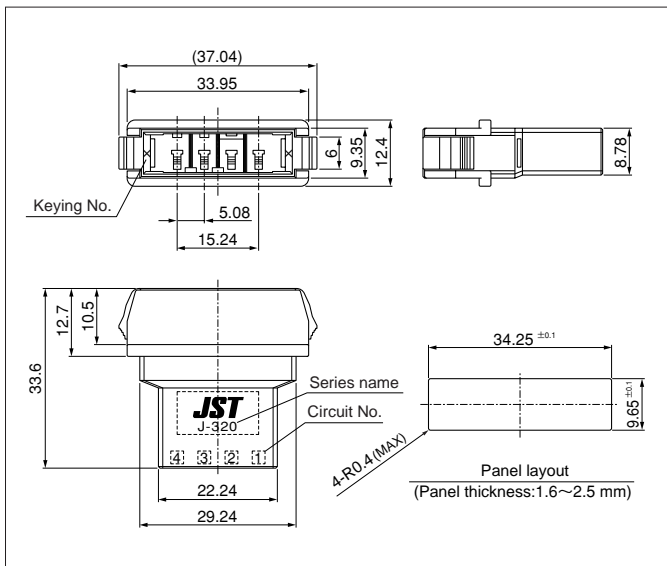
Circuits	Keying	Model No.	Dimensions (mm)					Q'ty /bag
			A	B	C	D	E	
1	X	F32MSP-01V-KX	—	11.60	12.60	21.00	28.60	150
	Y	F32MSP-01V-KY	—	11.60	12.60	21.00	28.60	150
2	X	F32MSP-02V-KX	5.08	19.08	20.00	28.00	36.83	200
	Y	F32MSP-02V-KY	5.08	19.08	20.00	28.00	36.83	200
3	X	F32MSP-03V-KX	10.16	24.16	25.00	33.00	41.91	200
	Y	F32MSP-03V-KY	10.16	24.16	25.00	33.00	41.91	200
4	X	F32MSP-04V-KX	15.24	29.24	30.00	38.00	46.99	200
	Y	F32MSP-04V-KY	15.24	29.24	30.00	38.00	46.99	200

#### Material

Glass-filled PBT, UL94V-0, black

#### RoHS compliance

## Tab housing (Panel mounting type Housing lock type)



Circuits	Keying	Model No.	Q'ty/bag
4	X	F32MSPL-04V-KX	90

#### Material

Glass-filled PBT, UL94V-0, black

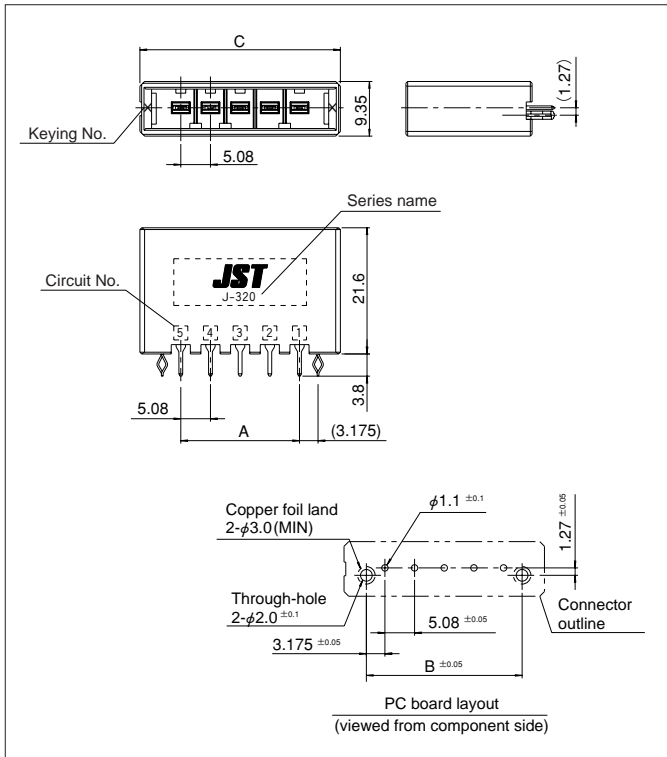
#### RoHS compliance

Note: Not CSA/UL/TÜV approved.



# J300 SERIES/J320S

## Header (Top entry type)



Circuits	Keying	Model No.	Dimensions (mm)			Q'ty/box
			A	B	C	
2	X	<b>B02B-F32SK-GGXR</b>	5.08	11.43	19.08	240
	Y	<b>B02B-F32SK-GGYR</b>	5.08	11.43	19.08	240
3	X	<b>B03B-F32SK-GGXR</b>	10.16	16.51	24.16	200
	Y	<b>B03B-F32SK-GGYR</b>	10.16	16.51	24.16	200
4	X	<b>B04B-F32SK-GGXR</b>	15.24	21.59	29.24	160
	Y	<b>B04B-F32SK-GGYR</b>	15.24	21.59	29.24	160
5	X	<b>B05B-F32SK-GGXR</b>	20.32	26.67	34.32	140
	Y	<b>B05B-F32SK-GGYR</b>	20.32	26.67	34.32	140
6	X	<b>B06B-F32SK-GGXR</b>	25.40	31.75	39.40	120
	Y	<b>B06B-F32SK-GGYR</b>	25.40	31.75	39.40	120

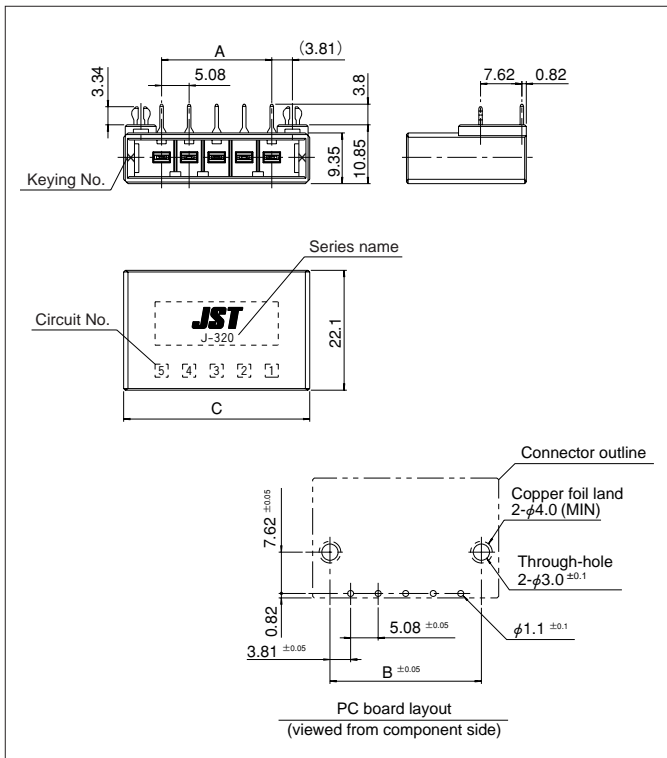
### Material and Finish

Tab contact: Copper alloy, nickel-undercoated, selective gold-plated  
Housing: Glass-filled PBT, UL94V-0, black  
Reinforcing metal fixture: Copper alloy, nickel-undercoated, selective gold-plated

**RoHS compliance** This product displays (LF)(AU) on a label.

Note: 1. Contact JST about the headers supplied in magazine stick.  
2. Contact JST about 0.76 μm gold-plated product and tin-plated product.

## Header (Side entry type)



Circuits	Keying	Model No.	Dimensions (mm)			Q'ty/box
			A	B	C	
2	X	<b>S02B-F32SK-GGXR</b>	5.08	12.70	19.08	180
	Y	<b>S02B-F32SK-GGYR</b>	5.08	12.70	19.08	180
3	X	<b>S03B-F32SK-GGXR</b>	10.16	17.78	24.16	150
	Y	<b>S03B-F32SK-GGYR</b>	10.16	17.78	24.16	150
4	X	<b>S04B-F32SK-GGXR</b>	15.24	22.86	29.24	120
	Y	<b>S04B-F32SK-GGYR</b>	15.24	22.86	29.24	120
5	X	<b>S05B-F32SK-GGXR</b>	20.32	27.94	34.32	105
	Y	<b>S05B-F32SK-GGYR</b>	20.32	27.94	34.32	105
6	X	<b>S06B-F32SK-GGXR</b>	25.40	33.02	39.40	90
	Y	<b>S06B-F32SK-GGYR</b>	25.40	33.02	39.40	90

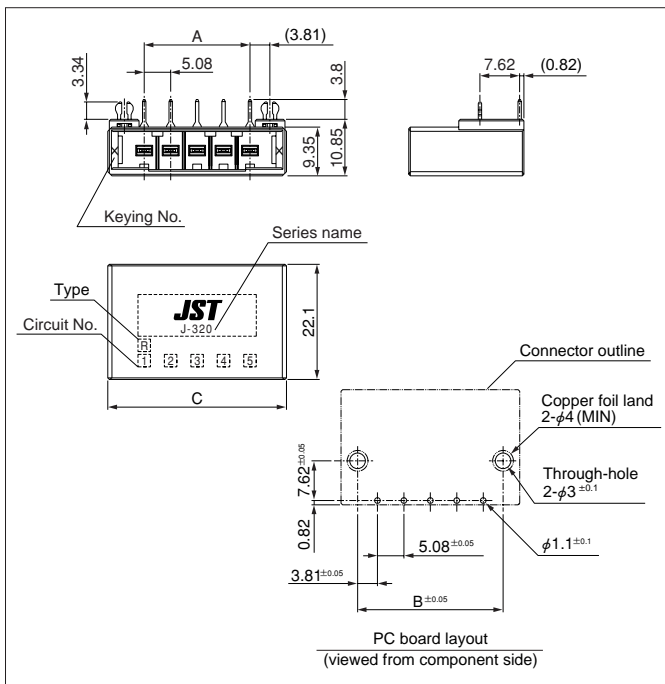
### Material and Finish

Tab contact: Copper alloy, nickel-undercoated, selective gold-plated  
Housing: Glass-filled PBT, UL94V-0, black  
Reinforcing metal fixture: Copper alloy, nickel-undercoated, selective gold-plated

**RoHS compliance** This product displays (LF)(AU) on a label.

Note: 1. Contact JST about the headers supplied in magazine stick.  
2. Contact JST about 0.76 μm gold-plated product and tin-plated product.

## Header (Side entry type Reverse type)



Circuits	Keying	Model No.	Dimensions (mm)			Q'ty /box
			A	B	C	
5	X	SR05B-F32SK-GGXR	20.32	27.94	34.32	105
6	X	SR06B-F32SK-GGXR	25.40	33.02	39.40	90

### Material and Finish

Tab contact: Copper alloy, nickel-undercoated, selective gold-plated

Housing: Glass-filled PBT, UL94V-0, black

Reinforcing metal fixture: Copper alloy, nickel-undercoated, selective gold-plated

**RoHS compliance** This product displays (LF)(AU) on a label.

Note: 1. Contact JST about the headers supplied in magazine stick.

2. Contact JST about 0.76 μm gold-plated product and tin-plated product.

3. Not TÜV approved.

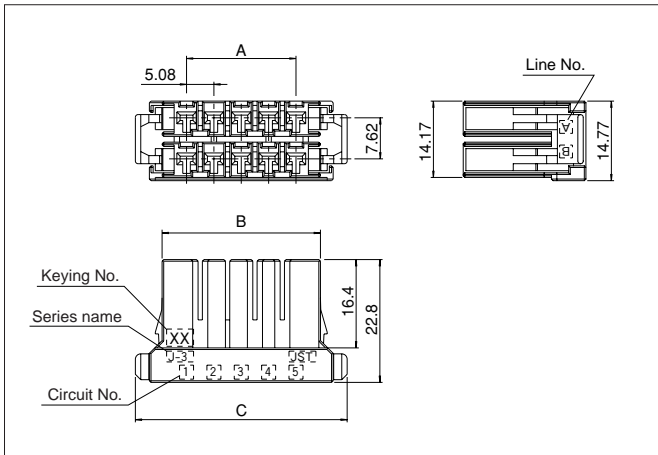
# J300 SERIES/J320M

## Assembly layout

		When mating with J320M receptacle	When mating with J320S receptacle modular
Wire-to-board	Top entry type		
	Side entry type		
Wire-to-wire	Free hanging type / Panel mounting type		

# J300 SERIES/J320M

## Receptacle housing



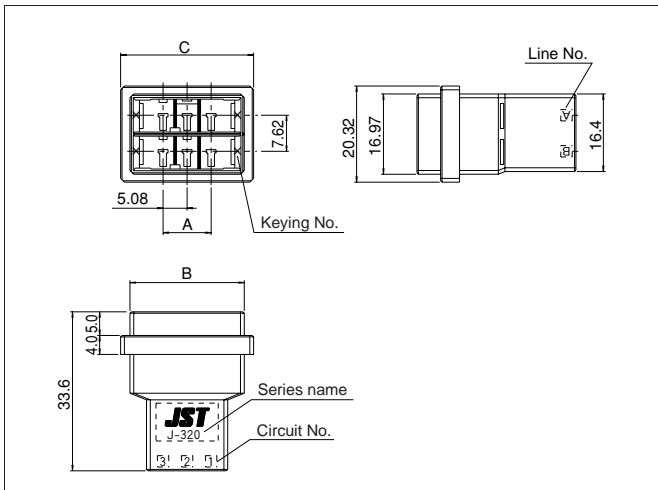
Circuits	Keying	Model No.	Dimensions (mm)			Q'ty /bag
			A	B	C	
6	XX	F32FMS-06V-KXX	10.16	19.24	29.16	100
	YY	F32FMS-06V-KYY	10.16	19.24	29.16	100
	XY	F32FMS-06V-KXY	10.16	19.24	29.16	100
10	XX	F32FMS-10V-KXX	20.32	29.40	39.32	100
	YY	F32FMS-10V-KYY	20.32	29.40	39.32	100
	XY	F32FMS-10V-KXY	20.32	29.40	39.32	100
12	XX	F32FMS-12V-KXX	25.40	34.48	44.40	100
	YY	F32FMS-12V-KYY	25.40	34.48	44.40	100
	XY	F32FMS-12V-KXY	25.40	34.48	44.40	100
20	XX	F32FMS-20V-KXX	45.72	54.80	64.72	84(box)

### Material

Glass-filled PBT, UL94V-0, black

RoHS compliance

## Tab housing (Free hanging type)



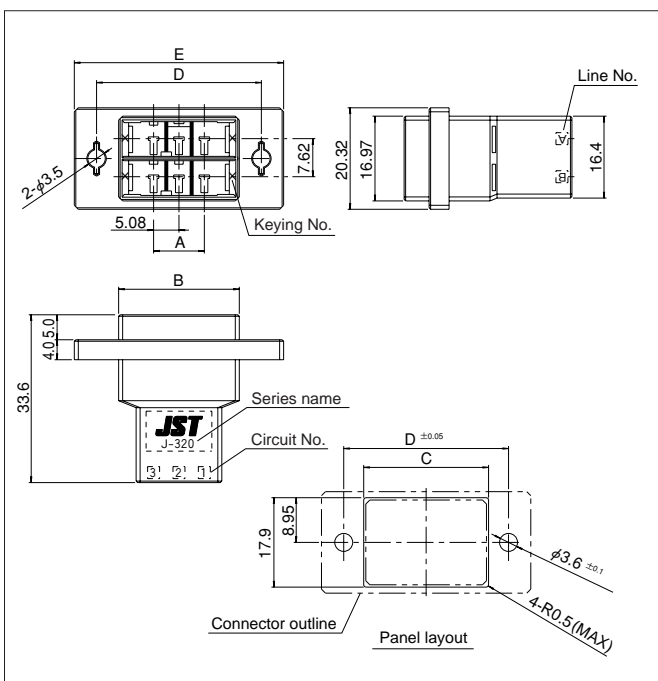
Circuits	Keying	Model No.	Dimensions (mm)			Q'ty /bag
			A	B	C	
6	XX	F32MDF-06V-KXX	10.16	24.16	28.11	100
	YY	F32MDF-06V-KYY	10.16	24.16	28.11	100
	XY	F32MDF-06V-KXY	10.16	24.16	28.11	100
12	XX	F32MDF-12V-KXX	25.40	39.40	43.35	100
	YY	F32MDF-12V-KYY	25.40	39.40	43.35	100
	XY	F32MDF-12V-KXY	25.40	39.40	43.35	100

### Material

Glass-filled PBT, UL94V-0, black

RoHS compliance

## Tab housing (Panel mounting type)



Circuits	Keying	Model No.	Dimensions (mm)					Q'ty /bag
			A	B	C	D	E	
6	XX	F32MDP-06V-KXX	10.16	24.16	25.00	33.00	41.91	100
	YY	F32MDP-06V-KYY	10.16	24.16	25.00	33.00	41.91	100
	XY	F32MDP-06V-KXY	10.16	24.16	25.00	33.00	41.91	100
12	XX	F32MDP-12V-KXX	25.40	39.40	41.00	49.00	57.91	100
	YY	F32MDP-12V-KYY	25.40	39.40	41.00	49.00	57.91	100
	XY	F32MDP-12V-KXY	25.40	39.40	41.00	49.00	57.91	100
20	XX	F32MDP-20V-KXX	45.72	59.72	61.00	70.00	78.23	42(box)

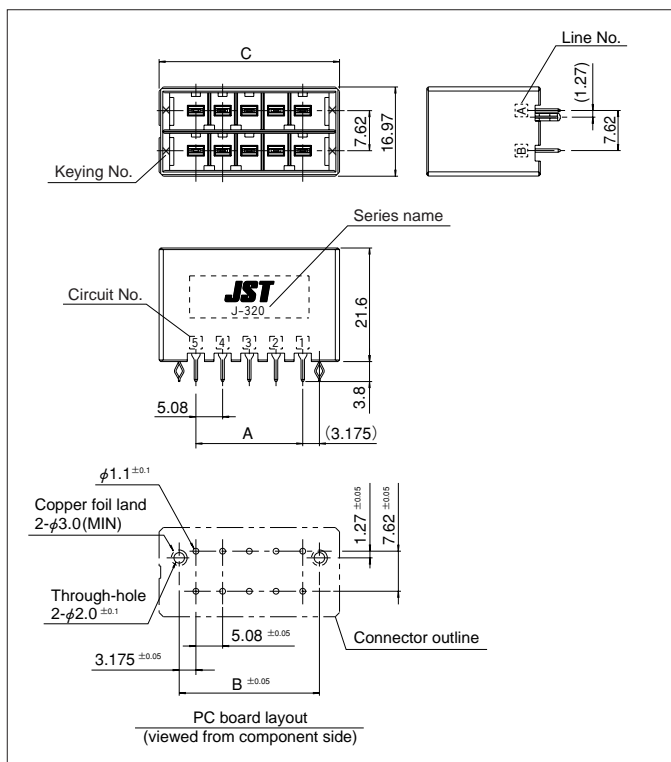
### Material

Glass-filled PBT, UL94V-0, black

RoHS compliance

# J300 SERIES/J320M

## Header (Top entry type)



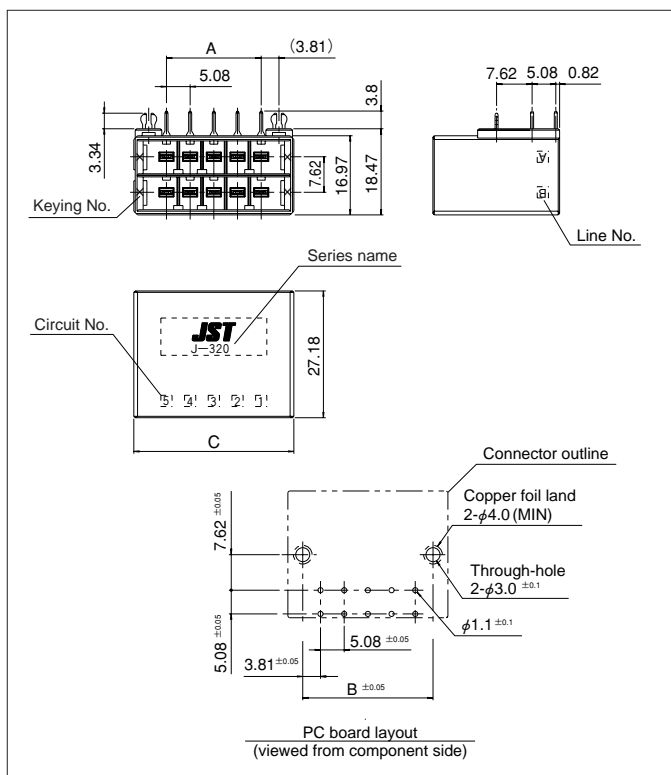
Circuits	Keying	Model No.	Dimensions (mm)			Q'ty /box
			A	B	C	
6	XX	B06B-F32MK-GGXXR	10.16	16.51	24.16	120
	YY	B06B-F32MK-GGYR	10.16	16.51	24.16	120
	XY	B06B-F32MK-GGXJR	10.16	16.51	24.16	120
10	XX	B10B-F32MK-GGXXR	20.32	26.67	34.32	84
	YY	B10B-F32MK-GGYR	20.32	26.67	34.32	84
	XY	B10B-F32MK-GGXJR	20.32	26.67	34.32	84
12	XX	B12B-F32MK-GGXXR	25.40	31.75	39.40	72
	YY	B12B-F32MK-GGYR	25.40	31.75	39.40	72
	XY	B12B-F32MK-GGXJR	25.40	31.75	39.40	72

### Material and Finish

Tab contact: Copper alloy, nickel-undercoated, selective gold-plated  
Housing: Glass-filled PBT, UL94V-0, black  
Reinforcing metal fixture: Copper alloy, nickel-undercoated, selective gold-plated

**RoHS compliance** This product displays (LF)(AU) on a label.  
Note: 1. Contact JST about the headers supplied in magazine stick.  
2. Contact JST about 0.76 μm gold-plated product and tin-plated product.

## Header (Side entry type)



Circuits	Keying	Model No.	Dimensions (mm)			Q'ty /box
			A	B	C	
6	XX	S06B-F32MK-GGXXR	10.16	17.78	24.16	80
	YY	S06B-F32MK-GGYR	10.16	17.78	24.16	80
	XY	S06B-F32MK-GGXJR	10.16	17.78	24.16	80
8	XY	S08B-F32MK-GGXJR	15.24	22.86	29.24	64
10	XX	S10B-F32MK-GGXXR	20.32	27.94	34.32	56
	YY	S10B-F32MK-GGYR	20.32	27.94	34.32	56
	XY	S10B-F32MK-GGXJR	20.32	27.94	34.32	56
12	XX	S12B-F32MK-GGXXR	25.40	33.02	39.40	48
	YY	S12B-F32MK-GGYR	25.40	33.02	39.40	48
	XY	S12B-F32MK-GGXJR	25.40	33.02	39.40	48

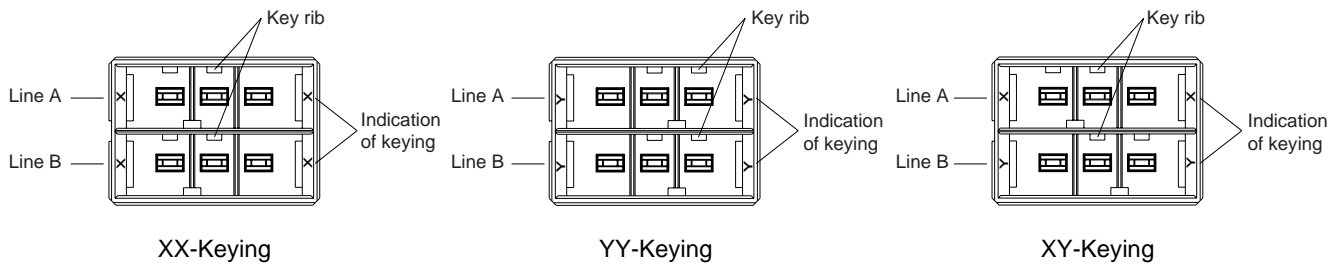
### Material and Finish

Tab contact: Copper alloy, nickel-undercoated, selective gold-plated  
Housing: Glass-filled PBT, UL94V-0, black  
Reinforcing metal fixture: Copper alloy, nickel-undercoated, selective gold-plated

**RoHS compliance** This product displays (LF)(AU) on a label.  
Note: 1. Contact JST about the headers supplied in magazine stick.  
2. Contact JST about 0.76 μm gold-plated product and tin-plated product.

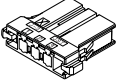
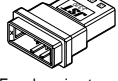

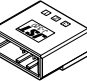

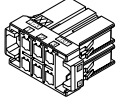
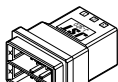




## Keying

J320M series have mis-insertion preventive keying.  
Available in 3 types – XX-Keying, YY-Keying and XY-Keying.  
(Headers viewed from the mating side are shown below.)



## List of combinations

With the combination of the J320M headers and the J320M/J320S receptacle housings, the following modular combinations are possible.

Receptacle housing		Tab housing		Header		
Single-row 3, 4, 5, 6 circuits (J320S) 	<u>X-Keying</u> F32FSS-■V-KX	 Free hanging type F32MSF-■V-KX Panel mounting type F32MSP-■V-KX	<u>X-Keying</u> Single-row 3, 4, 5, 6 circuits (J320S)  Top entry type B■B-F32SK-GGXR Side entry type S■B-F32SK-GGXR	<u>Y-Keying</u> Single-row 3, 4, 5, 6 circuits (J320S)  Top entry type B■B-F32SK-GGYR Side entry type S■B-F32SK-GGYR		
	<u>Y-Keying</u> F32FSS-■V-KY				<u>Y-Keying</u> Free hanging type F32MSF-■V-KY Panel mounting type F32MSP-■V-KY	<u>Y-Keying</u> Single-row 3, 4, 5, 6 circuits (J320M)  Top entry type B■B-F32MK-GGXXR Side entry type S■B-F32MK-GGXXR
Double-row 6, 10, 12, 20 circuits (J320M) 	<u>XX-Keying</u> F32FMS-■V-KXX	 Free hanging type F32MDF-■V-KXX Panel mounting type F32MDP-■V-KXX	<u>XX-Keying</u> Double-row 6, 10, 12, 20 circuits (J320M)  Top entry type B■B-F32MK-GGXXR Side entry type S■B-F32MK-GGXXR	<u>YY-Keying</u> Double-row 6, 10, 12, 20 circuits (J320M)  Top entry type B■B-F32MK-GGYR Side entry type S■B-F32MK-GGYR		
	<u>YY-Keying</u> F32FMS-■V-KYY				<u>YY-Keying</u> Free hanging type F32MDF-■V-KYY Panel mounting type F32MDP-■V-KYY	<u>XY-Keying</u> Double-row 6, 10, 12, 20 circuits (J320M)  Top entry type B■B-F32MK-GGXXR Side entry type S■B-F32MK-GGXXR
	<u>XY-Keying</u> F32FMS-■V-KXY				<u>XY-Keying</u> Free hanging type F32MDF-■V-KXY Panel mounting type F32MDP-■V-KXY	<u>XY-Keying</u> Double-row 6, 10, 12, 20 circuits (J320M)  Top entry type B■B-F32MK-GGYR Side entry type S■B-F32MK-GGYR

Note: Number of circuits is indicated in ■.

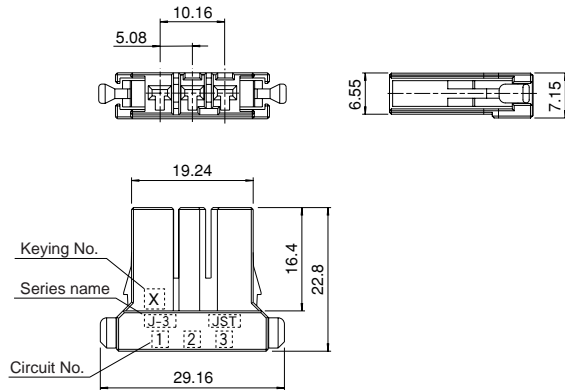
# J300 SERIES/J320T

## Assembly layout

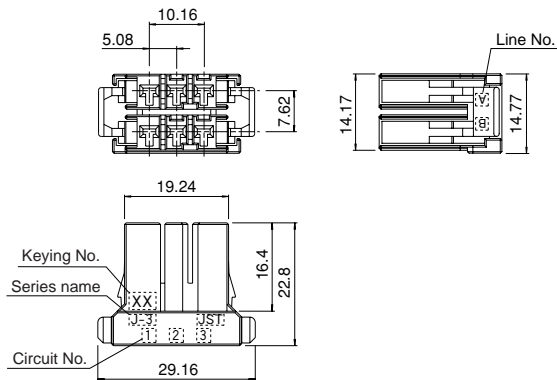
		When mating with J320S receptacle	When mating with J320M receptacle modular
Wire-to-board	Side entry type		

## Receptacle housing

### Single-row type • 3 circuits



### Double-row type • 6 circuits



Circuits	Keying	Model No.	Q'ty/bag
3	X	<b>F32FSS-03V-KXX</b>	200
	Y	<b>F32FSS-03V-KY</b>	200

#### Material

Glass-filled PBT, UL94V-0, black

#### RoHS compliance

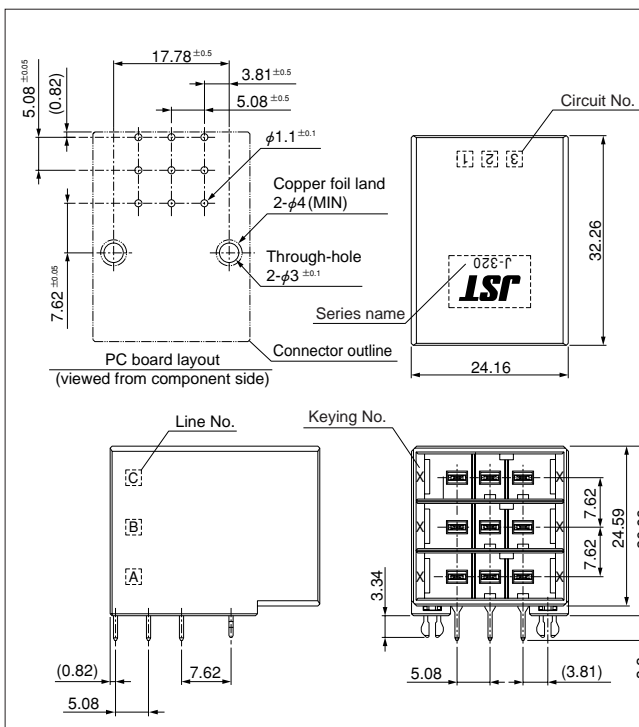
Circuits	Keying	Model No.	Q'ty/bag
6	XX	<b>F32FMS-06V-KXX</b>	100
	YY	<b>F32FMS-06V-KYY</b>	100
	XY	<b>F32FMS-06V-KXY</b>	100

#### Material

Glass-filled PBT, UL94V-0, black

#### RoHS compliance

## Header (Side entry type)



Circuits	Keying	Model No.	Q'ty/box
9	XXX	<b>S09B-F32TK-GGXAR</b>	42
	XXY	<b>S09B-F32TK-GGXBR</b>	42
	XYX	<b>S09B-F32TK-GGXCR</b>	42
	YYX	<b>S09B-F32TK-GGXDR</b>	42

#### Material and Finish

Tab contact: Copper alloy, nickel-undercoated, selective gold-plated

Housing: Glass-filled PBT, UL94V-0, black

Reinforcing metal fixture: Copper alloy, nickel-undercoated, selective gold-plated

#### RoHS compliance

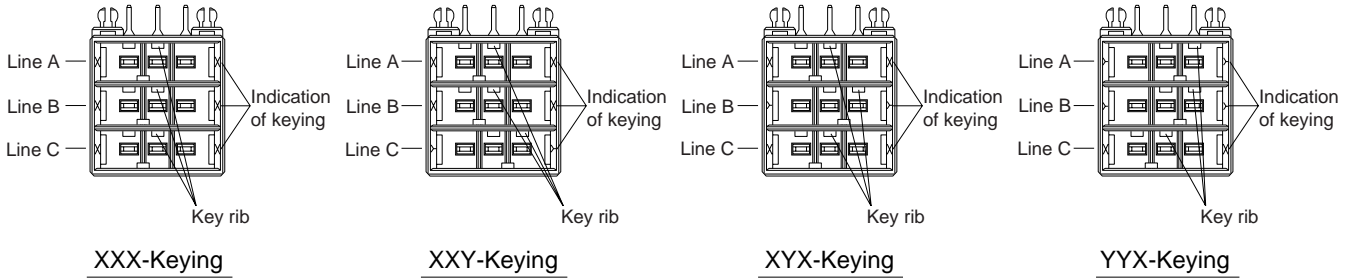
This product displays (LF)(AU) on a label.  
Note: Contact JST about 0.76 μm gold-plated product and tin-plated product.



# J300 SERIES/J320T

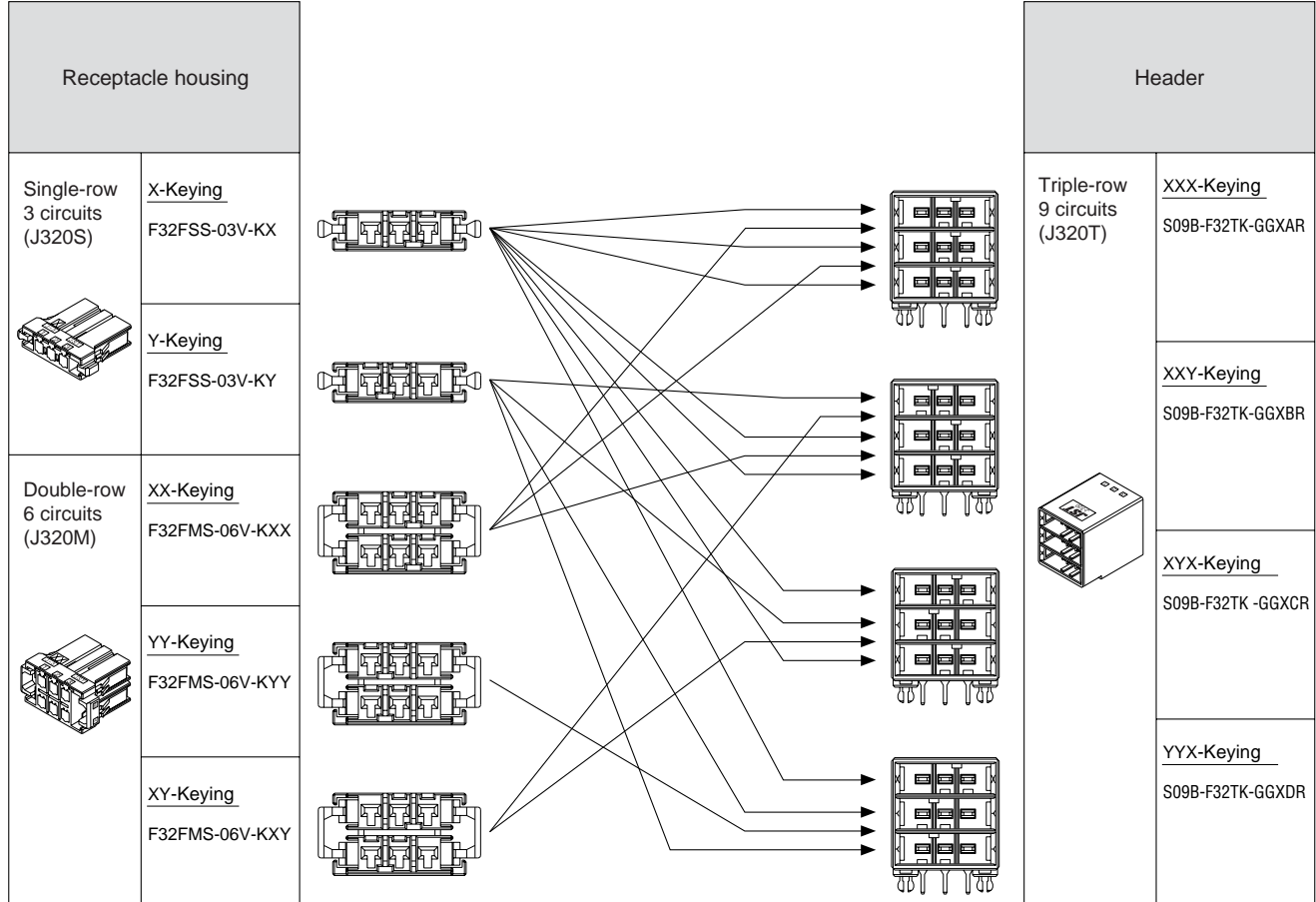
## Keying

J320T series have mis-insertion preventive keying.  
Available in 4 types – XXX-Keying, XXY-Keying, XYX-Keying and YYX-Keying.  
(Headers viewed from the mating side are shown below.)

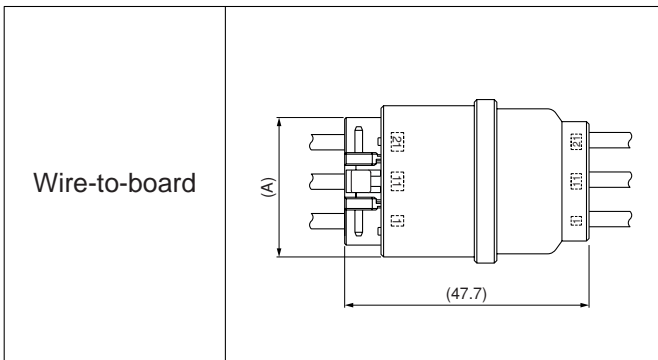


## List of combinations

With the combination of the J320T headers and the J320S/J320M receptacle housings, the following modular combinations are possible.



## Assembly layout



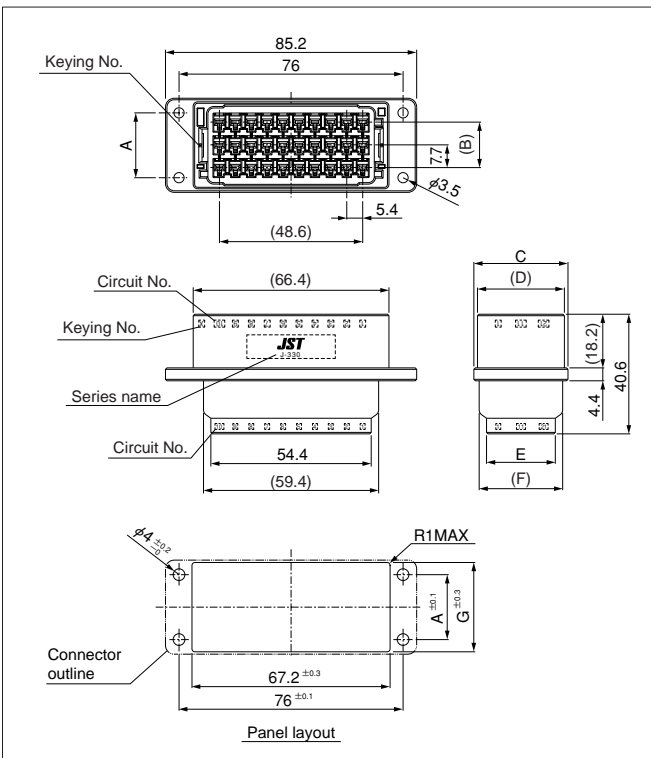
## Specifications

• Current rating: (AC, DC)

Unit: A

Circuits	Wire size (AWG)		Dimensions (mm)
	#14	#16	A
30	5.0	5.0	27.2
40	5.0	5.0	34.9

## Receptacle housing (Reverse type Panel mounting type)



Circuits	Keying	Model No.	Dimensions (mm)							Q'ty /box
			A	B	C	D	E	F	G	
30	X	F33FRTPA-30V-KX	22.0	15.4	31.9	29.5	23.3	28.3	30.3	56
	Y	F33FRTPA-30V-SY	22.0	15.4	31.9	29.5	23.3	28.3	30.3	56
	Z	F33FRTPA-30V-EZ	22.0	15.4	31.9	29.5	23.3	28.3	30.3	56
40	X	F33FRFPA-40V-KX	29.7	23.1	39.6	37.2	31.0	36.0	38.0	12
	Y	F33FRFPA-40V-SY	29.7	23.1	39.6	37.2	31.0	36.0	38.0	12
	Z	F33FRFPA-40V-EZ	29.7	23.1	39.6	37.2	31.0	36.0	38.0	12
	W	F33FRFPA-40V-MW	29.7	23.1	39.6	37.2	31.0	36.0	38.0	12

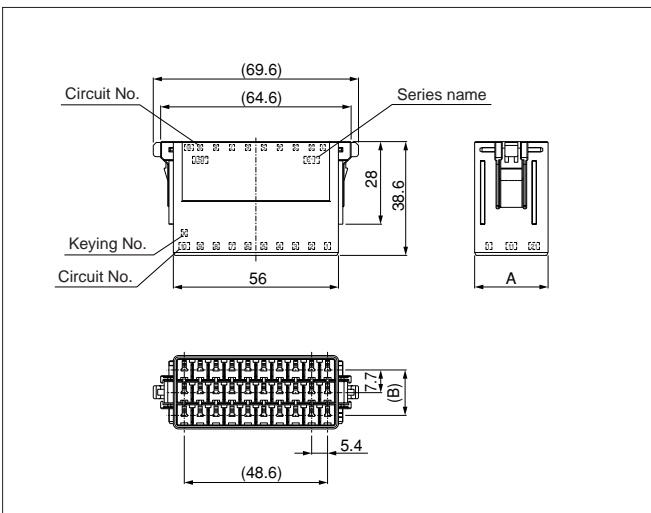
### Material

Glass-filled PBT, UL94V-0, X-Keying (black), Y-Keying (white), Z-Keying (blue), W-Keying (green)

### RoHS compliance

Note: Not CSA/UL/TÜV approved.

## Tab housing (Reverse type)



Circuits	Keying	Model No.	Dimensions (mm)		Q'ty /box
			A	B	
30	X	F33MRTS-30V-KX	24.9	15.4	64
	Y	F33MRTS-30V-SY	24.9	15.4	64
	Z	F33MRTS-30V-EZ	24.9	15.4	64
40	X	F33MRFS-40V-KX	32.6	23.1	64
	Y	F33MRFS-40V-SY	32.6	23.1	64
	Z	F33MRFS-40V-EZ	32.6	23.1	64
	W	F33MRFS-40V-MW	32.6	23.1	64

### Material

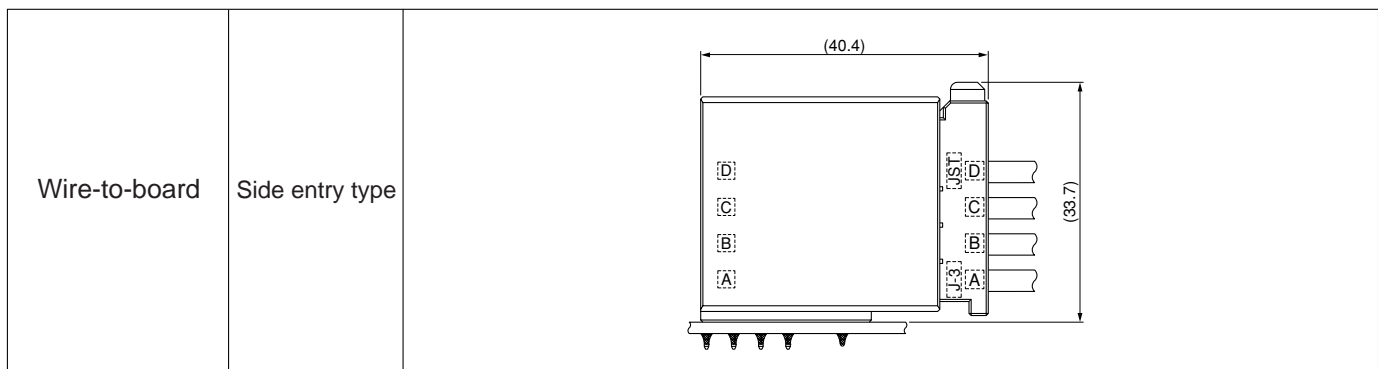
Glass-filled PBT, UL94V-0, X-Keying (black), Y-Keying (white), Z-Keying (blue), W-Keying (green)

### RoHS compliance

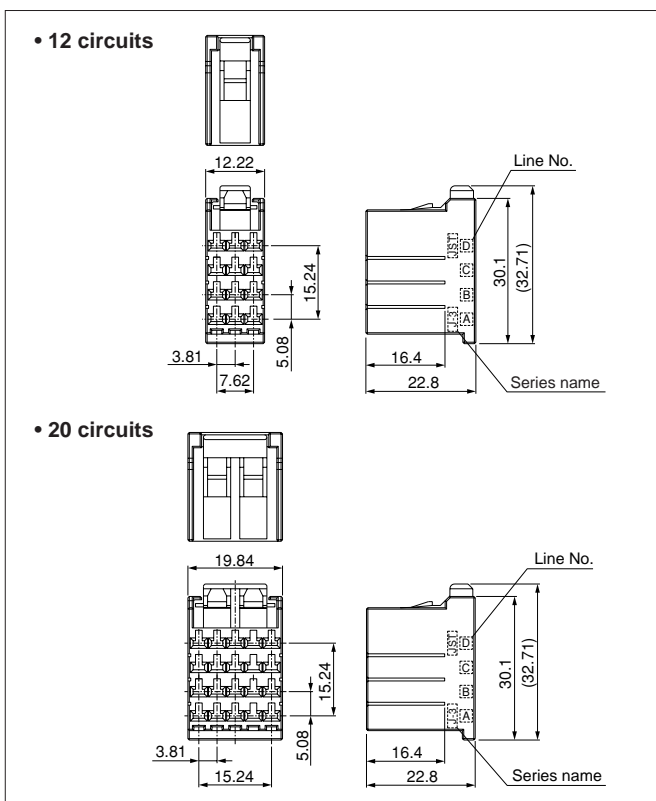
Note: Not CSA/UL/TÜV approved.

# J300 SERIES/J340F

## Assembly layout



## Receptacle housing



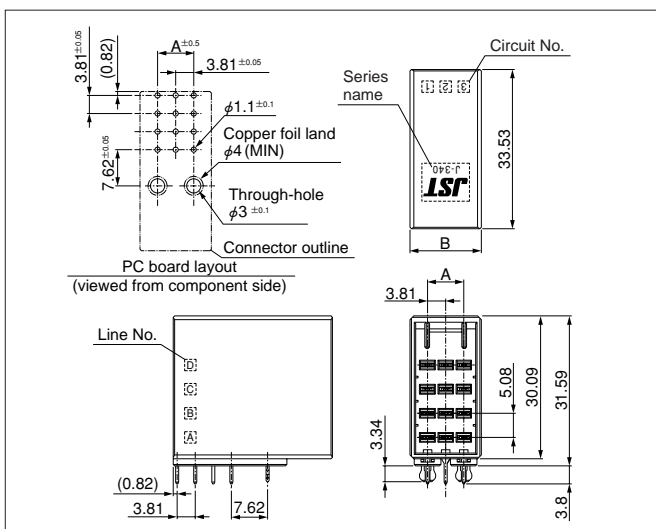
Circuits	Keying	Model No.	Q'ty/bag
12	—	<b>F34FFC-12V-K</b>	100
20	—	<b>F34FFC-20V-K</b>	100

### Material

Glass-filled PBT, UL94V-0, black

### RoHS compliance

## Header (Side entry type)



Circuits	Keying	Model No.	Dimensions (mm)		Q'ty/box
			A	B	
12	—	<b>SC12B-F34FK-GGR</b>	7.62	15.02	63
20	—	<b>SC20B-F34FK-GGR</b>	15.24	22.64	42

### Material and Finish

Tab contact: Copper alloy, nickel-undercoated, selective gold-plated

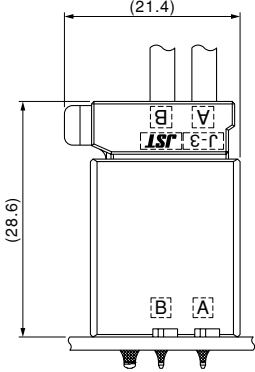
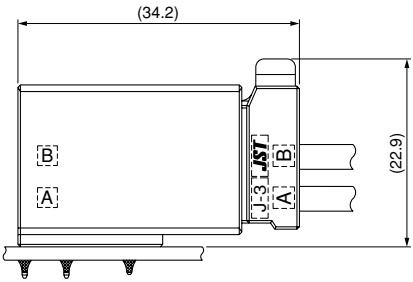
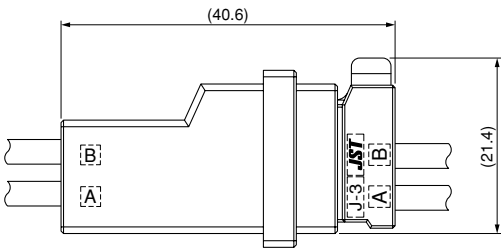
Housing: Glass-filled PBT, UL94V-0, black

Reinforcing metal fixture: Copper alloy, nickel-undercoated, selective gold-plated

**RoHS compliance** This product displays (LF)(AU) on a label.

Note: Contact JST about 0.76 μm gold-plated product and tin-plated product.

## Assembly layout

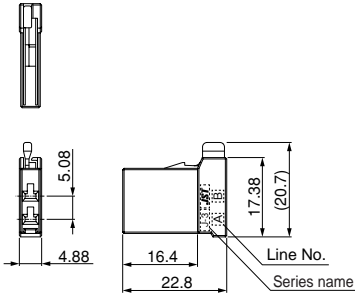
<p>Wire-to-board</p>	<p>&lt;Top entry type&gt;</p> 	<p>&lt;Side entry type&gt;</p> 
<p>Wire-to-wire</p>	<p>&lt;Free hanging type / Panel mounting type&gt;</p> 	

\*When mating with receptacle housing (2-circuit)

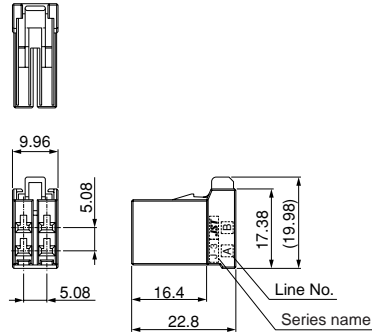
# J300 SERIES/J350D

## Receptacle housing

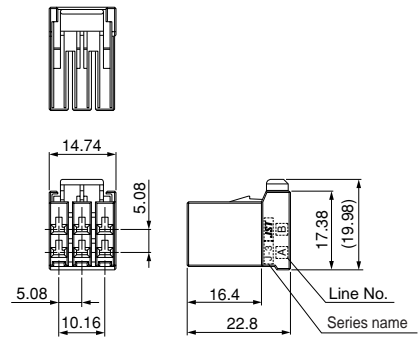
### • 2 circuits



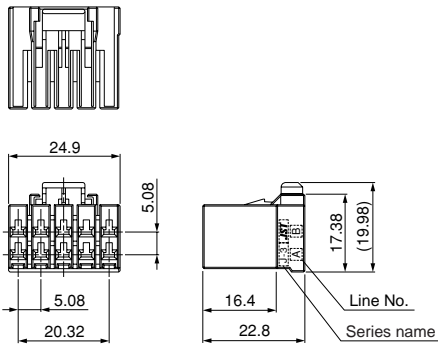
### • 4 circuits



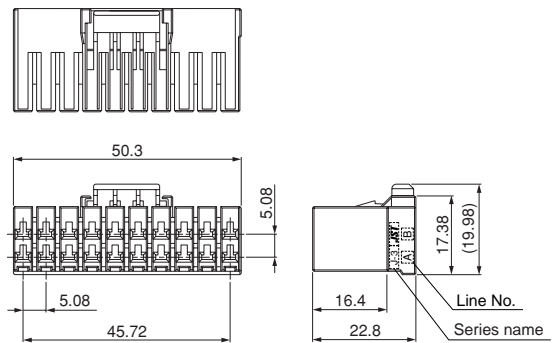
### • 6 circuits



### • 10 circuits



### • 20 circuits



Circuits	Keying	Model No.	Q'ty/bag
2	—	F35FDC-02V-K	200
4	—	F35FDC-04V-K	200
6	—	F35FDC-06V-K	200
10	—	F35FDC-10V-K	100
20	—	F35FDC-20V-K	100

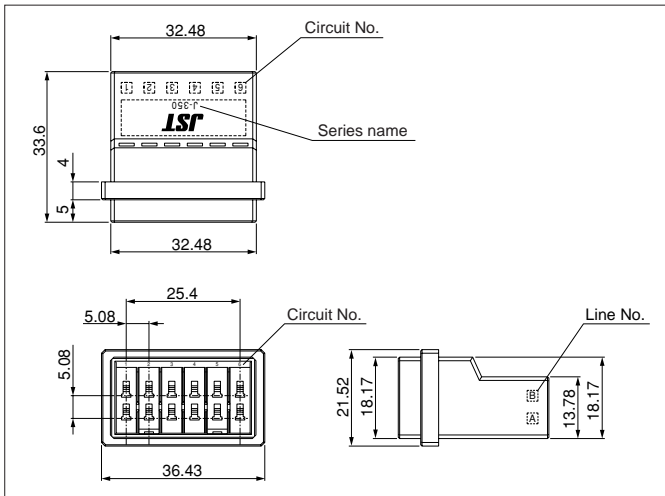
#### Material

Glass-filled PBT, UL94V-0, black

RoHS compliance

# J300 SERIES/J350D

## Tab housing (Free hanging type)



Circuits	Keying	Model No.	Q'ty/box
12	—	<b>F35MDF-12V-K</b>	50

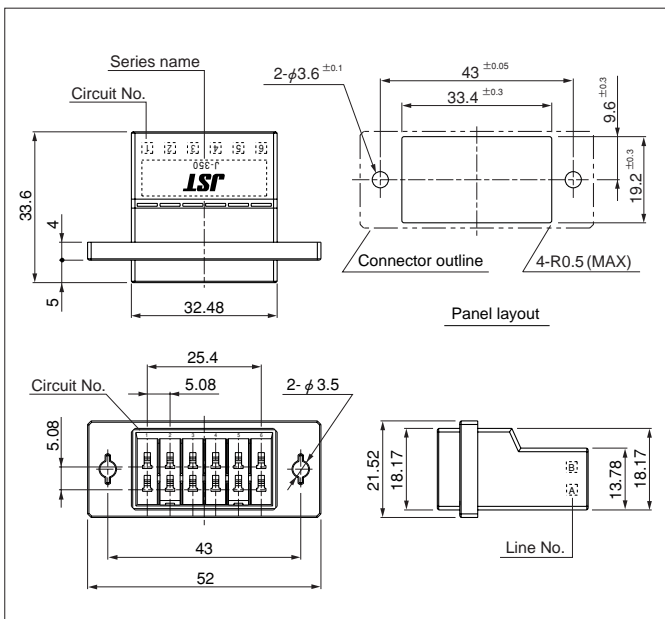
### Material

Glass-filled PBT, UL94V-0, black

### RoHS compliance

Note: Not TÜV approved.

## Tab housing (Panel mounting type)



Circuits	Keying	Model No.	Q'ty/box
12	—	<b>F35MDP-12V-K</b>	41

### Material

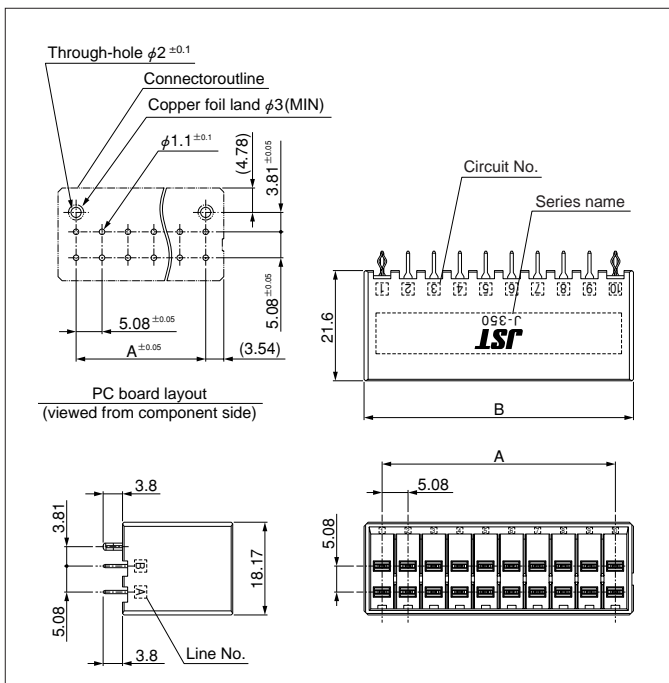
Glass-filled PBT, UL94V-0, black

### RoHS compliance

Note: Not TÜV approved.

# J300 SERIES/J350D

## Header (Top entry type)



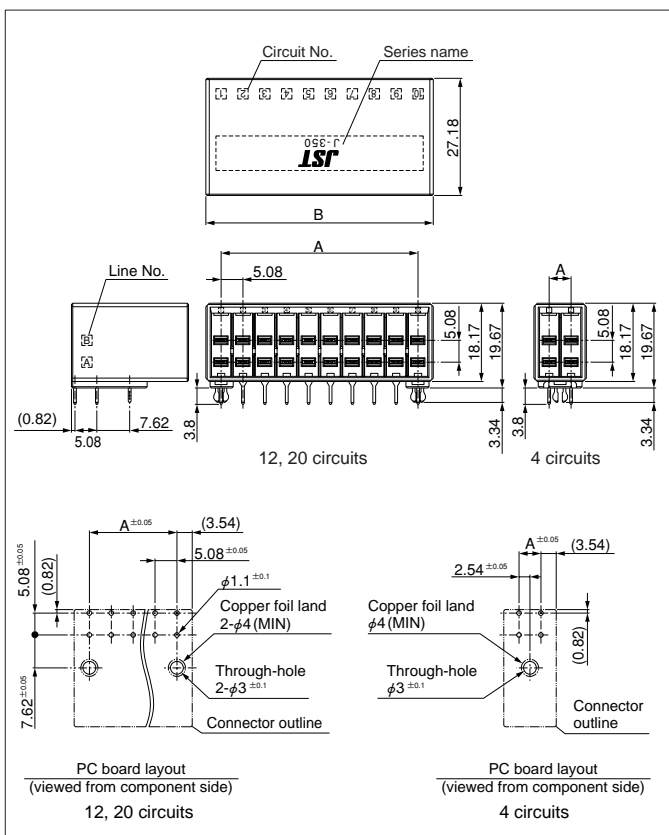
Circuits	Keying	Model No.	Dimensions (mm)		Q'ty/box
			A	B	
12	—	BC12B-F35DK-GGR	25.4	32.48	56
20	—	BC20B-F35DK-GGR	45.72	52.8	32

### Material and Finish

Tab contact: Copper alloy, nickel-undercoated, selective gold-plated  
Housing: Glass-filled PBT, UL94V-0, black  
Reinforcing metal fixture: Copper alloy, nickel-undercoated, selective gold-plated

**RoHS compliance** This product displays (LF)(AU) on a label.  
Note: Contact JST about 0.76  $\mu$ m gold-plated product and tin-plated product.

## Header (Side entry type)



Circuits	Keying	Model No.	Dimensions (mm)		Q'ty/box
			A	B	
4	—	SC04B-F35DK-GGR	5.08	12.16	152
12	—	SC12B-F35DK-GGR	25.4	32.48	56
20	—	SC20B-F35DK-GGR	45.72	52.8	32

### Material and Finish

Tab contact: Copper alloy, nickel-undercoated, selective gold-plated  
Housing: Glass-filled PBT, UL94V-0, black  
Reinforcing metal fixture: Copper alloy, nickel-undercoated, selective gold-plated

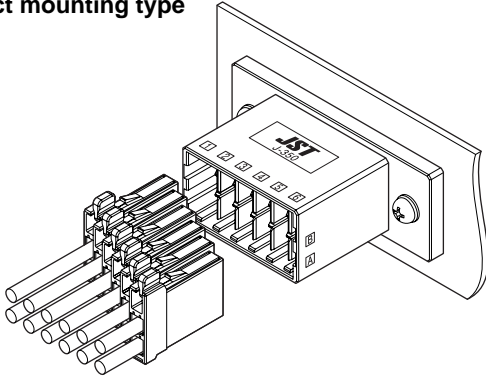
**RoHS compliance** This product displays (LF)(AU) on a label.  
Note: Contact JST about 0.76  $\mu$ m gold-plated product and tin-plated product.



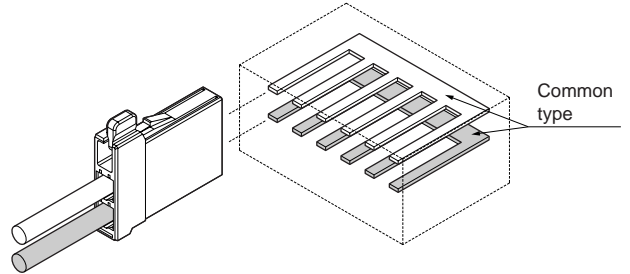
# J300 SERIES COMMON TYPE/J350D

## Double-row Connector type (J350D)

### Direct mounting type



### Circuit figure



- Rationalization of wiring is realized by the common connection inside the connector

## Specifications

- Current rating: (AC, DC) / (Total input current on single-row)

Unit: A

Circuits	Wire size (AWG)			
	#14	#16	#18	#20
12	13.0	11.5	9.5	7.5

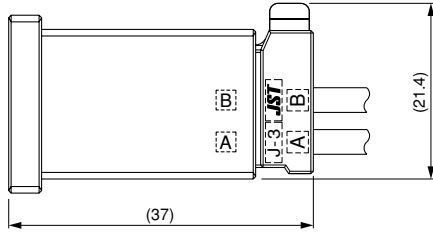
- Voltage rating: 600 V AC, DC
- Temperature range: -55°C to +105°C  
(including temperature rise in applying electrical current)
- Contact resistance: Initial value/ 10 mΩ max.  
After environmental tests/ 20 mΩ max.
- Insulation resistance: 1,000 MΩ min.
- Withstanding voltage: 2,200 VAC/minute
- Applicable wire: AWG #28 to #14
- \* Contact JST for details.
- \* Compliant with RoHS.
- \* Refer to "General Instruction and Notice when using Terminals and Connectors" at the end of this catalog.



# J300 SERIES COMMON TYPE/J350D

## Assembly layout

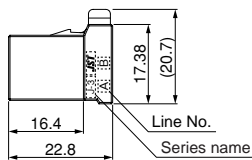
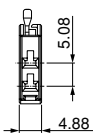
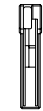
### Direct mounting type



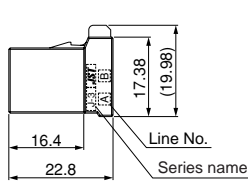
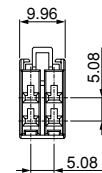
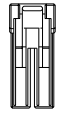
\*When mating with receptacle housing (2-circuit)

## Receptacle housing

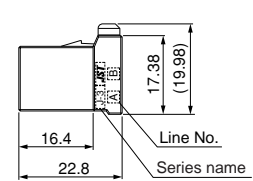
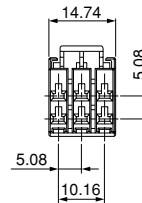
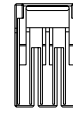
### • 2 circuits



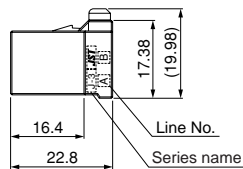
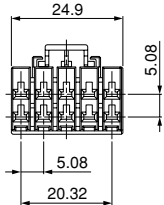
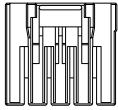
### • 4 circuits



### • 6 circuits



### • 10 circuits



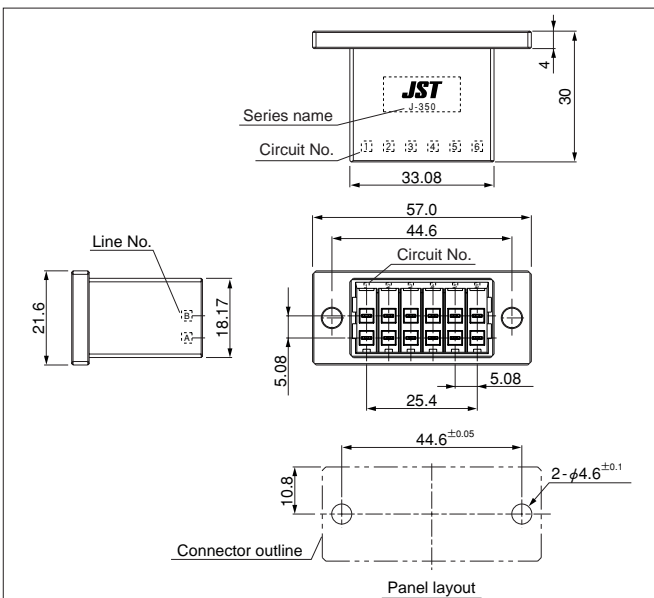
Circuits	Keying	Model No.	Q'ty/bag
2	—	<b>F35FDC-02V-K</b>	200
4	—	<b>F35FDC-04V-K</b>	200
6	—	<b>F35FDC-06V-K</b>	200
10	—	<b>F35FDC-10V-K</b>	100

### Material

Glass-filled PBT, UL94V-0, black

### RoHS compliance

## Tab housing Assembly



Circuits	Keying	Model No.	Q'ty/box
12	—	<b>P12B-F35DK-GFAR</b>	196

### Material and Finish

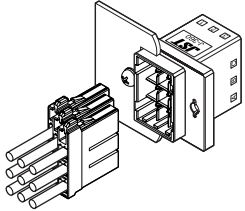
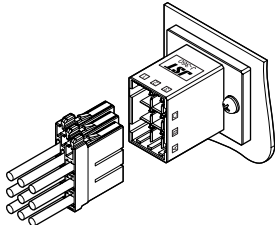
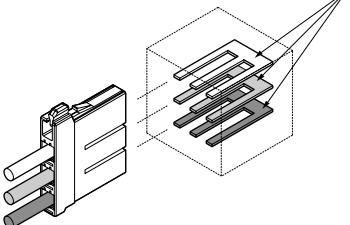
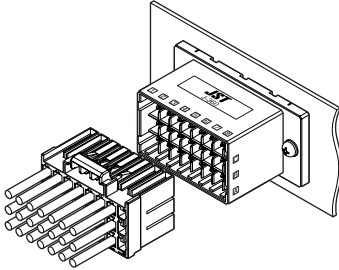
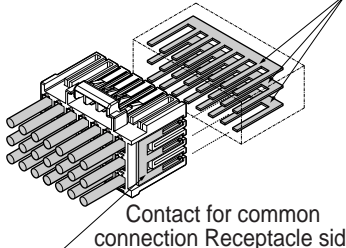
Tab contact: Copper alloy, nickel-undercoated, selective gold-plated  
Housing: Glass-filled PBT, UL94V-0, black

### RoHS compliance

This product displays (LF)(AU) on a label.  
Note: 1. Contact JST about 0.76 μm gold-plated product and tin-plated product.  
2. Refer to the top page of 350D (Common) for circuit figure.

# J300 SERIES COMMON TYPE/J360T

## Triple-row Common type (360T)

	Panel mounting type	Direct mounting type	Circuit figure
When mating with receptacle housing			 Contact for common connection Tab side
When mating with receptacle housing assembly with common connection			 Contact for common connection Tab side Contact for common connection Receptacle side

- Rationalization of wiring is realized by the common connection inside the connector

## Specifications

- Current rating: (AC, DC)

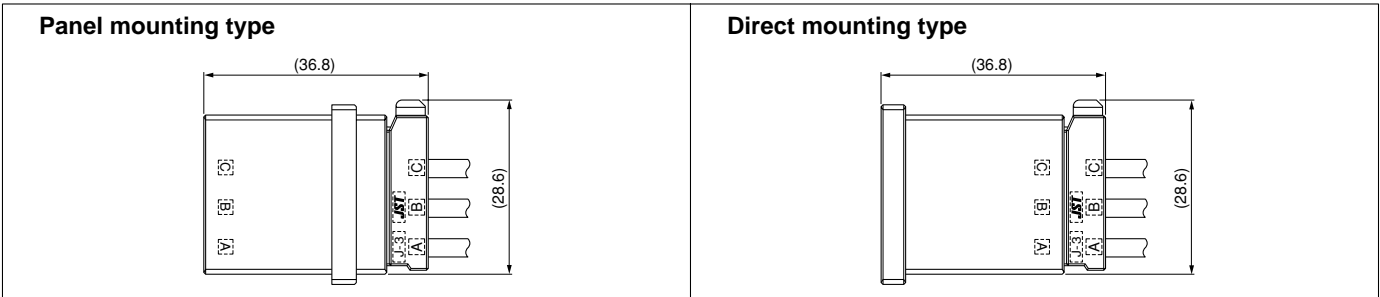
Unit: A

	Wire size (AWG)			
	#14	#16	#18	#20
Receptacle housing (Total input current on single-row)	12.0	10.5	8.5	6.5
Receptacle housing assembly with common connection (Total input current on all circuits)	15.0	13.5	11.5	9.5

- Voltage rating: 600 V AC, DC
- Temperature range: -55°C to +105°C  
(including temperature rise in applying electrical current)
- Contact resistance: Initial value/ 10 mΩ max.  
After environmental tests/ 20 mΩ max.
- Insulation resistance: 1,000 MΩ min.  
(When using receptacle housing)
- Withstanding voltage: 2,200 VAC/minute  
(When using receptacle housing)
- Applicable wire: AWG #28 to #14
- \* Contact JST for details.
- \* Compliant with RoHS.
- \* Refer to "General Instruction and Notice when using Terminals and Connectors" at the end of this catalog.

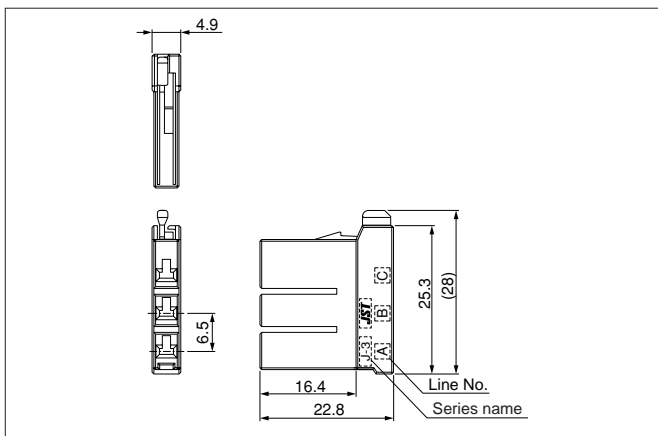
# J300 SERIES COMMON TYPE/J360T

## Assembly layout



\*When mating with receptacle housing (3-circuit)

## Receptacle housing



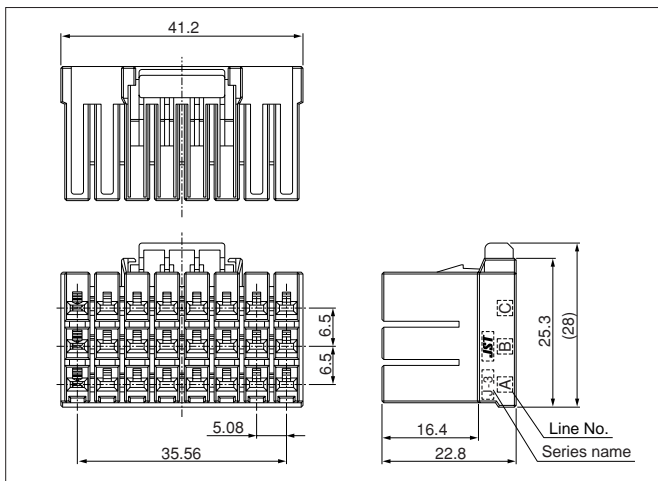
Circuits	Keying	Model No.	Q'ty/bag
3	—	<b>F36FTC-03V-K</b>	200

### Material

Glass-filled PBT, UL94V-0, black

### RoHS compliance

## Receptacle housing assembly with common connection



Circuits	Model No.	Q'ty/bag
21	<b>F36FTC-21(24-C8T)V-KC</b>	60

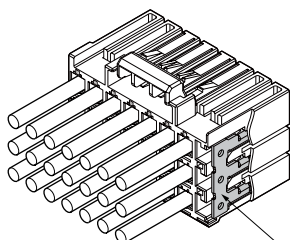
### Material

Contact for common connection: Copper alloy, nickel-undercoated, selective gold-plated  
Housing: Glass-filled PBT, UL94V-0, black

### RoHS compliance

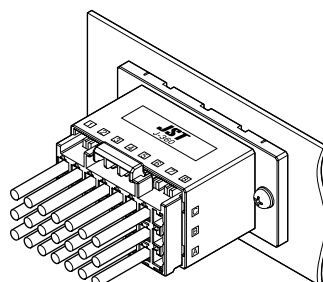
- Note: 1. Contact JST about 0.76 μm gold-plated product.  
2. Not CSA/UL/TÜV approved

### Cross-section of receptacle housing assembly with common connection



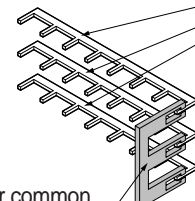
Inserted the contact common to the right side of receptacle housing

### Illustration when using



### Circuit figure

Contact for common connection Tab side

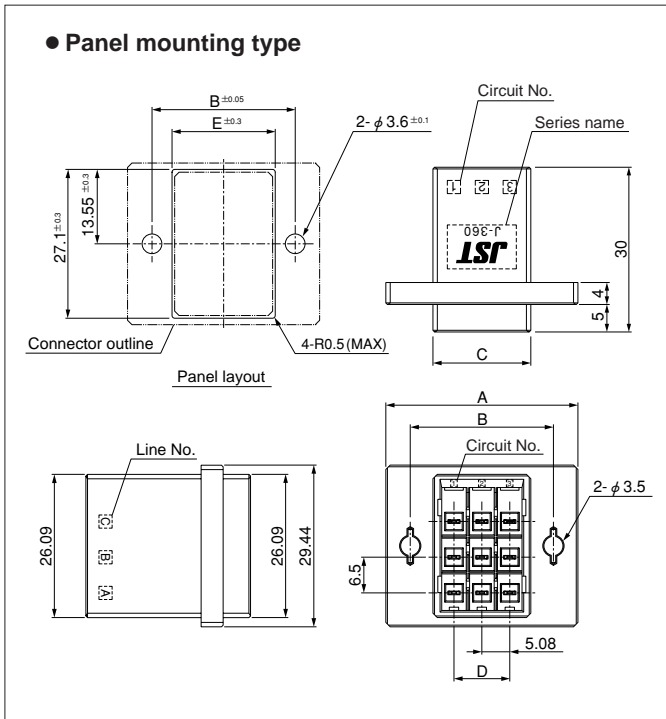


Contact for common connection Receptacle side

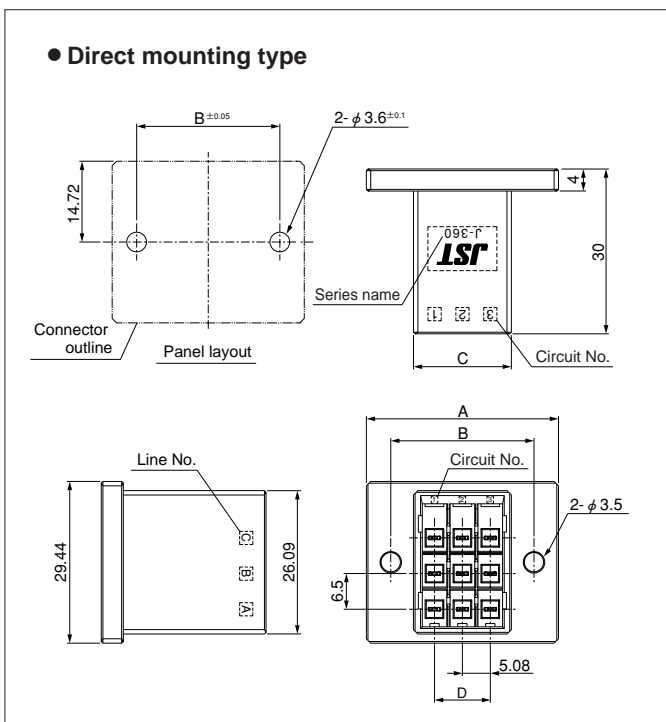
# J300 SERIES COMMON TYPE/J360T

## Tab housing Assembly

### ● Panel mounting type



### ● Direct mounting type



Circuits	Keying	Model No.	Dimensions (mm)					Q'ty /box
			A	B	C	D	E	
9	—	<b>P09B-F36TK-GFR</b>	35.0	26.1	17.8	10.16	18.8	364
18	—	<b>P18B-F36TK-GFR</b>	50.2	41.3	33.1	25.40	34.1	224

#### Material and Finish

Tab contact: Copper alloy, nickel-undercoated, selective gold-plated  
Housing: Glass-filled PBT, UL94V-0, black

#### RoHS compliance

Note: 1. Contact JST about 0.76 μm gold-plated product and tin-plated product.  
2. Refer to the top page of 360T (Common type) for circuit figure.

Circuits	Keying	Model No.	Dimensions (mm)				Q'ty /box
			A	B	C	D	
9	—	<b>P09B-F36TK-GFAR</b>	35.0	26.1	17.8	10.16	364
18	—	<b>P18B-F36TK-GFAR</b>	50.2	41.3	33.1	25.40	224
24	—	<b>P24B-F36TK-GFAR</b>	60.4	51.5	43.2	35.56	168

#### Material and Finish

Tab contact: Copper alloy, nickel-undercoated, selective gold-plated  
Housing: Glass-filled PBT, UL94V-0, black

#### RoHS compliance

Note: 1. Contact JST about 0.76 μm gold-plated product and tin-plated product.  
2. 24-circuit product without housing cover type is also available.  
3. The directions such as series names of 24-circuit product are different from 9 and 18-circuit products.  
4. 24-circuit product is not approved by UL standard.  
5. Refer to the top page of 360T (Common type) for circuit figure.

# JFA CONNECTOR/J300 SERIES

## Model number identification

### Receptacle contact

**S F3 F - 41 GF - P 2.0**

Form: S...Strip form, B...Loose piece,  
L...Loose piece with curled barrels

Series name

Kind of terminal: F...Receptacle contact

Applicable wire: 002...AWG #28 ~ #24, 01...AWG #24 ~ #20,  
41...AWG #20 ~ #16, 71...AWG #16 ~ #14

Surface finish: GF...Nickel-undercoated, 0.38 $\mu$ m selective gold-plated  
GI...Nickel-undercoated, 0.76 $\mu$ m selective gold-plated  
T...Tin-plated (reflow treatment)

Material: P...Copper alloy

Sub model No.

### Tab contact

**S F3 M - 41 GF - M 2.0 N**

Form: S...Strip form, B...Loose piece  
L...Loose piece with curled barrels

Series name

Kind of terminal: M...Tab contact

Applicable wire: 002...AWG #28 ~ #24, 01...AWG #24 ~ #20  
41...AWG #20 ~ #16, 71...AWG #16 ~ #14

Surface finish: GF...Nickel-undercoated, 0.38 $\mu$ m selective gold-plated  
GI...Nickel-undercoated, 0.76 $\mu$ m selective gold-plated  
T...Tin-plated (reflow treatment)

Material: M...Copper alloy

Terminal size

Sub model No.

### Receptacle housing

**F31 F S S - 03 V - K X**

Series name

Type of connector: F...Receptacle housing,  
FR...Receptacle housing Reverse type

Rows: S...Single-row, D...Double-row with 5.08 mm line pitch  
M...Double-row with 7.62 mm line pitch  
T...Triple-row, F...Quadruple-row

Mounting arrangement: S...Side locking, C...Center locking,  
PA...Panel mounting type

Circuits: 1 ~ 6, 8, 10, 12, 16, 20, 30, 40

Flammability: V...UL94V-0

Color indication: K...Black, S...White, E...Blue, M...Green

Keying: X...X-Keying, Y...Y-Keying, Z...Z-Keying, W...W-Keying, XX...XX-Keying,  
YY...YY-Keying, XY...XY-Keying, Blank...Without Keying No.

### Tab housing

**F31 M S F - 03 V - K X**

Series name

Type of connector: M...Tab housing,  
MR...Tab housing Reverse type

Rows: S...Single-row, D...Double-row,  
D...Double-row, F...Quadruple-row

Mounting arrangement: F...Free hanging, P...Panel mounting  
S...Side locking, PL...Panel mounting Housing lock

Circuits: 1 ~ 6, 8, 10, 12, 16, 20, 30, 40

Flammability: V...UL94V-0

Color indication: K...Black, S...White, E...Blue, M...Green

Keying: X...X-Keying, Y...Y-Keying, Z...Z-Keying, W...W-Keying, XX...XX-Keying,  
YY...YY-Keying, XY...XY-Keying, Blank...Without Keying No.

### Header

**B 05 B - F31 S K - GG X R**

PC board mounting direction:  
B...Top entry type  
S...Side entry type  
BC...Top & center locking  
SR...Side reverse  
SC...Side & center locking

Circuits: 2 ~ 6, 8 ~ 10, 12, 16, 20

Product name: Header

Series name

Rows: S...Single-row  
D...Double-row with 5.08 mm line pitch  
M...Double-row with 7.62 mm line pitch  
T...Triple-row  
F...Quadruple-row

Color indication: K...Black, S...White, E...Blue

Surface finish: GG...Nickel-undercoated, 0.38 $\mu$ m selective gold-plated  
GK...Nickel-undercoated, 0.76 $\mu$ m selective gold-plated  
T...Tin-plated (reflow treatment)

Keying: X...X-Keying, Y...Y-Keying, XX...XX-Keying, YY...YY-Keying,  
XY...XY-Keying, XA...XXX-Keying, XB...XXY-Keying,  
XC...XYX-Keying, XD...YYX-Keying, Blank...Without Keying No.

Packaging form: R...Tray, M...Magazine stick

### Receptacle housing assembly

**F36 F T C - 21 (24-C8T) V - K C**

Series name

Type of connector: F...Receptacle housing

Rows: T...Triple-row

Mounting arrangement: C...Center locking

Circuits: 21

Indication of Common : Common circuit is set to  
No. 8 circuit at each row of A, B, and C.

Flammability: V...UL94V-0

Color indication: K...Black

Surface finish of assembled short circuit terminal  
: C...Nickel-undercoated, 0.38 $\mu$ m selective gold-plated  
: D...Nickel-undercoated, 0.76 $\mu$ m selective gold-plated

### Tab housing assembly

**P 18B - F36T K - GF A R**

PC board mounting direction: Panel mounting type

Circuits • Assembly: 9, 12, 18, 24

Series name: F35D...J350D, F36T...J360T

Color indication: K...Black

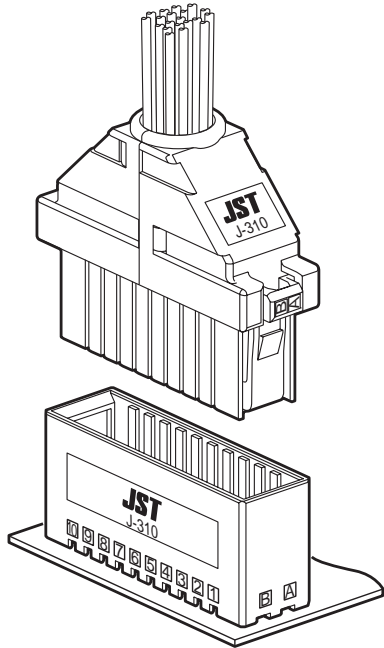
Surface finish: GF...Nickel-undercoated, 0.38 $\mu$ m selective gold-plated  
GI...Nickel-undercoated, 0.76 $\mu$ m selective gold-plated

Mounting arrangement: A...Direct mounting type,  
AN...Direct mounting without housing cover type  
Blank...Panel mounting type

Packaging form: R...Tray



# JFA CONNECTOR J300 SERIES PROTECTOR

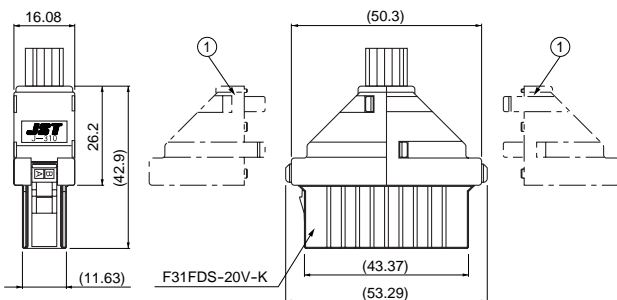


**When applying a current to the connector, the protector prevents foreign substances being inserted into mating part from the wiring side. However it has no function of holding the wire securely.**

*Note: Protector is not approved by UL/CSA/TÜV standards.*

## J300 Series

### • J310D series for 20 circuits



No.	Model No.	Color	Q'ty/box
1	<b>F31PFD-20VK</b>	Black	112
	<b>F31PFD-20SC</b>	Transparent	112

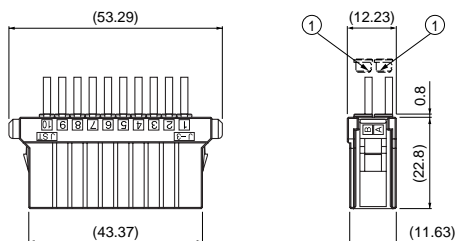
#### Material

Black: Glass-filled PBT  
Transparent: Polycarbonate

#### RoHS compliance

*Note: Two protectors of the same color are used.*

### • J310D series / Embedding-type protector for 8, 10 circuits



No.	Model No.	Color	Q'ty/box
1	<b>F31PFS-10KU</b>	Black	1,000

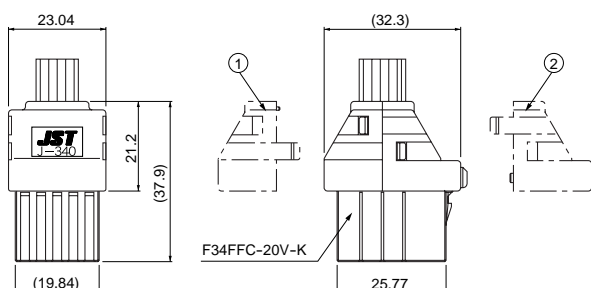
#### Material

Glass-filled, PBT

#### RoHS compliance

*Note: This protector is cut and used for each number of the circuits.*

### • J340F series for 20 circuits



No.	Model No.	Color	Q'ty/box
1	<b>F34PFF-20VKA</b>	Black	80
	<b>F34PFF-20SCA</b>	Transparent	80
2	<b>F34PFF-20VKB</b>	Black	80
	<b>F34PFF-20SCB</b>	Transparent	80

#### Material

Black: Glass-filled PBT  
Transparent: Polycarbonate

#### RoHS compliance

*Note: Both 1 and 2 protectors in the same color are used.*

## X-ON Electronics

Largest Supplier of Electrical and Electronic Components

*Click to view similar products for [Headers & Wire Housings](#) category:*

*Click to view products by [JST](#) manufacturer:*

Other Similar products are found below :

[57102-F02-18ULF](#) [58102-G61-06LF](#) [0009485154](#) [009176003701906](#) [0050291907](#) [02.125.8002.8](#) [609-3404](#) [61062-3](#) [622-0430](#) [622-3653LF](#)  
[63453-116](#) [636-1030](#) [636-1427](#) [636-3427](#) [636-4007](#) [641938-9](#) [644827-2](#) [65495-038](#) [65692-001LF](#) [65781-018](#) [65781-047](#) [65817-010LF](#)  
[65817-015LF](#) [66207-023LF](#) [67016-026LF](#) [67095-007LF](#) [68631-112](#) [68645-018](#) [68648-049](#) [699319-000](#) [70.362.1628.0](#) [70-4210](#) [70-4226B](#)  
[70-4853B](#) [707-5020](#) [707-5028](#) [71.350.2428.0](#) [71961-016LF](#) [733-134](#) [754199-000](#) [760-3052](#) [787-8014-00](#) [FCN-367T-T012/H](#) [80.063.4001.1](#)  
[800-90-001-10-001000](#) [800-90-010-10-002000](#) [801-43-002-10-013000](#) [801-43-006-10-002000](#) [803-41-018-10-001000](#) [803-43-014-20-](#)  
[001000](#)