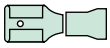
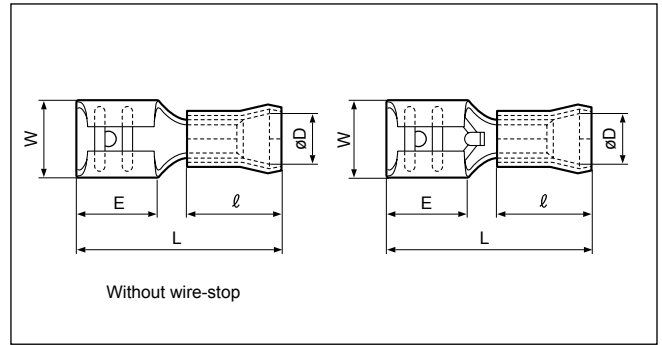
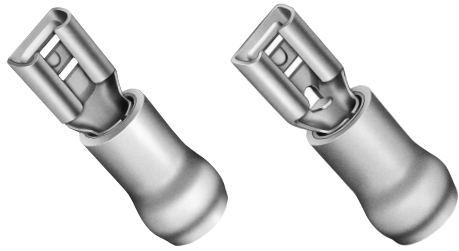
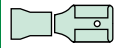


Solderless terminals



QUICK DISCONNECT Female, Vinyl-insulated with copper sleeve

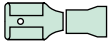


Certificate No.: E70188 LR20812

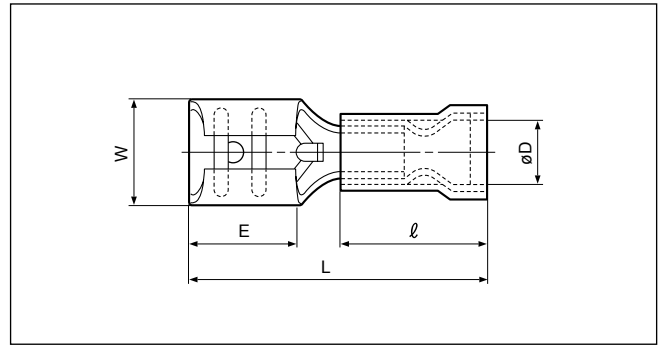
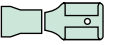
Applicable Wire AWG#(mm ²)	Part No.	Standard	Dimensions mm (in.)							Material Thickness	Mating Tab Thickness	Color	Tool No.							Qty/box
			W	L	E	ø D	ℓ	YNT-2622	YNT-2216				YNT-1614	YNT-1205	YA-1	YA-2	YA-4	BCT-0514L		
110 26 to 22 (0.2 to 0.5)	FVDDF0.5-110A-5 *	(Note 2)	3.7 (.146)	16.4 (.646)	6.4 (.252)	2.2 (.087)	8.0 (.315)	0.25(.010)	0.5 (.020)	Yellow	o			o	o	o	o	1,000		
	FVDDF0.5-110A-8 *		3.7 (.146)	16.4 (.646)	6.4 (.252)	2.2 (.087)	8.0 (.315)	0.25(.010)	0.8 (.031)											
187 22 to 16 (0.25 to 1.65)	FVDDF1.25-110A-5		3.7 (.146)	17.9 (.705)	6.4 (.252)	3.5 (.138)	9.5 (.374)	0.25(.010)	0.5 (.020)	Red	o			o	o	o	o	1,000		
	FVDDF1.25-110A-8		3.7 (.146)	17.9 (.705)	6.4 (.252)	3.5 (.138)	9.5 (.374)	0.25(.010)	0.8 (.031)											
	FVDDF1.25-187A-5		5.7 (.224)	18.7 (.736)	6.0 (.236)	3.5 (.138)	9.5 (.374)	0.35(.014)	0.5 (.020)											
	FVDDF1.25-187A-8		5.7 (.224)	18.7 (.736)	6.0 (.236)	3.5 (.138)	9.5 (.374)	0.35(.014)	0.8 (.031)											
187 16 to 14 (1.04 to 2.63)	FVDDF2-187A-5		5.7 (.224)	18.7 (.736)	6.0 (.236)	4.3 (.169)	9.5 (.374)	0.35(.014)	0.5 (.020)	Blue		o	o	o	o	o	o	1,000		
	FVDDF2-187A-8		5.7 (.224)	18.7 (.736)	6.0 (.236)	4.3 (.169)	9.5 (.374)	0.35(.014)	0.8 (.031)											
205 22 to 16 (0.25 to 1.65)	FVDDF1.25-205A-5 *		6.3 (.248)	18.7 (.736)	6.4 (.252)	3.5 (.138)	9.5 (.374)	0.4 (.016)	0.5 (.020)	Red	o			o	o	o	o	1,000		
	FVDDF1.25-205A-8 *		6.3 (.248)	18.7 (.736)	6.4 (.252)	3.5 (.138)	9.5 (.374)	0.4 (.016)	0.8 (.031)											
205 16 to 14 (1.04 to 2.63)	FVDDF2-205A-8 *		6.3 (.248)	18.7 (.736)	6.4 (.252)	4.3 (.169)	9.5 (.374)	0.4 (.016)	0.8 (.031)	Blue		o	o	o	o	o	o	1,000		
250 22 to 16 (0.25 to 1.65)	FVDDF1.25-250A		7.4 (.291)	20.5 (.807)	7.8 (.307)	3.5 (.138)	9.5 (.374)	0.4 (.016)	0.8 (.031)	Red	o		o	o	o	o	o	1,000		
	FVDDF2-250A		7.4 (.291)	20.5 (.807)	7.8 (.307)	4.3 (.169)	9.5 (.374)	0.4 (.016)	0.8 (.031)											
	FVDDF5.5-250A		7.4 (.291)	24.5 (.965)	7.8 (.307)	6.2 (.244)	13.5 (.531)	0.4 (.016)	0.8 (.031)	Yellow			o					500		
	FVDDF1.25-250B *		7.6 (.299)	20.5 (.807)	8.0 (.315)	3.5 (.138)	9.5 (.374)	0.45(.018)	0.8 (.031)	Red	o			o	o	o	o	1,000		
	FVDDF2-250B *		7.6 (.299)	20.5 (.807)	8.0 (.315)	4.3 (.169)	9.5 (.374)	0.45(.018)	0.8 (.031)	Blue		o		o	o	o	o	1,000		
	FVDDF5.5-250B *		7.6 (.299)	24.5 (.965)	8.0 (.315)	6.2 (.244)	13.5 (.531)	0.45(.018)	0.8 (.031)	Yellow			o					500		
375 16 to 14 (1.04 to 2.63)	FVDDF2-375A *		11.0 (.433)	25.2 (.992)	12.0 (.472)	4.3 (.169)	9.5 (.374)	0.5 (.020)	1.1 (.043)	Blue		o		o	o	o	o	500		
	FVDDF5.5-375A *		11.0 (.433)	29.2(1.150)	12.0 (.472)	6.2 (.244)	13.5 (.531)	0.5 (.020)	1.1 (.043)	Yellow			o					250		

Note: 1) Products marked with * are without wire-stop.
 2) It's applicable only AWG#22 for UL, CSA.
 3) Delivery lead times may vary depending on the product. Contact JST for details.

Solderless terminals



QUICK DISCONNECT Female, Vinyl-insulated with funnel-entry copper sleeve

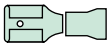


Certificate No.: E70188 LR20812

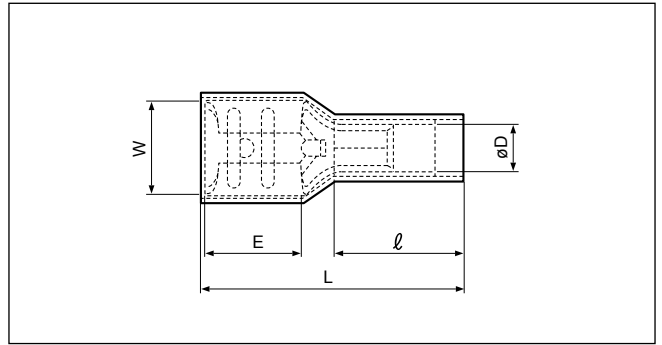
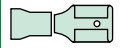
	Applicable Wire AWG#(mm ²)	Part No.	Standard	Dimensions mm (in.)						Material Thickness	Mating Tab Thickness	Color	Tool No.					Qty/box
				W	L	E	ø D	l	YNT-2216				YNT-1614	YA-1	YA-2	YA-4	BCT-0514L	
110	22 to 16 (0.25 to 1.65)	FVZDF1.25-110A-5		3.7 (.146)	19.4 (.764)	6.4 (.252)	3.6 (.142)	11.0 (.433)	0.25(.010)	0.5 (.020)	Red	o					1,000	
		FVZDF1.25-110A-8		3.7 (.146)	19.4 (.764)	6.4 (.252)	3.6 (.142)	11.0 (.433)	0.25(.010)	0.8 (.031)			o	o	o	o		
		FVZDF1.25-187A-8		5.7 (.224)	20.2 (.795)	6.0 (.236)	3.6 (.142)	11.0 (.433)	0.35(.014)	0.8 (.031)								
187	16 to 14 (1.04 to 2.63)	FVZDF2-187A-5		5.7 (.224)	20.2 (.795)	6.0 (.236)	4.3 (.169)	11.0 (.433)	0.35(.014)	0.5 (.020)	Blue		o	o	o	o	1,000	
		FVZDF2-187A-8		5.7 (.224)	20.2 (.795)	6.0 (.236)	4.3 (.169)	11.0 (.433)	0.35(.014)	0.8 (.031)								
250	22 to 16 (0.25 to 1.65)	FVZDF1.25-250A		7.4 (.291)	22.0 (.866)	7.8 (.307)	3.6 (.142)	11.0 (.433)	0.4 (.016)	0.8 (.031)	Red	o		o	o	o	1,000	
	16 to 14 (1.04 to 2.63)	FVZDF2-250A		7.4 (.291)	22.0 (.866)	7.8 (.307)	4.3 (.169)	11.0 (.433)	0.4 (.016)	0.8 (.031)		Blue	o	o	o	o		o

Note:1) Delivery lead times may vary depending on the product. Contact JST for details.

Solderless terminals



QUICK DISCONNECT Female, Fully-insulated with copper sleeve

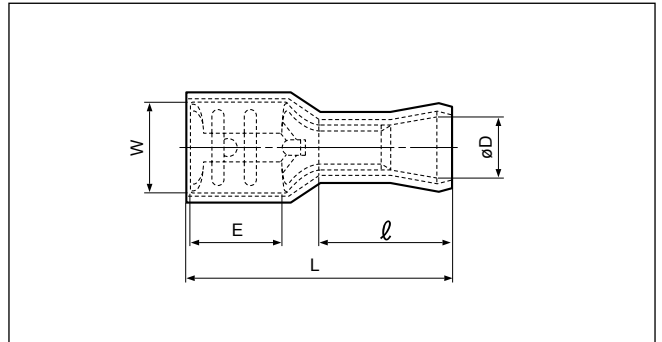


With straight insulation

Certificate No.: E70188 LR20812

	Applicable Wire AWG#(mm ²)	Part No.	Standard	Dimensions mm (in.)						Material Thickness	Mating Tab Thickness	Color	Tool No.						Qty/box
				W	L	E	ø D	l					YNT-2216	YNT-1614	YNT-1210S	YA-1	YA-2	YA-4	
187	22 to 16 (0.25 to 1.65)	LVDDF1.25-187A-5		5.7 (.224)	20.0 (.787)	6.0 (.236)	2.7 (.106)	11.0 (.433)	0.35(.014)	0.5 (.020)	Red	o		o	o	o	o	1,000	
		LVDDF1.25-187A-8		5.7 (.224)	20.0 (.787)	6.0 (.236)	2.7 (.106)	11.0 (.433)	0.35(.014)	0.8 (.031)									
	16 to 14 (1.04 to 2.63)	LVDDF2-187A-5		5.7 (.224)	20.0 (.787)	6.0 (.236)	3.2 (.126)	11.0 (.433)	0.35(.014)	0.5 (.020)	Blue	o		o	o	o	o	1,000	
		LVDDF2-187A-8		5.7 (.224)	20.0 (.787)	6.0 (.236)	3.2 (.126)	11.0 (.433)	0.35(.014)	0.8 (.031)									
250	22 to 16 (0.25 to 1.65)	LVDDF1.25-250A		7.4 (.291)	22.0 (.866)	7.8 (.307)	2.7 (.106)	11.0 (.433)	0.4 (.016)	0.8 (.031)	Red	o		o	o	o	o	500	
	16 to 14 (1.04 to 2.63)	LVDDF2-250A		7.4 (.291)	22.0 (.866)	7.8 (.307)	3.2 (.126)	11.0 (.433)	0.4 (.016)	0.8 (.031)	Blue	o		o	o	o	o	500	
	12 to 10 (2.63 to 6.64)	LVDDF5.5-250A		7.4 (.291)	25.0 (.984)	7.8 (.307)	4.5 (.177)	14.0 (.551)	0.4 (.016)	0.8 (.031)	Yellow		o			o	o	500	

Note:1) Delivery lead times may vary depending on the product. Contact JST for details.



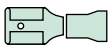
With flared insulation

Certificate No.: E70188 LR20812

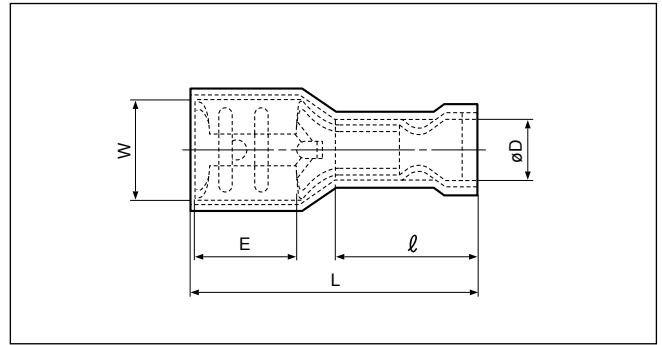
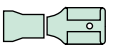
	Applicable Wire AWG#(mm ²)	Part No.	Standard	Dimensions mm (in.)						Material Thickness	Mating Tab Thickness	Color	Tool No.						Qty/box
				W	L	E	ø D	l					YNT-2216	YNT-1614	YNT-1210S	YA-1	YA-2	YA-4	
187	22 to 16 (0.25 to 1.65)	FLVDDF1.25-187A-5		5.7 (.224)	19.0 (.748)	6.0 (.236)	3.5 (.138)	9.5 (.374)	0.35(.014)	0.5 (.020)	Red	o		o	o	o	o	1,000	
		FLVDDF1.25-187A-8		5.7 (.224)	19.0 (.748)	6.0 (.236)	3.5 (.138)	9.5 (.374)	0.35(.014)	0.8 (.031)									
	16 to 14 (1.04 to 2.63)	FLVDDF2-187A-5		5.7 (.224)	19.0 (.748)	6.0 (.236)	4.3 (.169)	9.5 (.374)	0.35(.014)	0.5 (.020)	Blue	o		o	o	o	o	1,000	
		FLVDDF2-187A-8		5.7 (.224)	19.0 (.748)	6.0 (.236)	4.3 (.169)	9.5 (.374)	0.35(.014)	0.8 (.031)									
250	22 to 16 (0.25 to 1.65)	FLVDDF1.25-250A		7.4 (.291)	21.0 (.827)	7.8 (.307)	3.5 (.138)	9.5 (.374)	0.4 (.016)	0.8 (.031)	Red	o		o	o	o	o	500	
	16 to 14 (1.04 to 2.63)	FLVDDF2-250A		7.4 (.291)	21.0 (.827)	7.8 (.307)	4.3 (.169)	9.5 (.374)	0.4 (.016)	0.8 (.031)	Blue	o		o	o	o	o	500	

Note:1) Delivery lead times may vary depending on the product. Contact JST for details.

Solderless terminals



QUICK DISCONNECT Female, Fully-insulated with funnel-entry copper sleeve

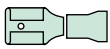


Certificate No.: E70188 LR20812

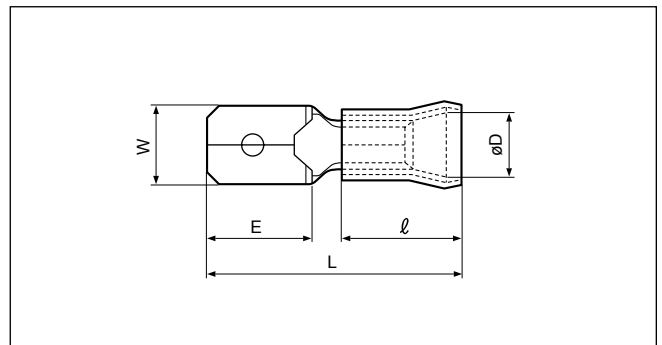
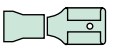
	Applicable Wire AWG#(mm ²)	Part No.	Standard	Dimensions mm (in.)						Material Thickness	Mating Tab Thickness	Color	Tool No.					Qty/box
				W	L	E	ø D	ℓ	YNT-2216				YNT-1614	YA-1	YA-2	YA-4	BCT-0514L	
187	22 to 16 (0.25 to 1.65)	FLVZDF1.25-187A-5		5.7 (.224)	20.5 (.807)	6.0 (.236)	3.6 (.142)	11.0 (.433)	0.35(.014)	0.5 (.020)	Red	o	o	o	o	o	1,000	
		FLVZDF1.25-187A-8		5.7 (.224)	20.5 (.807)	6.0 (.236)	3.6 (.142)	11.0 (.433)	0.35(.014)	0.8 (.031)								
	16 to 14 (1.04 to 2.63)	FLVZDF2-187A-5		5.7 (.224)	20.5 (.807)	6.0 (.236)	4.3 (.169)	11.0 (.433)	0.35(.014)	0.5 (.020)	Blue	o	o	o	o	o	1,000	
250	22 to 16 (0.25 to 1.65)	FLVZDF1.25-250A		7.4 (.291)	22.5 (.886)	7.8 (.307)	3.6 (.142)	11.0 (.433)	0.4 (.016)	0.8 (.031)	Red	o	o	o	o	o	500	
		FLVZDF2-250A		7.4 (.291)	22.5 (.886)	7.8 (.307)	4.3 (.169)	11.0 (.433)	0.4 (.016)	0.8 (.031)								
	16 to 14 (1.04 to 2.63)	FLVZDF2-250A		7.4 (.291)	22.5 (.886)	7.8 (.307)	4.3 (.169)	11.0 (.433)	0.4 (.016)	0.8 (.031)	Blue	o	o	o	o	o	500	

Note:1) Delivery lead times may vary depending on the product. Contact JST for details.

Solderless terminals



QUICK DISCONNECT Male, Vinyl-insulated with copper sleeve



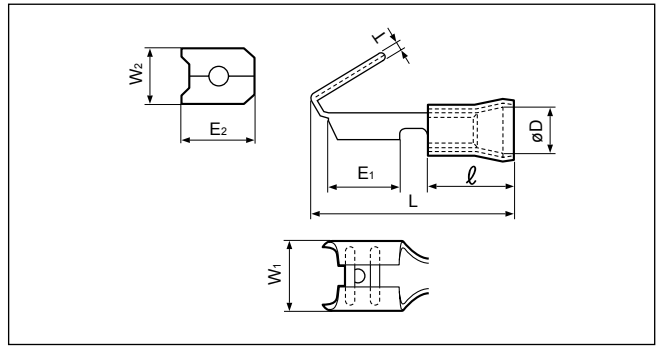
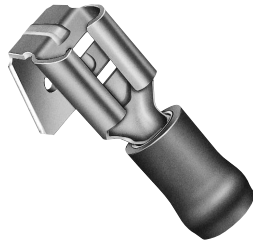
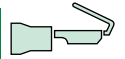
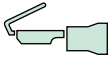
Certificate No.: E70188 LR20812

	Applicable Wire AWG#(mm ²)	Part No.	Standard	Dimensions mm (in.)						Material Thickness	Mating Tab Thickness	Color	Tool No.					Qty/box
				W	L	E	ø D	ℓ	YNT-2216				YNT-1614	YNT-1210S	YA-1	YA-2	YA-4	
260	22 to 16 (0.25 to 1.65)	FVDDM1.25-250		6.3 (.248)	20.5 (.807)	8.0 (.315)	3.5 (.138)	9.5 (.374)	0.4 (.016)	0.8 (.031)	Red	o	o	o	o	o	1,000	
	16 to 14 (1.04 to 2.63)	FVDDM2-250		6.3 (.248)	20.5 (.807)	8.0 (.315)	4.3 (.169)	9.5 (.374)	0.4 (.016)	0.8 (.031)		Blue	o	o	o	o		o
	12 to 10 (2.63 to 6.64)	FVDDM5.5-250		6.3 (.248)	24.5 (.965)	8.5 (.335)	6.2 (.244)	13.5 (.531)	0.4 (.016)	0.8 (.031)	Yellow	o	o	o	o	o	500	

Note:1) Delivery lead times may vary depending on the product. Contact JST for details.

Solderless terminals

PIGGYBACK Vinyl-insulated with copper sleeve



Certificate No.: E70188 LR20812

	Applicable Wire AWG#(mm ²)	Part No.	Standard	Dimensions mm (in.)									Color	Tool No.					Qty/box	
				W		L	E		ø D	ℓ	Material Thickness	T		YNT-2216	YNT-1614	YA-1	YA-2	YA-4		BCT-0514L
				W ₁	W ₂		E ₁	E ₂												
250	22 to 16 (0.25 to 1.65)	FVDDFM1.25-250A		7.4 (.291)	6.3 (.248)	22.2 (.874)	7.8 (.307)	8.0 (.315)	3.5 (.138)	9.5 (.374)	0.4 (.016)	0.8 (.031)	Red	o	o	o	o	o	500	
	16 to 14 (1.04 to 2.63)	FVDDFM2-250A		7.6 (.299)	6.3 (.248)	22.0(.866)	7.8 (.307)	8.0 (.315)	4.3 (.170)	9.5 (.374)	0.4 (.016)	0.8 (.031)	Blue	o	o	o	o	o	500	
		FVDDFM2-250B		7.4 (.291)		22.2(.874)														

Note:1) Terminals FVDDFM2-250A have no slits in the receptacle part.
 2) Delivery lead times may vary depending on the product. Contact JST for details.

X-ON Electronics

Largest Supplier of Electrical and Electronic Components

Click to view similar products for [Terminals category](#):

Click to view products by [JST manufacturer](#):

Other Similar products are found below :

[00-054007-01074-6](#) [00-054007-70206-1](#) [00-054007-70210-8](#) [00-054007-70217-7](#) [00-054007-70228-3](#) [00-054007-70256-6](#) [00-054007-70316-7](#) [00-054007-49560-4](#) [00-054007-70209-2](#) [00-054007-70231-3](#) [00-054007-70241-2](#) [00-054007-70242-9](#) [00-054007-70246-7](#) [00-054007-70263-4](#) [00-054007-70288-7](#) [00-054007-70290-0](#) [00-054007-70300-6](#) [00-054007-70304-4](#) [01-2900-1-04412](#) [00581P0075](#) [600TS-10](#) [60205-1](#) [604200-1](#) [605601-1](#) [60598-1-CUT-TAPE](#) [60617-1-C](#) [61314-6-C](#) [61810-3](#) [62149-1](#) [626-0194](#) [62-NBM-A](#) [62-SP](#) [63-S](#) [M55155/059I03](#) [M55155/079C01](#) [M55155/099B03](#) [M55155/099H02](#) [M55155/109H01](#) [M55155/109H02](#) [M55155/12XH05](#) [M55155/16XH02](#) [M55155/29-5S](#) [M55155/29XJ08](#) [M55155/30-6S](#) [M55155/30-9S](#) [M55155/30XI09](#) [696683-1](#) [696861-1](#) [696999-1](#) [M86700006](#)