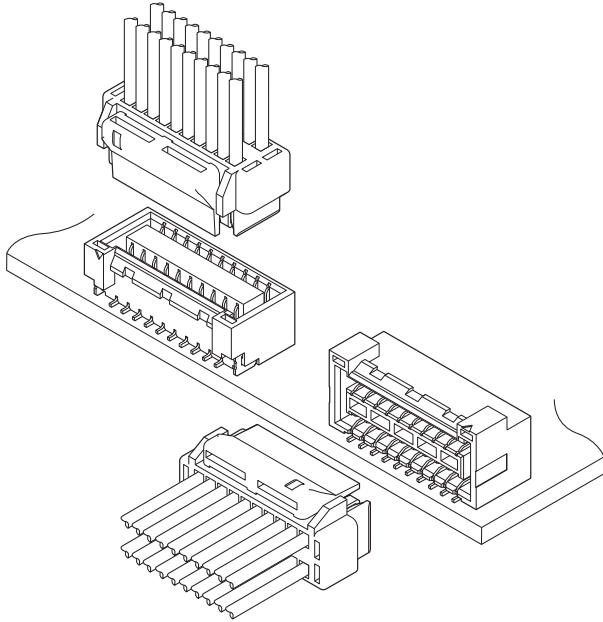


# GHD CONNECTOR/GOLD-PLATED PRODUCT



1.25mm pitch/Disconnectable Crimp style connectors



To meet the requirement of the high density mounting on PC board of flat panel TV, AV equipments etc., this connector is designed to the double-row type of 1.25 mm pitch. Its operability is very well, in spite of the small size.

- Secure lock device
- Low insertion force
- Prevention of contact deformation
- Suction area for picking up

## Specifications

- Current rating: 1.0 A AC, DC (AWG #26)
- Voltage rating: 50 V AC, DC
- Temperature range: -25°C to +85°C  
(including temperature rise in applying electrical current)
- Contact resistance:
  - Initial value/ Top entry type: 30 mΩ max.
  - Side entry type: 50 mΩ max
  - After environmental tests/ Top entry type: 50 mΩ max.
  - Side entry type: 70 mΩ max
- Insulation resistance: 100 MΩ min.
- Withstanding voltage: 500 VAC/minute
- Applicable wire: Conductor size/ AWG #32 to #26  
Insulation O.D./ 0.4 to 1.0 mm

\*In using the products, refer to "Handling Precaution for Terminal and Connector" described on our website (Technical documents of Product information page)

\* Contact JST for details.

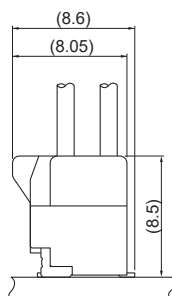
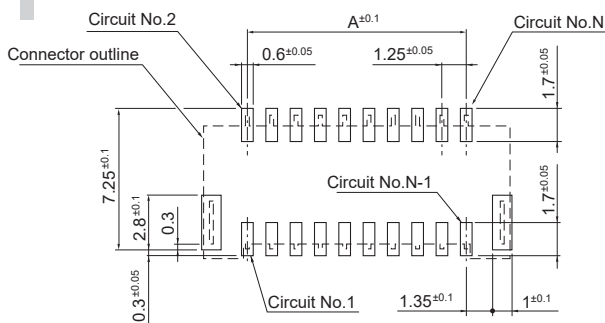
\* RoHS2 compliance.

## Standards

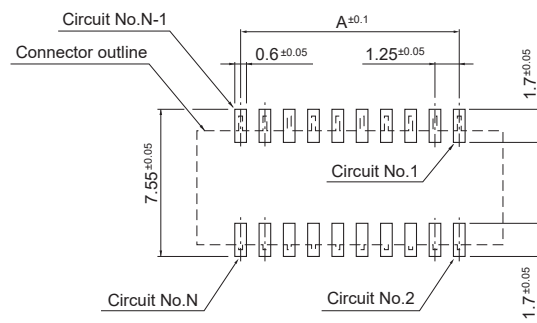
Recognized E60389

## PC board layout and Assembly layout

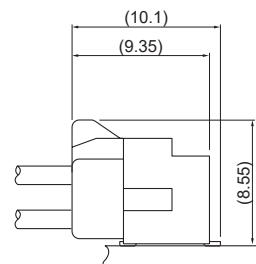
### Top entry type



### Side entry type



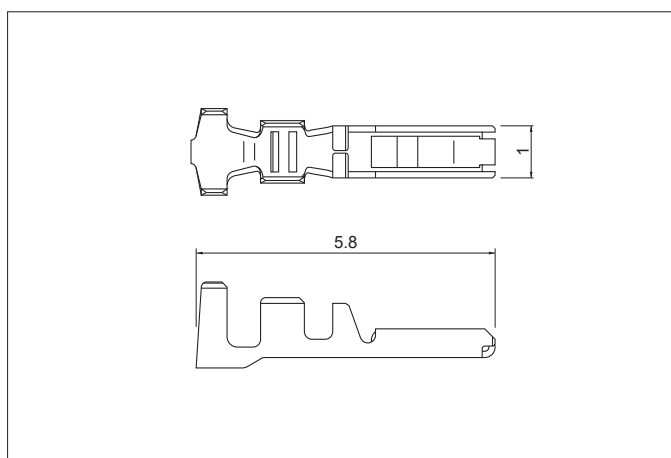
(Mating side faces to this side)



Note: 1. The above figure is the figure viewed from the connector mounting side  
2. Tolerance for the centers of pattern on PCB is ±0.05, and shall be not cumulative more than ±0.1.  
The dimensions above should serve as a guideline. Contact JST for details.

# GHD CONNECTOR/GOLD-PLATED PRODUCT

## Contact



Model No.	Applicable wire		Insulation O.D. (mm)	Q'ty/reel
	mm <sup>2</sup>	AWG#		
<b>SGHD-002GA-P0.2</b>	0.05 ~ 0.13	30~26	0.76~1.0	20,000
<b>SGHD-003GA-P0.2</b>	0.032~0.08	32~28	0.4 ~0.8	28,000

### Material and Finish

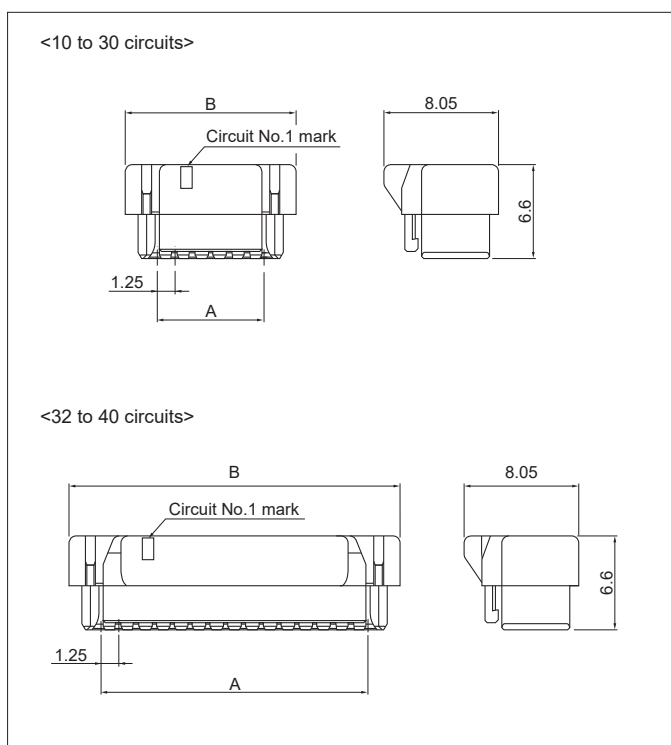
Phosphor bronze, nickel-undercoated, selective gold-plated

### RoHS2 compliance

Contact	Crimping machine	Applicator		
		Crimp applicator	Dies	Crimp applicator with dies
<b>SGHD-002GA-P0.2</b>	AP-K2N	MKS-L-10-3	MK/SSHL-002-02	APLMK SSSL002-02
		—	—	—
<b>SGHD-003GA-P0.2</b>	—	MKS-L-10-3	MK/SGHD-003-02	APLMK SGHD003-02
		—	—	—

Note: Contact JST for fully automatic crimping applicator.

## Housing



No. of circuits	Model No.	Dimensions (mm)		Q'ty/bag
		A	B	
10	<b>GHDR-10V-S-1 (F)</b>	5.00	9.50	1,000
12	<b>GHDR-12V-S-1 (F)</b>	6.25	10.75	1,000
14	<b>GHDR-14V-S-1 (F)</b>	7.50	12.00	1,000
16	<b>GHDR-16V-S-1 (F)</b>	8.75	13.25	1,000
18	<b>GHDR-18V-S-1 (F)</b>	10.00	14.50	1,000
20	<b>GHDR-20V-S-1 (F)</b>	11.25	15.75	1,000
22	<b>GHDR-22V-S-1 (F)</b>	12.50	17.00	1,000
24	<b>GHDR-24V-S-1 (F)</b>	13.75	18.25	1,000
26	<b>GHDR-26V-S-1 (F)</b>	15.00	19.50	1,000
28	<b>GHDR-28V-S-1 (F)</b>	16.25	20.75	1,000
30	<b>GHDR-30V-S-1 (F)</b>	17.50	22.00	1,000
32	<b>GHDR-32V-S-1 (F)</b>	18.75	23.25	1,000
36	<b>GHDR-36V-S-1 (F)</b>	21.25	25.75	1,000
38	<b>GHDR-38V-S-1 (F)</b>	22.50	27.00	1,000
40	<b>GHDR-40V-S-1 (F)</b>	23.75	28.25	1,000

### Material

PBT, UL94V-0, natural (white)

### RoHS2 compliance

<For reference> As the color identification, the following alphabet shall be put in the underlined part. For availability, delivery and minimum order quantity, contact JST.

ex. **GHDR-20V-S-1 (F)**

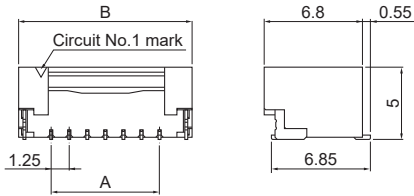
S...natural (white) LE...light blue MG...moss green  
DPK...dark pink

# GHD CONNECTOR/GOLD-PLATED PRODUCT

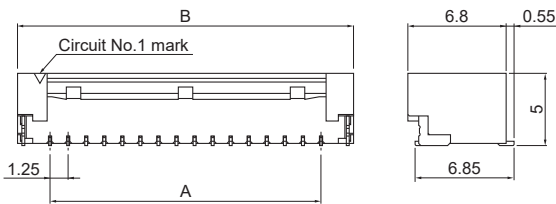
## Header

### Top entry type

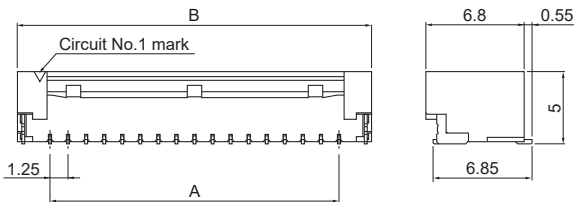
<10 to 14 circuits>



<16 to 32 circuits>

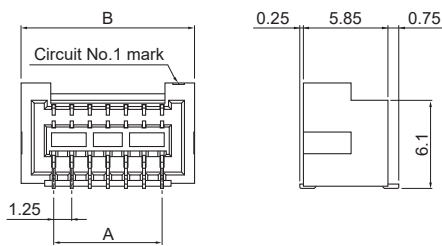


<36 to 40 circuits>

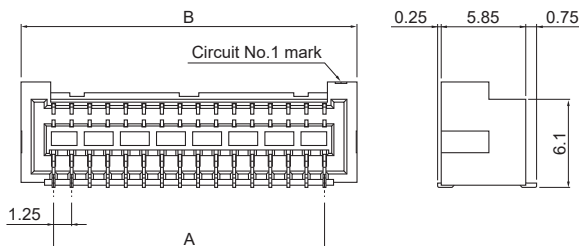


### Side entry type

<10 to 14 circuits>



<16 to 40 circuits>



No. of circuits	Model No.	Dimensions (mm)		Q'ty/ reel
		A	B	
10	<b>BM10B-GHDS-G-TF</b>	5.00	9.50	1,250
12	<b>BM12B-GHDS-G-TF</b>	6.25	10.75	1,250
14	<b>BM14B-GHDS-G-TF</b>	7.50	12.00	1,250
16	<b>BM16B-GHDS-G-TF</b>	8.75	13.25	1,250
18	<b>BM18B-GHDS-G-TF</b>	10.00	14.50	1,250
20	<b>BM20B-GHDS-G-TF</b>	11.25	15.75	1,250
22	<b>BM22B-GHDS-G-TF</b>	12.50	17.00	1,250
24	<b>BM24B-GHDS-G-TF</b>	13.75	18.25	1,250
26	<b>BM26B-GHDS-G-TF</b>	15.00	19.50	1,250
28	<b>BM28B-GHDS-G-TF</b>	16.25	20.75	1,250
30	<b>BM30B-GHDS-G-TF</b>	17.50	22.00	1,250
32	<b>BM32B-GHDS-G-TF</b>	18.75	23.25	1,250
36	<b>BM36B-GHDS-G-TF</b>	21.25	25.75	1,250
38	<b>BM38B-GHDS-G-TF</b>	22.50	27.00	1,250
40	<b>BM40B-GHDS-G-TF</b>	23.75	28.25	1,250

#### Material and Finish

Contact: Phosphor bronze, nickel-undercoated, gold-plated

Housing: PA 9T, UL94V-0, natural (ivory)

Reinforcement: Brass, copper-undercoated, tin-plated (reflow treatment)

**RoHS2 compliance** This product displays (LF)(SN) on a label.

<For reference> As the color identification, the following alphabet shall be put in the underlined part. For availability, delivery and minimum order quantity, contact JST.

ex. **BM20B-GHDS-G-TF**

S...natural (white) LE...light blue MG...moss green

DPK...dark pink

### PA 9T type

No. of circuits	Model No.	Dimensions (mm)		Q'ty/ reel
		A	B	
10	<b>SM10B-GHDS-A-GAN-TF</b>	5.00	9.50	900
12	<b>SM12B-GHDS-A-GAN-TF</b>	6.25	10.75	900
14	<b>SM14B-GHDS-A-GAN-TF</b>	7.50	12.00	900
16	<b>SM16B-GHDS-A-GAN-TF</b>	8.75	13.25	900
18	<b>SM18B-GHDS-A-GAN-TF</b>	10.00	14.50	900
20	<b>SM20B-GHDS-A-GAN-TF</b>	11.25	15.75	900
22	<b>SM22B-GHDS-A-GAN-TF</b>	12.50	17.00	900
24	<b>SM24B-GHDS-A-GAN-TF</b>	13.75	18.25	900
26	<b>SM26B-GHDS-A-GAN-TF</b>	15.00	19.50	900
28	<b>SM28B-GHDS-A-GAN-TF</b>	16.25	20.75	900
30	<b>SM30B-GHDS-A-GAN-TF</b>	17.50	22.00	900
36	<b>SM36B-GHDS-A-GAN-TF</b>	21.25	25.75	900
38	<b>SM38B-GHDS-A-GAN-TF</b>	22.50	27.00	900
40	<b>SM40B-GHDS-A-GAN-TF</b>	23.75	28.25	900

#### Material and Finish

Contact: Phosphor bronze, nickel-undercoated, selective gold-plated

Housing: PA 9T, UL94V-0, natural (ivory)

**RoHS2 compliance**

### LCP type

No. of circuits	Model No.	Dimensions (mm)		Q'ty/ reel
		A	B	
12	<b>SM12B-GHDS-GAN-TF</b>	6.25	10.75	900
20	<b>SM20B-GHDS-GAN-TF</b>	11.25	15.75	900
22	<b>SM22B-GHDS-GAN-TF</b>	12.50	17.00	900
30	<b>SM30B-GHDS-GAN-TF</b>	17.50	22.00	900

#### Material and Finish

Contact: Phosphor bronze, nickel-undercoated, selective gold-plated

Housing: LCP, UL94V-0, natural (ivory)

**RoHS2 compliance**

## X-ON Electronics

Largest Supplier of Electrical and Electronic Components

*Click to view similar products for [Headers & Wire Housings](#) category:*

*Click to view products by [JST](#) manufacturer:*

Other Similar products are found below :

[0015917161](#) [0022155065](#) [57102-F02-18ULF](#) [58102-G61-06LF](#) [582553-1](#) [01.001.5753.1](#) [0050291907](#) [02.125.8002.8](#) [609-3404](#) [61062-3](#)  
[CSU011177004](#) [622-0430](#) [622-3653LF](#) [63453-116](#) [636-1030](#) [636-1427](#) [636-3427](#) [636-4007](#) [641938-9](#) [65495-038](#) [65692-001LF](#) [65781-018](#)  
[65781-047](#) [65817-010LF](#) [65817-015LF](#) [67095-007LF](#) [67601157](#) [68631-112](#) [68645-018](#) [699319-000](#) [70.362.1628.0](#) [70-4210](#) [70-4226B](#) [70-](#)  
[4853B](#) [71.350.2428.0](#) [733-134](#) [733-162](#) [MHR-64-VUAL](#) [80.063.4001.1](#) [800-90-001-10-001000](#) [801-43-002-10-013000](#) [801-43-006-10-](#)  
[002000](#) [803-43-024-10-001000](#) [803-93-012-10-001000](#) [8-1437020-4](#) [819-22-004-30-001101](#) [820-22-006-30-001101](#) [820-22-008-30-001101](#)  
[821-22-002-10-001101](#) [821-22-003-10-002101](#)