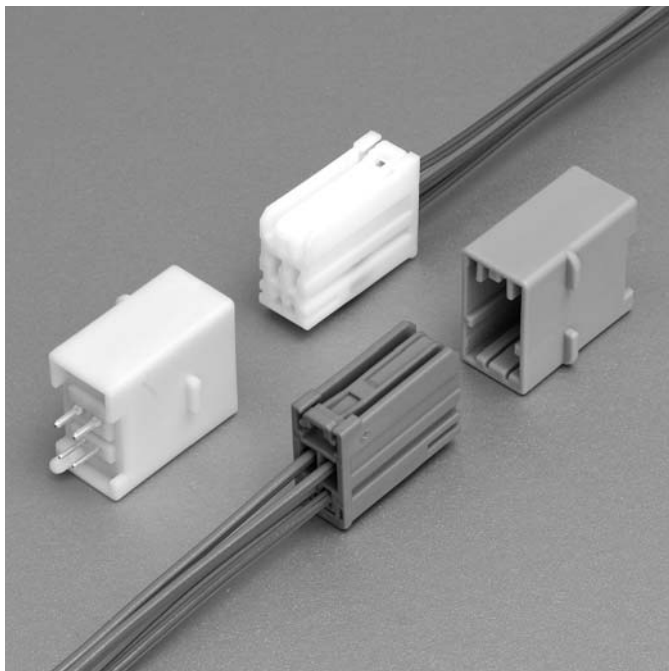


HSDP CONNECTOR

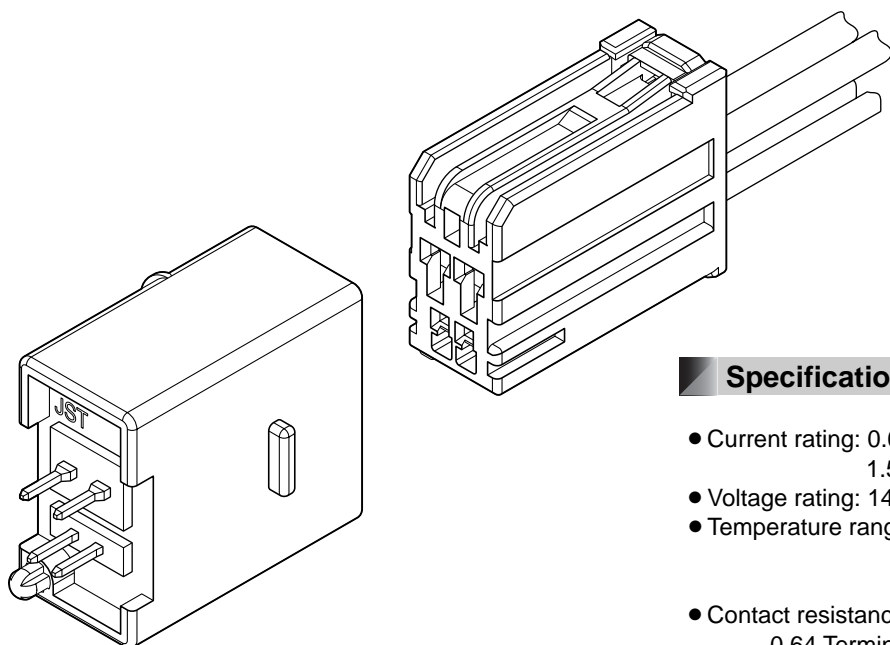
Board-to-wire



0.64/1.5 Hybrid circuits connector

Features

- Key option is available.
- Small Packaging with Signal and Power

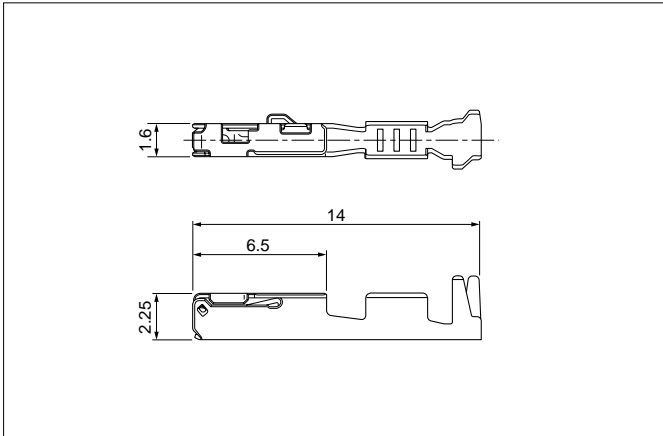


Specifications

- Current rating: 0.64 Terminal/ 5 A AC, DC max.
1.5 Terminal/ 14 A AC, DC max.
- Voltage rating: 14 V AC, DC
- Temperature range: -40°C to +85°C
(including temperature rise in applying electrical current)
- Contact resistance:
0.64 Terminal; Initial value/ 15 mΩ max.
After environmental tests/ 15 mΩ max.
1.5 Terminal; Initial value/ 8.0 mΩ max.
After environmental tests/ 8.0 mΩ max.
- Insulation resistance: 100 MΩ min.
- Withstanding voltage: 1,000 VAC/minute
- Applicable wire: AVSS/ CAVS/ TXL/ ISO
0.3 mm² to 0.85 mm²

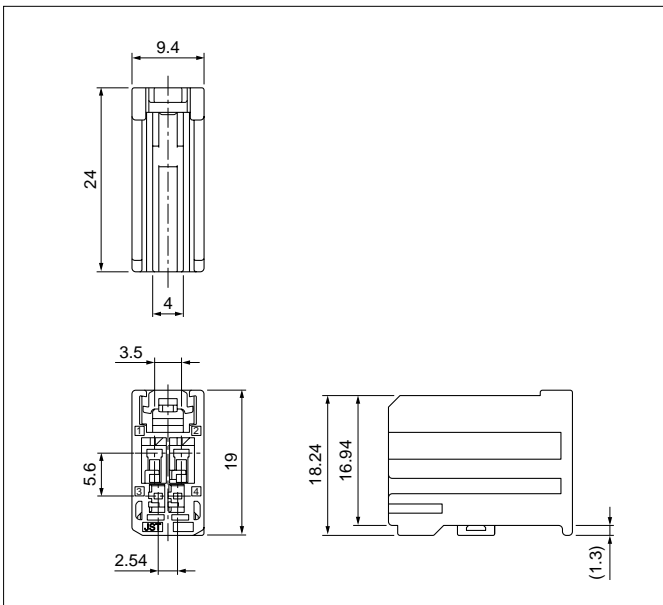
- * Compliant with ELV/RoHS.
- * Contact JST for details.

Female terminal



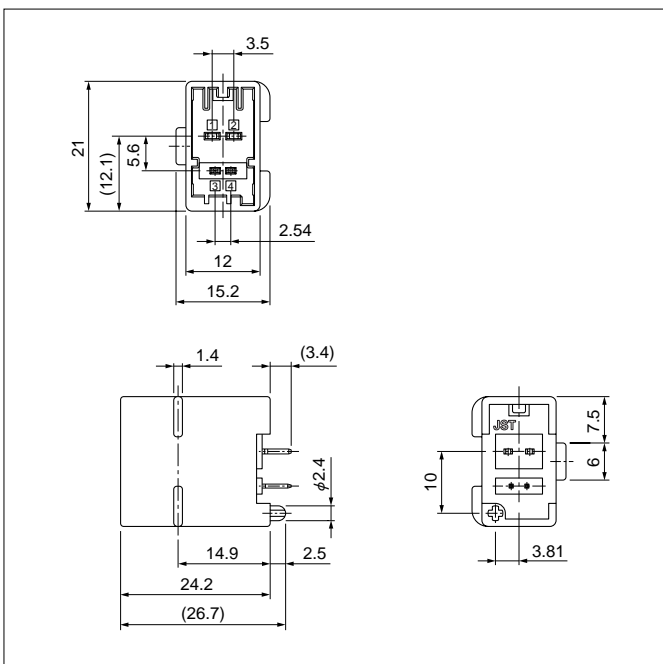
| Model No. | Applicable wire range | | Q'ty/reel |
|---|------------------------------|----------------------|-----------|
| | Conductor (mm ²) | Insulation O.D. (mm) | |
| ①SAIT-A03T-M064 | 0.3 to 0.5 | ≤1.9 | 6,500 |
| ①SAIT-A02T-M064 | 0.75 to 0.85 | ≤1.9 | 6,500 |
| ②GT150 or equivalent Terminal (Customer specified Terminal) | | | |
| Material and Finish | | | |
| ①Copper alloy, tin-plated (reflow treatment) | | | |
| ②Copper alloy (refer to Delphi connection Systems for detail) | | | |

Female connector



| Circuits | Option | Model No. | Q'ty/box | Housing Color |
|---------------------|--------|----------------------|----------|---------------|
| 4 | B | HSDPPB-04-2BH | 4,000 | Gray |
| | D | HSDPPB-04-2DM | 4,000 | Green |
| | F | HSDPPB-04-2FS | 4,000 | Natural |
| Material and Finish | | | | |
| Housing: PBT | | | | |
| TPA: PBT, Blue | | | | |

Male connector



| Circuits | Option | Model No. | Q'ty/box | Housing Color |
|----------------------------------|--------|----------------------|----------|---------------|
| 4 | B | B04B-HSDP-2BH | 1,560 | Gray |
| | D | B04B-HSDP-2DM | 1,560 | Green |
| | F | B04B-HSDP-2FS | 1,560 | Natural |
| Material and Finish | | | | |
| Housing: Glass-filled, PPA | | | | |
| 1.5 Male pin: Brass, tin-plated | | | | |
| 0.64 Male pin: Brass, tin-plated | | | | |

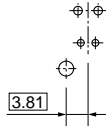
HSDP CONNECTOR

PC board layout, Assembly layout

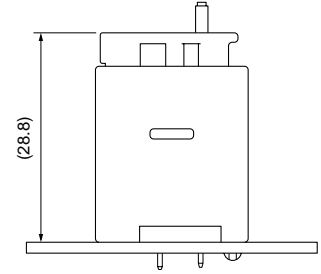
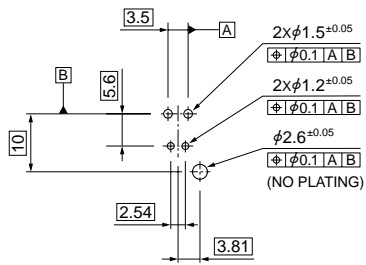
• Option B



• Option D



• Option F



Crimping machine, Applicator

| Strip terminal | Crimping machine | Crimp applicator MKS-L | |
|----------------|------------------|------------------------|----------------------------|
| | | Dies | Crimp applicator with dies |
| SAIT-A03T-M064 | AP-K2N | MK/SAIT-A03-064 | APLMK SAIT-A03-064 |
| SAIT-A02T-M064 | | MK/SAIT-A02-064 | APLMK SAIT-A02-064 |

Note: When crimping operation is conducted using an applicator and die set other than the above, JST cannot guarantee the performance of the terminal.

X-ON Electronics

Largest Supplier of Electrical and Electronic Components

Click to view similar products for [Automotive Connectors](#) category:

Click to view products by [JST](#) manufacturer:

Other Similar products are found below :

[003-018-000](#) [60403001](#) [60993906-B](#) [M902-2131](#) [M902-2161](#) [M902-2344](#) [72.330.1035.1](#) [73.353.4028.0](#) [F119300-B](#) [F166900](#) [F258300-B](#)
[F358300-B](#) [F407400](#) [F444110](#) [F487000](#) [F509500B-B](#) [827153-1](#) [8N1515-32-24P](#) [9-1326729-8](#) [925474-1](#) [928905-1](#) [964562-4](#) [968782-1](#)
[GT17SA-8DS-HU](#) [98891-1012](#) [98947-1016](#) [12004147](#) [12004475-L](#) [12010290](#) [12015454](#) [12020219-B](#) [12041318-B](#) [12052225-L](#) [12052466](#)
[12064869](#) [12004327-B](#) [12015308](#) [12015384](#) [12015909](#) [1-21030-1](#) [12041254](#) [12041318](#) [12047946-B](#) [12047957](#) [12047957-L](#) [12059473](#)
[12066261](#) [12110546](#) [12110546-B](#) [12131792](#)