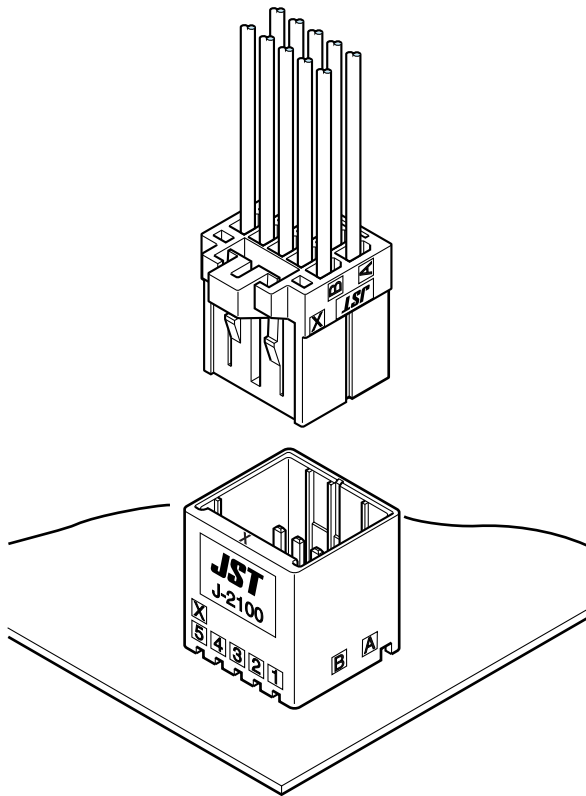


JFA CONNECTOR J2000 SERIES

2.5mm pitch/Disconnectable Crimp style connectors(Wire-to-board/Wire-to-wire)



2.5 mm pitch connector for miniaturization of electronic equipment.

Center locking or side locking options can be used depending on the required application.

Receptacle contacts are designed to be common with all JFA connector J2000 series.

- Double-spring construction
- 2 kinds of locking method
- Housing lance
- Clear "click feeling"

Specifications

- Current rating: 4.6 A max. AC, DC (3 circuits/AWG #20)
- Voltage rating: 250 VAC, DC
- Temperature range: -55°C to +105°C
(including temperature rise in applying electrical current)
- Withstanding voltage: 1,500 VAC/minute
- Applicable wire: AWG #28 to #20 (0.08 to 0.75 mm²)
- Applicable PC board thickness: 1.6 mm

*In using the products, refer to "Handling Precaution for Terminal and Connector" described on our website (Technical documents of Product information page).

*Contact JST for details.

*RoHS2 compliance.

Current rating

Unit: A

Circuits	Wire size (AWG)				
	#20	#22	#24	#26	#28
3	4.6	4.4	3.4	3.0	2.4
4	4.5	4.3	3.2	2.8	2.3
6	4.3	4.1	2.8	2.6	2.1
8	4.1	3.6	2.6	2.3	1.9
10	3.9	3.4	2.5	2.2	1.8
12	3.6	3.1	2.4	2.0	1.6
16	3.2	2.8	2.2	1.8	1.4
20	2.9	2.5	2.1	1.7	1.3

Standards

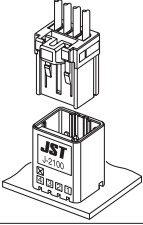
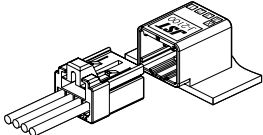
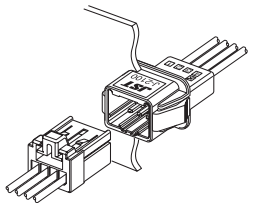
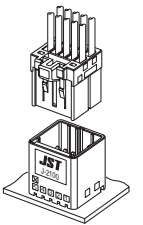
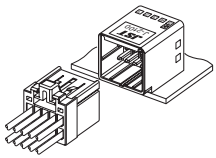
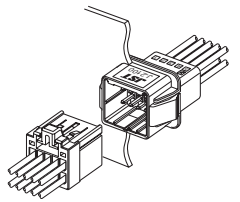
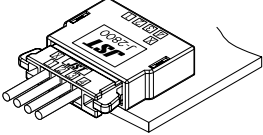
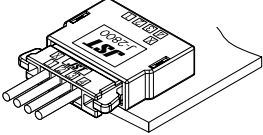

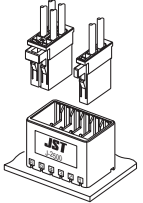
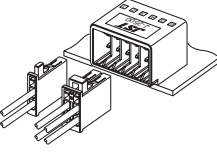
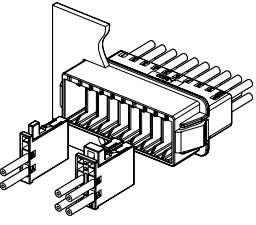
 Recognized E60389

 J 50209682

JFA CONNECTOR/J2000 SERIES

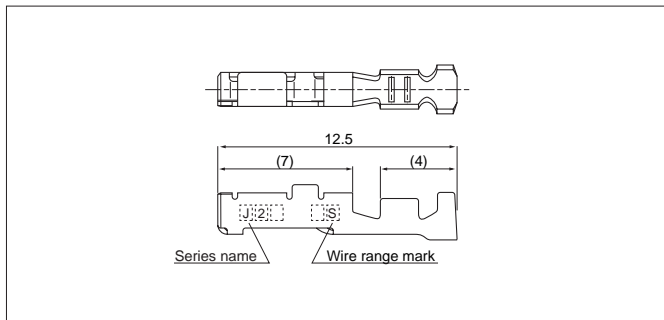
List of J2000 series products

2.5mm pitch / Voltage rating 250V AC, DC

Type	Wire-to-board		Wire-to-wire	
	Top entry type	Side entry type	Panel mounting type	
Center locking type	J2100 Single-row type			
	Circuits	3, 4	3, 4	3, 4
	J2100 Double-row type			
	Circuits	6, 8, 10, 12, 16, 20	6, 8, 10, 12, 16, 20	6, 8, 10, 12, 16, 20
Side locking type	J2800 Single-row type			
	Circuits		4	
	J2200 Double-row type			
	Circuits		10	
Common type for sensors	J2300			
	Circuits			Output 10 / Input 24
Module type	J2500			
	Circuits	12, 20	12, 20	20

JFA CONNECTOR/J2000 SERIES

Receptacle contact



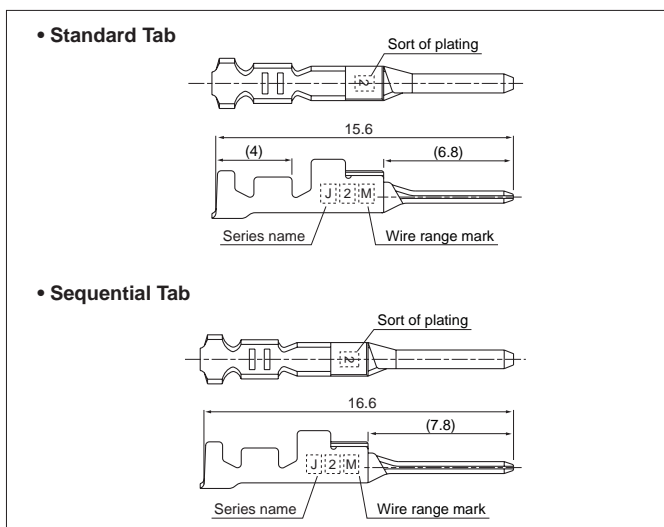
Strip contact Model No.	Applicable wire			Insulation O.D. (mm)	Q'ty/reel
	Nominal	mm ²	AWG#		
SJ2F-002GF-P1.0	S	0.08~0.20	28~24	0.88~1.43	6,000
SJ2F-01GF-P1.0	M	0.20~0.50	24~20	1.11~1.53	6,000
SJ2F-21GF-P1.0	L	0.30~0.75	—	1.30~1.90	5,000

Material and Finish

Copper alloy (superior conductivity), nickel-undercoated, selective gold-plated

RoHS2 compliance

Tab contact



Strip contact Model No.	Applicable wire			Insulation O.D. (mm)	Q'ty/reel
	Nominal	mm ²	AWG#		
SJ2M-002GF-M1.0N	S	0.08~0.20	28~24	0.88~1.43	5,500
SJ2M-01GF-M1.0N	M	0.20~0.50	24~20	1.11~1.53	5,500
SJ2M-21GF-M1.0N	L	0.30~0.75	—	1.30~1.90	5,000
SJ2M-01GF-M1.0S	Sequential	0.20~0.50	24~20	1.11~1.53	5,500

Material and Finish

Copper alloy (superior conductivity), nickel-undercoated, selective gold-plated

RoHS2 compliance

Crimping machine, Applicator

Strip contact Model No.	Crimping machine	Crimp applicator	Dies	Crimp applicator with dies	Hand tools
SJ2F-002GF-P1.0 SJ2M-002GF-M1.0N	AP-K2N	MKS-L	MK/SJ2F/M-002-10	APLMK SJ2F/M002-10	YRS-8851
SJ2F-21GF-P1.0 SJ2M-21GF-M1.0N	AP-K2N	MKS-L	MK/SJ2F/M-21-10	APLMK SJ2F/M21-10	YRF-1120
		*MKS-SC-J2	SC/SJ2F/M-21-10	APLSC SJ2F/M21-10	

Strip contact Model No.	Crimping machine	Crimp applicator	Dies	Crimp applicator with dies	Hand tools
SJ2F-01GF-P1.0 SJ2M-01GF-M1.0N SJ2M-01GF-M1.0S	AP-K2N	MKS-L	MK/SJ2F/M-01-10	APLMK SJ2F/M01-10	YRS-8861
		*MKS-SC-J2	SC/SJ2F/M-01-10	APLSC SJ2F/M01-10	

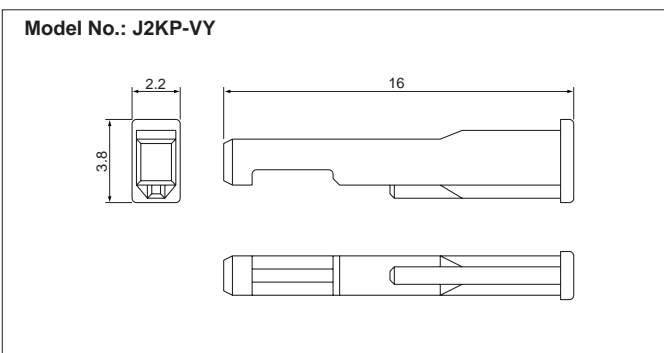
• Extraction tool for J2000 series: EJ-JFAJ2N

• Refer to 'Hand tools' of this catalog category for details of YRK series.

Note 1.*: Strip-crimp applicator

2. Contact JST for fully automatic crimping applicator.

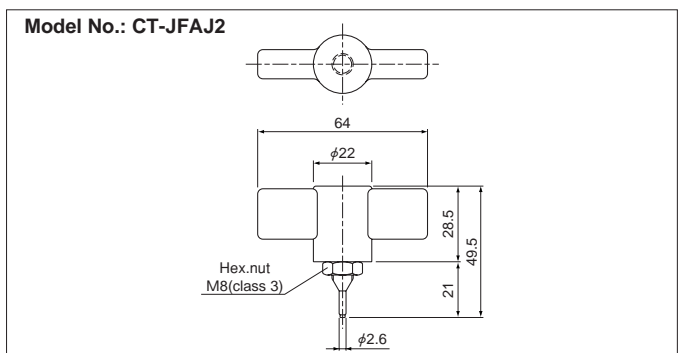
Keying plug



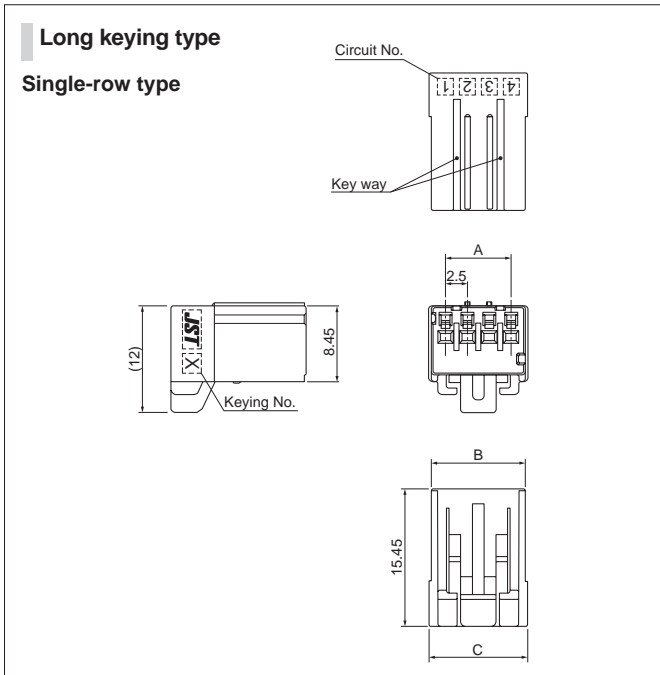
RoHS2 compliance

3 **JST**

Tab contact cutting tool



Receptacle housing (Center locking type)



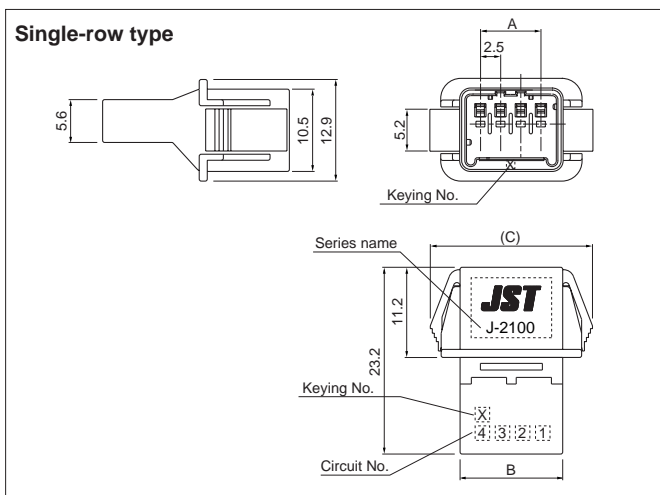
Circuits	Keying	Model No.	Dimensions (mm)			Q'ty/bag
			A	B	C	
3	X	J21SF-03V-KX-L	5.0	8.3	8.9	400
	Y	J21SF-03V-KY-L	5.0	8.3	8.9	400
4	X	J21SF-04V-KX-L	7.5	10.8	11.4	400
	Y	J21SF-04V-KY-L	7.5	10.8	11.4	400

Material

Glass-filled PBT, UL94V-0, black

RoHS2 compliance

Tab housing (Panel mounting type)



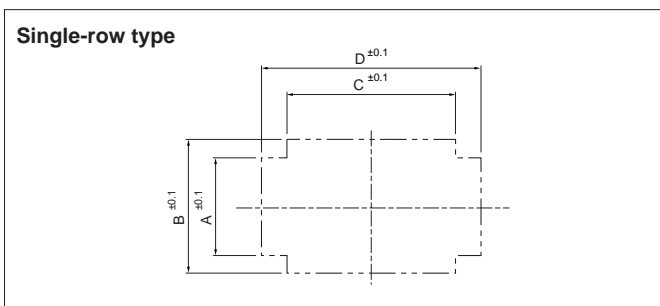
Circuits	Keying	Model No.	Dimensions (mm)			Q'ty/bag
			A	B	(C)	
3	X	J21SPM-03V-KX	5.0	10.2	17.6	400
	Y	J21SPM-03V-KY	5.0	10.2	17.6	400
4	X	J21SPM-04V-KX	7.5	12.7	20.1	400
	Y	J21SPM-04V-KY	7.5	12.7	20.1	400

Material

Glass-filled PBT, UL94V-0, black

RoHS2 compliance

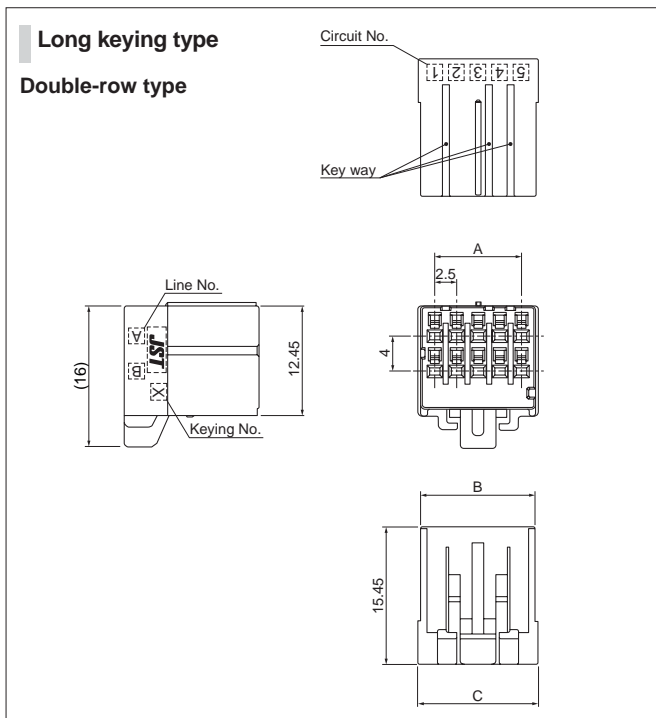
Panel layout



Circuits	Dimensions (mm)			
	A	B	C	D
3	7.8	10.8	10.5	15.2
4	7.8	10.8	13.0	17.7

J2000 SERIES/J2100

Receptacle housing (Center locking type)



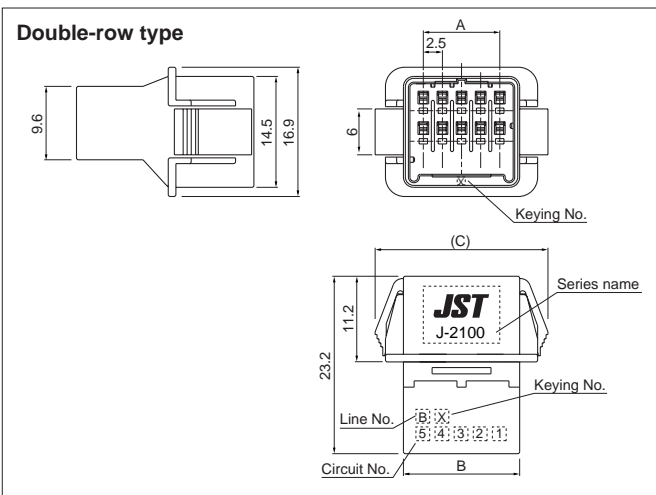
Circuits	Keying	Model No.	Dimensions (mm)			Q'ty/bag
			A	B	C	
6	X	J21DF-06V-KX-L	5.0	8.3	8.9	300
	Y	J21DF-06V-KY-L	5.0	8.3	8.9	300
8	X	J21DF-08V-KX-L	7.5	10.8	11.4	300
	Y	J21DF-08V-KY-L	7.5	10.8	11.4	300
10	X	J21DF-10V-KX-L	10.0	13.3	13.9	200
	Y	J21DF-10V-KY-L	10.0	13.3	13.9	200
12	X	J21DF-12V-KX-L	12.5	15.8	16.4	200
	Y	J21DF-12V-KY-L	12.5	15.8	16.4	200
16	X	J21DF-16V-KX-L	17.5	20.8	21.4	200
	Y	J21DF-16V-KY-L	17.5	20.8	21.4	200
20	X	J21DF-20V-KX-L	22.5	25.8	26.4	100
	Y	J21DF-20V-KY-L	22.5	25.8	26.4	100

Material

Glass-filled PBT, UL94V-0, black

RoHS2 compliance

Tab housing (Panel mounting type)



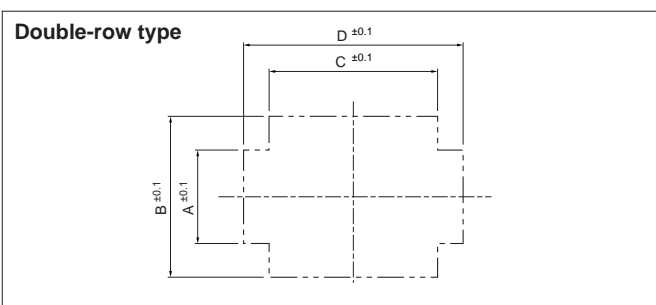
Circuits	Keying	Model No.	Dimensions (mm)			Q'ty/bag
			A	B	(C)	
6	X	J21DPM-06V-KX	5.0	10.2	17.6	300
	Y	J21DPM-06V-KY	5.0	10.2	17.6	300
8	X	J21DPM-08V-KX	7.5	12.7	20.1	200
	Y	J21DPM-08V-KY	7.5	12.7	20.1	200
10	X	J21DPM-10V-KX	10.0	15.2	22.6	200
	Y	J21DPM-10V-KY	10.0	15.2	22.6	200
12	X	J21DPM-12V-KX	12.5	17.7	25.1	200
	Y	J21DPM-12V-KY	12.5	17.7	25.1	200
16	X	J21DPM-16V-KX	17.5	22.7	30.1	200
	Y	J21DPM-16V-KY	17.5	22.7	30.1	200
20	X	J21DPM-20V-KX	22.5	27.7	35.1	150
	Y	J21DPM-20V-KY	22.5	27.7	35.1	150

Material

Glass-filled PBT, UL94V-0, black

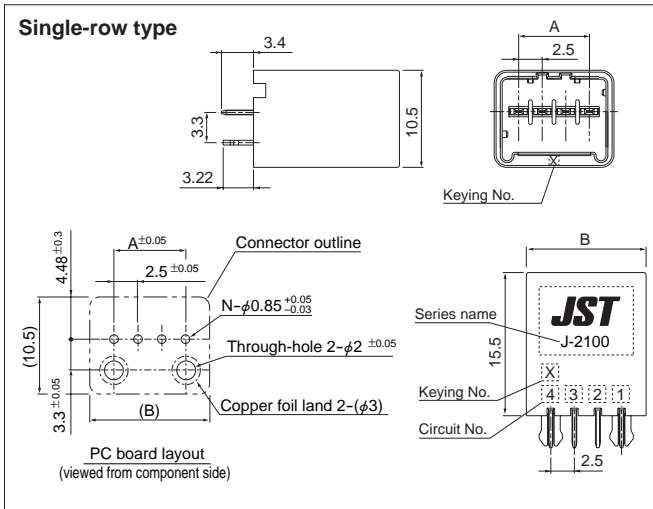
RoHS2 compliance

Panel layout



Circuits	Dimensions (mm)			
	A	B	C	D
6	8.6	14.8	10.5	15.2
8	8.6	14.8	13.0	17.7
10	8.6	14.8	15.5	20.2
12	8.6	14.8	18.0	22.7
16	8.6	14.8	23.0	27.7
20	8.6	14.8	28.0	32.7

Header Top entry type (Center locking type)



Circuits	Keying	Model No.	Dimensions (mm)		Q'ty/box
			A	B	
3	X	B03B-J21SK-GGXR	5.0	10.2	378
	Y	B03B-J21SK-GGYR	5.0	10.2	378
4	X	B04B-J21SK-GGXR	7.5	12.7	306
	Y	B04B-J21SK-GGYR	7.5	12.7	306

Material and Finish

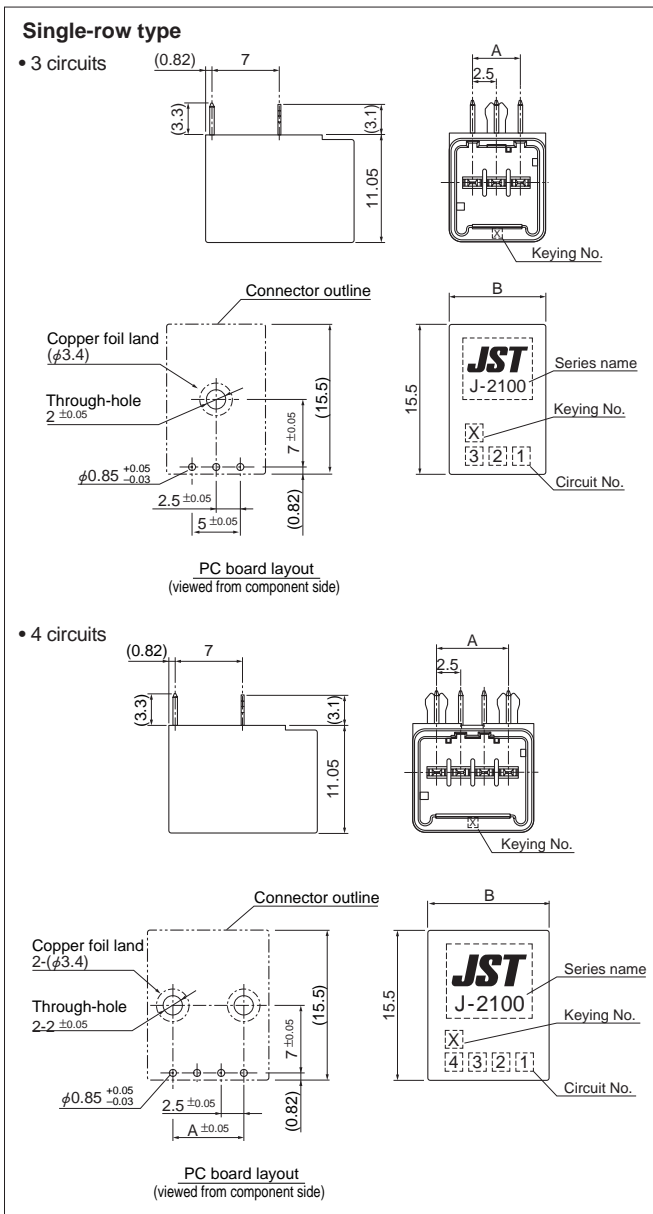
Tab contact: Copper alloy, nickel-undercoated, selective gold-plated

Housing: Glass-filled PBT, UL94V-0, black

Reinforcing metal fixture: Copper alloy, nickel-undercoated, selective gold-plated

RoHS2 compliance This product displays (LF)(AU) on a label.

Header Side entry type (Center locking type)



Circuits	Keying	Model No.	Dimensions (mm)		Q'ty/box
			A	B	
3	X	S03B-J21SK-GGXR	5.0	10.2	294
	Y	S03B-J21SK-GGYR	5.0	10.2	294
4	X	S04B-J21SK-GGXR	7.5	12.7	238
	Y	S04B-J21SK-GGYR	7.5	12.7	238

Material and Finish

Tab contact: Copper alloy, nickel-undercoated, selective gold-plated

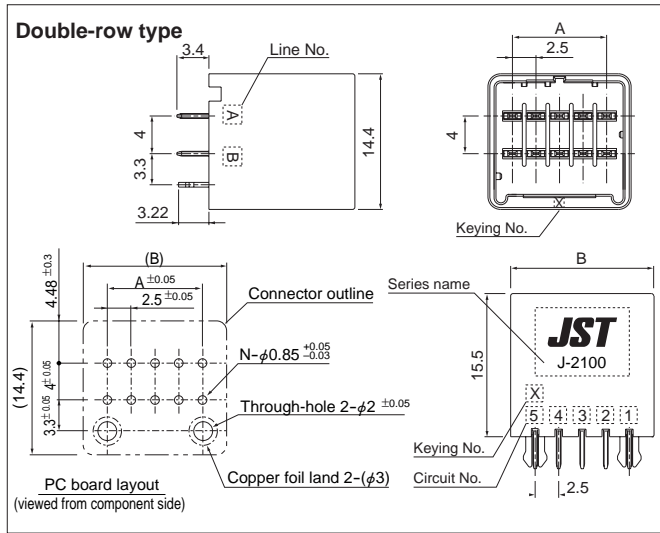
Housing: Glass-filled PBT, UL94V-0, black

Reinforcing metal fixture: Copper alloy, nickel-undercoated, selective gold-plated

RoHS2 compliance This product displays (LF)(AU) on a label.

J2000 SERIES/J2100

Header Top entry type (Center locking type)



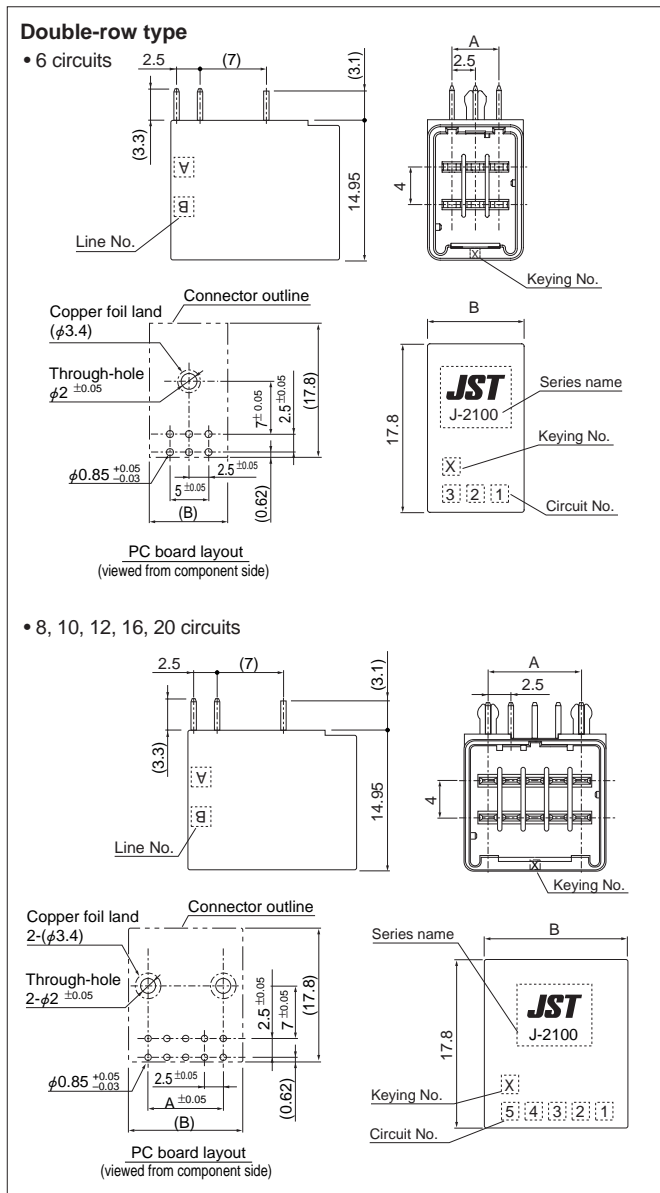
Circuits	Keying	Model No.	Dimensions (mm)		Q'ty/box
			A	B	
6	X	B06B-J21DK-GGXR	5.0	10.2	252
	Y	B06B-J21DK-GGYR	5.0	10.2	252
8	X	B08B-J21DK-GGXR	7.5	12.7	204
	Y	B08B-J21DK-GGYR	7.5	12.7	204
10	X	B10B-J21DK-GGXR	10.0	15.2	168
	Y	B10B-J21DK-GGYR	10.0	15.2	168
12	X	B12B-J21DK-GGXR	12.5	17.7	144
	Y	B12B-J21DK-GGYR	12.5	17.7	144
16	X	B16B-J21DK-GGXR	17.5	22.7	108
	Y	B16B-J21DK-GGYR	17.5	22.7	108
20	X	B20B-J21DK-GGXR	22.5	27.7	84
	Y	B20B-J21DK-GGYR	22.5	27.7	84

Material and Finish

Tab contact: Copper alloy, nickel-undercoated, selective gold-plated
Housing: Glass-filled PBT, UL94V-0, black
Reinforcing metal fixture: Copper alloy, nickel-undercoated, selective gold-plated

RoHS2 compliance This product displays (LF) (AU) on a label.

Header Side entry type (Center locking type)



Circuits	Keying	Model No.	Dimensions (mm)		Q'ty/box
			A	B	
6	X	S06B-J21DK-GGXR	5.0	10.2	252
	Y	S06B-J21DK-GGYR	5.0	10.2	252
8	X	S08B-J21DK-GGXR	7.5	12.7	204
	Y	S08B-J21DK-GGYR	7.5	12.7	204
10	X	S10B-J21DK-GGXR	10.0	15.2	168
	Y	S10B-J21DK-GGYR	10.0	15.2	168
12	X	S12B-J21DK-GGXR	12.5	17.7	144
	Y	S12B-J21DK-GGYR	12.5	17.7	144
16	X	S16B-J21DK-GGXR	17.5	22.7	108
	Y	S16B-J21DK-GGYR	17.5	22.7	108
20	X	S20B-J21DK-GGXR	22.5	27.7	84
	Y	S20B-J21DK-GGYR	22.5	27.7	84

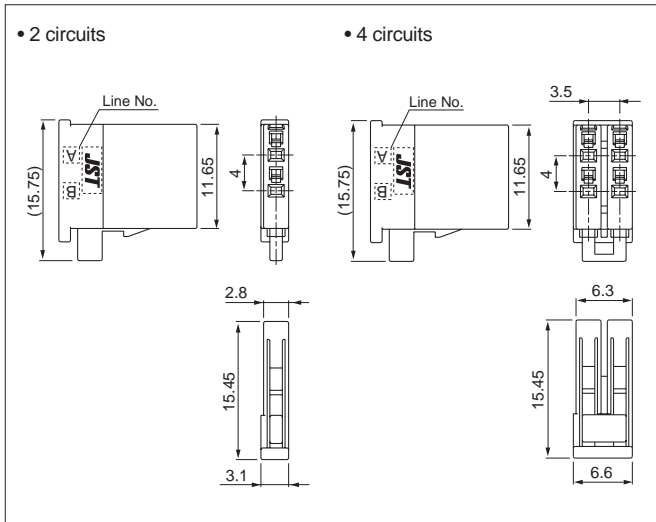
Material and Finish

Tab contact: Copper alloy, nickel-undercoated, selective gold-plated
Housing: Glass-filled PBT, UL94V-0, black
Reinforcing metal fixture: Copper alloy, nickel-undercoated, selective gold-plated

RoHS2 compliance This product displays (LF) (AU) on a label.

J2000 SERIES/J2500

Receptacle housing (Module type)

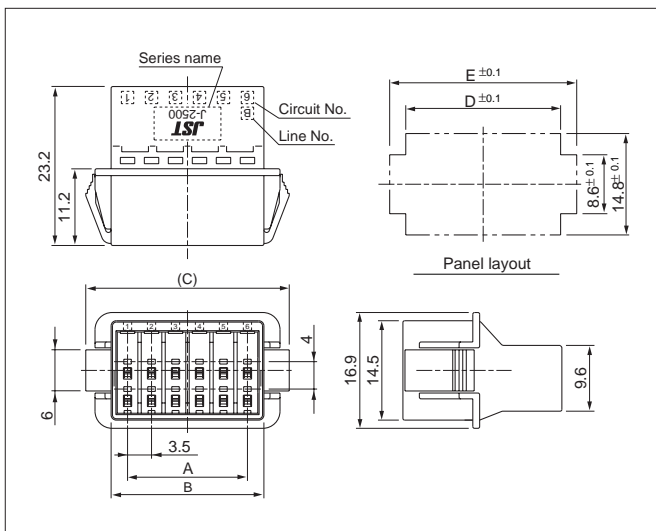


Circuits	Keying	Model No.	Q'ty/bag
2	—	J25MF-02V-K	800
4	—	J25MF-04V-K	400

Material			
Glass-filled PBT, UL94V-0, black			

RoHS2 compliance

Tab housing (Panel mounting type)

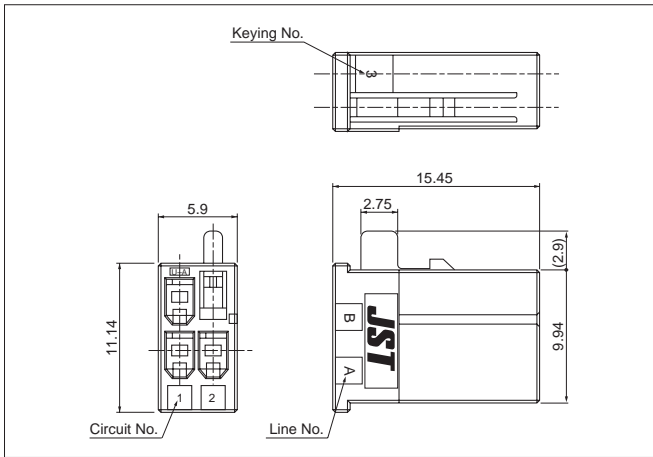


Circuits	Keying	Model No.	Dimensions (mm)					Q'ty/box
			A	B	(C)	D	E	
12	—	J25DPM-12V-K	17.5	22.3	29.7	22.6	27.3	96
20	—	J25DPM-20V-K	31.5	36.3	43.7	36.6	41.3	132

Material							
Glass-filled PBT, UL94V-0, black							

RoHS2 compliance

Receptacle housing (Common type for sensor)

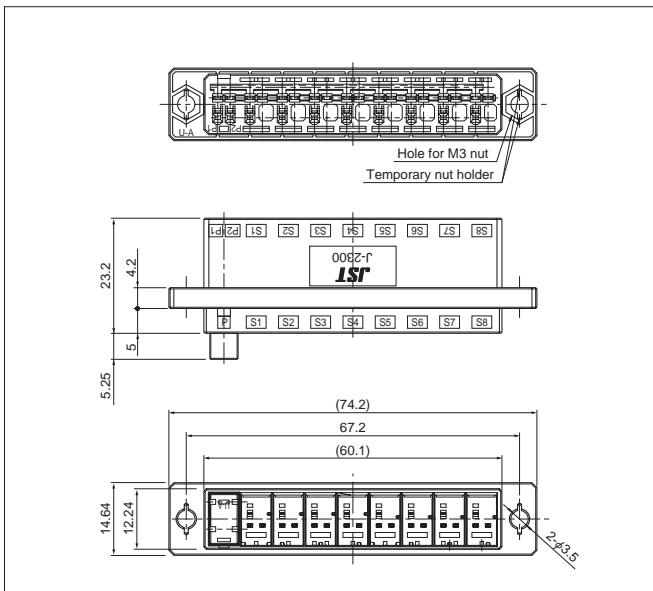


Circuits	Keying	Model No.	Q'ty/box
3	S1	J23CF-03V-KS1	784
	S2	J23CF-03V-KS2	784
	S3	J23CF-03V-KS3	784
	S4	J23CF-03V-KS4	784
	S5	J23CF-03V-KS5	784
	S6	J23CF-03V-KS6	784
	S7	J23CF-03V-KS7	784
	S8	J23CF-03V-KS8	784

Material
Glass-filled PBT, UL94V-0, black

RoHS2 compliance

Tab housing assembly



Circuits	Keying	Model No.	Q'ty/box
Input	24	S1~S8	64
Output	10		

Material and Finish
Tab contact: Copper alloy, nickel-undercoated, selective gold-plated Housing: Glass-filled PBT, UL94V-0, black

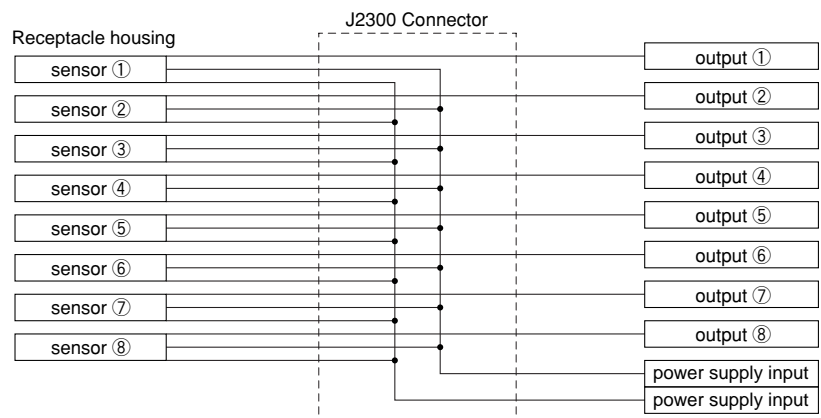
RoHS2 compliance

≧ Current rating

Wire size	Current (A)
#20	6.5
#22	5.5
#24	4.0
#26	3.0
#28	2.0

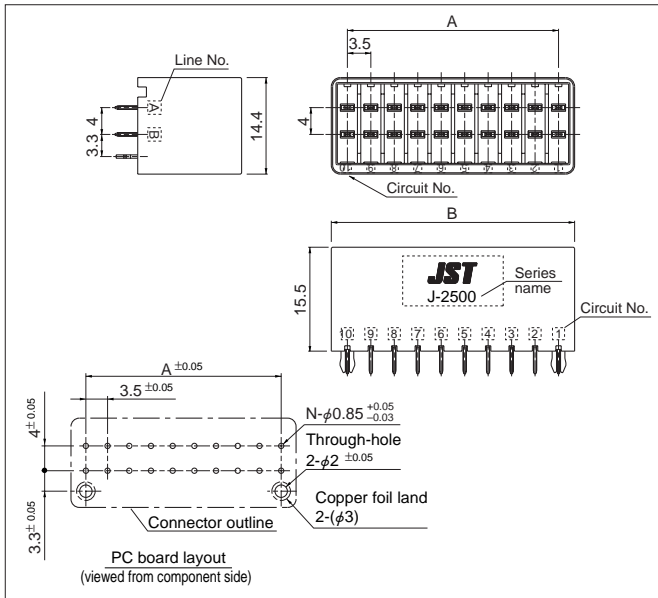
≧ Voltage rating: 250 V AC, DC

≧ Circuit composition



J2000 SERIES/J2500

Header Top entry type (Module type)



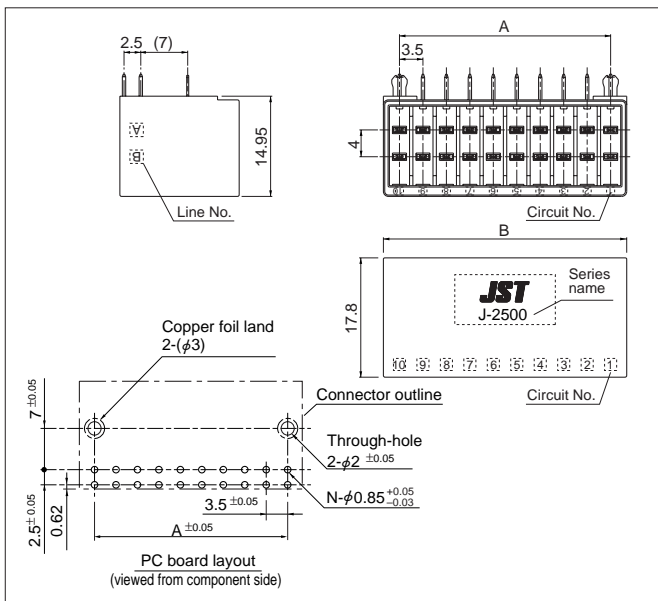
Circuits	Keying	Model No.	Dimensions (mm)		Q'ty/box
			A	B	
12	—	B12B-J25DK-GGR	17.5	22.3	108
20	—	B20B-J25DK-GGR	31.5	36.3	72

Material and Finish

Tab contact: Copper alloy, nickel-undercoated, selective gold-plated
Housing: Glass-filled PBT, UL94V-0, black
Reinforcing metal fixture: Copper alloy, nickel-undercoated, selective gold-plated

RoHS2 compliance This product displays (LF) (AU) on a label.

Header Side entry type (Module type)



Circuits	Keying	Model No.	Dimensions (mm)		Q'ty/box
			A	B	
12	—	S12B-J25DK-GGR	17.5	22.3	108
20	—	S20B-J25DK-GGR	31.5	36.3	72

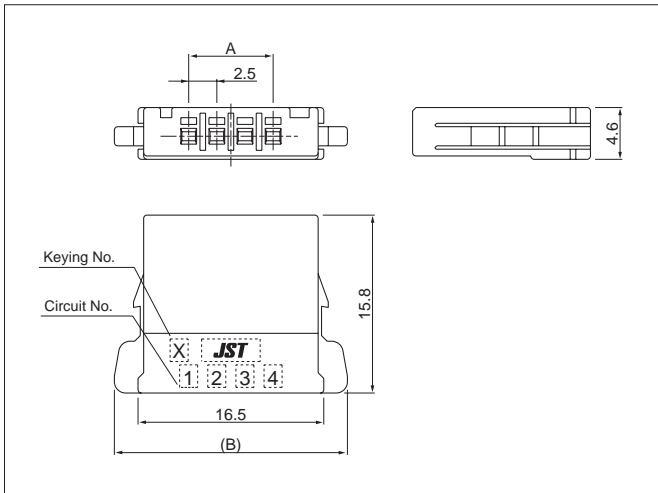
Material and Finish

Tab contact: Copper alloy, nickel-undercoated, selective gold-plated
Housing: Glass-filled PBT, UL94V-0, black
Reinforcing metal fixture: Copper alloy, nickel-undercoated, selective gold-plated

RoHS2 compliance This product displays (LF) (AU) on a label.

J2000 SERIES/J2800

Receptacle housing



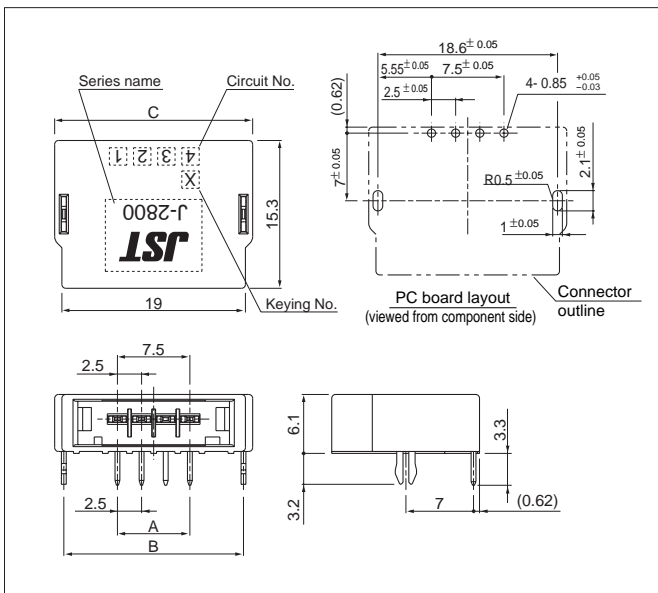
Circuits	Keying	Model No.	Dimensions (mm)		Q'ty/box
			A	(B)	
4	X	J28SF-04V-KX	7.5	20.7	540
	Y	Under planning	—	—	—

Material

PBT, UL94V-0, black

RoHS2 compliance

Header Side entry type (Side locking type)



Circuits	Keying	Model No.	Dimensions (mm)			Q'ty/box
			A	B	C	
4	X	S04B-J28SK-GGXQ1R	7.5	18.6	20.5	280
	Y	Under planning	—	—	—	—

Material and Finish

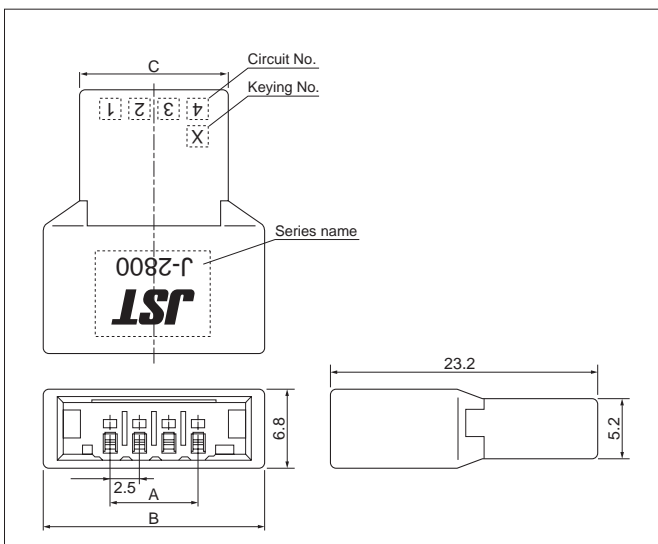
Tab contact: Copper alloy, nickel-undercoated, selective gold-plated

Housing: Glass-filled PBT, UL94V-0, black

Reinforcing metal fixture: Copper alloy, nickel-undercoated, selective gold-plated

RoHS2 compliance This product displays (LF) on a label.
Note: 3rd and 4th pins are sequential pins.

Tab housing (Free hanging type)



Circuits	Keying	Model No.	Dimensions (mm)			Q ty/box
			A	B	C	
4	X	J28SFM-04V-KX	7.5	19	12.7	
	Y	Under planning	7.5	19	12.7	

Material

PBT, UL94V-0, black

RoHS2 compliance

JFA CONNECTOR/2000 SERIES

Model number identification

Receptacle contact

S J2 F - 01 GF - P 1.0

Form: S...Strip form

Series name

Kind of terminal: F...Receptacle contact

Applicable wire: 002...AWG #28 ~ AWG#24
01...AWG #24 ~ AWG#20
21...0.3 to 0.75mm²

Surface finish: GF...Nickel-undercoated, 0.38 μm selective gold-plated

Material: P...Copper alloy

Terminal size

Tab contact

S J2 M - 01 GF - M 1.0 S

Form: S...Strip form

Series name

Kind of terminal: M...Tab contact

Applicable wire: 002...AWG #28 ~ #24
01...AWG #24 ~ #20
21...0.3 to 0.75mm²

Surface finish: GF...Nickel-undercoated, 0.38 μm selective gold-plated

Material: M...Copper alloy

Terminal size

Sequential identification: N...Normal, S...Sequential

Receptacle housing

J21 D F-06 V - K X - L

Series name: J21...Center locking type
J22...Side locking type
J23...Center locking type (for sensor)
J25...Module type
J28...Side locking type (Thin type)

Rows: S...Single-row, D...Double-row, M...Module-row
C...For sensor-row

Type of connector: F...Receptacle housing

No. of circuits: 2, 3, 4, 6, 8, 10, 12, 16, 20

Flammability: UL94V-0

Color indication: K...Black, S...Natural (White), PK...Pink

Keying: X...X-Keying, Y...Y-Keying, ※...S1 ~ S8

Key way type: L...Long keying type
Blank...Short keying type (6 circuits is long keying type)

Tab housing

J21 D P M-06 V - K X

Series name: J21...Center locking type
J22...Side locking type
J25...Module type

Rows: S...Single-row, D...Double-row

Configuration: F...Free hanging, P...Panel mounting

Type of connector: M...Tab housing

No. of circuits: 3, 4, 6, 8, 10, 12, 16, 20

Flammability: UL94V-0

Color indication: K...Black

Keying: X...X-Keying, Y...Y-Keying

Header

S 04 B - J28 S K - GG X Q1 R

PC board mounting direction:
B...Top entry type
S...Side entry type
P...Panel mounting type

No. of circuits: 3, 4, 6, 8, 10, 12, 16, 20

Product name: Header

Series name: J21...Center locking type
J22...Side locking type
J23...Center locking type (for sensor)
J25...Module type
J28...Side locking type (Thin type)

Rows: S...Single-row, D...Double-row

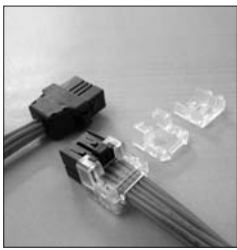
Color indication: K...Black, S...Natural (White), PK...Pink

Surface finish: GG...Nickel-undercoated, 0.38 μm selective gold-plated

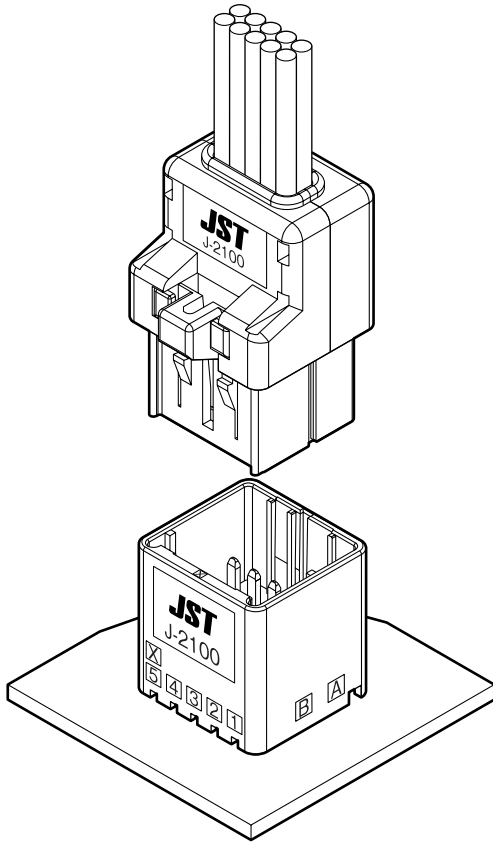
Keying: X...X-Keying, Y...Y-Keying, N...Special keying (S1 ~ S8)

Sequential indication: Q1...Sequential type, Blank...Standard type

Packaging form: R...Tray



JFA CONNECTOR J2000 SERIES PROTECTOR



When applying a current to the connector, the protector prevents foreign substances being inserted into mating part from the wiring side. However it has no function of holding the wire securely.

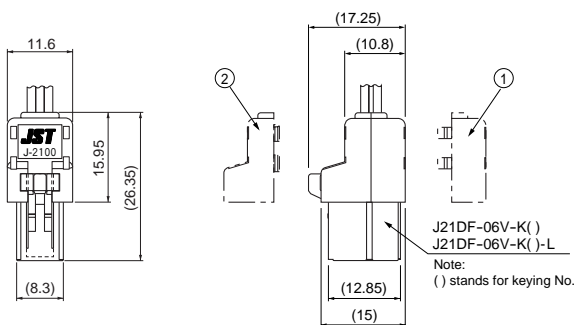
Note: Protector is not approved by UL standards.

Standards

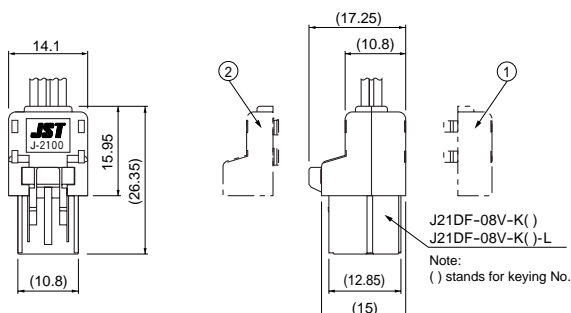
△ J50209682

J2000 Series

• J2100 series for 6 circuits



• J2100 series for 8 circuits



No.	Model No.	Color	Q'ty/box
1	J21PF-06SCA	Transparent	2,250
2	J21PF-06SCB	Transparent	2,100

Material

Polycarbonate

RoHS2 compliance

No.	Model No.	Color	Q'ty/box
1	J21PF-08SCA	Transparent	480
2	J21PF-08SCB	Transparent	270

Material

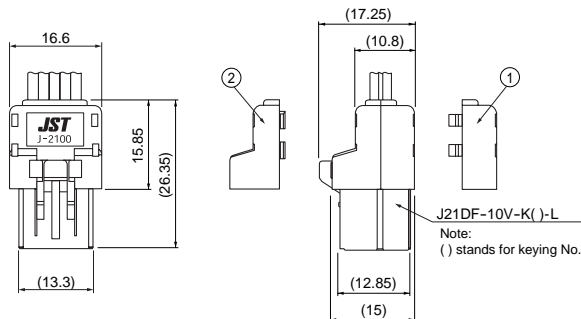
Polycarbonate

RoHS2 compliance

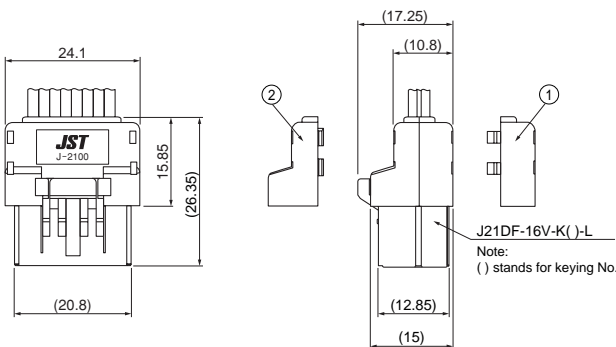
JFA CONNECTOR J2000 SERIES PROTECTOR

J2000 Series

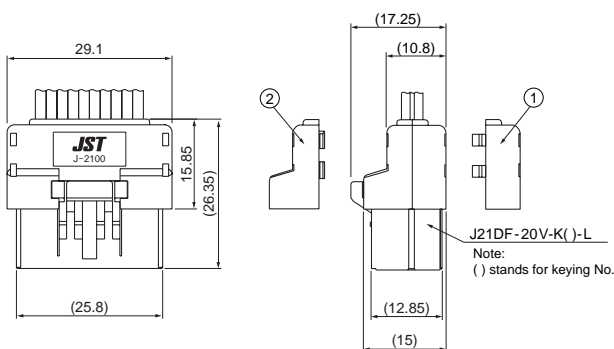
• J2100 series for 10 circuits



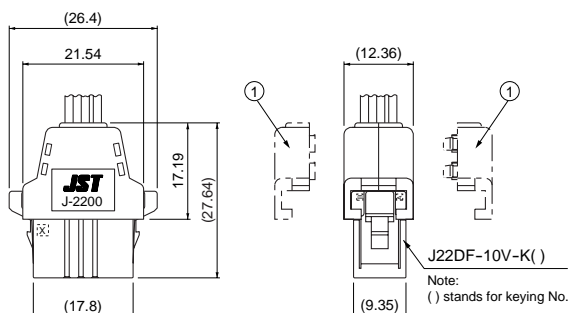
• J2100 series for 16 circuits



• J2100 series for 20 circuits



• J2200 series for 10 circuits



No.	Model No.	Color	Q ty/box
1	J21PF-10VKA	Black	390
	J21PF-10SCA	Transparent	390
2	J21PF-10VKB	Black	234
	J21PF-10SCB	Transparent	234

Material

Black: Glass-filled PBT
Transparent: Polycarbonate

RoHS2 compliance

No.	Model No.	Color	Q ty/box
1	J21PF-16VKA	Black	270
	J21PF-16SCA	Transparent	270
2	J21PF-16VKB	Black	162
	J21PF-16SCB	Transparent	162

Material

Black: Glass-filled PBT
Transparent: Polycarbonate

RoHS2 compliance

No.	Model No.	Color	Q ty/box
1	J21PF-20VKA	Black	210
	J21PF-20SCA	Transparent	210
2	J21PF-20VKB	Black	126
	J21PF-20SCB	Transparent	126

Material

Black: Glass-filled PBT
Transparent: Polycarbonate

RoHS2 compliance

No.	Model No.	Color	Q ty/box
1	J22PF-10VK	Black	420

Material

Glass-filled, PBT

RoHS2 compliance

Note: Two protectors are used.

X-ON Electronics

Largest Supplier of Electrical and Electronic Components

Click to view similar products for [Headers & Wire Housings](#) category:

Click to view products by [JST](#) manufacturer:

Other Similar products are found below :

[0015917161](#) [0022155065](#) [57102-F02-18ULF](#) [58102-G61-06LF](#) [582553-1](#) [01.001.5753.1](#) [0050291907](#) [02.125.8002.8](#) [609-3404](#) [61062-3](#)
[CSU011177004](#) [622-0430](#) [622-3653LF](#) [63453-116](#) [636-1030](#) [636-1427](#) [636-3427](#) [636-4007](#) [641938-9](#) [65495-038](#) [65692-001LF](#) [65781-018](#)
[65781-047](#) [65817-010LF](#) [65817-015LF](#) [67095-007LF](#) [67601157](#) [68631-112](#) [699319-000](#) [70.362.1628.0](#) [70-4210](#) [70-4226B](#) [70-4853B](#) [707-](#)
[5028](#) [71.350.2428.0](#) [733-134](#) [733-162](#) [760-3052](#) [MHR-64-VUAL](#) [80.063.4001.1](#) [800-90-001-10-001000](#) [801-43-002-10-013000](#)
[801-43-006-10-002000](#) [803-43-024-10-001000](#) [803-93-012-10-001000](#) [8-1437020-4](#) [819-22-004-30-001101](#) [820-22-006-30-001101](#)
[820-22-008-30-001101](#) [821-22-002-10-001101](#)