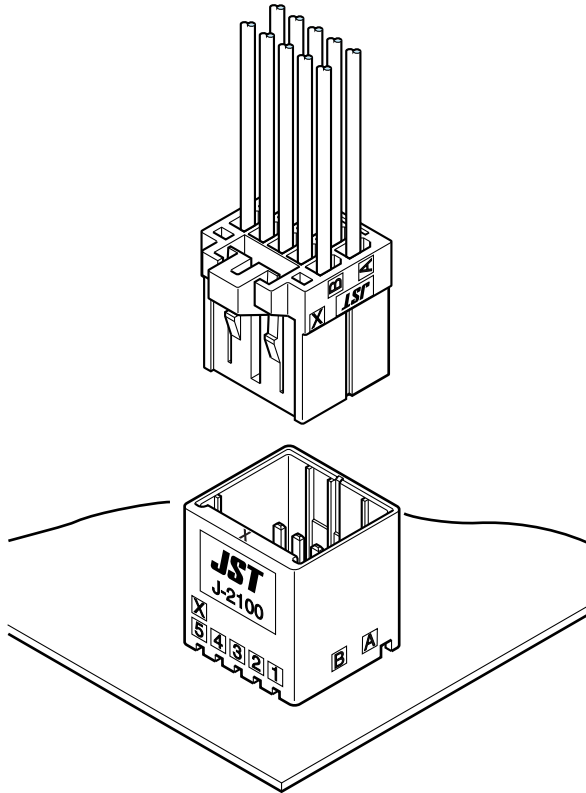


JFA CONNECTOR J2000 SERIES

2.5mm pitch/Disconnectable Crimp style connectors(Wire-to-board/Wire-to-wire)



2.5 mm pitch connector for miniaturization of electronic equipment.

Center locking or side locking options can be used depending on the required application.

Receptacle contacts are designed to be common with all JFA connector J2000 series.

- Double-spring construction
- 2 kinds of locking method
- Housing lance
- Clear "click feeling"

Specifications

- Current rating: 4.6 A max. AC, DC (3 circuits/AWG #20)
- Voltage rating: 250 VAC, DC
- Temperature range: -55°C to +105°C
(including temperature rise in applying electrical current)
- Withstanding voltage: 1,500 VAC/minute
- Applicable wire: AWG #28 to #20 (0.08 to 0.75 mm²)
- Applicable PC board thickness: 1.6 mm

*In using the products, refer to "Handling Precaution for Terminal and Connector" described on our website (Technical documents of Product information page).

*Contact JST for details.

*RoHS2 compliance.

Current rating

Unit: A

| Circuits | Wire size (AWG) | | | | |
|----------|-----------------|-----|-----|-----|-----|
| | #20 | #22 | #24 | #26 | #28 |
| 3 | 4.6 | 4.4 | 3.4 | 3.0 | 2.4 |
| 4 | 4.5 | 4.3 | 3.2 | 2.8 | 2.3 |
| 6 | 4.3 | 4.1 | 2.8 | 2.6 | 2.1 |
| 8 | 4.1 | 3.6 | 2.6 | 2.3 | 1.9 |
| 10 | 3.9 | 3.4 | 2.5 | 2.2 | 1.8 |
| 12 | 3.6 | 3.1 | 2.4 | 2.0 | 1.6 |
| 16 | 3.2 | 2.8 | 2.2 | 1.8 | 1.4 |
| 20 | 2.9 | 2.5 | 2.1 | 1.7 | 1.3 |

Standards

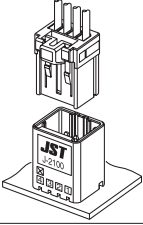
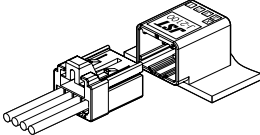
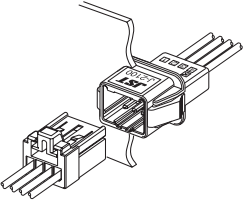
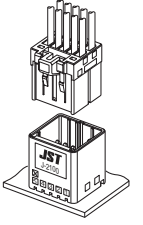
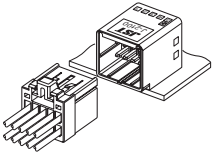
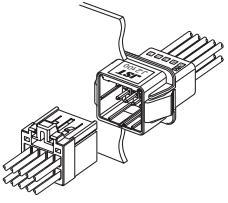
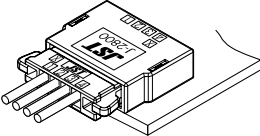
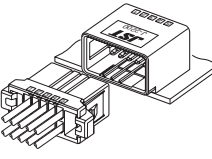
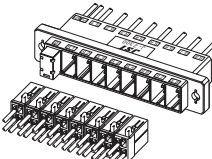
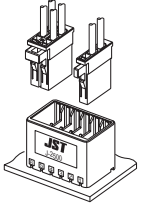
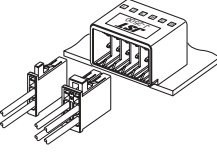
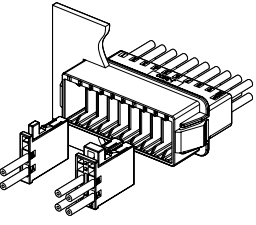


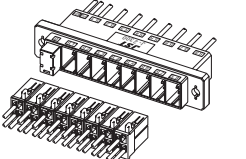
 Recognized E60389

 J 50209682

JFA CONNECTOR/J2000 SERIES

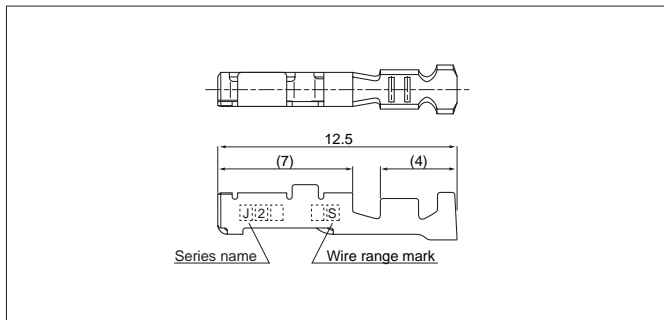
List of J2000 series products

2.5mm pitch / Voltage rating 250V AC, DC

| Type | Wire-to-board | | Wire-to-wire |
|-------------------------|--|--|---|
| | Top entry type | Side entry type | Panel mounting type |
| Center locking type | J2100 Single-row type  |  |  |
| | | Circuits | 3, 4 |
| | J2100 Double-row type  |  |  |
| | | Circuits | 6, 8, 10, 12, 16, 20 |
| Side locking type | J2800 Single-row type  |  | |
| | | Circuits | |
| | J2200 Double-row type  |  | |
| | | Circuits | |
| Common type for sensors | J2300  | |  |
| | | Circuits | |
| Module type | J2500  |  |  |
| | | Circuits | 12, 20 |
| | | | 20 |

JFA CONNECTOR/J2000 SERIES

Receptacle contact



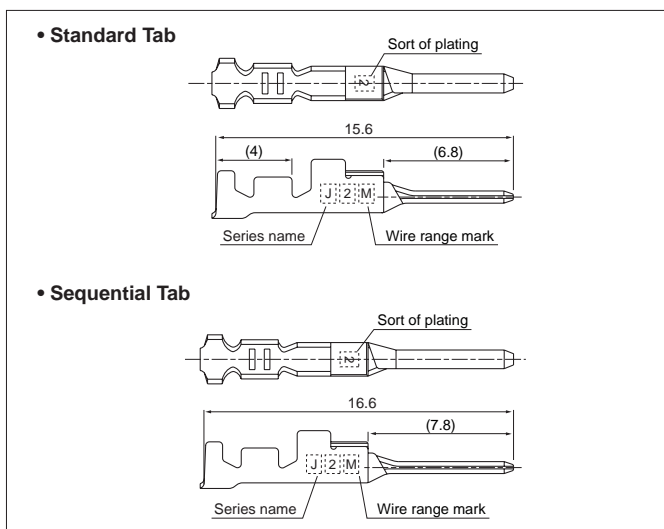
| Strip contact Model No. | Applicable wire | | | Insulation O.D. (mm) | Q'ty/reel |
|-------------------------|-----------------|-----------------|-------|----------------------|-----------|
| | Nominal | mm ² | AWG# | | |
| SJ2F-002GF-P1.0 | S | 0.08~0.20 | 28~24 | 0.88~1.43 | 6,000 |
| SJ2F-01GF-P1.0 | M | 0.20~0.50 | 24~20 | 1.11~1.53 | 6,000 |
| SJ2F-21GF-P1.0 | L | 0.30~0.75 | — | 1.30~1.90 | 5,000 |

Material and Finish

Copper alloy (superior conductivity), nickel-undercoated, selective gold-plated

RoHS2 compliance

Tab contact



| Strip contact Model No. | Applicable wire | | | Insulation O.D. (mm) | Q'ty/reel |
|-------------------------|-----------------|-----------------|-------|----------------------|-----------|
| | Nominal | mm ² | AWG# | | |
| SJ2M-002GF-M1.0N | S | 0.08~0.20 | 28~24 | 0.88~1.43 | 5,500 |
| SJ2M-01GF-M1.0N | M | 0.20~0.50 | 24~20 | 1.11~1.53 | 5,500 |
| SJ2M-21GF-M1.0N | L | 0.30~0.75 | — | 1.30~1.90 | 5,000 |
| SJ2M-01GF-M1.0S | Sequential | 0.20~0.50 | 24~20 | 1.11~1.53 | 5,500 |

Material and Finish

Copper alloy (superior conductivity), nickel-undercoated, selective gold-plated

RoHS2 compliance

Crimping machine, Applicator

| Strip contact Model No. | Crimping machine | Crimp applicator | Dies | Crimp applicator with dies | Hand tools |
|---|------------------|------------------|------------------|----------------------------|------------|
| SJ2F-002GF-P1.0 SJ2M-002GF-M1.0N | AP-K2N | MKS-L | MK/SJ2F/M-002-10 | APLMK SJ2F/M002-10 | YRS-8851 |
| SJ2F-21GF-P1.0 SJ2M-21GF-M1.0N | AP-K2N | MKS-L | MK/SJ2F/M-21-10 | APLMK SJ2F/M21-10 | YRF-1120 |
| | | *MKS-SC-J2 | SC/SJ2F/M-21-10 | APLSC SJ2F/M21-10 | |

| Strip contact Model No. | Crimping machine | Crimp applicator | Dies | Crimp applicator with dies | Hand tools |
|---|------------------|------------------|-----------------|----------------------------|------------|
| SJ2F-01GF-P1.0 SJ2M-01GF-M1.0N SJ2M-01GF-M1.0S | AP-K2N | MKS-L | MK/SJ2F/M-01-10 | APLMK SJ2F/M01-10 | YRS-8861 |
| | | *MKS-SC-J2 | SC/SJ2F/M-01-10 | APLSC SJ2F/M01-10 | |

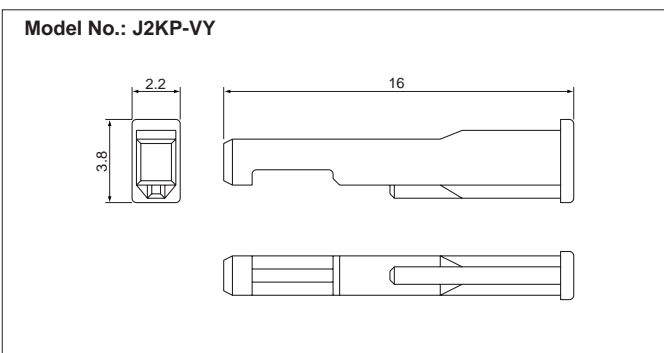
• Extraction tool for J2000 series: EJ-JFAJ2N

• Refer to 'Hand tools' of this catalog category for details of YRK series.

Note 1.*: Strip-crimp applicator

2. Contact JST for fully automatic crimping applicator.

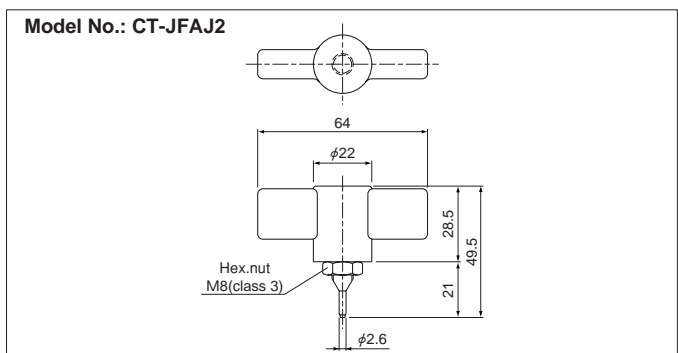
Keying plug



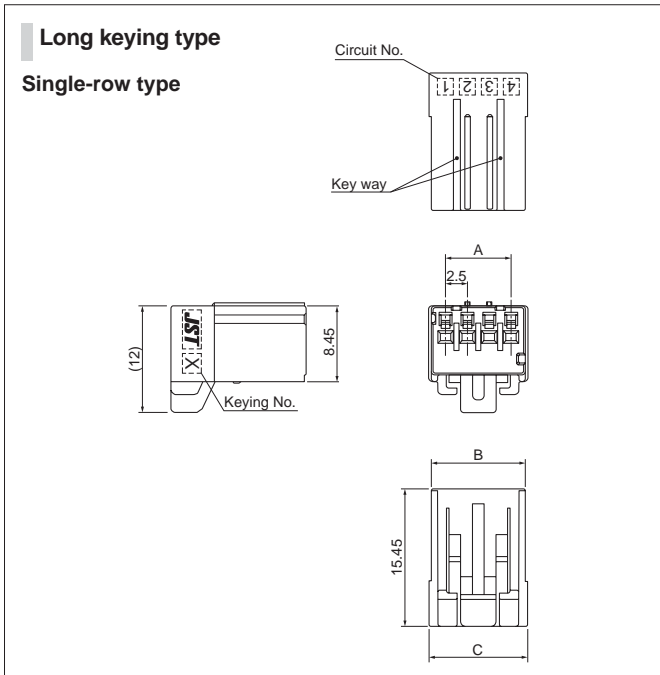
RoHS2 compliance

3 JST

Tab contact cutting tool



Receptacle housing (Center locking type)

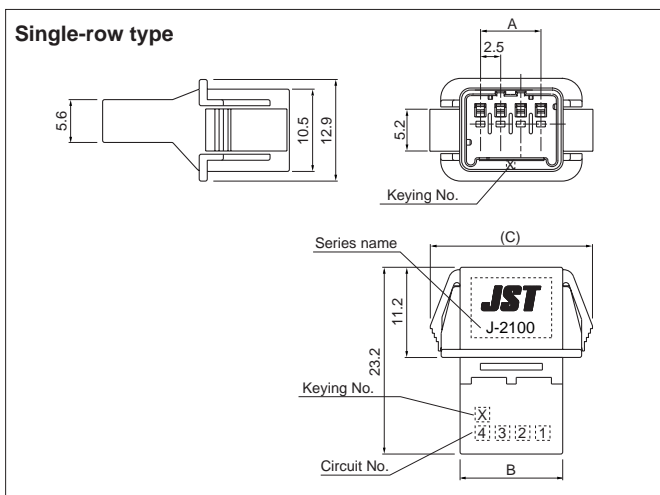


| Circuits | Keying | Model No. | Dimensions (mm) | | | Q'ty/bag |
|----------|--------|-----------------------|-----------------|------|------|----------|
| | | | A | B | C | |
| 3 | X | J21SF-03V-KX-L | 5.0 | 8.3 | 8.9 | 400 |
| | Y | J21SF-03V-KY-L | 5.0 | 8.3 | 8.9 | 400 |
| 4 | X | J21SF-04V-KX-L | 7.5 | 10.8 | 11.4 | 400 |
| | Y | J21SF-04V-KY-L | 7.5 | 10.8 | 11.4 | 400 |

| Material | | | | | | |
|----------------------------------|--|--|--|--|--|--|
| Glass-filled PBT, UL94V-0, black | | | | | | |

RoHS2 compliance

Tab housing (Panel mounting type)

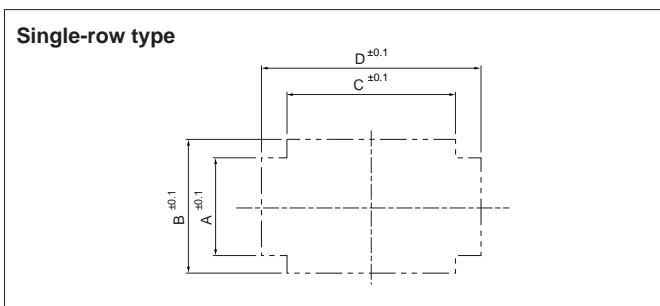


| Circuits | Keying | Model No. | Dimensions (mm) | | | Q'ty/bag |
|----------|--------|----------------------|-----------------|------|------|----------|
| | | | A | B | (C) | |
| 3 | X | J21SPM-03V-KX | 5.0 | 10.2 | 17.6 | 400 |
| | Y | J21SPM-03V-KY | 5.0 | 10.2 | 17.6 | 400 |
| 4 | X | J21SPM-04V-KX | 7.5 | 12.7 | 20.1 | 400 |
| | Y | J21SPM-04V-KY | 7.5 | 12.7 | 20.1 | 400 |

| Material | | | | | | |
|----------------------------------|--|--|--|--|--|--|
| Glass-filled PBT, UL94V-0, black | | | | | | |

RoHS2 compliance

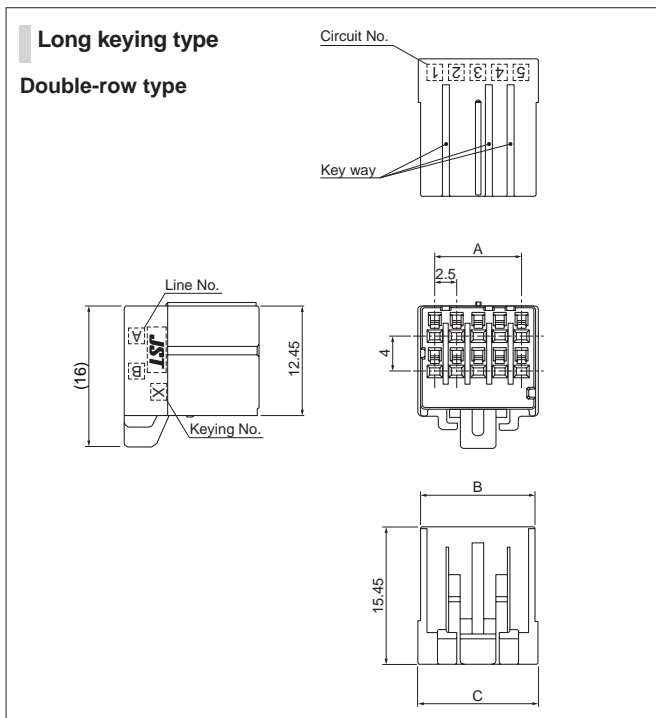
Panel layout



| Circuits | Dimensions (mm) | | | |
|----------|-----------------|------|------|------|
| | A | B | C | D |
| 3 | 7.8 | 10.8 | 10.5 | 15.2 |
| 4 | 7.8 | 10.8 | 13.0 | 17.7 |

J2000 SERIES/J2100

Receptacle housing (Center locking type)



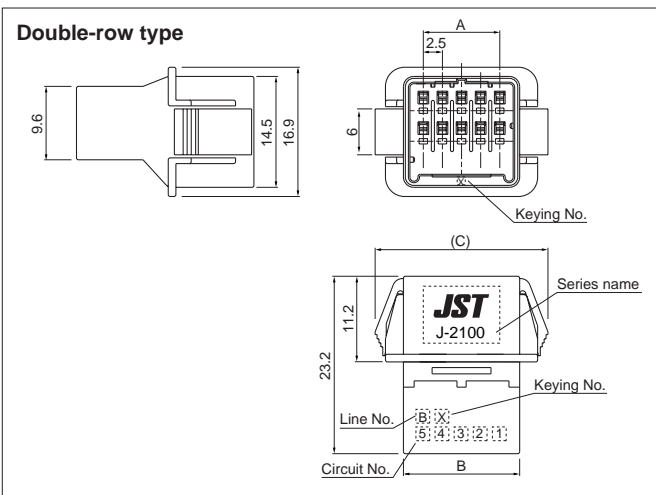
| Circuits | Keying | Model No. | Dimensions (mm) | | | Q'ty/bag |
|----------|--------|----------------|-----------------|------|------|----------|
| | | | A | B | C | |
| 6 | X | J21DF-06V-KX-L | 5.0 | 8.3 | 8.9 | 300 |
| | Y | J21DF-06V-KY-L | 5.0 | 8.3 | 8.9 | 300 |
| 8 | X | J21DF-08V-KX-L | 7.5 | 10.8 | 11.4 | 300 |
| | Y | J21DF-08V-KY-L | 7.5 | 10.8 | 11.4 | 300 |
| 10 | X | J21DF-10V-KX-L | 10.0 | 13.3 | 13.9 | 200 |
| | Y | J21DF-10V-KY-L | 10.0 | 13.3 | 13.9 | 200 |
| 12 | X | J21DF-12V-KX-L | 12.5 | 15.8 | 16.4 | 200 |
| | Y | J21DF-12V-KY-L | 12.5 | 15.8 | 16.4 | 200 |
| 16 | X | J21DF-16V-KX-L | 17.5 | 20.8 | 21.4 | 200 |
| | Y | J21DF-16V-KY-L | 17.5 | 20.8 | 21.4 | 200 |
| 20 | X | J21DF-20V-KX-L | 22.5 | 25.8 | 26.4 | 100 |
| | Y | J21DF-20V-KY-L | 22.5 | 25.8 | 26.4 | 100 |

Material

Glass-filled PBT, UL94V-0, black

RoHS2 compliance

Tab housing (Panel mounting type)



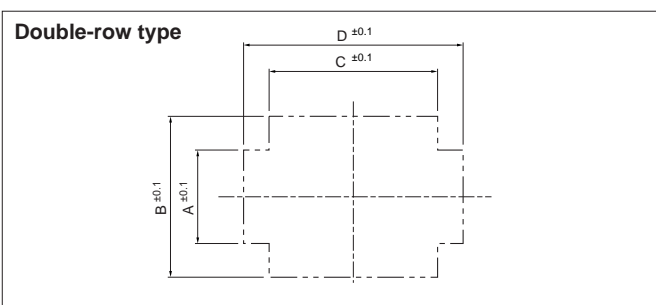
| Circuits | Keying | Model No. | Dimensions (mm) | | | Q'ty/bag |
|----------|--------|---------------|-----------------|------|------|----------|
| | | | A | B | (C) | |
| 6 | X | J21DPM-06V-KX | 5.0 | 10.2 | 17.6 | 300 |
| | Y | J21DPM-06V-KY | 5.0 | 10.2 | 17.6 | 300 |
| 8 | X | J21DPM-08V-KX | 7.5 | 12.7 | 20.1 | 200 |
| | Y | J21DPM-08V-KY | 7.5 | 12.7 | 20.1 | 200 |
| 10 | X | J21DPM-10V-KX | 10.0 | 15.2 | 22.6 | 200 |
| | Y | J21DPM-10V-KY | 10.0 | 15.2 | 22.6 | 200 |
| 12 | X | J21DPM-12V-KX | 12.5 | 17.7 | 25.1 | 200 |
| | Y | J21DPM-12V-KY | 12.5 | 17.7 | 25.1 | 200 |
| 16 | X | J21DPM-16V-KX | 17.5 | 22.7 | 30.1 | 200 |
| | Y | J21DPM-16V-KY | 17.5 | 22.7 | 30.1 | 200 |
| 20 | X | J21DPM-20V-KX | 22.5 | 27.7 | 35.1 | 150 |
| | Y | J21DPM-20V-KY | 22.5 | 27.7 | 35.1 | 150 |

Material

Glass-filled PBT, UL94V-0, black

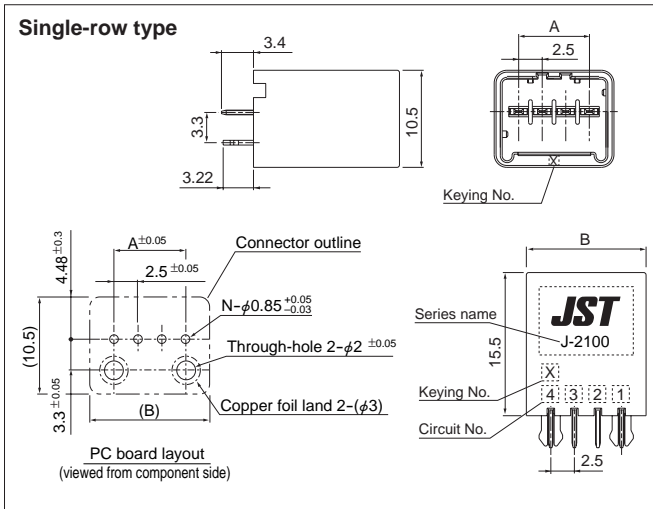
RoHS2 compliance

Panel layout



| Circuits | Dimensions (mm) | | | |
|----------|-----------------|------|------|------|
| | A | B | C | D |
| 6 | 8.6 | 14.8 | 10.5 | 15.2 |
| 8 | 8.6 | 14.8 | 13.0 | 17.7 |
| 10 | 8.6 | 14.8 | 15.5 | 20.2 |
| 12 | 8.6 | 14.8 | 18.0 | 22.7 |
| 16 | 8.6 | 14.8 | 23.0 | 27.7 |
| 20 | 8.6 | 14.8 | 28.0 | 32.7 |

Header Top entry type (Center locking type)



| Circuits | Keying | Model No. | Dimensions (mm) | | Q'ty/box |
|----------|--------|-----------------|-----------------|------|----------|
| | | | A | B | |
| 3 | X | B03B-J21SK-GGXR | 5.0 | 10.2 | 378 |
| | Y | B03B-J21SK-GGYR | 5.0 | 10.2 | 378 |
| 4 | X | B04B-J21SK-GGXR | 7.5 | 12.7 | 306 |
| | Y | B04B-J21SK-GGYR | 7.5 | 12.7 | 306 |

Material and Finish

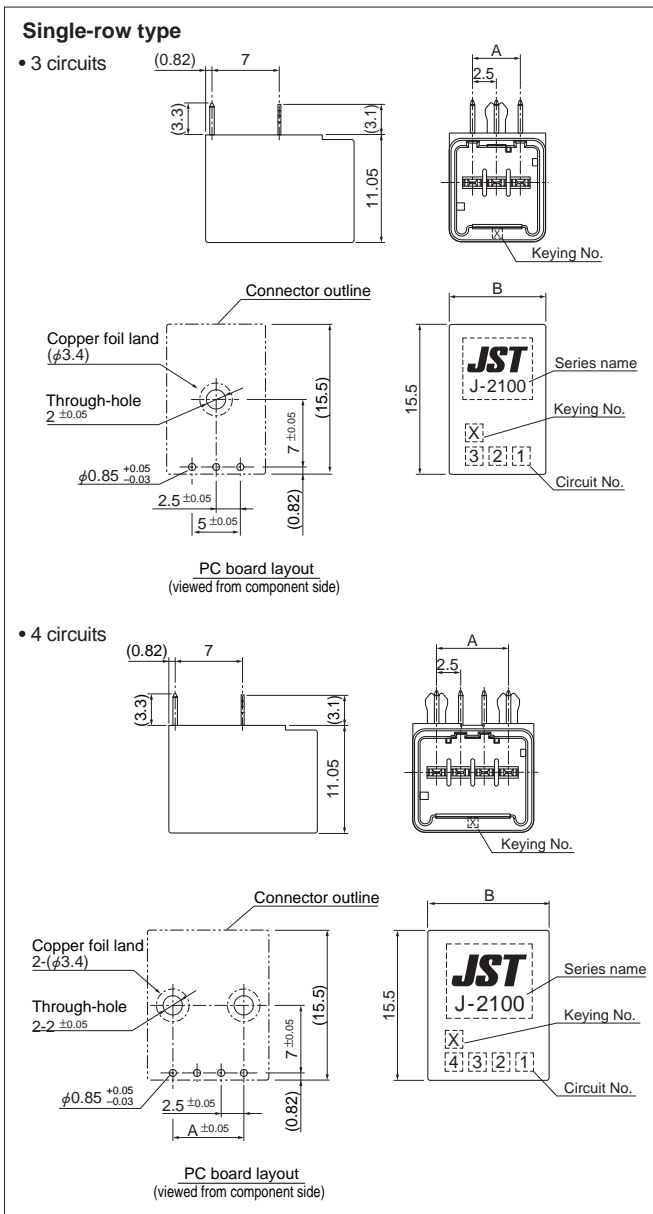
Tab contact: Copper alloy, nickel-undercoated, selective gold-plated

Housing: Glass-filled PBT, UL94V-0, black

Reinforcing metal fixture: Copper alloy, nickel-undercoated, selective gold-plated

RoHS2 compliance This product displays (LF)(AU) on a label.

Header Side entry type (Center locking type)



| Circuits | Keying | Model No. | Dimensions (mm) | | Q'ty/box |
|----------|--------|-----------------|-----------------|------|----------|
| | | | A | B | |
| 3 | X | S03B-J21SK-GGXR | 5.0 | 10.2 | 294 |
| | Y | S03B-J21SK-GGYR | 5.0 | 10.2 | 294 |
| 4 | X | S04B-J21SK-GGXR | 7.5 | 12.7 | 238 |
| | Y | S04B-J21SK-GGYR | 7.5 | 12.7 | 238 |

Material and Finish

Tab contact: Copper alloy, nickel-undercoated, selective gold-plated

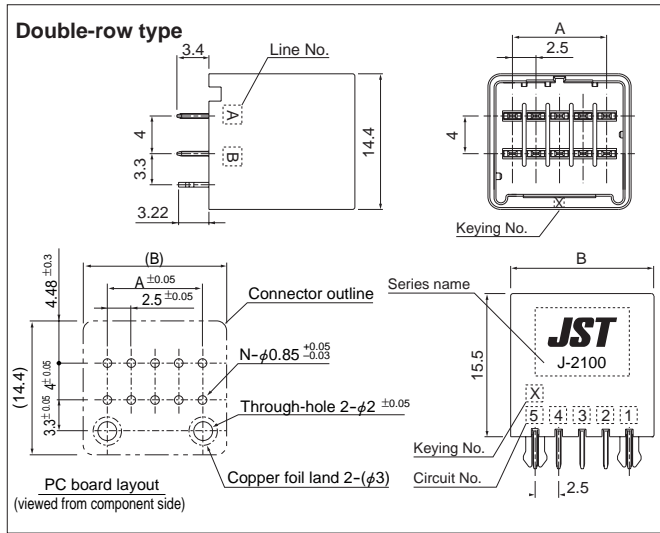
Housing: Glass-filled PBT, UL94V-0, black

Reinforcing metal fixture: Copper alloy, nickel-undercoated, selective gold-plated

RoHS2 compliance This product displays (LF)(AU) on a label.

J2000 SERIES/J2100

Header Top entry type (Center locking type)



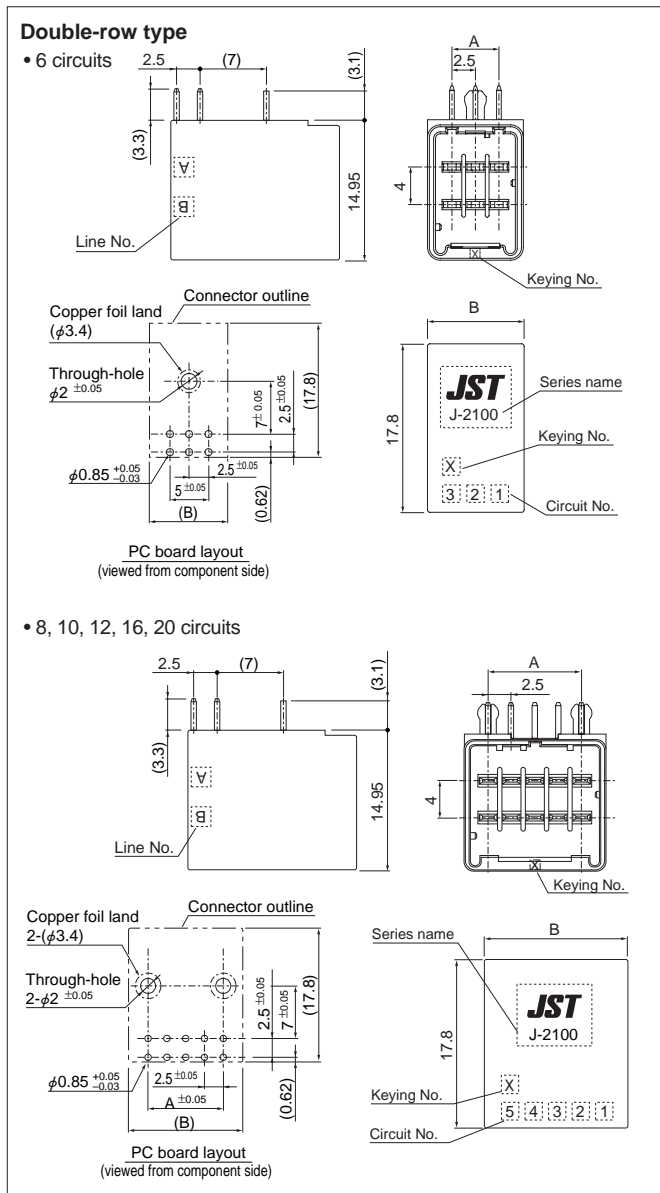
| Circuits | Keying | Model No. | Dimensions (mm) | | Q'ty/box |
|----------|--------|------------------------|-----------------|------|----------|
| | | | A | B | |
| 6 | X | B06B-J21DK-GGXR | 5.0 | 10.2 | 252 |
| | Y | B06B-J21DK-GGYR | 5.0 | 10.2 | 252 |
| 8 | X | B08B-J21DK-GGXR | 7.5 | 12.7 | 204 |
| | Y | B08B-J21DK-GGYR | 7.5 | 12.7 | 204 |
| 10 | X | B10B-J21DK-GGXR | 10.0 | 15.2 | 168 |
| | Y | B10B-J21DK-GGYR | 10.0 | 15.2 | 168 |
| 12 | X | B12B-J21DK-GGXR | 12.5 | 17.7 | 144 |
| | Y | B12B-J21DK-GGYR | 12.5 | 17.7 | 144 |
| 16 | X | B16B-J21DK-GGXR | 17.5 | 22.7 | 108 |
| | Y | B16B-J21DK-GGYR | 17.5 | 22.7 | 108 |
| 20 | X | B20B-J21DK-GGXR | 22.5 | 27.7 | 84 |
| | Y | B20B-J21DK-GGYR | 22.5 | 27.7 | 84 |

Material and Finish

Tab contact: Copper alloy, nickel-undercoated, selective gold-plated
Housing: Glass-filled PBT, UL94V-0, black
Reinforcing metal fixture: Copper alloy, nickel-undercoated, selective gold-plated

RoHS2 compliance This product displays (LF) (AU) on a label.

Header Side entry type (Center locking type)



| Circuits | Keying | Model No. | Dimensions (mm) | | Q'ty/box |
|----------|--------|------------------------|-----------------|------|----------|
| | | | A | B | |
| 6 | X | S06B-J21DK-GGXR | 5.0 | 10.2 | 252 |
| | Y | S06B-J21DK-GGYR | 5.0 | 10.2 | 252 |
| 8 | X | S08B-J21DK-GGXR | 7.5 | 12.7 | 204 |
| | Y | S08B-J21DK-GGYR | 7.5 | 12.7 | 204 |
| 10 | X | S10B-J21DK-GGXR | 10.0 | 15.2 | 168 |
| | Y | S10B-J21DK-GGYR | 10.0 | 15.2 | 168 |
| 12 | X | S12B-J21DK-GGXR | 12.5 | 17.7 | 144 |
| | Y | S12B-J21DK-GGYR | 12.5 | 17.7 | 144 |
| 16 | X | S16B-J21DK-GGXR | 17.5 | 22.7 | 108 |
| | Y | S16B-J21DK-GGYR | 17.5 | 22.7 | 108 |
| 20 | X | S20B-J21DK-GGXR | 22.5 | 27.7 | 84 |
| | Y | S20B-J21DK-GGYR | 22.5 | 27.7 | 84 |

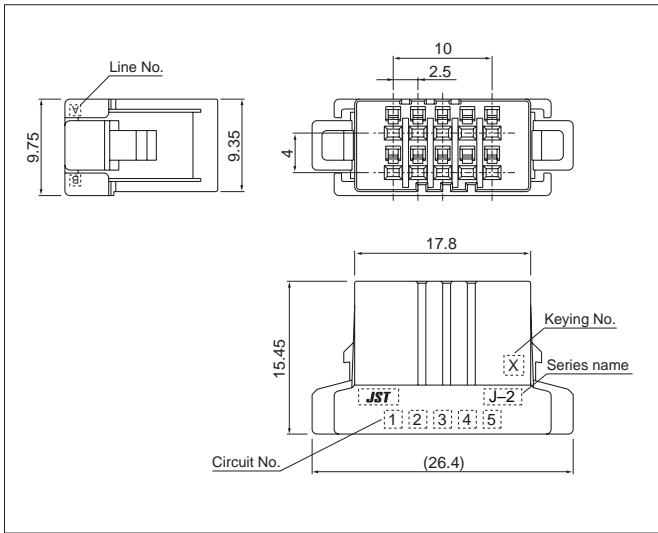
Material and Finish

Tab contact: Copper alloy, nickel-undercoated, selective gold-plated
Housing: Glass-filled PBT, UL94V-0, black
Reinforcing metal fixture: Copper alloy, nickel-undercoated, selective gold-plated

RoHS2 compliance This product displays (LF) (AU) on a label.

J2000 SERIES/J2200

Receptacle housing (Side locking type)



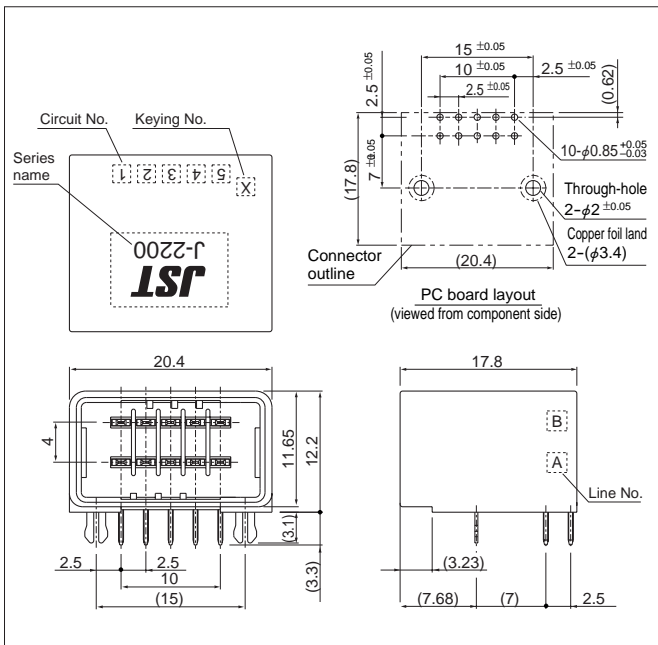
| Circuits | Keying | Model No. | Q'ty/bag |
|----------|--------|---------------------|----------|
| 10 | X | J22DF-10V-KX | 250 |
| | Y | J22DF-10V-KY | 250 |

Material

Glass-filled PBT, UL94V-0, black

RoHS2 compliance

Header Side entry type (Side locking type)



| Circuits | Keying | Model No. | Q'ty/box |
|----------|--------|------------------------|----------|
| 10 | X | S10B-J22DK-GGXR | 120 |
| | Y | S10B-J22DK-GGYR | 120 |

Material and Finish

Tab contact: Copper alloy, nickel-undercoated, selective gold-plated

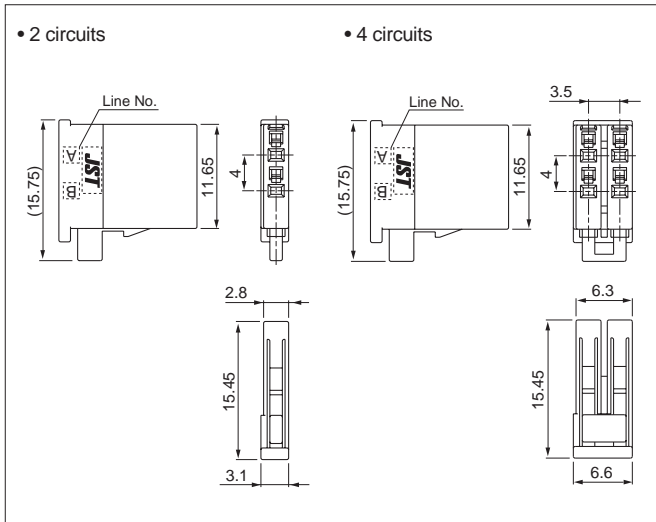
Housing: Glass-filled PBT, UL94V-0, black

Reinforcing metal fixture: Copper alloy, nickel-undercoated, selective gold-plated

RoHS2 compliance This product displays (LF)(AU) on a label.

J2000 SERIES/J2500

Receptacle housing (Module type)

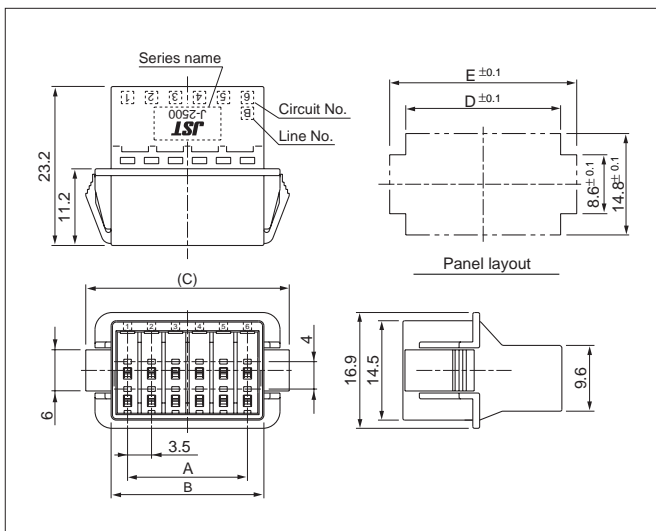


| Circuits | Keying | Model No. | Q'ty/bag |
|----------|--------|--------------------|----------|
| 2 | — | J25MF-02V-K | 800 |
| 4 | — | J25MF-04V-K | 400 |

| Material | | | |
|----------------------------------|--|--|--|
| Glass-filled PBT, UL94V-0, black | | | |

RoHS2 compliance

Tab housing (Panel mounting type)

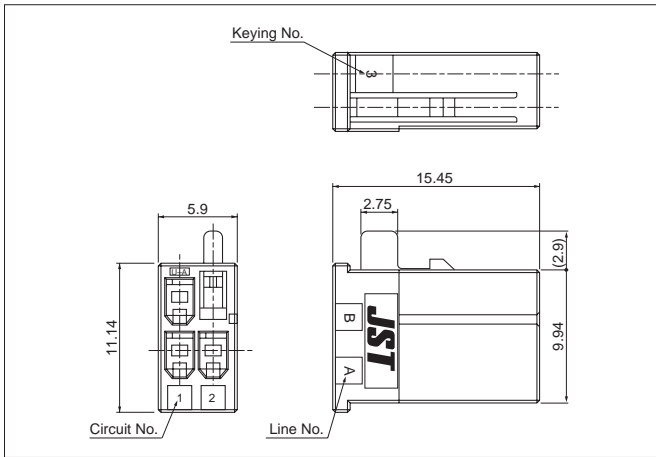


| Circuits | Keying | Model No. | Dimensions (mm) | | | | | Q'ty/box |
|----------|--------|---------------------|-----------------|------|------|------|------|----------|
| | | | A | B | (C) | D | E | |
| 12 | — | J25DPM-12V-K | 17.5 | 22.3 | 29.7 | 22.6 | 27.3 | 96 |
| 20 | — | J25DPM-20V-K | 31.5 | 36.3 | 43.7 | 36.6 | 41.3 | 132 |

| Material | | | | | | | |
|----------------------------------|--|--|--|--|--|--|--|
| Glass-filled PBT, UL94V-0, black | | | | | | | |

RoHS2 compliance

Receptacle housing (Common type for sensor)

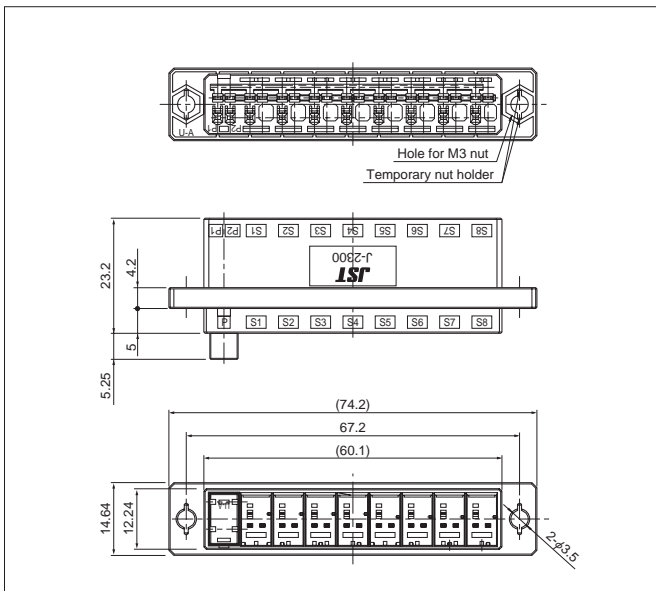


| Circuits | Keying | Model No. | Q'ty/box |
|----------|--------|---------------|----------|
| 3 | S1 | J23CF-03V-KS1 | 784 |
| | S2 | J23CF-03V-KS2 | 784 |
| | S3 | J23CF-03V-KS3 | 784 |
| | S4 | J23CF-03V-KS4 | 784 |
| | S5 | J23CF-03V-KS5 | 784 |
| | S6 | J23CF-03V-KS6 | 784 |
| | S7 | J23CF-03V-KS7 | 784 |
| | S8 | J23CF-03V-KS8 | 784 |

| Material | | | |
|----------------------------------|--|--|--|
| Glass-filled PBT, UL94V-0, black | | | |

RoHS2 compliance

Tab housing assembly



| Circuits | | Keying | Model No. | Q'ty/box |
|----------|----|--------|-----------------|----------|
| Input | 24 | S1~S8 | P28B-J23DK-GGNR | 64 |
| Output | 10 | | | |

| Material and Finish | | | |
|--|--|--|--|
| Tab contact: Copper alloy, nickel-undercoated, selective gold-plated | | | |
| Housing: Glass-filled PBT, UL94V-0, black | | | |

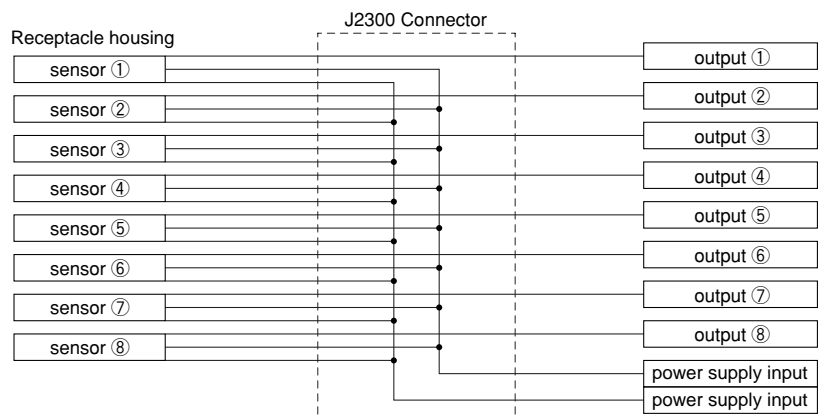
RoHS2 compliance

≧ Current rating

| Wire size | Current (A) |
|-----------|-------------|
| #20 | 6.5 |
| #22 | 5.5 |
| #24 | 4.0 |
| #26 | 3.0 |
| #28 | 2.0 |

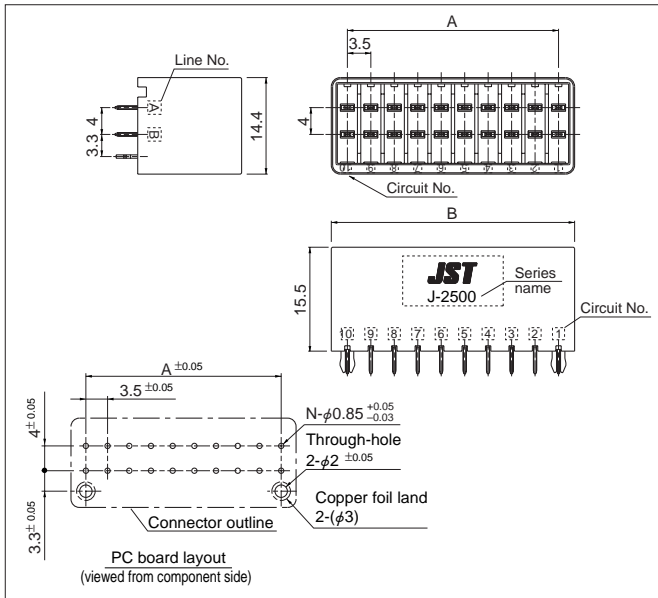
≧ Voltage rating: 250 V AC, DC

≧ Circuit composition



J2000 SERIES/J2500

Header Top entry type (Module type)



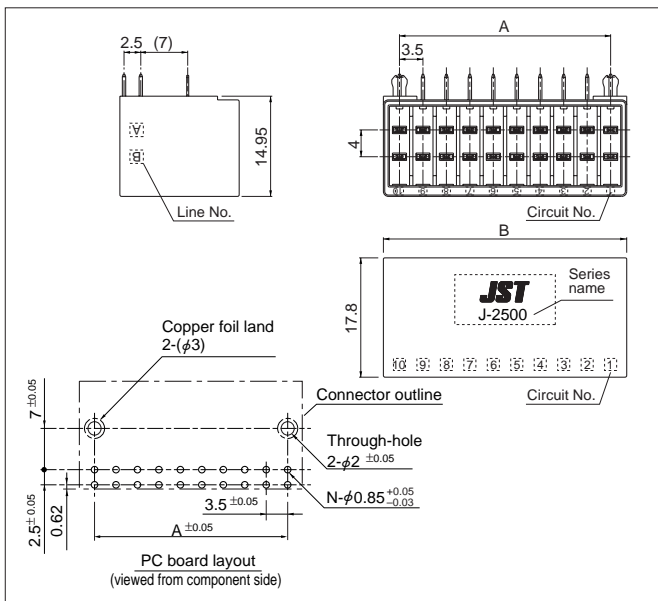
| Circuits | Keying | Model No. | Dimensions (mm) | | Q'ty/box |
|----------|--------|-----------------------|-----------------|------|----------|
| | | | A | B | |
| 12 | — | B12B-J25DK-GGR | 17.5 | 22.3 | 108 |
| 20 | — | B20B-J25DK-GGR | 31.5 | 36.3 | 72 |

Material and Finish

Tab contact: Copper alloy, nickel-undercoated, selective gold-plated
Housing: Glass-filled PBT, UL94V-0, black
Reinforcing metal fixture: Copper alloy, nickel-undercoated, selective gold-plated

RoHS2 compliance This product displays (LF) (AU) on a label.

Header Side entry type (Module type)



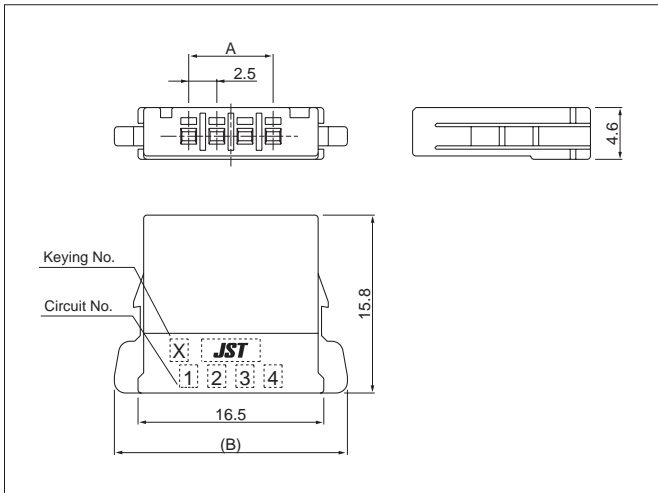
| Circuits | Keying | Model No. | Dimensions (mm) | | Q'ty/box |
|----------|--------|-----------------------|-----------------|------|----------|
| | | | A | B | |
| 12 | — | S12B-J25DK-GGR | 17.5 | 22.3 | 108 |
| 20 | — | S20B-J25DK-GGR | 31.5 | 36.3 | 72 |

Material and Finish

Tab contact: Copper alloy, nickel-undercoated, selective gold-plated
Housing: Glass-filled PBT, UL94V-0, black
Reinforcing metal fixture: Copper alloy, nickel-undercoated, selective gold-plated

RoHS2 compliance This product displays (LF) (AU) on a label.

Receptacle housing



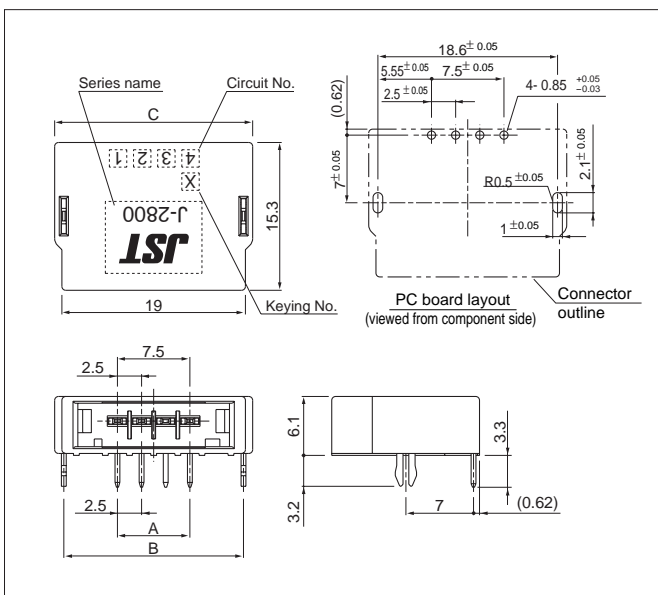
| Circuits | Keying | Model No. | Dimensions (mm) | | Q'ty/box |
|----------|--------|---------------------|-----------------|------|----------|
| | | | A | (B) | |
| 4 | X | J28SF-04V-KX | 7.5 | 20.7 | 540 |
| | Y | Under planning | — | — | — |

Material

PBT, UL94V-0, black

RoHS2 compliance

Header Side entry type (Side locking type)



| Circuits | Keying | Model No. | Dimensions (mm) | | | Q'ty/box |
|----------|--------|--------------------------|-----------------|------|------|----------|
| | | | A | B | C | |
| 4 | X | S04B-J28SK-GGXQ1R | 7.5 | 18.6 | 20.5 | 280 |
| | Y | Under planning | — | — | — | — |

Material and Finish

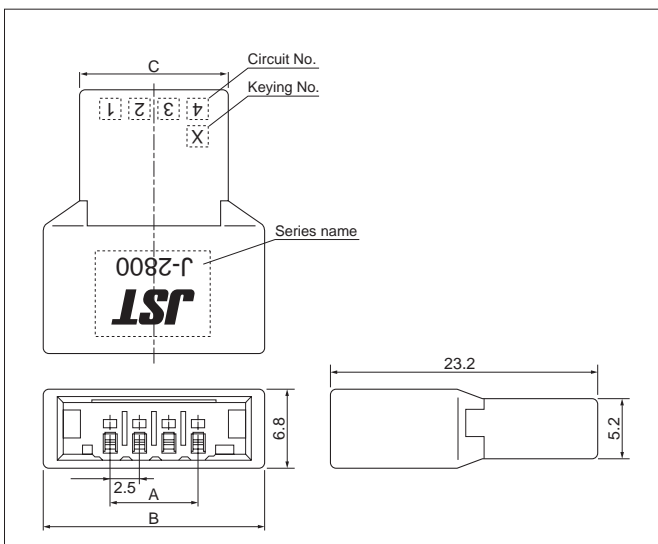
Tab contact: Copper alloy, nickel-undercoated, selective gold-plated

Housing: Glass-filled PBT, UL94V-0, black

Reinforcing metal fixture: Copper alloy, nickel-undercoated, selective gold-plated

RoHS2 compliance This product displays (LF) on a label.
Note: 3rd and 4th pins are sequential pins.

Tab housing (Free hanging type)



| Circuits | Keying | Model No. | Dimensions (mm) | | | Q ty/box |
|----------|--------|----------------------|-----------------|----|------|----------|
| | | | A | B | C | |
| 4 | X | J28SFM-04V-KX | 7.5 | 19 | 12.7 | |
| | Y | Under planning | 7.5 | 19 | 12.7 | |

Material

PBT, UL94V-0, black

RoHS2 compliance

JFA CONNECTOR/2000 SERIES

Model number identification

Receptacle contact

S J2 F - 01 GF - P 1.0

Form: S...Strip form

Series name

Kind of terminal: F...Receptacle contact

Applicable wire: 002...AWG #28 ~ AWG#24
01...AWG #24 ~ AWG#20
21...0.3 to 0.75mm²

Surface finish: GF...Nickel-undercoated, 0.38 μm selective gold-plated

Material: P...Copper alloy

Terminal size

Tab contact

S J2 M - 01 GF - M 1.0 S

Form: S...Strip form

Series name

Kind of terminal: M...Tab contact

Applicable wire: 002...AWG #28 ~ #24
01...AWG #24 ~ #20
21...0.3 to 0.75mm²

Surface finish: GF...Nickel-undercoated, 0.38 μm selective gold-plated

Material: M...Copper alloy

Terminal size

Sequential identification: N...Normal, S...Sequential

Receptacle housing

J21 D F-06 V - K X - L

Series name: J21...Center locking type
J22...Side locking type
J23...Center locking type (for sensor)
J25...Module type
J28...Side locking type (Thin type)

Rows: S...Single-row, D...Double-row, M...Module-row
C...For sensor-row

Type of connector: F...Receptacle housing

No. of circuits: 2, 3, 4, 6, 8, 10, 12, 16, 20

Flammability: UL94V-0

Color indication: K...Black, S...Natural (White), PK...Pink

Keying: X...X-Keying, Y...Y-Keying, ※...S1 ~ S8

Key way type: L...Long keying type
Blank...Short keying type (6 circuits is long keying type)

Tab housing

J21 D P M-06 V - K X

Series name: J21...Center locking type
J22...Side locking type
J25...Module type

Rows: S...Single-row, D...Double-row

Configuration: F...Free hanging, P...Panel mounting

Type of connector: M...Tab housing

No. of circuits: 3, 4, 6, 8, 10, 12, 16, 20

Flammability: UL94V-0

Color indication: K...Black

Keying: X...X-Keying, Y...Y-Keying

Header

S 04 B - J28 S K - GG X Q1 R

PC board mounting direction:
B...Top entry type
S...Side entry type
P...Panel mounting type

No. of circuits: 3, 4, 6, 8, 10, 12, 16, 20

Product name: Header

Series name: J21...Center locking type
J22...Side locking type
J23...Center locking type (for sensor)
J25...Module type
J28...Side locking type (Thin type)

Rows: S...Single-row, D...Double-row

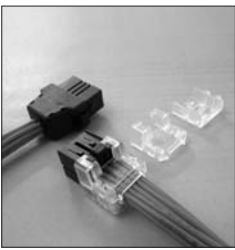
Color indication: K...Black, S...Natural (White), PK...Pink

Surface finish: GG...Nickel-undercoated, 0.38 μm selective gold-plated

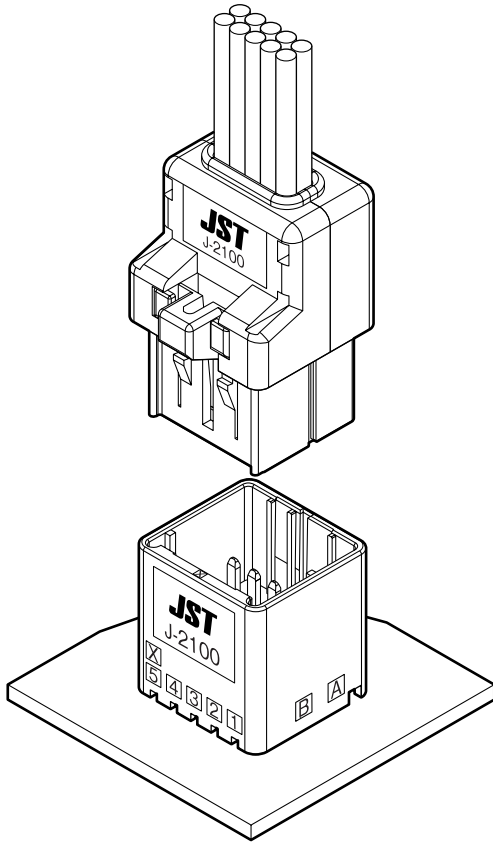
Keying: X...X-Keying, Y...Y-Keying, N...Special keying (S1 ~ S8)

Sequential indication: Q1...Sequential type, Blank...Standard type

Packaging form: R...Tray



JFA CONNECTOR J2000 SERIES PROTECTOR



When applying a current to the connector, the protector prevents foreign substances being inserted into mating part from the wiring side. However it has no function of holding the wire securely.

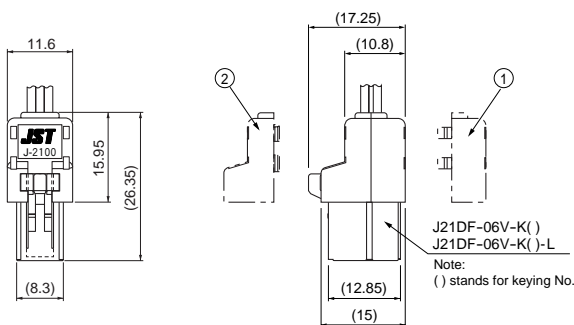
Note: Protector is not approved by UL standards.

Standards

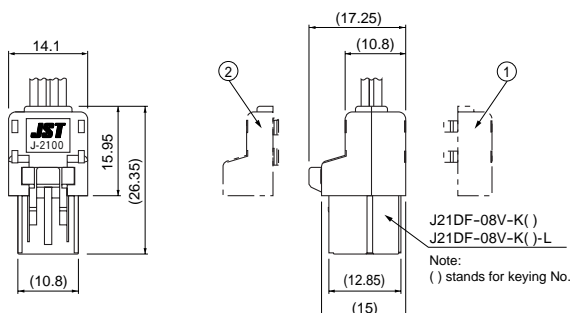
△ J50209682

J2000 Series

• J2100 series for 6 circuits



• J2100 series for 8 circuits



| No. | Model No. | Color | Q'ty/box |
|-----|--------------------|-------------|----------|
| 1 | J21PF-06SCA | Transparent | 2,250 |
| 2 | J21PF-06SCB | Transparent | 2,100 |

Material

Polycarbonate

RoHS2 compliance

| No. | Model No. | Color | Q'ty/box |
|-----|--------------------|-------------|----------|
| 1 | J21PF-08SCA | Transparent | 480 |
| 2 | J21PF-08SCB | Transparent | 270 |

Material

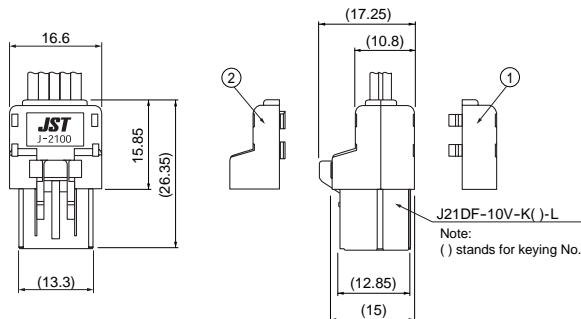
Polycarbonate

RoHS2 compliance

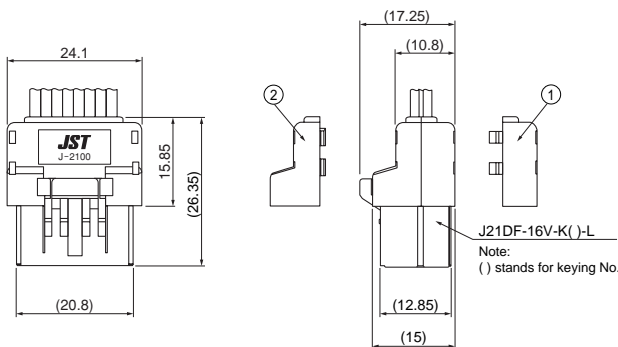
JFA CONNECTOR J2000 SERIES PROTECTOR

J2000 Series

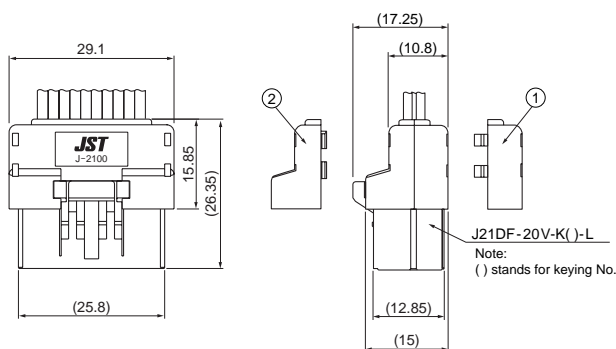
• J2100 series for 10 circuits



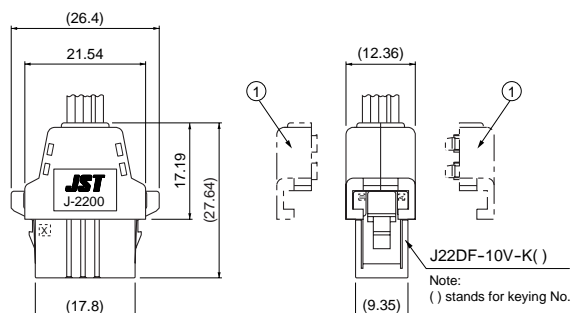
• J2100 series for 16 circuits



• J2100 series for 20 circuits



• J2200 series for 10 circuits



| No. | Model No. | Color | Q ty/box |
|-----|-------------|-------------|----------|
| 1 | J21PF-10VKA | Black | 390 |
| | J21PF-10SCA | Transparent | 390 |
| 2 | J21PF-10VKB | Black | 234 |
| | J21PF-10SCB | Transparent | 234 |

Material

Black: Glass-filled PBT
Transparent: Polycarbonate

RoHS2 compliance

| No. | Model No. | Color | Q ty/box |
|-----|-------------|-------------|----------|
| 1 | J21PF-16VKA | Black | 270 |
| | J21PF-16SCA | Transparent | 270 |
| 2 | J21PF-16VKB | Black | 162 |
| | J21PF-16SCB | Transparent | 162 |

Material

Black: Glass-filled PBT
Transparent: Polycarbonate

RoHS2 compliance

| No. | Model No. | Color | Q ty/box |
|-----|-------------|-------------|----------|
| 1 | J21PF-20VKA | Black | 210 |
| | J21PF-20SCA | Transparent | 210 |
| 2 | J21PF-20VKB | Black | 126 |
| | J21PF-20SCB | Transparent | 126 |

Material

Black: Glass-filled PBT
Transparent: Polycarbonate

RoHS2 compliance

| No. | Model No. | Color | Q ty/box |
|-----|------------|-------|----------|
| 1 | J22PF-10VK | Black | 420 |

Material

Glass-filled, PBT

RoHS2 compliance

Note: Two protectors are used.

X-ON Electronics

Largest Supplier of Electrical and Electronic Components

Click to view similar products for [Headers & Wire Housings](#) category:

Click to view products by [JST](#) manufacturer:

Other Similar products are found below :

[0015917161](#) [0022155065](#) [57102-F02-18ULF](#) [58102-G61-06LF](#) [582553-1](#) [01.001.5753.1](#) [0050291907](#) [02.125.8002.8](#) [609-3404](#) [61062-3](#)
[CSU011177004](#) [622-0430](#) [622-3653LF](#) [63453-116](#) [636-1030](#) [636-1427](#) [636-3427](#) [636-4007](#) [641938-9](#) [65495-038](#) [65692-001LF](#) [65781-018](#)
[65781-047](#) [65817-010LF](#) [65817-015LF](#) [67095-007LF](#) [67601157](#) [68631-112](#) [68645-018](#) [699319-000](#) [70.362.1628.0](#) [70-4210](#) [70-4226B](#) [70-](#)
[4853B](#) [71.350.2428.0](#) [733-134](#) [733-162](#) [MHR-64-VUAL](#) [80.063.4001.1](#) [800-90-001-10-001000](#) [801-43-002-10-013000](#) [801-43-006-10-](#)
[002000](#) [803-43-024-10-001000](#) [803-93-012-10-001000](#) [8-1437020-4](#) [819-22-004-30-001101](#) [820-22-006-30-001101](#) [820-22-008-30-001101](#)
[821-22-002-10-001101](#) [821-22-003-10-002101](#)