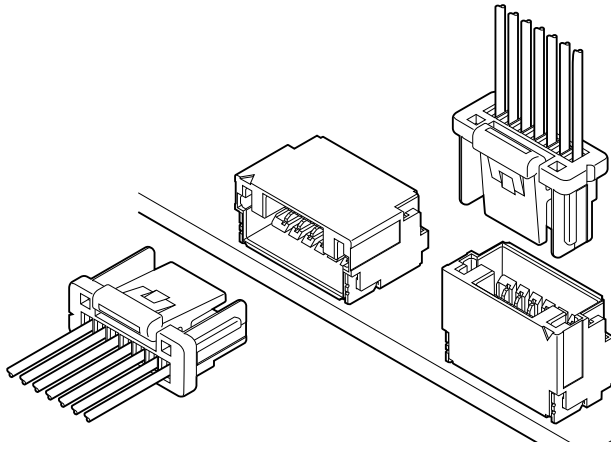


NSH CONNECTOR

1.0 mm pitch/Disconnectable Crimp style connectors



1.0 mm pitch secure lock type connector. This low insertion force type connector realizes easier mating operation. The basic concept of the contact part of this connector is equivalent to the performance proven SHL connector.

- Secure locking structure
- Contact lock structure
- Prevention of contact deformation
- Clear engagement click sounds

Specifications

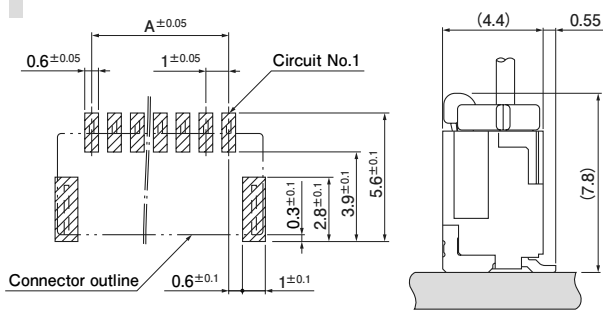
- Current rating: 1.0 A AC/DC (AWG #28)
 - Voltage rating: 50 V AC/DC
 - Temperature range: -25°C to +85°C
(including temperature rise in applying electrical current)
 - Contact resistance: Initial value/ 30 mΩ max.
After environmental tests/ 50 mΩ max.
 - Insulation resistance: 100 MΩ min.
 - Withstanding voltage: 500 VAC/minute
 - Applicable wire: Conductor size/ AWG #32 to #28
Insulation O.D./ 0.4 to 0.8 mm
- * In using the products, refer to "Handling Precautions for Terminals and Connectors" described on our website (Technical documents of Product information page).
- * RoHS2 compliance
- * Dimensional unit: mm
- * Contact JST for details.

Standards

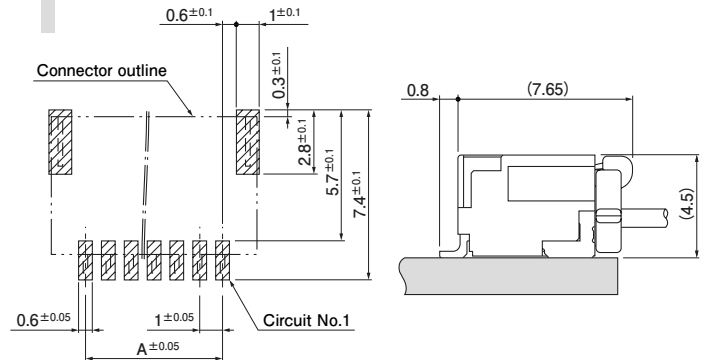
Ⓜ Recognized E60389

PC board layout and Assembly layout

Top entry type

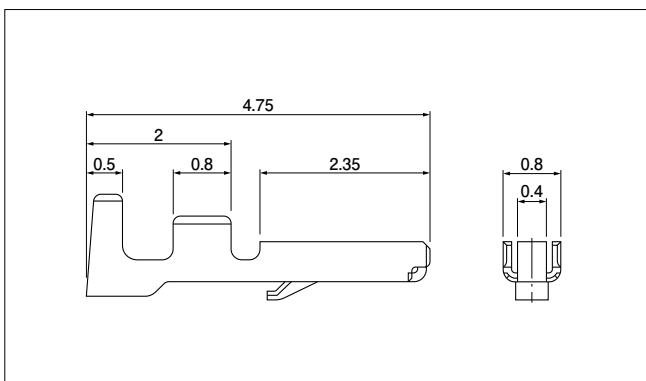


Side entry type



- Note: 1. The above figure is the figure viewed from the connector mounting side.
2. Tolerances are non-cumulative: ± 0.05 mm for all centers.
3. The dimensions above should serve as a guideline. Contact JST for details.

Contact



| Model No. | Applicable wire | | Insulation O.D. (mm) | Q'ty/reel |
|-----------------|-----------------|-------|----------------------|-----------|
| | mm ² | AWG# | | |
| SSH-L-003T-P0.2 | 0.032~0.08 | 32~28 | 0.4~0.8 | 41,000 |

Material and Finish

Phosphor bronze, tin-plated (reflow treatment)

RoHS2 compliance

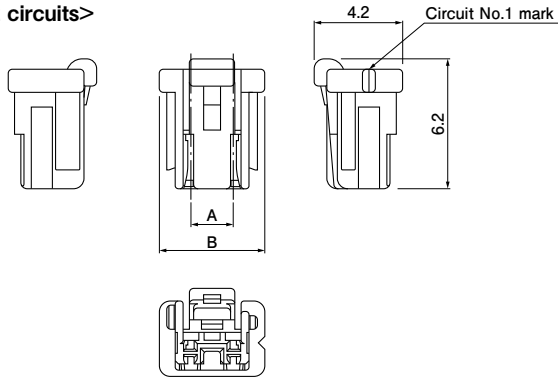
| Contact | Crimping machine | Applicator | | |
|-----------------|------------------|------------------|-----------------|----------------------------|
| | | Crimp applicator | Dies | Crimp applicator with dies |
| SSH-L-003T-P0.2 | AP-K2N | MKS-L-10-3 | MK/SSH/L-003-02 | APLMK SSH/L003-02 |

- Note: 1. Contact JST for applicable wires in case that it is not usable due to wire size.
2. Contact JST for fully automatic crimping applicator.

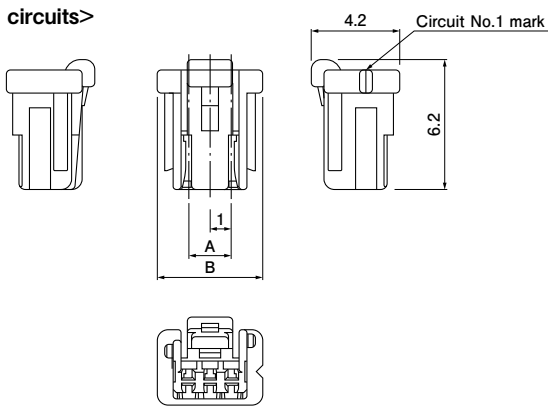
NSH CONNECTOR

Housing

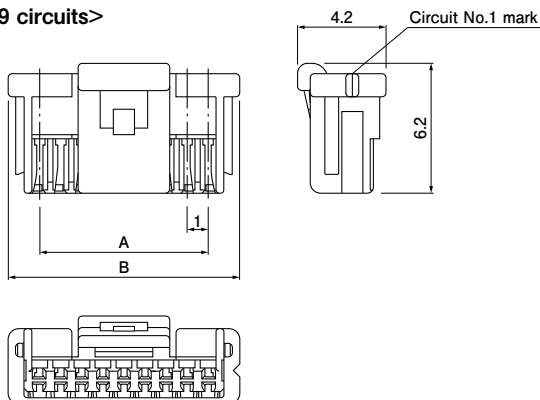
<2 circuits>



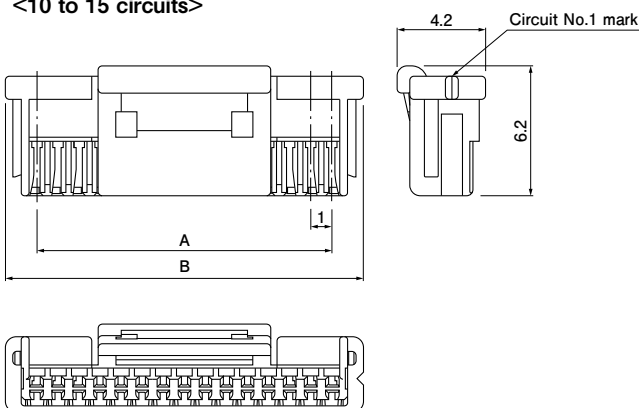
<3 circuits>



<4 to 9 circuits>



<10 to 15 circuits>



| No. of circuits | Model No. | Dimensions (mm) | | Q'ty/ bag |
|-----------------|------------|-----------------|------|--------------|
| | | A | B | |
| 2 | NSHR-02V-S | *2.0 | *5.0 | 3,000 |
| 3 | NSHR-03V-S | 2.0 | 5.0 | 3,000 |
| 4 | NSHR-04V-S | 3.0 | 6.0 | 2,500 |
| 5 | NSHR-05V-S | 4.0 | 7.0 | 2,000 |
| 6 | NSHR-06V-S | 5.0 | 8.0 | 1,500 |
| 7 | NSHR-07V-S | 6.0 | 9.0 | 1,500 |
| 8 | NSHR-08V-S | 7.0 | 10.0 | 1,500 |
| 9 | NSHR-09V-S | 8.0 | 11.0 | 1,000 |
| 10 | NSHR-10V-S | 9.0 | 12.0 | 1,000 |
| 11 | NSHR-11V-S | 10.0 | 13.0 | 1,000 |
| 12 | NSHR-12V-S | 11.0 | 14.0 | 1,000 |
| 13 | NSHR-13V-S | 12.0 | 15.0 | 1,000 |
| 14 | NSHR-14V-S | 13.0 | 16.0 | 1,000 |
| 15 | NSHR-15V-S | 14.0 | 17.0 | 1,000 |

Material and Finish

PBT, UL94V-0, natural

RoHS2 compliance

Note: 2 circuits product is that the second pin of 3 circuits product is plugged up. (Between circuits 2.0mm pitch)

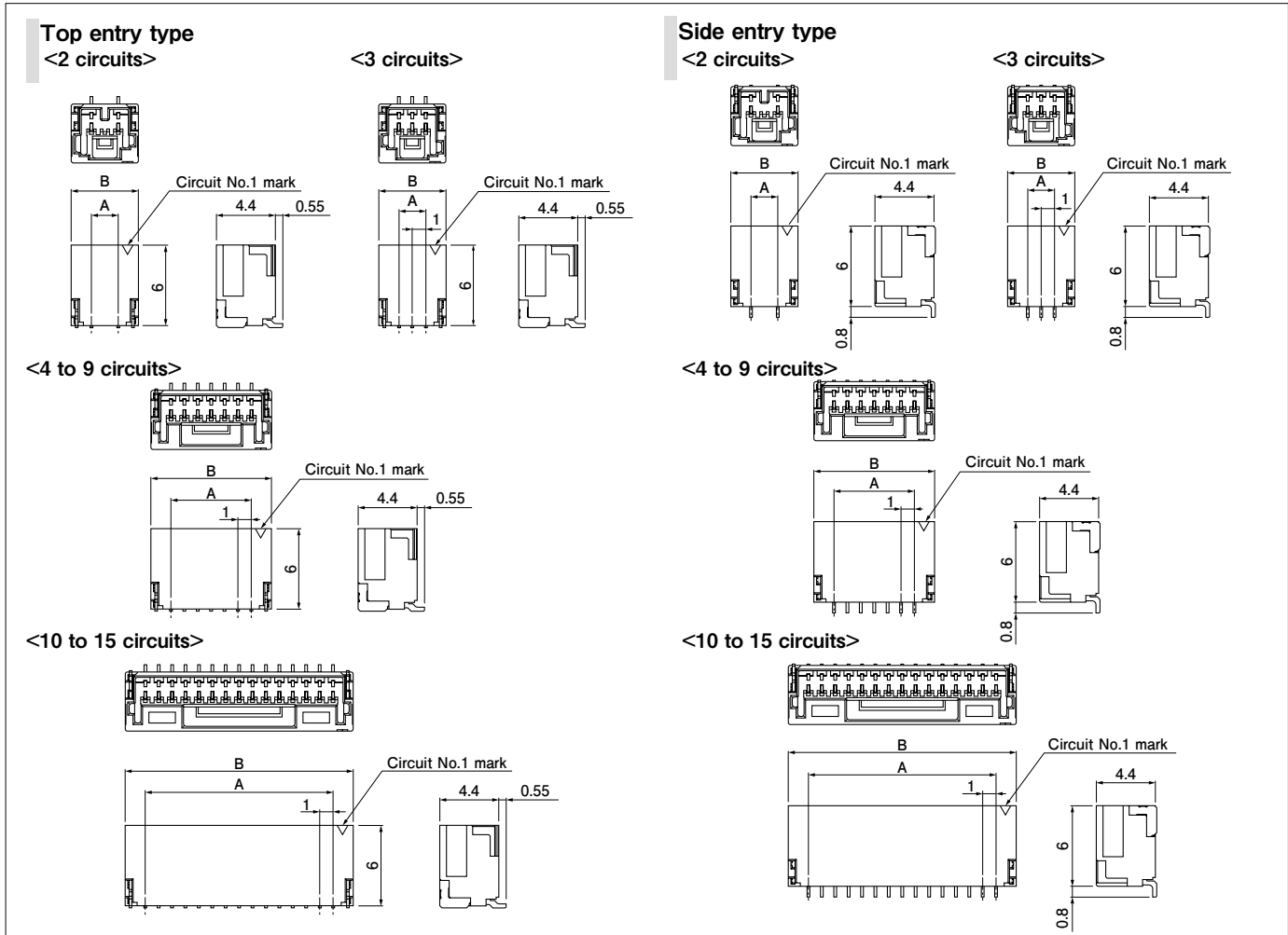
<For reference> As the color identification, the following alphabet shall be put in the underlined part. For availability, delivery and minimum order quantity, contact JST.

ex. NSHR-02V-S

S...natural Z...ivory TR...tomato red E...blue MG...moss green
DH...dark gray LE...light blue K...black DPK...dark pink

NSH CONNECTOR

Shrouded header



Top entry type

| No. of circuits | Model No. | Dimensions (mm) | | Q'ty/reel |
|-----------------|-----------------|-----------------|------|-----------|
| | | A | B | |
| 2 | BM02B-NSHSS-TBT | *2.0 | *5.0 | 1,000 |
| 3 | BM03B-NSHSS-TBT | 2.0 | 5.0 | 1,000 |
| 4 | BM04B-NSHSS-TBT | 3.0 | 6.0 | 1,000 |
| 5 | BM05B-NSHSS-TBT | 4.0 | 7.0 | 1,000 |
| 6 | BM06B-NSHSS-TBT | 5.0 | 8.0 | 1,000 |
| 7 | BM07B-NSHSS-TBT | 6.0 | 9.0 | 1,000 |
| 8 | BM08B-NSHSS-TBT | 7.0 | 10.0 | 1,000 |
| 9 | BM09B-NSHSS-TBT | 8.0 | 11.0 | 1,000 |
| 10 | BM10B-NSHSS-TBT | 9.0 | 12.0 | 1,000 |
| 11 | BM11B-NSHSS-TBT | 10.0 | 13.0 | 1,000 |
| 12 | BM12B-NSHSS-TBT | 11.0 | 14.0 | 1,000 |
| 13 | BM13B-NSHSS-TBT | 12.0 | 15.0 | 1,000 |
| 14 | BM14B-NSHSS-TBT | 13.0 | 16.0 | 1,000 |
| 15 | BM15B-NSHSS-TBT | 14.0 | 17.0 | 1,000 |

Material and Finish

Contact: Copper alloy, copper-undercoated, tin-plated (reflow treatment)
 Wafer: Polyamide, UL94V-0, natural
 Reinforcement: Copper alloy, copper-undercoated, tin-plated (reflow treatment)

RoHS2 compliance This product displays (LF)(SN) on a label.
 Note: 1. The products listed above are supplied on embossed-tape/with suction tape.
 2. 2 circuits product is that the second pin of 3 circuits product is plugged up. (Between circuits 2.0 mm pitch)

<For reference> As the color identification, the following alphabet shall be put in the underlined part.
 For availability, delivery and minimum order quantity, contact JST.

ex. BM02B-NSHSS-TBT SM02B-NSHSS-TB

S...natural Z...ivory TR...tomato red E...blue MG...moss green DH...dark gray LE...light blue K...black DPK...dark pink

Side entry type

| No. of circuits | Model No. | Dimensions (mm) | | Q'ty/reel |
|-----------------|----------------|-----------------|------|-----------|
| | | A | B | |
| 2 | SM02B-NSHSS-TB | *2.0 | *5.0 | 1,500 |
| 3 | SM03B-NSHSS-TB | 2.0 | 5.0 | 1,500 |
| 4 | SM04B-NSHSS-TB | 3.0 | 6.0 | 1,500 |
| 5 | SM05B-NSHSS-TB | 4.0 | 7.0 | 1,500 |
| 6 | SM06B-NSHSS-TB | 5.0 | 8.0 | 1,500 |
| 7 | SM07B-NSHSS-TB | 6.0 | 9.0 | 1,500 |
| 8 | SM08B-NSHSS-TB | 7.0 | 10.0 | 1,500 |
| 9 | SM09B-NSHSS-TB | 8.0 | 11.0 | 1,500 |
| 10 | SM10B-NSHSS-TB | 9.0 | 12.0 | 1,500 |
| 11 | SM11B-NSHSS-TB | 10.0 | 13.0 | 1,500 |
| 12 | SM12B-NSHSS-TB | 11.0 | 14.0 | 1,500 |
| 13 | SM13B-NSHSS-TB | 12.0 | 15.0 | 1,500 |
| 14 | SM14B-NSHSS-TB | 13.0 | 16.0 | 1,500 |
| 15 | SM15B-NSHSS-TB | 14.0 | 17.0 | 1,500 |

Material and Finish

Contact: Copper alloy, copper-undercoated, tin-plated (reflow treatment)
 Wafer: Polyamide, UL94V-0, natural
 Reinforcement: Copper alloy, copper-undercoated, tin-plated (reflow treatment)

RoHS2 compliance This product displays (LF)(SN) on a label.
 Note: 1. The products listed above are supplied on embossed-tape/without suction tape.
 2. 2 circuits product is that the second pin of 3 circuits product is plugged up. (Between circuits 2.0 mm pitch)

X-ON Electronics

Largest Supplier of Electrical and Electronic Components

Click to view similar products for JST manufacturer:

Other Similar products are found below :

[WC-203](#) [10HR-4K](#) [B12B-PADSS\(LF\)\(SN\)](#) [S16B-PASK-2\(LF\)\(SN\)](#) [R14-8-\(NJ\)](#) [YLR-03V-K](#) [A07SR07SR30K152A](#) [RPJ-20R](#)
[A10ZR10ZR28H305A](#) [A09ZR09ZR28H102B](#) [IDH-KR-12](#) [WC-592](#) [WC-244](#) [ZER-14V-S](#) [ZPDR-20V-S](#) [WC1091](#) [B4B-XH-TW \(LF\)\(SN\)](#)
[06FM-1.0ST\(LF\)\(SN\)](#) [ZER-12V-S](#) [YC-500](#) [HPSWC-40-K](#) [WC-930P](#) [YHT-2622](#) [S30B-PHDSS\(LF\)\(SN\)](#) [B4B-PH-K-S \(LF\)\(SN\)](#) [B10B-](#)
[PARK-1\(LF\)\(SN\)](#) [YHT-2210](#) [YRF-536](#) [B09B-PASK-1N\(LF\)\(SN\)](#) [A12ZR12ZR28H152A](#) [A12ZR12ZR28H102A](#) [A12ZR12ZR28H152B](#)
[YRF-1430](#) [WC-202](#) [PHDR-34VS](#) [B2P-VH-FB-B\(LF\)\(SN\)](#) [7P-SDN](#) [B06B-VYHSK-D-1](#) [9P-SDN](#) [XAP-20V-1](#) [SMR-12V-B](#)
[ASSMSSM22K203](#) [07P-SJN](#) [SSH-003T-P0.2-H](#) [B12B-ZR\(LF\)\(SN\)](#) [14KR-6H-P](#) [BYM-001T-P0.6](#) [S8B-EH\(LF\)\(SN\)](#) [S5P-VH\(LF\)\(SN\)](#)
[YRS-260](#)