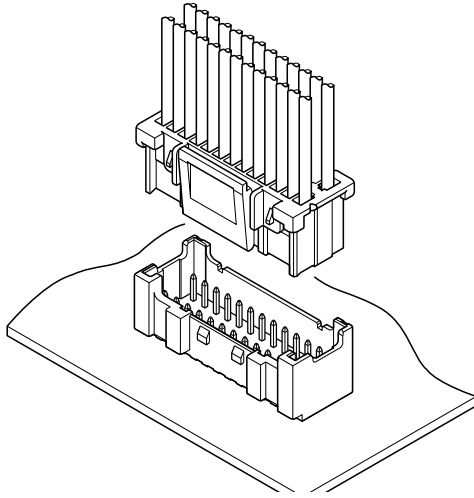


PND CONNECTOR

2.0 mm pitch/Disconnectable Crimp style connectors



The PND connector is the high-density dipping type connector with secure lock for wire to board connection and enabled to achieve excellent workability and withstand the unexpected external force.

- Superior operability (Low insertion force)
- Withstanding external force and secure locking device
- Countermeasure for inverse insertion and mismatching insertion
- High density
- Polarizing boss

Specifications

- Current rating: 3 A AC/DC (AWG #22)
- Voltage rating: 250 V AC/DC
- Temperature range: -25°C to +85°C
(including temperature rise in applying electrical current)
- Contact resistance: Initial value/ 10 mΩ max.
After environmental tests/ 20 mΩ max.
- Insulation resistance: 1,000 MΩ min.
- Withstanding voltage: 800 VAC/minute
- Applicable wire: Conductor size/ AWG #28 to #22
Insulation O.D./ 0.76 to 1.5 mm

* In using the products, refer to "Handling Precautions for Terminals and Connectors" described on our website (Technical documents of Product information page).

* RoHS2 compliance

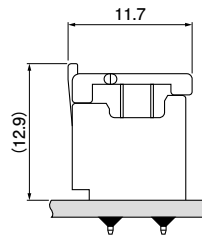
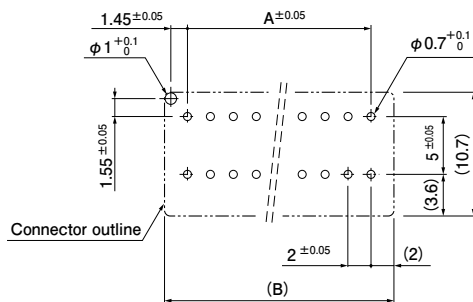
* Dimensional unit: mm

* Contact JST for details.

Standards

Recognized E60389

PC board layout and Assembly layout

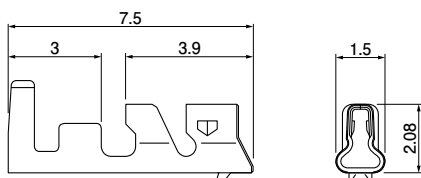


Note: 1. The above figure is the figure viewed from the connector mounting side.

2. Tolerances are non-cumulative: ± 0.05 mm for all centers.

3. Hole dimensions differ according to the type of PC board and piercing method. The dimensions above should serve as a guideline. Contact JST for details.

Contact



| Model No. | Applicable wire | | Insulation O.D. (mm) | Q'ty/reel |
|----------------|-----------------|-------|----------------------|-----------|
| | mm ² | AWG # | | |
| SPND-001T-C0.5 | 0.13~0.33 | 26~22 | 1.0~1.5 | 8,000 |
| SPND-002T-C0.5 | 0.08~0.22 | 28~24 | 0.76~1.5 | |

Material and Finish

Copper alloy, tin-plated (reflow treatment)

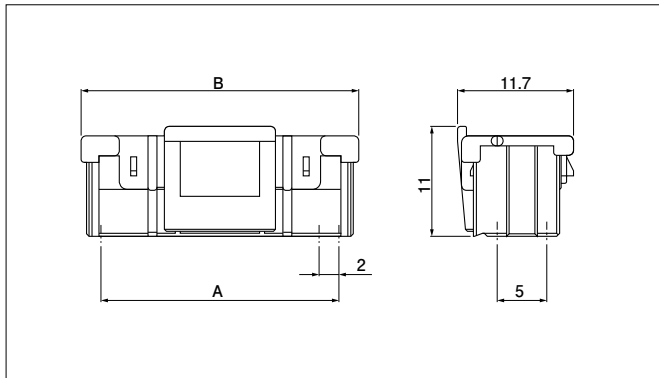
RoHS2 compliance

| Contact | Crimping machine | Applicator | | |
|----------------|------------------|------------------|-------------------|----------------------------|
| | | Crimp applicator | Dies | Crimp applicator with dies |
| SPND-001T-C0.5 | AP-K2N | MKS-L | MK/SPND-001-05 | APLMK SPND001-05 |
| SPND-002T-C0.5 | | | MK/SPAD/ND-002-05 | APLMK SPAD/ND002-05 |

Note: Contact JST for fully automatic crimping applicator.

PND CONNECTOR

Housing



| No. of circuits | Model No. | Dimensions (mm) | | Q'ty/bag |
|-----------------|------------|-----------------|------|----------|
| | | A | B | |
| 8 | PNDP-08V-Z | 6.0 | 10.0 | 500 |
| 10 | PNDP-10V-Z | 8.0 | 12.0 | 500 |
| 12 | PNDP-12V-Z | 10.0 | 14.0 | 500 |
| 14 | PNDP-14V-Z | 12.0 | 16.0 | 500 |
| 16 | PNDP-16V-Z | 14.0 | 18.0 | 300 |
| 18 | PNDP-18V-Z | 16.0 | 20.0 | 300 |
| 20 | PNDP-20V-Z | 18.0 | 22.0 | 300 |
| 22 | PNDP-22V-Z | 20.0 | 24.0 | 300 |
| 24 | PNDP-24V-Z | 22.0 | 26.0 | 250 |
| 26 | PNDP-26V-Z | 24.0 | 28.0 | 250 |
| 28 | PNDP-28V-Z | 26.0 | 30.0 | 250 |
| 30 | PNDP-30V-Z | 28.0 | 32.0 | 150 |
| 32 | PNDP-32V-Z | 30.0 | 34.0 | 150 |
| 34 | PNDP-34V-Z | 32.0 | 36.0 | 150 |
| 36 | PNDP-36V-Z | 34.0 | 38.0 | 100 |
| 38 | PNDP-38V-Z | 36.0 | 40.0 | 100 |
| 40 | PNDP-40V-Z | 38.0 | 42.0 | 100 |
| 42 | PNDP-42V-Z | 40.0 | 44.0 | 100 |

Material and Finish

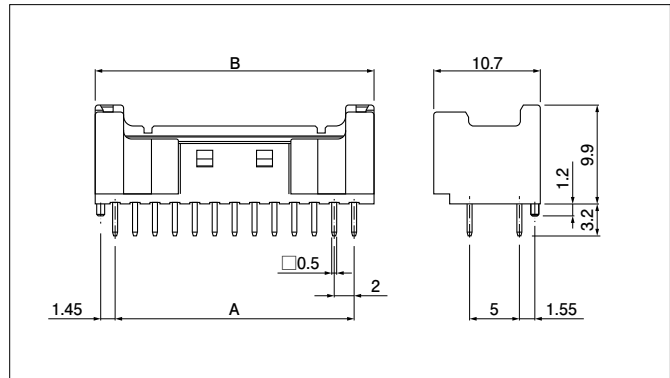
PA 66, UL94V-0, ivory

RoHS2 compliance

<For reference> As the color identification, the following alphabet shall be put in the underlined part. For availability, delivery and minimum order quantity, contact JST.

ex. **PNDP-28V-Z**
 Z...ivory K...black R...red E...blue M...green N...brown
 PK...pink D...orange

Shrouded header



| No. of circuits | Model No. | | Dimensions (mm) | | Q'ty/box |
|-----------------|--------------|--------------|-----------------|------|----------|
| | With boss | Without boss | A | B | |
| 8 | B08B-PNDZS-1 | B08B-PNDZS | 6.0 | 10.0 | 736 |
| 10 | B10B-PNDZS-1 | B10B-PNDZS | 8.0 | 12.0 | 608 |
| 12 | B12B-PNDZS-1 | B12B-PNDZS | 10.0 | 14.0 | 512 |
| 14 | B14B-PNDZS-1 | B14B-PNDZS | 12.0 | 16.0 | 448 |
| 16 | B16B-PNDZS-1 | B16B-PNDZS | 14.0 | 18.0 | 416 |
| 18 | B18B-PNDZS-1 | B18B-PNDZS | 16.0 | 20.0 | 352 |
| 20 | B20B-PNDZS-1 | B20B-PNDZS | 18.0 | 22.0 | 320 |
| 22 | B22B-PNDZS-1 | B22B-PNDZS | 20.0 | 24.0 | 288 |
| 24 | B24B-PNDZS-1 | B24B-PNDZS | 22.0 | 26.0 | 288 |
| 26 | B26B-PNDZS-1 | B26B-PNDZS | 24.0 | 28.0 | 256 |
| 28 | B28B-PNDZS-1 | B28B-PNDZS | 26.0 | 30.0 | 224 |
| 30 | B30B-PNDZS-1 | B30B-PNDZS | 28.0 | 32.0 | 224 |
| 32 | B32B-PNDZS-1 | B32B-PNDZS | 30.0 | 34.0 | 192 |
| 34 | B34B-PNDZS-1 | B34B-PNDZS | 32.0 | 36.0 | 192 |
| 36 | B36B-PNDZS-1 | B36B-PNDZS | 34.0 | 38.0 | 192 |
| 38 | B38B-PNDZS-1 | B38B-PNDZS | 36.0 | 40.0 | 160 |
| 40 | B40B-PNDZS-1 | B40B-PNDZS | 38.0 | 42.0 | 160 |
| 42 | B42B-PNDZS-1 | — | 40.0 | 44.0 | 160 |

Material and Finish

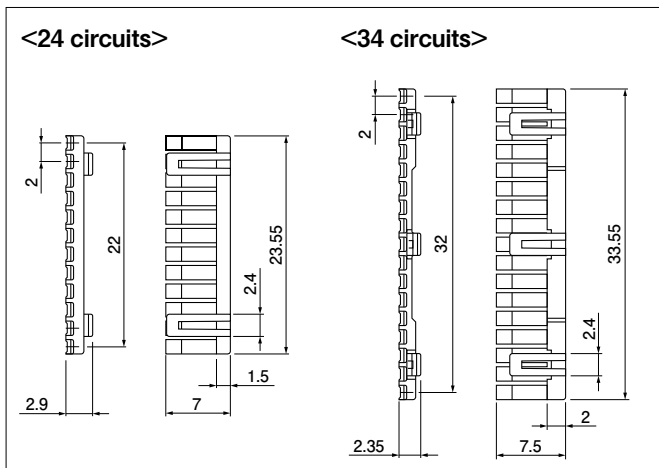
Post: Copper alloy, copper-undercoated, tin-plated (reflow treatment)
 Wafer: Glass-filled PA 66, UL94V-0, ivory

RoHS2 compliance

This product displays (LF)(SN) on a label. <For reference> As the color identification, the following alphabet shall be put in the underlined part. For availability, delivery and minimum order quantity, contact JST.

ex. **B28B-PNDZS-1**
 Z...ivory K...black R...red E...blue M...green
 N...brown PK...pink D...orange

Retainer



| No. of circuits | Model No. | Q'ty/bag |
|-----------------|------------|----------|
| 24 | PNDS-24V-Z | 1,000 |
| 34 | PNDS-34V-Z | 1,000 |

Material and Finish

Glass-filled PA 66, UL94V-0, ivory

RoHS2 compliance

X-ON Electronics

Largest Supplier of Electrical and Electronic Components

Click to view similar products for [Headers & Wire Housings](#) category:

Click to view products by [JST](#) manufacturer:

Other Similar products are found below :

[57102-F02-18ULF](#) [58102-G61-06LF](#) [0009485154](#) [009176003701906](#) [0050291907](#) [02.125.8002.8](#) [609-3404](#) [61062-3](#) [622-0430](#) [622-3653LF](#)
[63453-116](#) [636-1030](#) [636-1427](#) [636-3427](#) [636-4007](#) [641938-9](#) [644827-2](#) [65495-038](#) [65692-001LF](#) [65781-018](#) [65781-047](#) [65817-010LF](#)
[65817-015LF](#) [66207-023LF](#) [67016-026LF](#) [67095-007LF](#) [68631-112](#) [68645-018](#) [68648-049](#) [699319-000](#) [70.362.1628.0](#) [70-4210](#) [70-4226B](#)
[70-4853B](#) [707-5020](#) [707-5028](#) [71.350.2428.0](#) [71961-016LF](#) [733-134](#) [754199-000](#) [760-3052](#) [787-8014-00](#) [FCN-367T-T012/H](#) [80.063.4001.1](#)
[800-90-001-10-001000](#) [800-90-010-10-002000](#) [801-43-002-10-013000](#) [801-43-006-10-002000](#) [803-41-018-10-001000](#) [803-43-014-20-](#)
[001000](#)