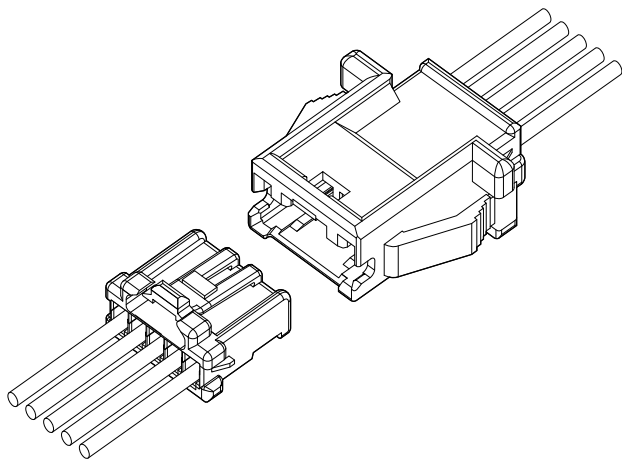


PNI CONNECTOR

2.0 mm pitch/Disconnectable Crimp style wire-to-wire connectors



This connector is a 2.0 mm pitch wire-to-wire connector, having incomplete mating prevention mechanism.

- Inertial lock structure
- Finger-friendly design
- Secure locking structure
- Mountable on a variety of panels
- Secondary retainer

Specifications

- Current rating: 3 A AC/DC (AWG #22)
- Voltage rating: 100 V AC/DC
- Temperature range: -25°C to +85°C
(including temperature rise in applying electrical current)
- Contact resistance: Initial value/ 15 mΩ max.
After environmental tests/ 25 mΩ max.
- Insulation resistance: 1,000 MΩ min.
- Withstanding voltage: 800 VAC/minute
- Applicable wire: AWG #28 to #22
- Applicable panel thickness: 0.5 to 2.0 mm

* In using the products, refer to "Handling Precautions for Terminals and Connectors" described on our website (Technical documents of Product information page).

* RoHS2 compliance

* Dimensional unit: mm

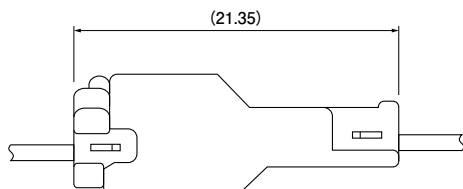
* Contact JST for details.

Standards

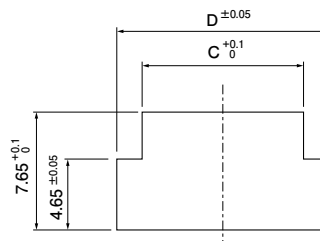
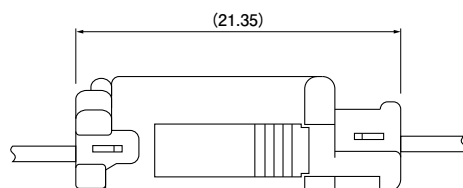
Ⓜ Recognized E60389

Panel layout and Assembly layout

- Without panel locks



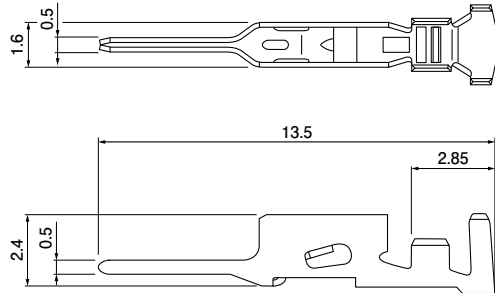
- With panel locks



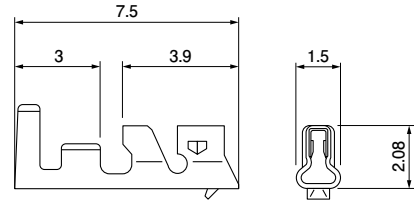
Note: C and D dimensions: Refer to receptacle housing.

Contact

●Pin contact



●Socket contact



Pin contact

| Model No. | Applicable wire | | Insulation O.D. (mm) | Q'ty/reel |
|----------------|-----------------|-------|----------------------|-----------|
| | mm ² | AWG # | | |
| SPNI-001T-P0.5 | 0.13~0.33 | 26~22 | 1.0~1.5 | 9,000 |
| SPNI-002T-P0.5 | 0.08~0.21 | 28~24 | 0.9~1.5 | 9,000 |

Material and Finish

Copper alloy, tin-plated (reflow treatment)

RoHS2 compliance

| Contact | Crimping machine | Applicator | | |
|----------------|------------------|------------------|----------------|----------------------------|
| | | Crimp applicator | Dies | Crimp applicator with dies |
| SPNI-001T-P0.5 | AP-K2N | MKS-L | MK/SPAL-001-05 | APLMK SPAL001-05 |
| SPNI-002T-P0.5 | | | MK/SPAL-002-05 | APLMK SPAL002-05 |

Note: Contact JST for fully automatic crimping applicator.

Socket contact

| Model No. | Applicable wire | | Insulation O.D. (mm) | Q'ty/reel |
|----------------|-----------------|-------|----------------------|-----------|
| | mm ² | AWG # | | |
| SPND-001T-C0.5 | 0.13~0.33 | 26~22 | 1.0~1.5 | 8,000 |
| SPND-002T-C0.5 | 0.08~0.22 | 28~24 | 0.8~1.5 | 8,000 |

Material and Finish

Copper alloy, tin-plated (reflow treatment)

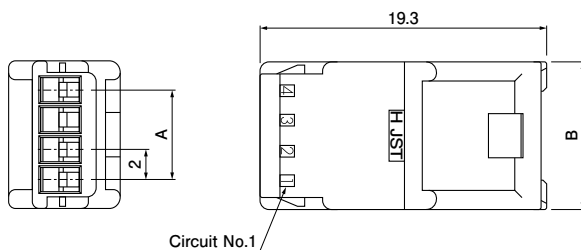
RoHS2 compliance

| Contact | Crimping machine | Applicator | | |
|----------------|------------------|------------------|-------------------|----------------------------|
| | | Crimp applicator | Dies | Crimp applicator with dies |
| SPND-001T-C0.5 | AP-K2N | MKS-L | MK/SPND-001-05 | APLMK SPND001-05 |
| SPND-002T-C0.5 | | | MK/SPAD/ND-002-05 | APLMK SPAD/ND002-05 |

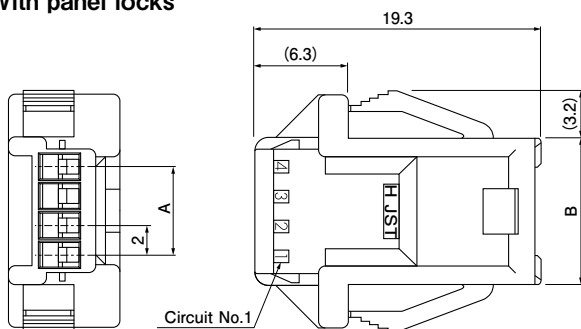
Note: Contact JST for fully automatic crimping applicator.

Receptacle housing (for pin contact)

Without panel locks



With panel locks



| No. of circuits | Model No. | | Dimensions (mm) | | | | Q'ty/bag |
|-----------------|---------------------|------------------|-----------------|------|------|------|----------|
| | Without panel locks | With panel locks | A | B | C | D | |
| 2 | PNIRR-02VF | PNIRR-02V | — | 6.0 | 6.4 | 9.7 | 1,000 |
| 3 | PNIRR-03VF | PNIRR-03V | 4.0 | 8.0 | 8.4 | 11.7 | 1,000 |
| 4 | PNIRR-04VF | PNIRR-04V | 6.0 | 10.0 | 10.4 | 13.7 | 500 |
| 5 | PNIRR-05VF | PNIRR-05V | 8.0 | 12.0 | 12.4 | 15.7 | 500 |
| 6 | PNIRR-06VF | PNIRR-06V | 10.0 | 14.0 | 14.4 | 17.7 | 500 |
| 8 | PNIRR-08VF | PNIRR-08V | 14.0 | 18.0 | 18.4 | 21.7 | 500 |
| 10 | PNIRR-10VF | PNIRR-10V | 18.0 | 22.0 | 22.4 | 25.7 | 500 |

Material and Finish

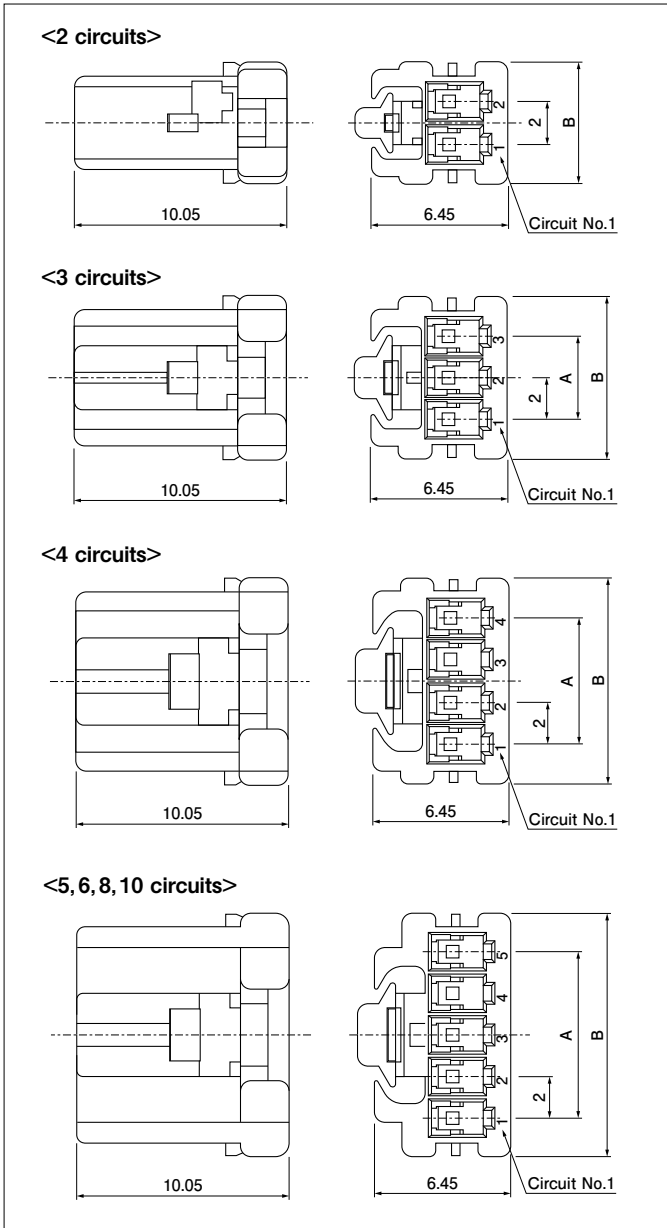
PA 66, UL94V-0, natural (white)

RoHS2 compliance

Note: C and D dimensions: Panel layout dimensions

PNI CONNECTOR

Socket housing (for socket contact)



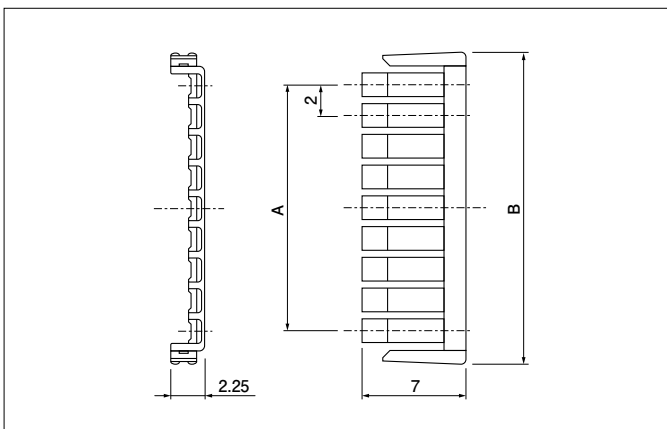
| No. of circuits | Model No. | Dimensions (mm) | | Q'ty/ bag |
|-----------------|-------------|-----------------|------|--------------|
| | | A | B | |
| 2 | PNIRP-02V-S | — | 5.7 | 1,000 |
| 3 | PNIRP-03V-S | 4.0 | 7.7 | 1,000 |
| 4 | PNIRP-04V-S | 6.0 | 9.7 | 1,000 |
| 5 | PNIRP-05V-S | 8.0 | 11.7 | 1,000 |
| 6 | PNIRP-06V-S | 10.0 | 13.7 | 1,000 |
| 8 | PNIRP-08V-S | 14.0 | 17.7 | 1,000 |
| 10 | PNIRP-10V-S | 18.0 | 21.7 | 1,000 |

Material and Finish

Glass-filled PBT, UL94V-0, natural (white)

RoHS2 compliance

Retainer



| No. of circuits | Model No. | Dimensions (mm) | | Q'ty/ bag |
|-----------------|-----------|-----------------|------|--------------|
| | | A | B | |
| 2 | PNIS-02V | — | 6.3 | 1,000 |
| 3 | PNIS-03V | 4.0 | 8.3 | 1,000 |
| 4 | PNIS-04V | 6.0 | 10.3 | 1,000 |
| 5 | PNIS-05V | 8.0 | 12.3 | 1,000 |
| 6 | PNIS-06V | 10.0 | 14.3 | 1,000 |
| 8 | PNIS-08V | 14.0 | 18.3 | 1,000 |
| 10 | PNIS-10V | 18.0 | 22.3 | 1,000 |

Material and Finish

Glass-filled PA 66, UL94V-0, natural (ivory)

RoHS2 compliance

X-ON Electronics

Largest Supplier of Electrical and Electronic Components

Click to view similar products for [Headers & Wire Housings](#) category:

Click to view products by [JST](#) manufacturer:

Other Similar products are found below :

[57102-F02-18ULF](#) [58102-G61-06LF](#) [0009485154](#) [009176003701906](#) [0050291907](#) [02.125.8002.8](#) [609-3404](#) [61062-3](#) [622-0430](#) [622-3653LF](#)
[63453-116](#) [636-1030](#) [636-1427](#) [636-3427](#) [636-4007](#) [641938-9](#) [644827-2](#) [65495-038](#) [65692-001LF](#) [65781-018](#) [65781-047](#) [65817-010LF](#)
[65817-015LF](#) [66207-023LF](#) [67016-026LF](#) [67095-007LF](#) [68631-112](#) [68645-018](#) [68648-049](#) [699319-000](#) [70.362.1628.0](#) [70-4210](#) [70-4226B](#)
[70-4853B](#) [707-5020](#) [707-5028](#) [71.350.2428.0](#) [71961-016LF](#) [733-134](#) [754199-000](#) [760-3052](#) [787-8014-00](#) [FCN-367T-T012/H](#) [80.063.4001.1](#)
[800-90-001-10-001000](#) [800-90-010-10-002000](#) [801-43-002-10-013000](#) [801-43-006-10-002000](#) [803-41-018-10-001000](#) [803-43-014-20-](#)
[001000](#)