



PS CONNECTOR

Connectors for tabs

- **Secure locking, easy insertion**
- **Stable contact performance**
- **Mis-insertion prevention mechanism and housing lance**
- **Tab mis-mating prevention mechanism (Short housing type)**
- **The product compatible with glow wire is also available for short housing type.**

Standards

Recognized E60389

Certified LR20812

R9850196

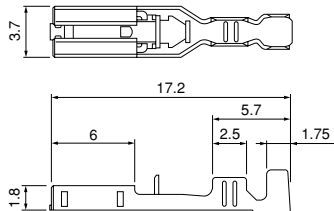
Specifications

- Current rating: 25 A AC, DC (#250 Tab/AWG #10)
 - Voltage rating: 250 V AC, DC
 - Temperature range: -40°C to +105°C
(including temperature rise in applying electrical current)
 - Contact resistance: Initial value/ 3 mΩ max.
After environmental tests/ 6 mΩ max.
 - Insulation resistance: 1,000 MΩ min.
 - Withstanding voltage: 2,000 VAC/minute
 - Applicable wire: #110...AWG #24 to #16 #187...AWG #26 to #14
#205...AWG #22 to #14 #250...AWG #22 to #10
 - Applicable Tab: #110 Tab 0.5 mm thick
#187 Tab 0.5 mm/ 0.8 mm thick
#205 Tab 0.5 mm/ 0.8 mm thick
#250 Tab 0.8 mm thick
- * Contact JST when you use the glow wire correspondence product of PS-250-G (Short housing type).
* Refer to "General Instruction and Notice when using Terminals and Connectors" at the end of this catalog.
* Contact JST for details.
* Compliant with RoHS.

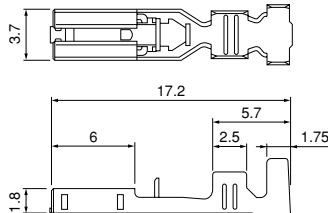
Contact

#110 Series

SPS-01T-110



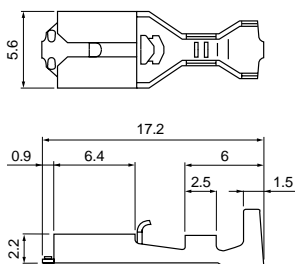
SPS-41T-110



#187 Series

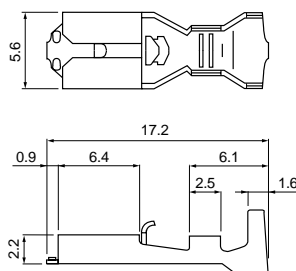
SPS-01T-187

(for 0.5 mm thick tabs)



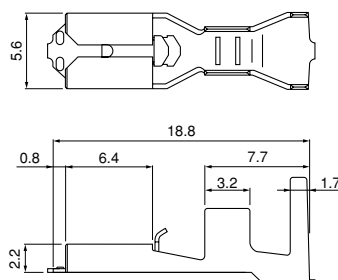
SPS-51T-187

(for 0.5 mm thick tabs)



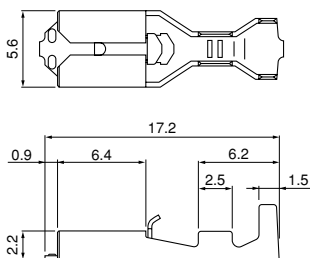
SPS-82T-187

(for 0.5 mm thick tabs)



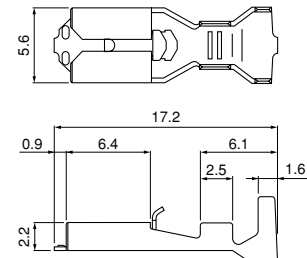
SPS-01T-187-8

(for 0.8 mm thick tabs)



SPS-51T-187-8

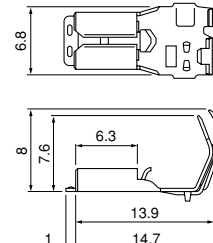
(for 0.8 mm thick tabs)



<Flag type>

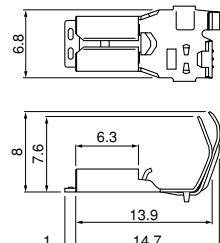
SFPS-41T-187

(for 0.5 mm thick tabs)



SFPS-41T-187-8

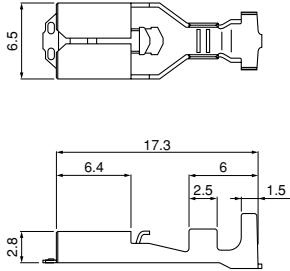
(for 0.8 mm thick tabs)



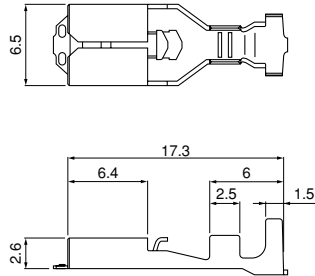
Contact

#205 Series

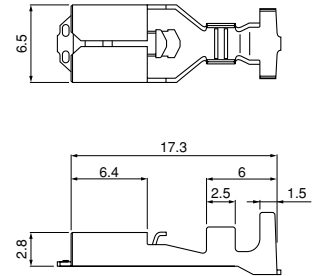
SPS-21T-205
(for 0.8 mm thick tabs)



SPS-21T-205-5
(for 0.5 mm thick tabs)

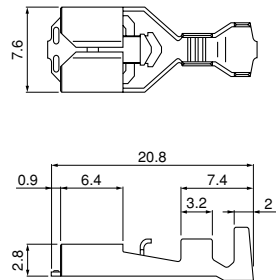


SPS-51T-205
(for 0.8 mm thick tabs)

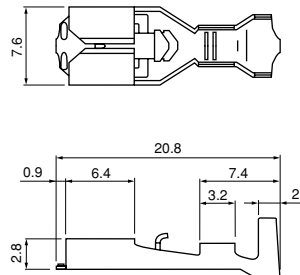


#250 Series

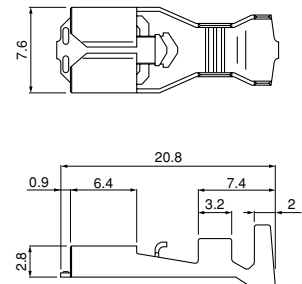
SPS-21T-250



SPS-61T-250

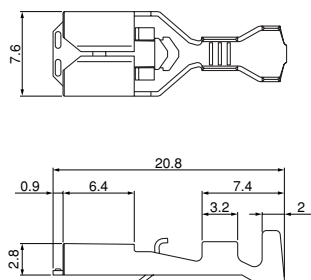


SPS-91T-250

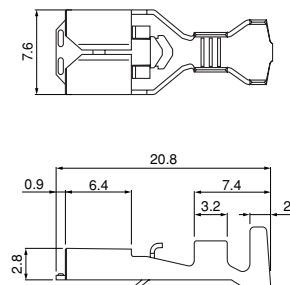


<Short housing type>

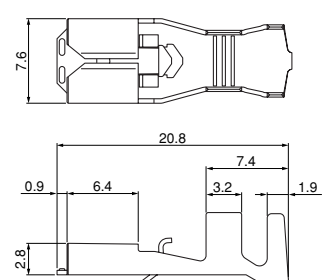
SPS-21T-250R



SPS-61T-250R



SPS-91T-250R



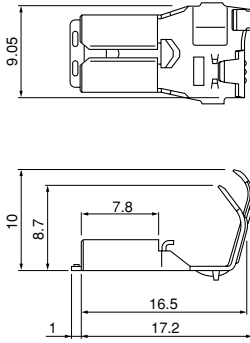
PS CONNECTOR

Contact

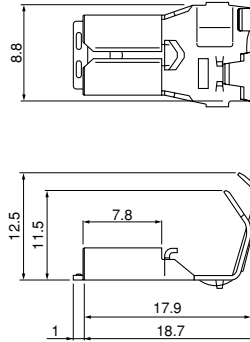
#250 Series

<Flag type>

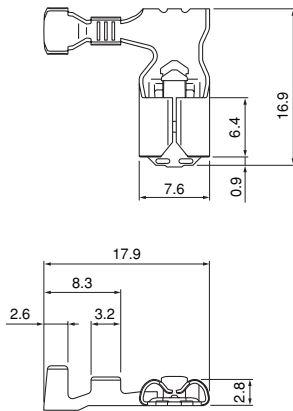
SFPS-61T-250



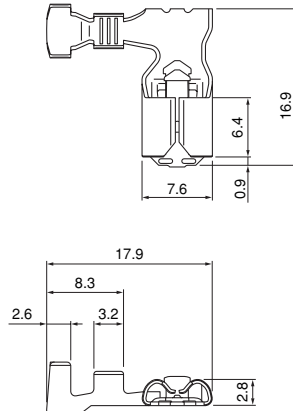
SFPS-91T-250



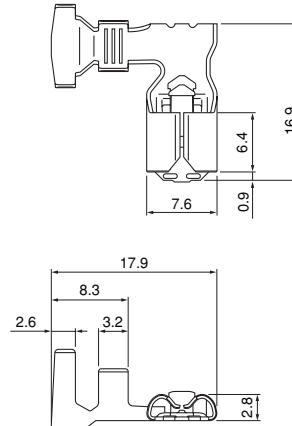
SFPS-21T-250H



SFPS-61T-250H

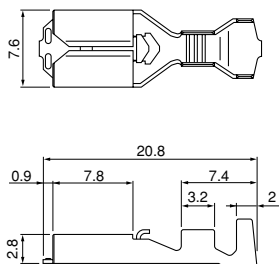


SFPS-91T-250H

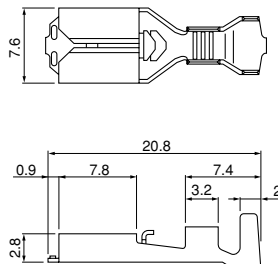


#250S Series

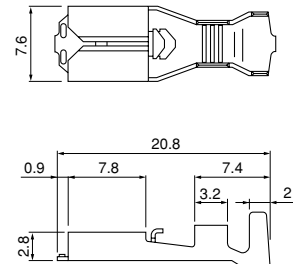
SPS-21T-250S



SPS-61T-250S



SPS-91T-250S



Contact

| Series | Model No. | Applicable wire | | Insulation O.D.(mm) | Q'ty/reel | |
|-----------|-----------------------|----------------------------|--------------------|----------------------------|-----------|--------|
| | | mm ² | AWG # | | | |
| #110 | SPS-01T-110 | 0.21~0.5 | 24~20 | 1.0~2.5 | 10,000 | |
| | SPS-41T-110 | 0.5 ~ 1.31 | 20~16 | 1.9~3.4 | 10,000 | |
| #187 | for 0.5 mm thick tabs | SPS-01T-187 | 0.13~0.5 | 26~20 | 1.3~3.4 | |
| | | SPS-51T-187 | 0.5 ~ 2.0 | 20~14 | 1.9~3.6 | |
| | *SPS-82T-187 | 0.75+0.75~1.25+1.25 | 18+18~16+16 | 2.1+2.1~2.9+2.9 | 3,500 | |
| | for 0.8 mm thick tabs | SPS-01T-187-8 | 0.13~0.5 | 26~20 | 1.3~3.4 | 10,000 |
| | | SPS-51T-187-8 | 0.5 ~ 2.0 | 20~14 | 1.9~3.6 | 7,500 |
| #187 flag | for 0.5 mm thick tabs | SFPS-41T-187 | 0.3 ~ 1.25 | 22~16 | 1.7~3.4 | |
| | for 0.8 mm thick tabs | SFPS-41T-187-8 | 0.3 ~ 1.31 | 22~16 | 1.7~3.4 | |
| #205 | for 0.8 mm thick tabs | SPS-21T-205 | 0.3 ~ 0.75 | 22~18 | 1.5~3.1 | |
| | for 0.5 mm thick tabs | SPS-21T-205-5 | 0.3 ~ 0.75 | 22~18 | 1.5~3.1 | |
| | for 0.8 mm thick tabs | SPS-51T-205 | 0.5 ~ 2.0 | 20~14 | 1.9~3.6 | |
| #250 | SPS-21T-250 | 0.3 ~ 0.75 | 22~18 | 1.5~3.1 | 5,000 | |
| | SPS-21T-250R | 0.3 ~ 0.75 | 22~18 | 1.5~3.1 | 3,500 | |
| | SPS-61T-250 | 0.75~2.0 | 18~14 | 2.1~3.9 | 5,000 | |
| | SPS-61T-250R | 0.75~2.0 | 18~14 | 2.1~3.9 | 3,500 | |
| | SPS-91T-250 | 2.0 ~ 5.5 | 14~10 | 3.0~4.7 | 4,000 | |
| | SPS-91T-250R | 2.0 ~ 5.5 | 14~10 | 3.0~4.7 | 3,500 | |
| #250 flag | SFPS-61T-250 | 0.75~2.0 | 18~14 | 2.1~3.9 | 3,000 | |
| | SFPS-91T-250 | 3.5 ~ 5.5 | 12~10 | 4.0~5.2 | 2,000 | |
| | SFPS-21T-250H | 0.3 ~ 0.75 | 22~18 | 1.5~3.1 | 2,400 | |
| | SFPS-61T-250H | 0.75~2.0 | 18~14 | 2.1~3.9 | 2,000 | |
| | SFPS-91T-250H | 2.0~5.5, 1.25+1.25~2.0+2.0 | 14~10, 16+16~14+14 | 3.5~7.2, 1.75+1.75~3.6+3.6 | 1,300 | |
| #250S | SPS-21T-250S | 0.3 ~ 0.75 | 22~18 | 1.5~3.1 | 5,000 | |
| | SPS-61T-250S | 0.75~2.0 | 18~14 | 2.1~3.9 | 5,000 | |
| | SPS-91T-250S | 2.0 ~ 5.5 | 14~10 | 3.0~4.7 | 4,000 | |

Material and Finish

Brass, tin-plated (reflow treatment)

RoHS compliance

Note: *Marked product is not approved by CSA/TÜV standards.

| Contact | Crimping machine | Applicator | | |
|-------------------|------------------|------------------|------------------|----------------------------|
| | | Crimp applicator | Dies | Crimp applicator with dies |
| SPS-01T-110 | AP-K2N | MK-L-SPS | MK/SPS-01-110 | APLMK SPS01-110 |
| | | — | — | — |
| SPS-41T-110 | | MK-L-SPS | MK/SPS-41-110 | APLMK SPS41-110 |
| | | — | — | — |
| SPS-01T-187 (-8) | | MK-L-SPS | MK/SPS-01-187 | APLMK SPS01-187 |
| — | | — | — | — |
| SPS-51T-187 (-8) | | MK-L-SPS | MK/SPS-51-187 | APLMK SPS51-187 |
| — | | — | — | — |
| SPS-82T-187 | | MK-L-SPS | MK/SPS-82-187 | APLMK SPS82-187 |
| — | | — | — | — |
| SFPS-41T-187 (-8) | | MKF-L-PS187 | MK/SFPS-41-187 | APL SFPS41-187 |
| — | | — | — | — |
| SPS-21T-205 (-5) | | MK-L-SPS | MK/SPS-21-205 | APLMK SPS21-205 |
| — | | — | — | — |
| SPS-51T-205 | | MK-L-SPS | MK/SPS-51-205 | APLMK SPS51-205 |
| — | | — | — | — |
| SPS-21T-250 (S) | MK-L-SPS | MK/SPS-21-250 | APLMK SPS21-250 | |
| — | — | — | — | |
| SPS-21T-250R | MK-L-SPS | MK/SPS-21-250R | APLMK SPS21-250R | |
| — | — | — | — | |

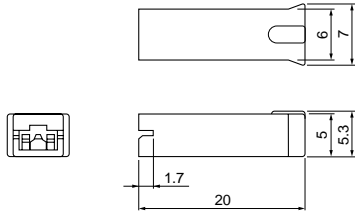
| Contact | Crimping machine | Applicator | | |
|-----------------|------------------|------------------|-------------------|----------------------------|
| | | Crimp applicator | Dies | Crimp applicator with dies |
| SPS-61T-250 (S) | AP-K2N | MK-L-SPS | MK/SPS-61-250 | APLMK SPS61-250 |
| | | — | — | — |
| SPS-61T-250R | | MK-L-SPS | MK/SPS-61-250R | APLMK SPS61-250R |
| | | — | — | — |
| SPS-91T-250 (S) | | MK-L-SPS | MK/SPS-91-250 | APLMK SPS91-250 |
| | | — | — | — |
| SPS-91T-250R | | MK-L-SPS | MK/SPS-91-250R | APLMK SPS91-250R |
| | | — | — | — |
| SFPS-61T-250 | | MKF-L-PS250 | MK/SFPS-61-250 | APL SFPS61-250 |
| | | — | — | — |
| SFPS-91T-250 | | MKF-L-PS9250 | MK/SFPS-91-250 | APL SFPS91-250 |
| | | — | — | — |
| SFPS-21T-250H | | MKS-L-RASRSF | MK/SFPS-21-250H | APLMK SFPS21-250H |
| | | — | — | — |
| SFPS-61T-250H | | MKS-L-RASRSF | MK/SFPS-61-250H | APLMK SFPS61-250H |
| | | — | — | — |
| SFPS-91T-250H | MKS-L-RASRSF | MK/SFPS-91-250H | APLMK SFPS91-250H | |
| | — | — | — | |

PS CONNECTOR

Housing

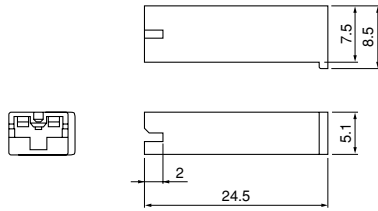
#110 Series

PS-110

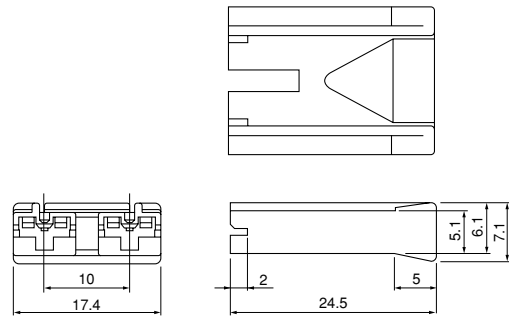


#187 Series

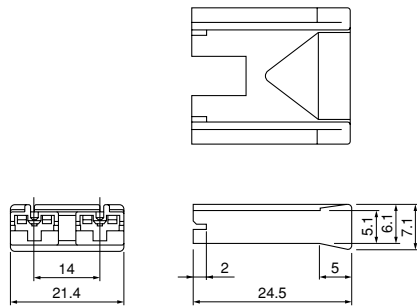
PS-187



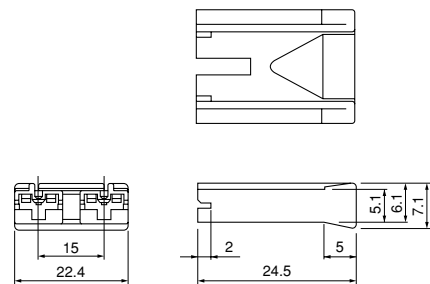
PS-187-2A-10



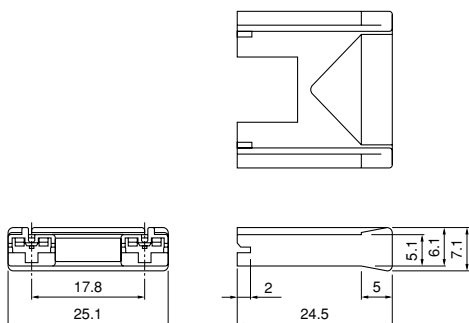
PS-187-2A-14



PS-187-2A-15



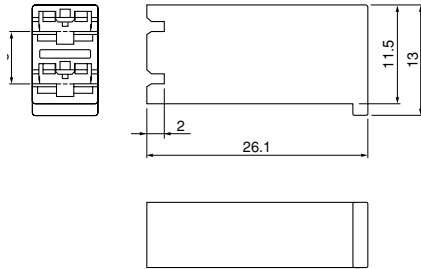
PS-187-2A-17.8



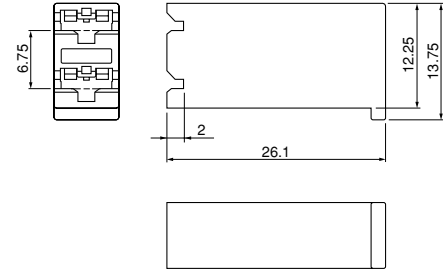
Housing

#187 Series

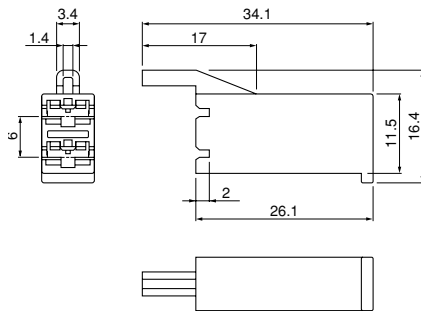
PS-187-2B



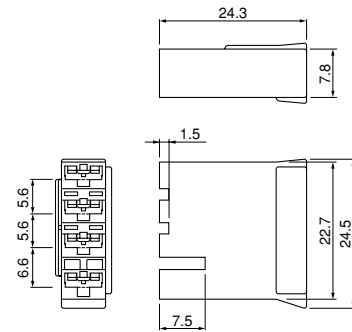
PS-187-2B-6.75



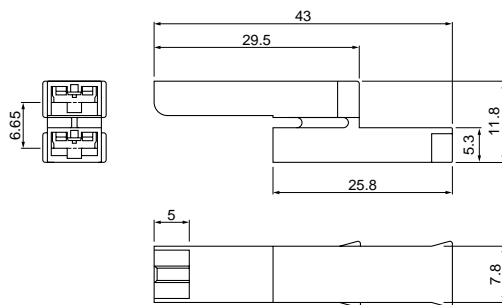
PS-187-2B1



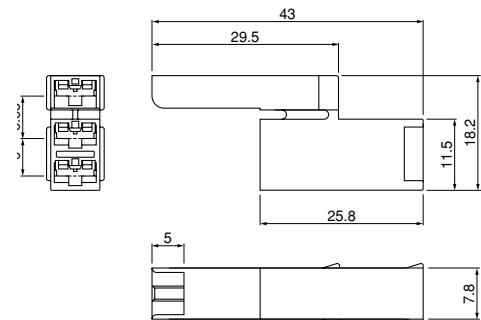
PS-187-4B



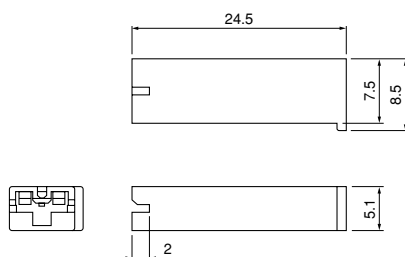
PS-187-2V



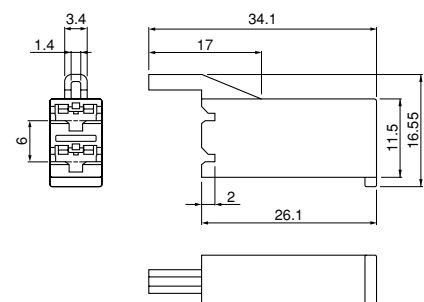
PS-187-3V



PS-187-8-H



PS-187-2B1-8-H

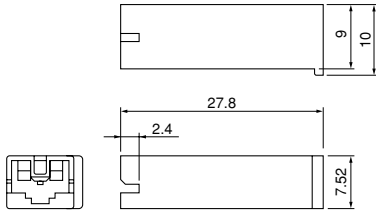


PS CONNECTOR

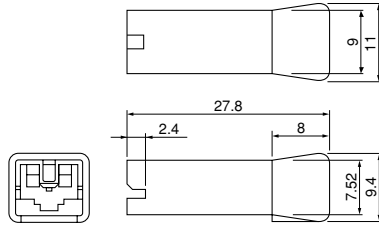
Housing

#250 Series

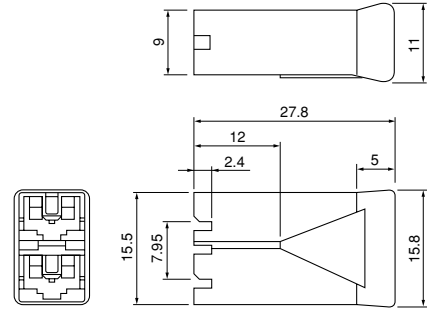
PS-250



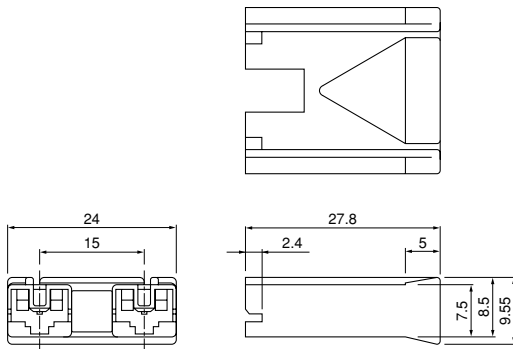
PS-250-A



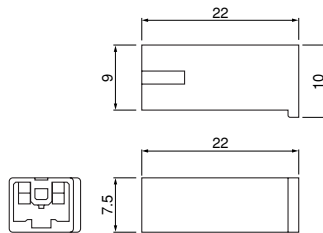
PS-250-2B



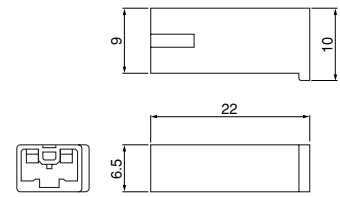
PS-250-2A-15



<Short housing type> PS-250-G (-WGJ2)

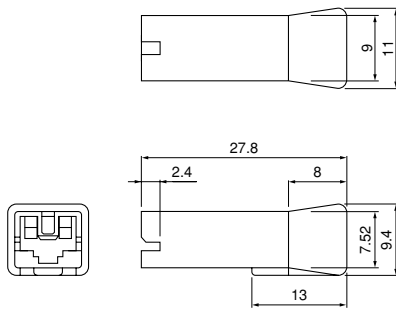


PS-250-GL (Thin type)



#250S Series

NPS-250-A

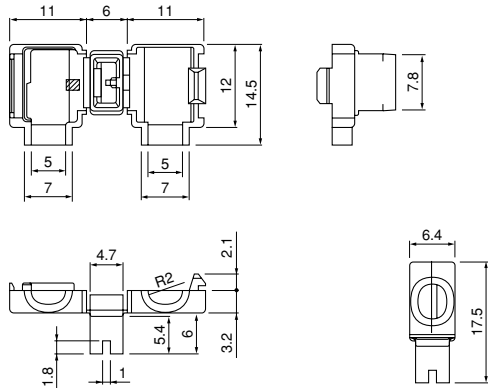


PS CONNECTOR

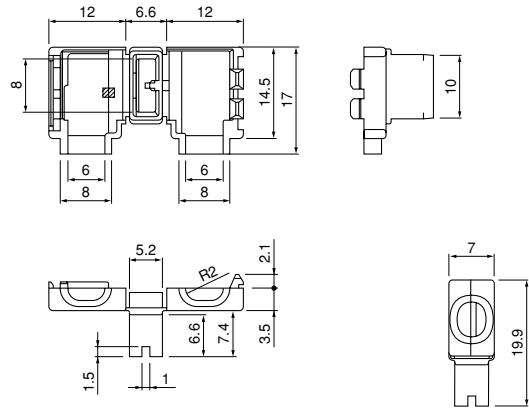
Housing

One-touch sleeve

FPS-187



FPS-250



| Series | Model No. | Qty/bag | Applicable terminal |
|------------------|---|---------|--|
| #110 | PS-110 | 1,000 | SPS-01T-110, SPS-41T-110 |
| #187 | PS-187 | 1,000 | SPS-01T-187 SPS-51T-187 SPS-82T-187 |
| | PS-187-2A-10 | 500 | |
| | PS-187-2A-14 | 500 | |
| | PS-187-2A-15 | 500 | |
| | PS-187-2A-17.8 | 500 | |
| | PS-187-2B | 500 | |
| | PS-187-2B-6.75 | 500 | |
| | PS-187-2B1 | 500 | |
| | PS-187-4B | 500 | |
| | PS-187-2V | 500 | |
| | PS-187-3V | 500 | |
| #250 | PS-250 | 1,000 | SPS-21T-250 SPS-61T-250 SPS-91T-250 |
| | PS-250-A | 500 | |
| | PS-250-2B | 500 | |
| #250S | PS-250-2A-15 | 500 | SPS-21T-250R SPS-61T-250R SPS-91T-250R |
| | PS-250-G | 1,400 | |
| | PS-250-GL | 1,400 | |
| | PS-250-G-WGJ2 (Compatible with glow wire) | 1,400 | |
| #250S | NPS-250-A | 1,000 | SPS-21T-250S SPS-61T-250S SPS-91T-250S |
| One-touch sleeve | * FPS-187 | 500 | SFPS-41T-187 |
| | * FPS-250 | 500 | SFPS-61T-250 |

Material and Finish

PA 66, UL94V-0, natural (white)
 UL94V-0, gray <*-marked housing...for 0.8 mm thick tabs>
 PA 6, UL94V-2, natural (white) (Compatible with glow wire)

RoHS compliance

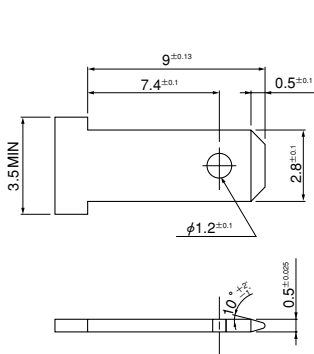
Note: FPS-187 and FPS-250 are UL recognized with File No. E55167 and CSA certified with File No. LR83372, but not TÜV approved.

PS CONNECTOR

Applicable tab

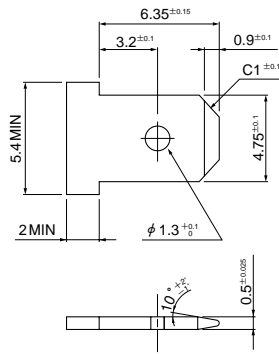
#110

(for 0.5 mm thick tabs)

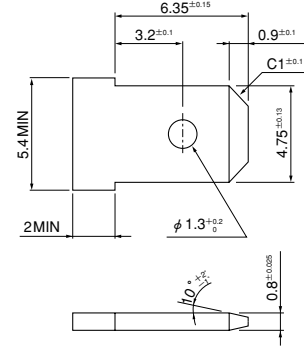


#187

(for 0.5 mm thick tabs)

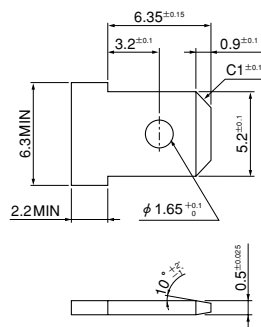


(for 0.8 mm thick tabs)

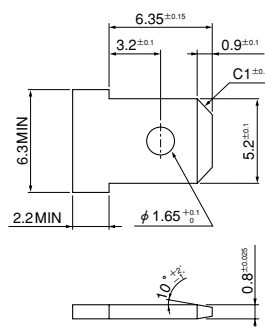


#205

(for 0.5 mm thick tabs)

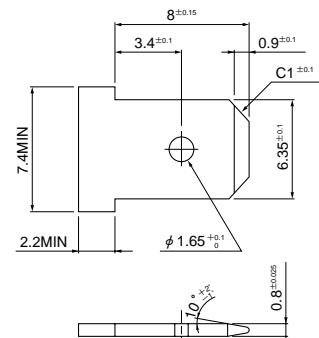


(for 0.8 mm thick tabs)



#250

(for 0.8 mm thick tabs)



Note: 1. Contact JST when using PS connector for Micro-switch.

2. Make sure there are no unneeded ribs or other protuberances on tab surfaces.

3. Use the brass product for material.

4. Contact JST when using PS-187-4B.

X-ON Electronics

Largest Supplier of Electrical and Electronic Components

Click to view similar products for [Headers & Wire Housings](#) category:

Click to view products by [JST](#) manufacturer:

Other Similar products are found below :

[95000-104TRLF](#) [10135584-644402LF](#) [DF62W-EP2022PCA](#) [95000-106TRLF](#) [DF62W-2022SCA](#) [DF62W-EP2022PC](#) [2203348](#) [DF62W-2022SC](#) [1084018](#) [1029039](#) [1084017](#) [802-10-012-10-002000](#) [1112640](#) [1112639](#) [891-007-9SS-BST1T](#) [000-34000](#) [0008550134](#) [0009482033](#) [0009507031](#) [57102-F02-18ULF](#) [57102-S06-03LF](#) [57202-S52-04LF](#) [PCN6-15S-2.5E](#) [0039019024](#) [58102-G61-06LF](#) [582553-1](#) [0009485154](#) [0009508121](#) [0022285053](#) [0050291907](#) [018731A](#) [LY20-4P-DT1-P1E-BR](#) [02.125.8002.8](#) [60101931](#) [60598-1 \(Cut Strip\)](#) [M1625-3R/100](#) [61062-3](#) [61082-181009](#) [CSU011177004](#) [636-1427](#) [638009-1](#) [641938-9](#) [641991-4](#) [644168-1](#) [644827-2](#) [647662-1](#) [65039-019ELF](#) [65692-001LF](#) [65781-018](#) [65781-047](#)