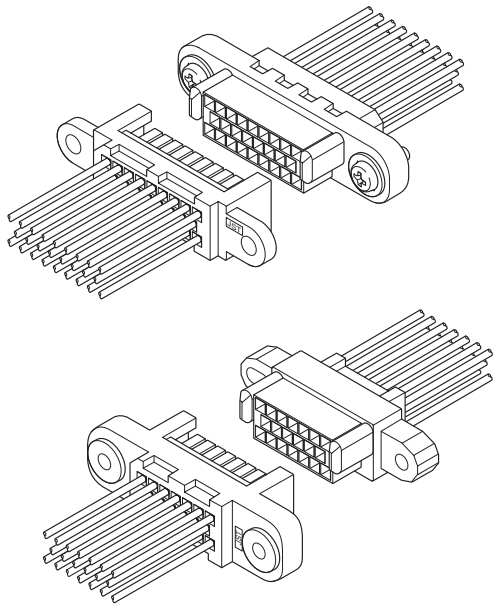




RPJ CONNECTOR

2.7mm pitch/Disconnectable Crimp style Wire-to-wire connectors



The pin and socket are adopted for use as the small rack panel connector.

- Compact design
- Floating mechanism
- Contact lance

Specifications

- Current rating: 2 A AC, DC (AWG #24)
- Voltage rating: 250 V AC, DC
- Temperature range: -25°C to +85°C
(including temperature rise in applying electrical current)
- Contact resistance: Initial value/ 20 mΩ max.
After environmental tests/ 30 mΩ max.
- Insulation resistance: 1,000 MΩ min.
- Withstanding voltage: 1,000 VAC/minute
- Applicable wire: AWG #28 to #24

* Refer to "General Instruction and Notice when using Terminals and Connectors" at the end of this catalog.

* Contact JST for details.

* Compliant with RoHS.

Standards

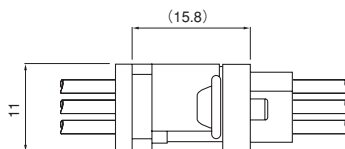
Recognized E60389

Certified LR20812

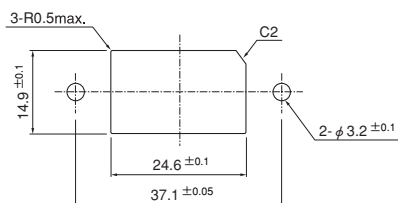
J50185783

Panel layout and Assembly layout

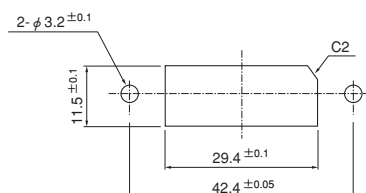
Plug



<20 circuits>



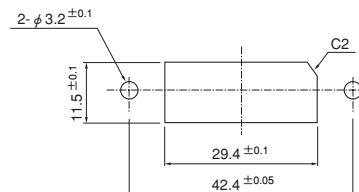
<26 circuits>



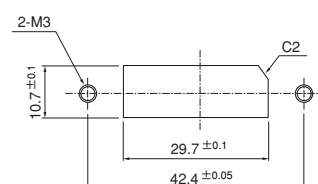
Receptacle



<20 circuits>

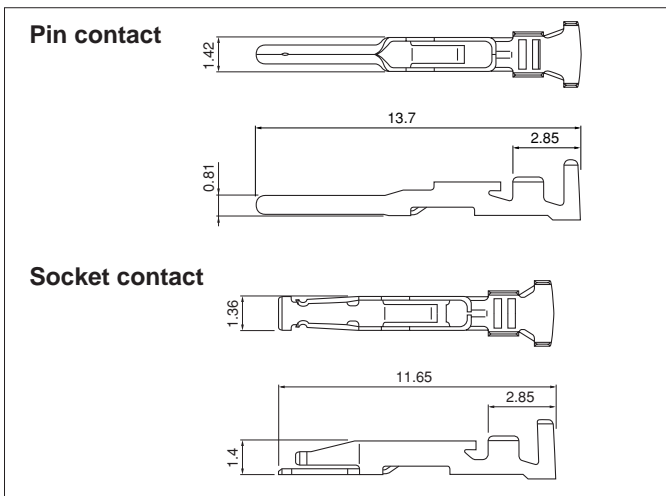


<26 circuits>



RPJ CONNECTOR

Contact



| Model No. | | Applicable wire | | Insulation O.D. (mm) | Q'ty/reel |
|-------------|----------------|-----------------|-------|----------------------|-----------|
| Pin contact | Socket contact | mm ² | AWG # | | |
| RPJ-SP2331 | RPJ-SS2331 | 0.08~0.22 | 28~24 | 0.9~1.5 | 10,000 |

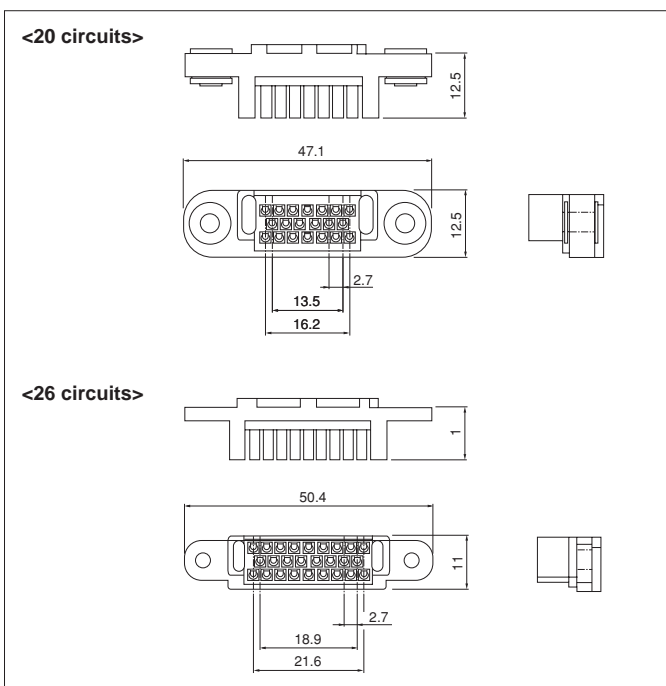
Material and Finish

Phosphor bronze, nickel-undercoated, gold-plated

RoHS compliance

| Contact | Crimping machine | Applicator | | |
|------------|------------------|------------------|---------------|----------------------------|
| | | Crimp applicator | Dies | Crimp applicator with dies |
| RPJ-SP2331 | AP-K2N | MKS-L | MK/RPJ-SP/SS2 | APLMK RPJ-SP/SS2 |
| RPJ-SS2331 | | — | — | — |

Plug housing (for socket contact)



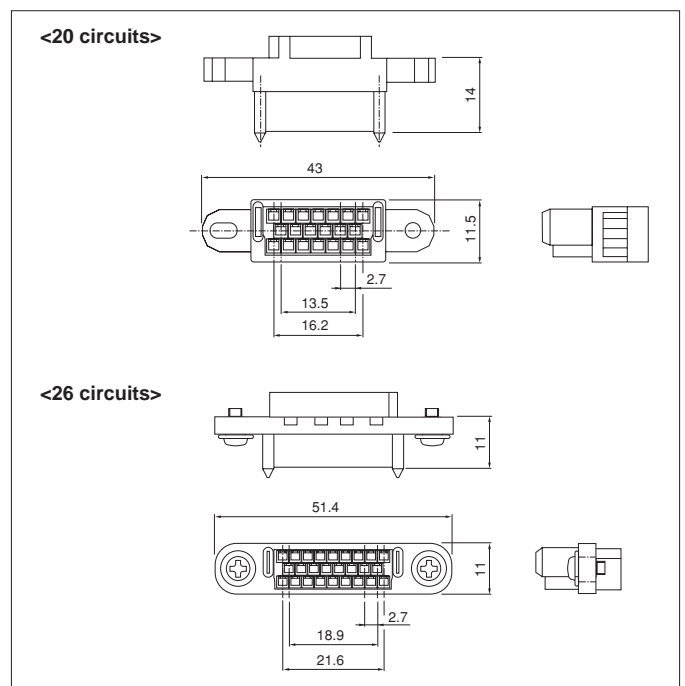
| Circuits | Model No. | Q'ty/box |
|----------|-----------|----------|
| 20 | RPJ-20PRW | 50 |
| 26 | RPJ-26P | 50 |

Material and Finish

Plug housing: Glass-filled PBT, UL94V-0
 Washer: Brass, nickel-plated (RPJ-20PRW)
 Rivet: Brass, nickel-plated (RPJ-20PRW)

RoHS compliance

Receptacle housing (for pin contact)



| Circuits | Model No. | Q'ty/box |
|----------|-----------|----------|
| 20 | RPJ-20R | 50 |
| 26 | RPJ-26RS | 50 |

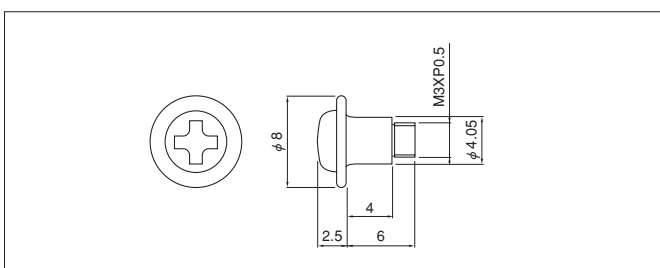
Material

Receptacle housing: Glass-filled PBT, UL94V-0

RoHS compliance

Note: Two screws are supplied under the same package of RPJ-26RS.

Screw



Note: Two screws are supplied for one receptacle housing, RPJ-26RS.

X-ON Electronics

Largest Supplier of Electrical and Electronic Components

Click to view similar products for [Headers & Wire Housings](#) category:

Click to view products by [JST](#) manufacturer:

Other Similar products are found below :

[0015917161](#) [0022155065](#) [57102-F02-18ULF](#) [58102-G61-06LF](#) [582553-1](#) [01.001.5753.1](#) [0050291907](#) [02.125.8002.8](#) [609-3404](#) [61062-3](#)
[CSU011177004](#) [622-0430](#) [622-3653LF](#) [63453-116](#) [636-1030](#) [636-1427](#) [636-3427](#) [636-4007](#) [641938-9](#) [65495-038](#) [65692-001LF](#) [65781-018](#)
[65781-047](#) [65817-010LF](#) [65817-015LF](#) [67095-007LF](#) [67601157](#) [68631-112](#) [68645-018](#) [699319-000](#) [70.362.1628.0](#) [70-4210](#) [70-4226B](#) [70-](#)
[4853B](#) [71.350.2428.0](#) [733-134](#) [733-162](#) [MHR-64-VUAL](#) [80.063.4001.1](#) [800-90-001-10-001000](#) [801-43-002-10-013000](#) [801-43-006-10-](#)
[002000](#) [803-43-024-10-001000](#) [803-93-012-10-001000](#) [8-1437020-4](#) [819-22-004-30-001101](#) [820-22-006-30-001101](#) [820-22-008-30-001101](#)
[821-22-002-10-001101](#) [821-22-003-10-002101](#)