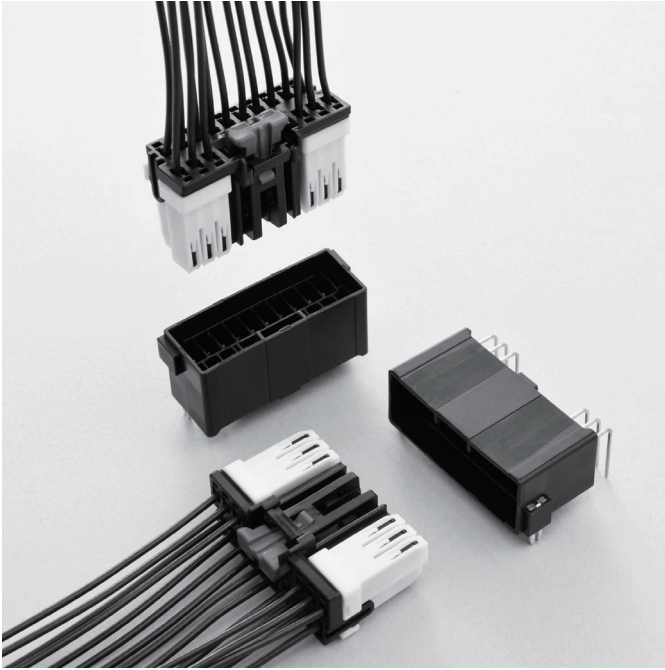


TLDR CONNECTOR

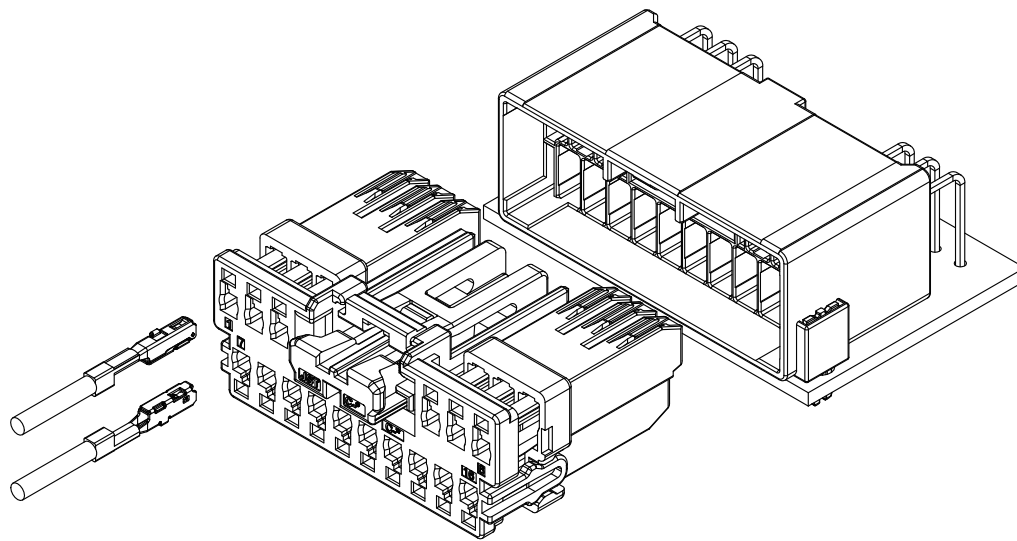
Board-to-wire



0.64 low profile automotive connectors for High voltage and low current applications

Features

- High voltage, low current
- Terminal Secondary Lock and CPA function
- Individual Chamber
- Low profile

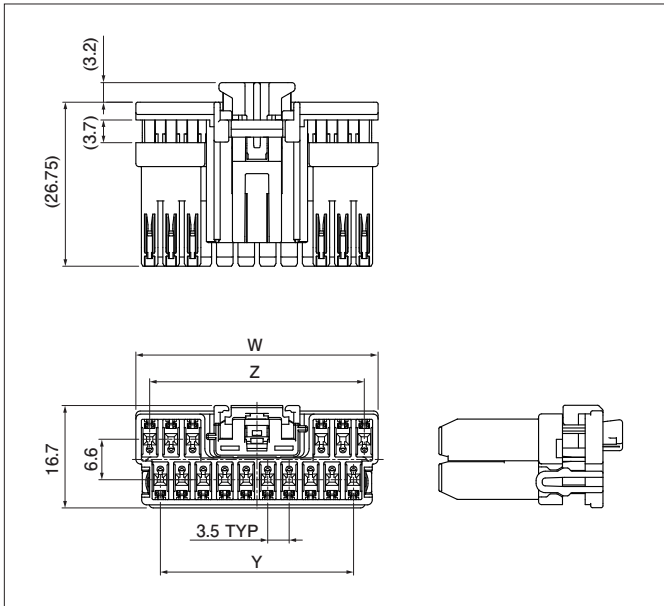


Specifications

- Current rating: 5.0 A DC max.
- Voltage rating: 600 V max.
- Temperature range: -40°C to +125°C
(including temperature rise in applying electrical current)
- Contact resistance: Initial value/ 20 mΩ max.
After environmental tests/ 20 mΩ max.
- Applicable wire: ISO6722-1
0.35 mm² to 0.5 mm² (AWG #22 to #20)

* Compliant with ELV/RoHS2.
* Contact JST for details.

Female connector



No. of circuits	Model No.	Dimensions (mm)			Color			Q'ty /box
		W	Y	Z	Shroud	TLC	CPA	
12	TLDRPB-12-2ED	32.5	24.5	28.0	Orange	Orange	Red	1,200
16	TLDRPB-16-2AK	39.5	31.5	35.0	Natural	Black		1,000
	TLDRPB-16-2BH					Gray		

Material and Finish

Shroud, Terminal Lock Carrier (TLC) and CPA: Glass-filled PBT

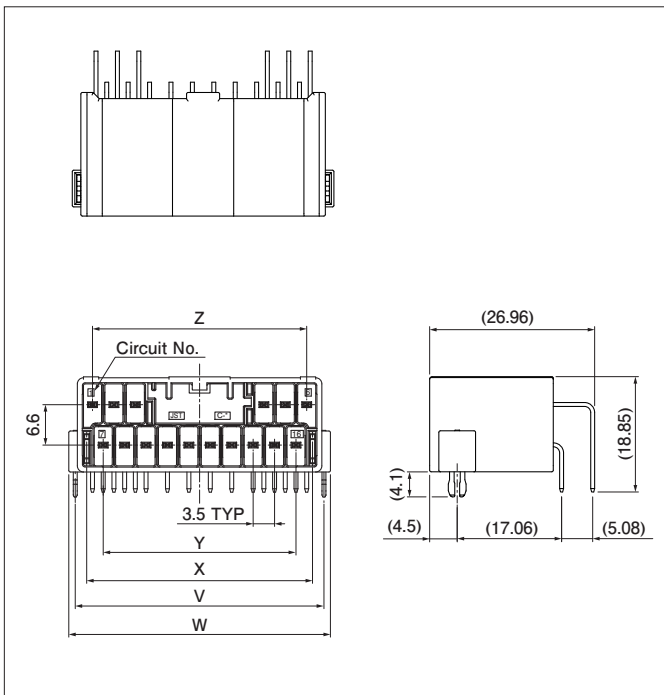
Female terminal	Applicable wire range		
	Conductor (mm ²)	Conductor (AWG)	Insulation O.D. (mm)
2035334-3 or equivalent	0.35 to 0.5	22 to 20	1.5 to 1.85

Material and Finish

Copper alloy, tin-plated (Refer to TE connectivity for details.)

Note: Contact JST for other circuits.

Male connector (Side entry type)



No. of circuits	Model No.	Dimensions (mm)					Housing Color	Q'ty /box
		V	W	X	Y	Z		
12	S12B-TLDR-2ED	33.64	35.75	29.9	24.5	28.0	Orange	768
16	S16B-TLDR-2AK	40.64	42.75	36.9	31.5	35.0	Black	576
	S16B-TLDR-2BH						Gray	

Material and Finish

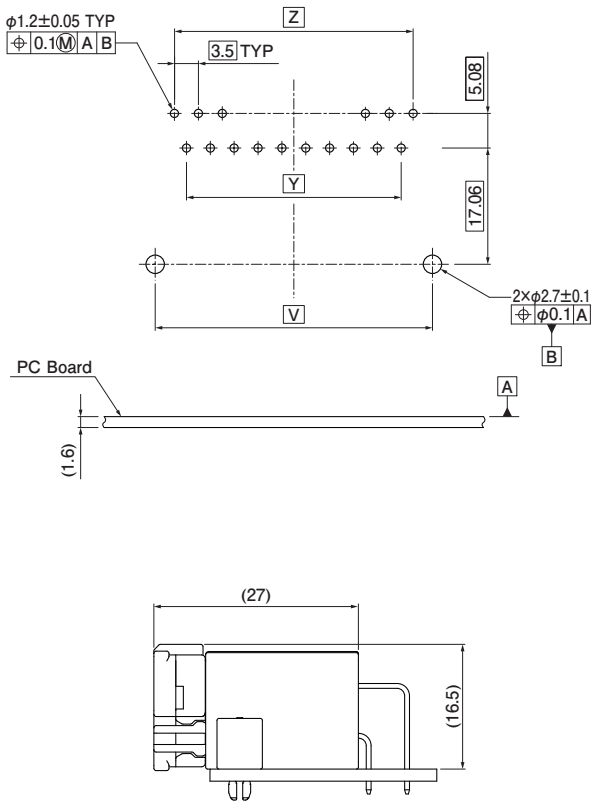
Housing : Glass-filled PBT

Pin: Brass, tin-plated

Reinforcement: Phospor bronze, tin-plated

TLDR CONNECTOR

PC board layout and Assembly layout (Side entry type)



No. of circuits	Dimensions (mm)		
	V	Y	Z
12	33.64	24.5	28.0
16	40.64	31.5	35.0

X-ON Electronics

Largest Supplier of Electrical and Electronic Components

Click to view similar products for [Headers & Wire Housings](#) category:

Click to view products by [JST](#) manufacturer:

Other Similar products are found below :

[892-18-020-10-001101](#) [58102-G61-06LF](#) [582553-1](#) [0009485154](#) [009176003701906](#) [0050291907](#) [LY20-4P-DT1-P1E-BR](#) [02.125.8002.8](#)
[609-3404](#) [61062-3](#) [622-0430](#) [622-3653LF](#) [63453-116](#) [636-1030](#) [636-1427](#) [636-3427](#) [636-4007](#) [641938-9](#) [641991-4](#) [644827-2](#) [65817-010LF](#)
[65817-015LF](#) [65863-015LF](#) [66207-023LF](#) [67095-007LF](#) [67601157](#) [68648-049](#) [70.362.1628.0](#) [70-4210](#) [70-4226B](#) [70-4853B](#) [707-5020](#) [707-5028](#) [71.350.2428.0](#) [71918-208LF](#) [71961-016LF](#) [733-134](#) [733-162](#) [754199-000](#) [760-3052](#) [787-8014-00](#) [79531-3000](#) [FCN-360C032-B](#) [FCN-367T-T012/H](#) [FCN-723D010/2](#) [80.063.4001.1](#) [800-90-001-10-001000](#) [800-90-010-10-002000](#) [801-43-002-10-013000](#) [801-43-006-10-002000](#)