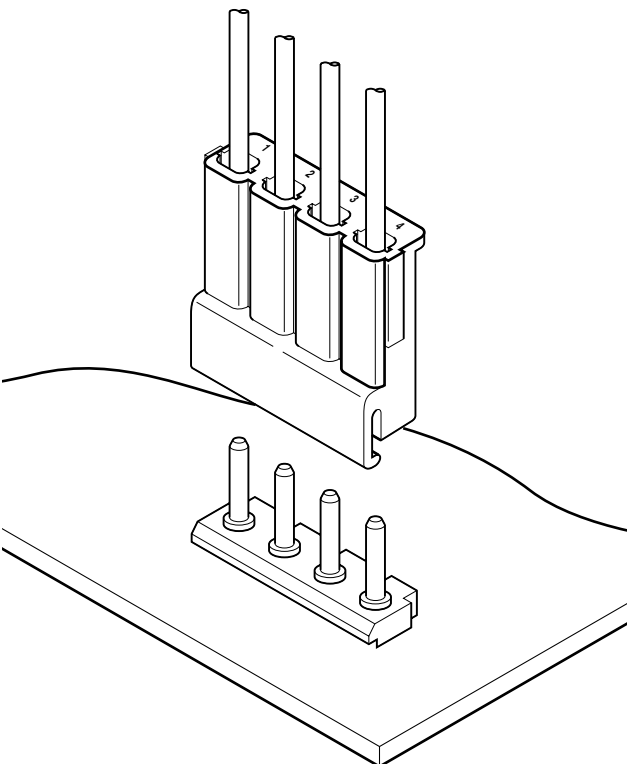
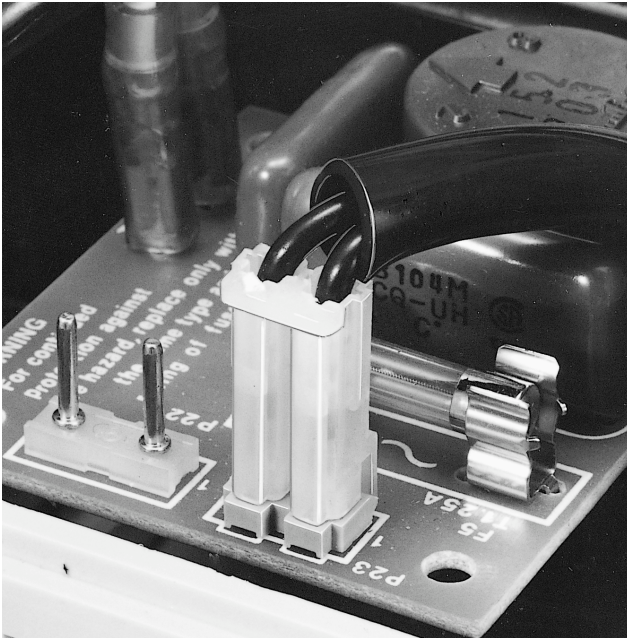


# SV CONNECTOR

Disconnectable Crimp style connectors



## Features

### • Anti-misinsertion feature

The directional features of the housing prevent reverse contact insertion.

### • Locking mechanism

The housings with two or four circuits have locking mechanisms. This feature also provides polarization so that the housing cannot be mismatched with the header.

## Specifications

- Current rating: 5A AC, DC (AWG #20)
- Voltage rating: 250V AC, DC
- Temperature range: -25°C to +85°C  
(including temperature rise in applying electrical current)
- Contact resistance: Initial value/10m Ω max.  
After environmental testing/15m Ω max.
- Insulation resistance: 1,000M Ω min.
- Withstanding voltage: 1,500V AC/minute
- Applicable wire: AWG #24 to #20
- Applicable PC board thickness: 1.6mm
- \* Compliant with RoHS.
- \* Refer to "General Instruction and Notice when using Terminals and Connectors" at the end of this catalog.
- \* Contact JST for details.

## Standards

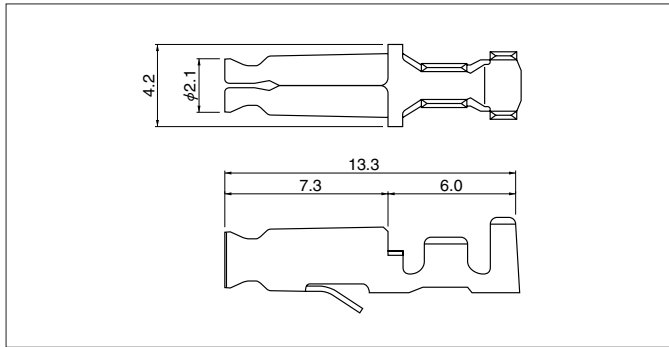
Recognized E60389

Certified LR20812

R75171

# SV CONNECTOR

## Contact



Model No.	Applicable wire			Q'ty / reel
	mm <sup>2</sup>	AWG #	Insulation O.D. (mm)	
<b>SVF-01T-1.5N</b>	0.2 to 0.5	24 to 20	1.5 to 2.5	4,000

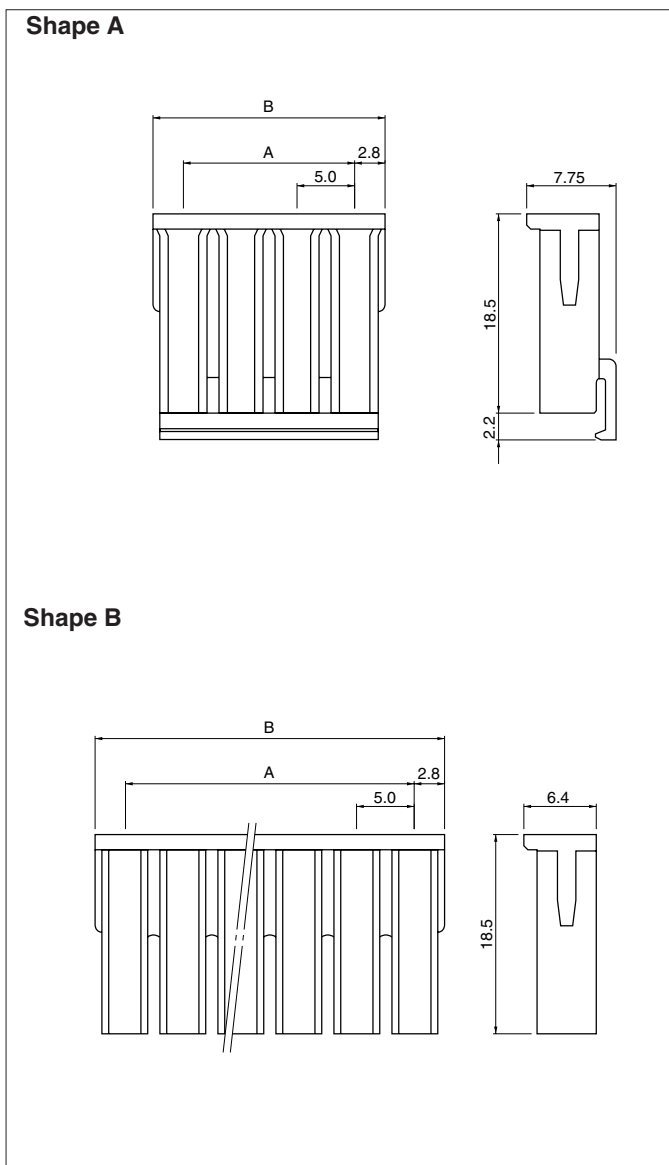
### Material and Finish

Brass, tin-plated (reflow treatment)

### RoHS compliance

Note: Contact JST for details if you require shielded wires, thin wires or other special wires, or if two wires must be crimped in one contact.

## Housing



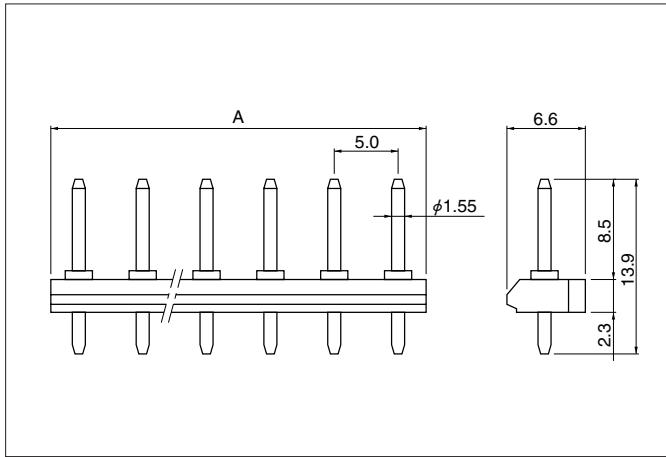
Circuits	Model No.	Shape	Dimensions (mm)		Q'ty / bag
			A	B	
2	<b>S 2P-SVF</b>	A	5.0	10.6	1,000
4	<b>S 4P-SVF</b>	A	15.0	20.6	500
6	<b>S 6P-SVF</b>	B	25.0	30.6	500
8	<b>S 8P-SVF</b>	B	35.0	40.6	200
10	<b>S10P-SVF</b>	B	45.0	50.6	200

### Material

PA 6, UL94V-2, natural (white)

### RoHS compliance

## Header



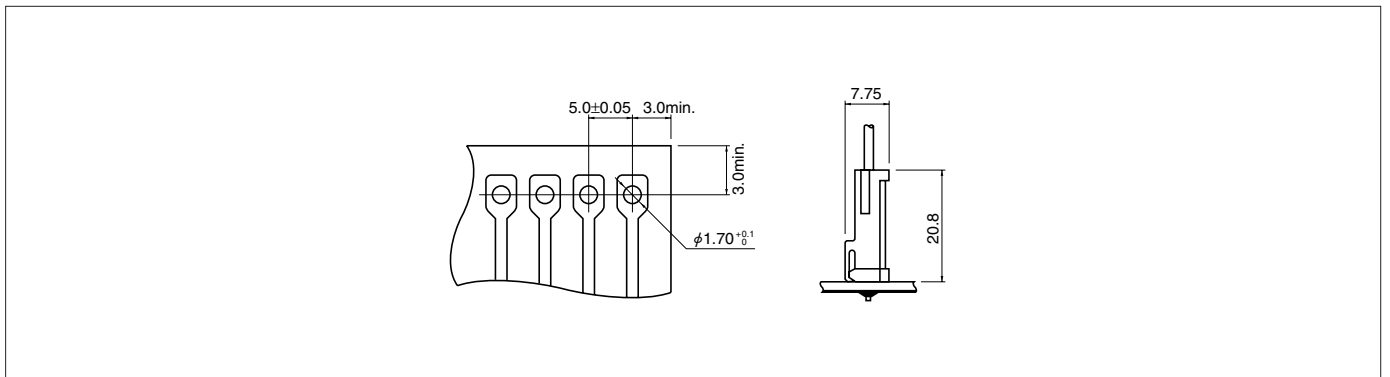
Cir-cuits	Model No.	Dimension A (mm)	Q'ty / box
2	<b>RTB-1.5-02F</b>	10.0	1,000
4	<b>RTB-1.5-04F</b>	20.0	500
6	<b>RTB-1.5-06F</b>	30.0	250
8	<b>RTB-1.5-08F</b>	40.0	200
10	<b>RTB-1.5-10F</b>	50.0	100

### Material and Finish

Post: Brass, nickel-undercoated, tin/copper alloy-plated  
 Wafer: Glass filled PA 66, UL94V-0, natural (ivory)

**RoHS compliance** This product displays (LF) on a label.

## PC board layout (viewed from soldering side) and Assembly layout



### Note:

1. Tolerances are non-cumulative:  $\pm 0.05$  mm for all centers.
2. Hole dimensions differ according to the kind of PC board and piercing method. The dimensions above should serve as a guideline. Contact JST for details.

## Crimping machine, Applicator

Contact	Crimping machine	Crimp applicator	Dies	Crimp applicator with dies
<b>SVF-01T-1.5N</b>	AP-K2N	MKS-L	MK/SVF-01-15N	APLMK SVF01-15N
		-	-	-

## X-ON Electronics

Largest Supplier of Electrical and Electronic Components

*Click to view similar products for [Headers & Wire Housings](#) category:*

*Click to view products by [JST](#) manufacturer:*

Other Similar products are found below :

[95000-104TRLF](#) [10135584-644402LF](#) [DF62W-EP2022PCA](#) [95000-106TRLF](#) [DF62W-2022SCA](#) [DF62W-EP2022PC](#) [2203348](#) [DF62W-2022SC](#) [1084018](#) [1029039](#) [1084017](#) [802-10-012-10-002000](#) [1112640](#) [1112639](#) [891-007-9SS-BST1T](#) [000-34000](#) [0008550134](#) [0009482033](#) [0009507031](#) [57102-F02-18ULF](#) [57102-S06-03LF](#) [57202-S52-04LF](#) [PCN6-15S-2.5E](#) [0039019024](#) [58102-G61-06LF](#) [582553-1](#) [0009485154](#) [0009508121](#) [0022285053](#) [0050291907](#) [018731A](#) [LY20-4P-DT1-P1E-BR](#) [02.125.8002.8](#) [60101931](#) [60598-1 \(Cut Strip\)](#) [M1625-3R/100](#) [61062-3](#) [61082-181009](#) [CSU011177004](#) [636-1427](#) [638009-1](#) [641938-9](#) [641991-4](#) [644168-1](#) [644827-2](#) [647662-1](#) [65039-019ELF](#) [65692-001LF](#) [65781-018](#) [65781-047](#)