

# BMSC CONNECTOR

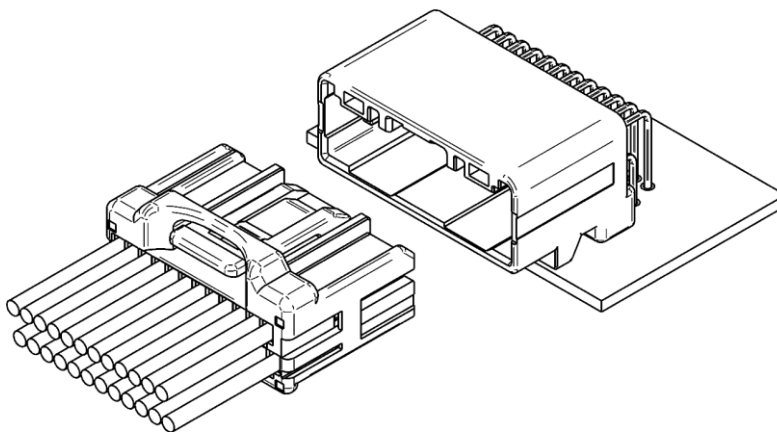
Board-to-wire



## ■ Features

- High reliability
- Low insertion force
- Key code options
- Flammability : UL94V-0

0.64 terminal, 2.2 mm pitch dual-row, board-to-wire connector for automotive applications.



## ■ Specifications

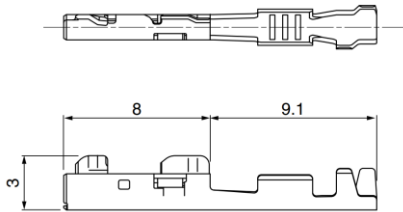
- Current rating : 5 A AC/DC (0.5mm<sup>2</sup>, Single circuit)
- Withstanding voltage : 1,000 VAC /minute
- Temperature range : -40°C to +105°C  
(including temperature rise in applying electrical current)
- Contact resistance : Initial value/ 20 mΩ max.  
After environmental tests/ 20 mΩ max.
- Insulation resistance : 100 MΩ min.
- Applicable wire : AVSS/CAVS  
0.3mm<sup>2</sup> to 0.5mm<sup>2</sup>  
AVSSH  
0.5mm<sup>2</sup>

\*Compliant with ELV/RoHS2.

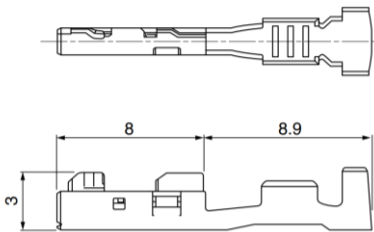
\*Contact JST for details.

**Female terminal**

● **0.64 female terminal SSS**



● **0.64 female terminal S**



Size	Model No.	Applicable wire range		Q'ty/reel
		Conductor (mm <sup>2</sup> )	Insulation O.D. (mm)	
*0.64SSS	<b>SNAC3-A001T-M0.64</b>	0.13	0.85	6,000
0.64S	<b>SNAC3-A021T-M0.64</b>	0.3 to 0.5	1.4 to 1.8	5,000

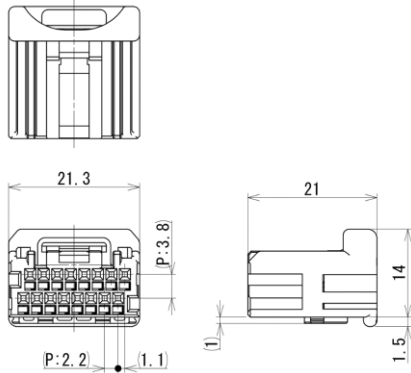
**Material and Finish**

Copper alloy, tin-plated

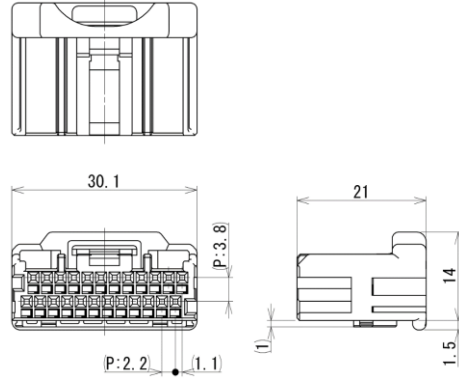
Note: \* Contact JST about the use of these parts.

## Female connector

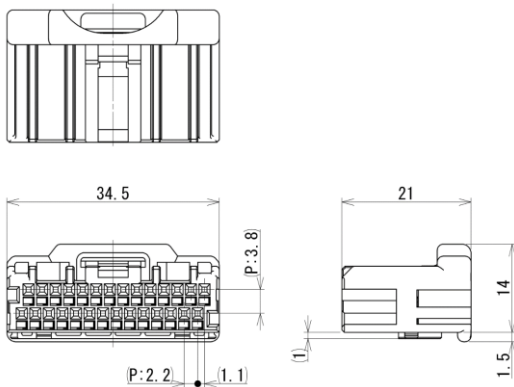
### ● 16 circuits



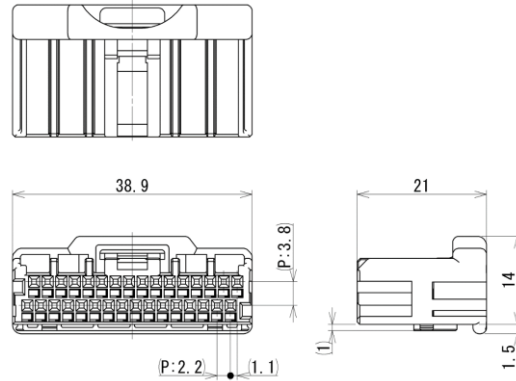
### ● 24 circuits



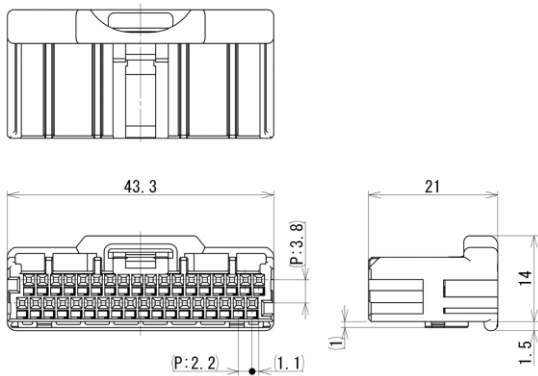
### ● 28 circuits



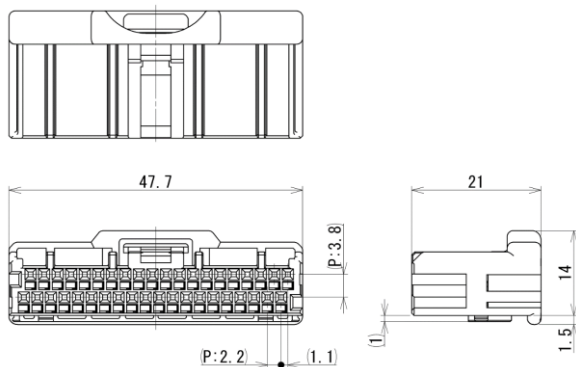
### ● 32 circuits



### ● 36 circuits



### ● 40 circuits



No. of circuits	Model No.	Color		Q'ty/box
		Housing	Retainer	
16	16BMSC-B-2A1	Black	Natural	784
24	24BMSC-B-2A1	Black	Natural	560
28	28BMSC-B-2A1	Black	Natural	448
32	32BMSC-B-2A1	Black	Natural	392
36	36BMSC-B-2A1	Black	Natural	336
40	40BMSC-B-2A1	Black	Natural	336

#### Material

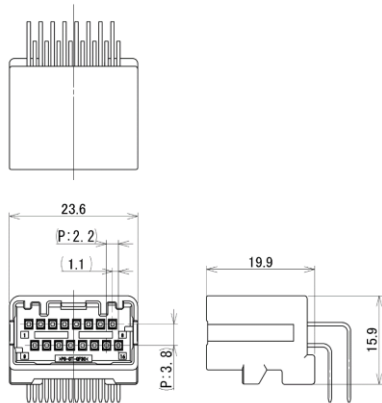
Housing: Glass-filled PBT,UL94V-0

Retainer: Glass-filled PBT,UL94V-0

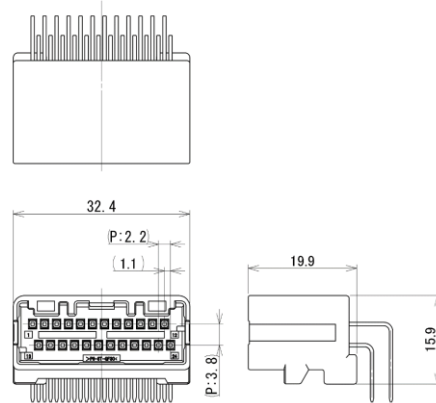
Note: Color/Key codes other than above-mentioned housing are also available.  
Contact JST for details.

## Male connector

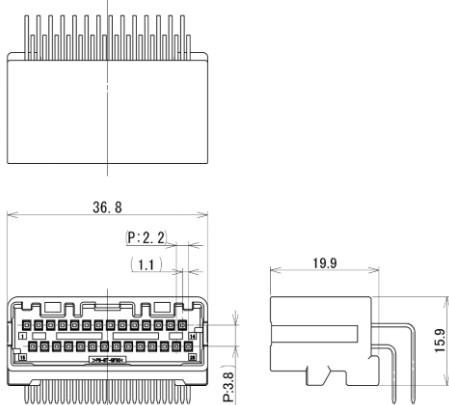
### ● 16 circuits



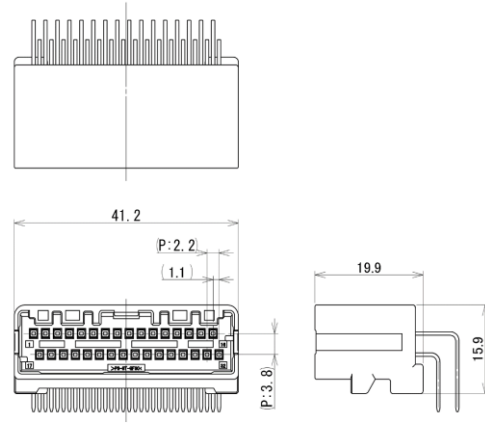
### ● 24 circuits



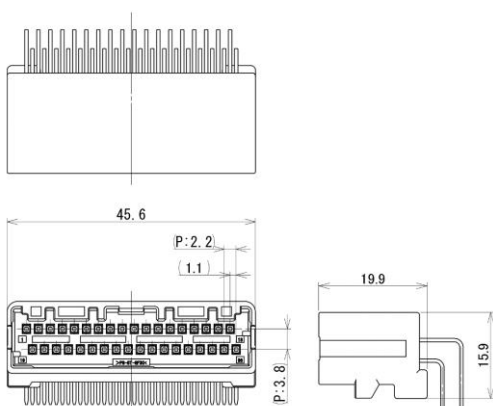
### ● 28 circuits



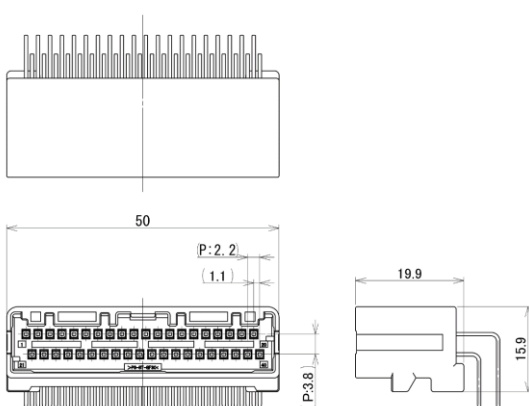
### ● 32 circuits



### ● 36 circuits



### ● 40 circuits



No. of circuits	Model No.	Housing Color	Q'ty/box
16	<b>S16B-BMSCK-2A1</b>	Black	480
24	<b>S24B-BMSCK-2A1</b>	Black	360
28	<b>S28B-BMSCK-2A1</b>	Black	320
32	<b>S32B-BMSCK-2A1</b>	Black	280
36	<b>S36B-BMSCK-2A1</b>	Black	240
40	<b>S40B-BMSCK-2A1</b>	Black	240

#### Material and Finish

Housing : Glass-filled SPS, UL94V-0

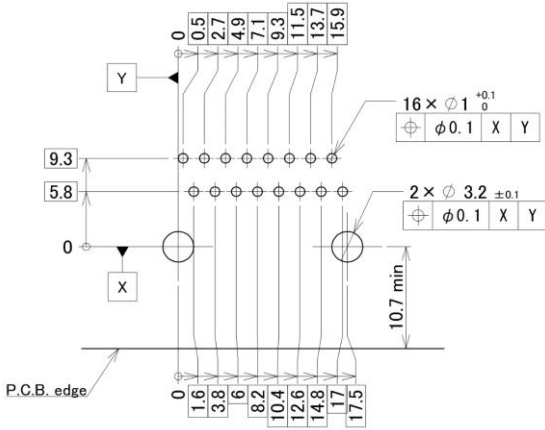
Terminal: Copper alloy, tin-plated

Note: Color/Key codes other than above-mentioned housing are also available.

Contact JST for details.

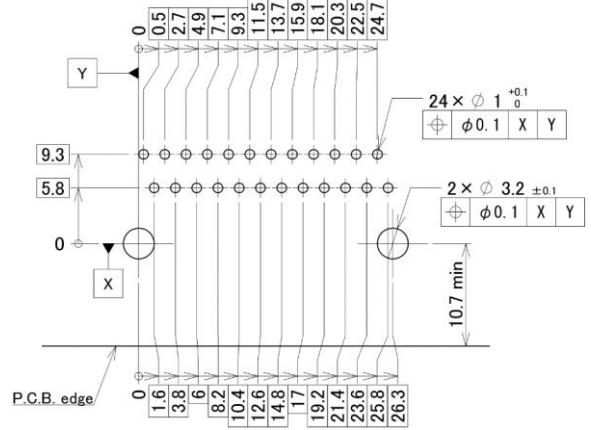
## PC board layout

### ● 16 circuits



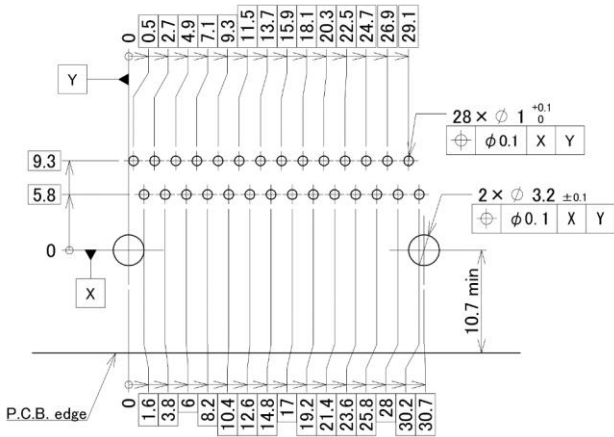
Connector mounted side

### ● 24 circuits



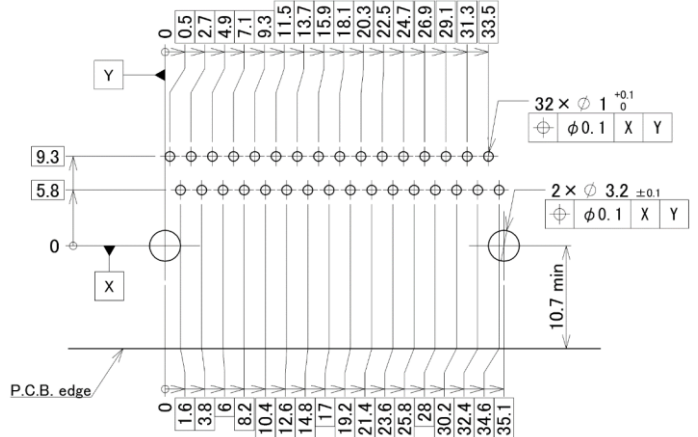
Connector mounted side

### ● 28 circuits



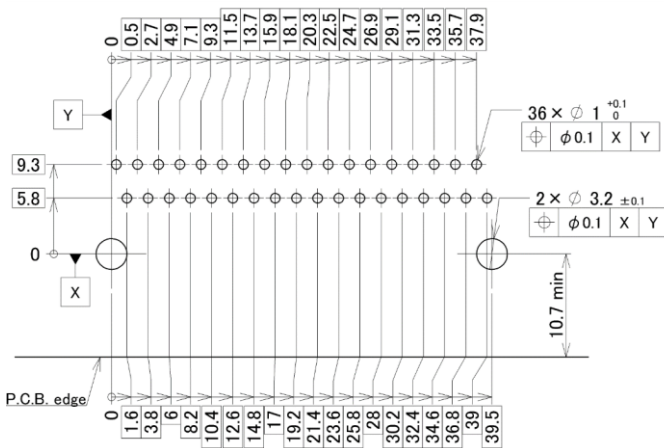
Connector mounted side

### ● 32 circuits



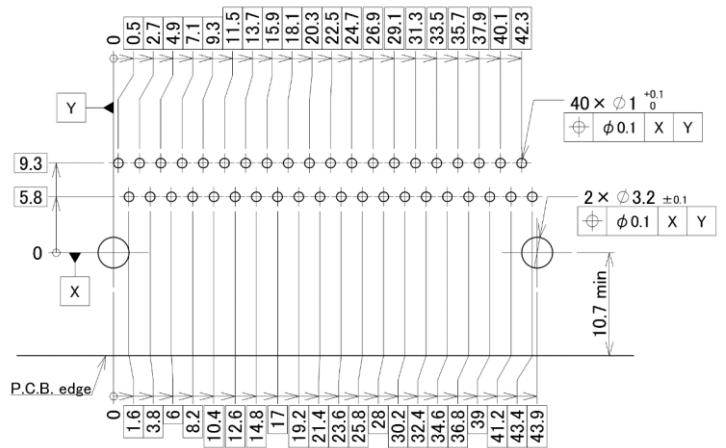
Connector mounted side

### ● 36 circuits



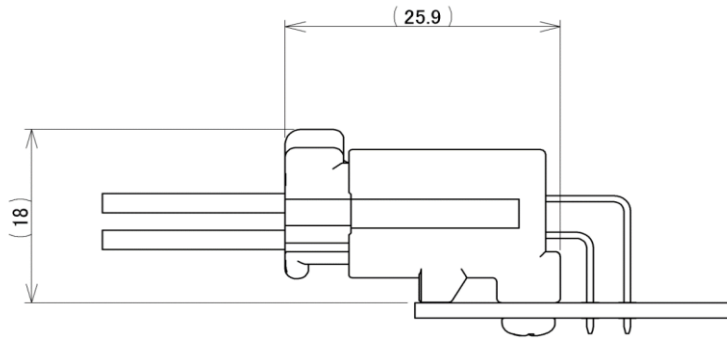
Connector mounted side

### ● 40 circuits



Connector mounted side

## Assembly layout



## Keycode

Keycode	A	B	C	D
Housing color	Black	Gray	Blue	Green
Configuration				
Female model No.	( )BMSC-B-2A1	( )BMSC-B-2A2	( )BMSC-B-2A3	( )BMSC-B-2A4
Male model No.	S( )B-BMSCK-2A1	S( )B-BMSCH-2A2	S( )B-BMSCE-2A3	S( )B-BMSCM-2A4

Note: Contact JST for details.

## Crimping machine, Applicator

Strip terminal	Crimping machine	Crimp applicator MKS-L		Hand crimp tool	Applicable wire
		Dies	Crimp applicator with dies		
<b>SNAC3-A001T-M0.64</b>	AP-K2N	MK/SNAC3-A001-064	APLMK SNAC3-A001-064	-	-
<b>SNAC3-A021T-M0.64</b>		MK/SNAC3-A021-064	APLMK SNAC3-A021-064	YRK-1003	AVSS0.5,CAVS0.5

Note: 1. When crimping operation is conducted using an applicator and die set other than the above, JST cannot guarantee the performance of the terminal.  
 2. Contact JST for details.