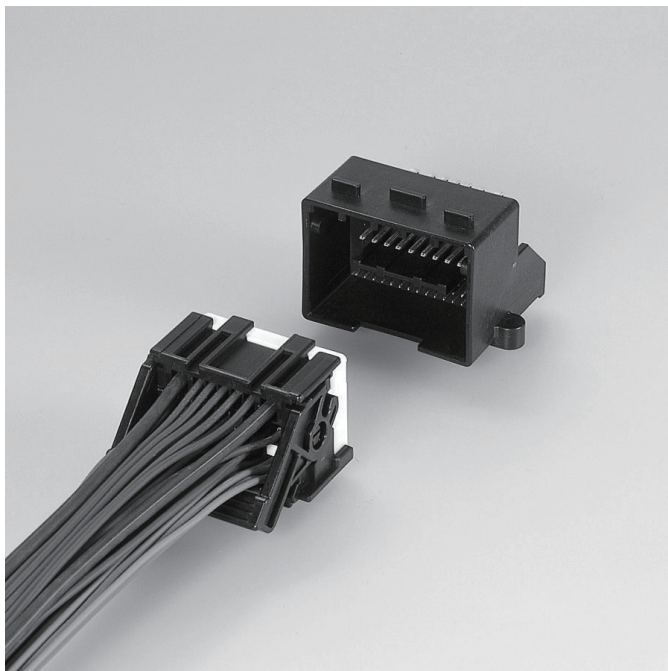


RADCONNECTOR

Board-to-wire



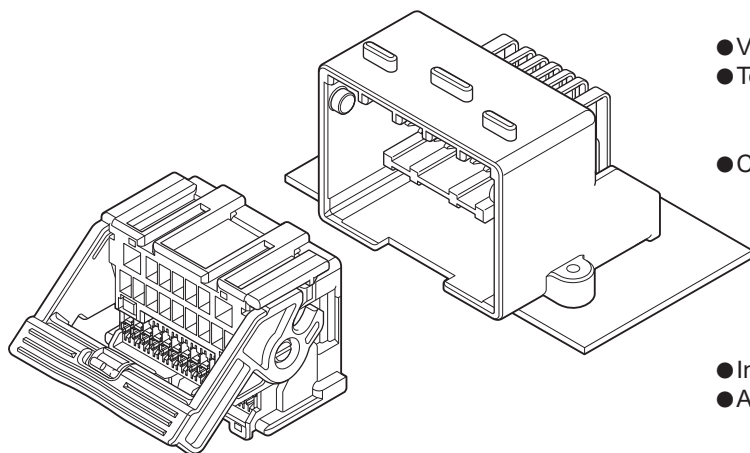
0.64/1.5/2.8 hybrid circuits unsealed board-to-wire connector with lever mechanism proven in Automotive Radio application.

Features

- Optimum Combination of Power and Signal pins for Car Audio System
- 44 Circuits 0.64/1.5/2.8 Hybrid Board-to-Wire Connection System
- Pre-set Terminal Position Assurance (TPA)
- Pre-locked lever mechanism for low overall mating force
- Compact design

Specifications

- Current rating: Signal; 5 A DC max. (0.64 Terminal)
Power; 15 A DC max. (1.5 Terminal)
Power; 25 A DC max. (2.8 Terminal)
- Voltage rating: 14 V DC
- Temperature range: -40°C to +85°C
(including temperature rise in applying electrical current)
- Contact resistance:
 - 0.64 Terminal; Initial value/ 15 mΩ max.
After environmental tests/ 15 mΩ max.
 - 1.5 Terminal; Initial value/ 8 mΩ max.
After environmental tests/ 8 mΩ max.
 - 2.8 Terminal; Initial value/ 5 mΩ max.
After environmental tests/ 5 mΩ max.
- Insulation resistance: 100 MΩ min.
- Applicable wire:
 - 0.64 Terminal; SAE/AVSS/CAVS, 0.3 mm² to 0.8 mm²
 - 1.5 Terminal; 0.35 mm² to 1.0 mm²
 - 2.8 Terminal; 0.35 mm² to 5.0 mm²

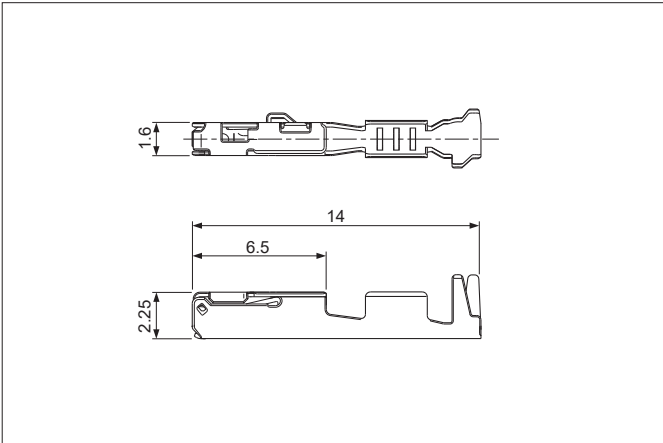


* Compliant with ELV/RoHS2.

* Contact JST for details.

RAD CONNECTOR

Female terminal



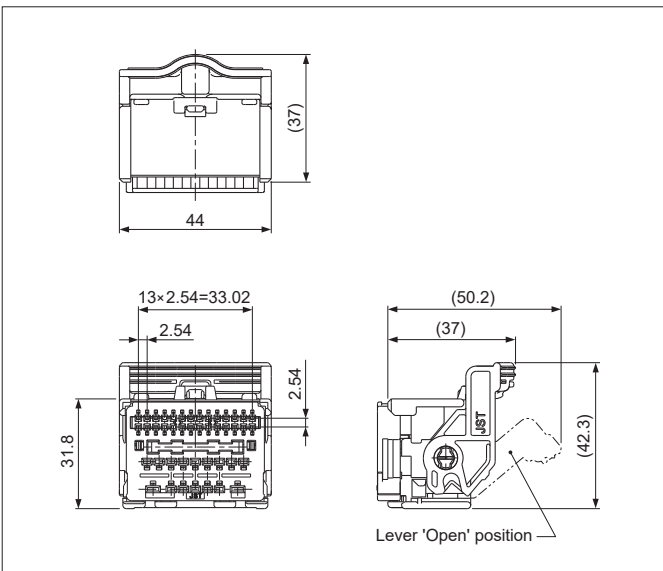
Terminal	Model No.	Applicable wire range		Q'ty/reel
		Conductor (mm ²)	Insulation O.D. (mm)	
0.64	SAIT-A03T-M064	0.3 to 0.5	≤1.9	6,500
	SAIT-A02T-M064	0.75 to 0.8	≤1.9	6,500
1.5	GT150 or equivalent Terminal (customer specified Terminal)			
2.8	GT280 or equivalent Terminal (customer specified Terminal)			

Material and Finish

0.64 Terminal: Copper alloy, tin-plated (reflow treatment)

1.5, 2.8 Terminal: Copper alloy, (Please contact Delphi Connection Systems for details.)

Female connector



Circuits	Model No.	Q'ty/box
44	RADPB-44-1AK	180

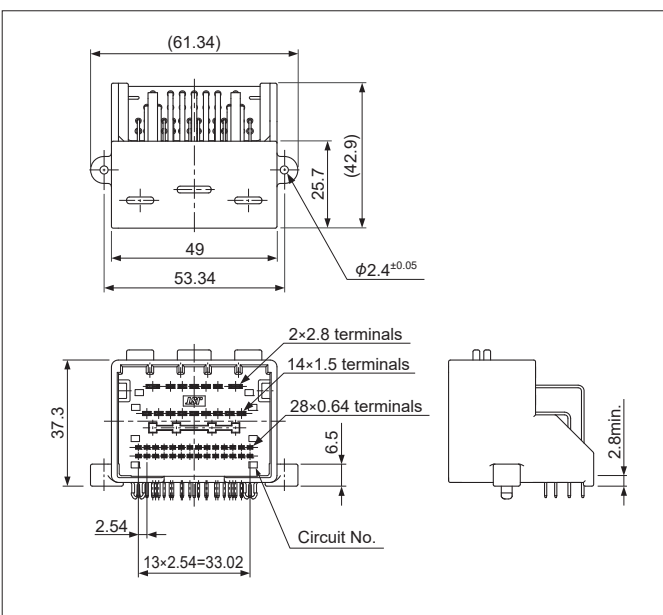
Material and Finish

Housing: Glass-filled PBT, black

TPA: Glass-filled PBT, natural (white)

Lever: Glass-filled PBT, black

Male connector



Circuits	Model No.	Q'ty/box
44	S44B-RAD1AK	105

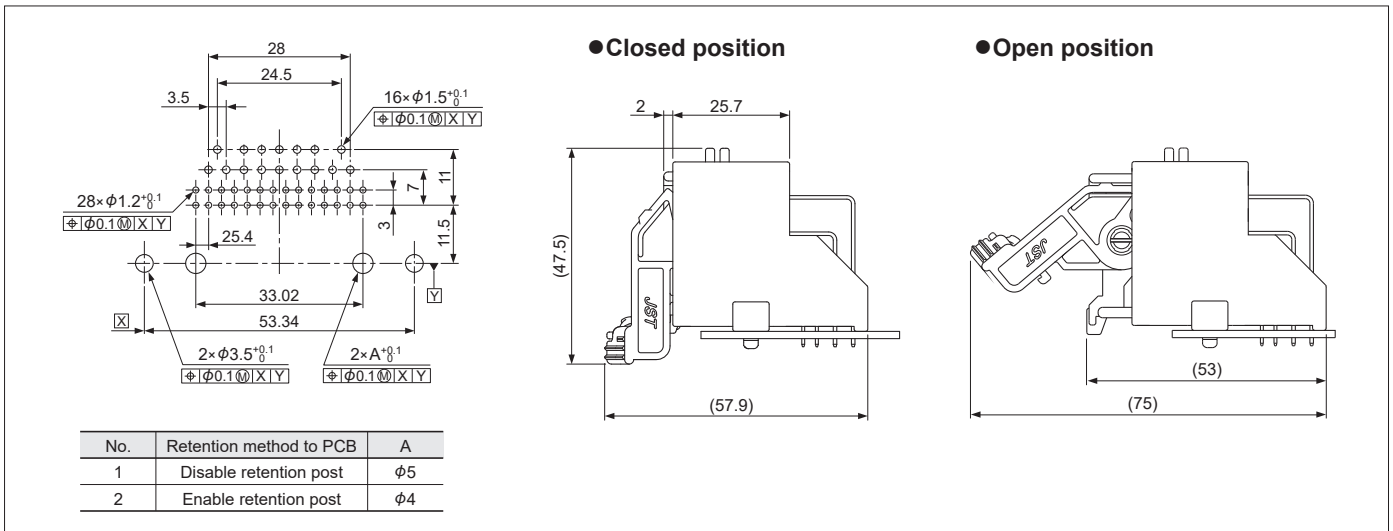
Material and Finish

Housing: Glass-filled PBT, black

Tine-plate: Glass-filled PBT, black

Pin: Copper alloy, tin-plated

PC board layout, Assembly layout



Note: 1. Tolerances are non-cumulative: ± 0.05 mm for all centers.
 2. Hole dimensions differ according to the type of PC board and piercing method.
 The dimensions above should serve as guideline. Contact JST for details.

Crimping machine, Applicator

Strip terminal	Crimping machine	Crimp applicator MKS-L	
		Dies	Crimp applicator with dies
SAIT-A03T-M064	AP-K2N	MK/SAIT-A03-064	APLMK SAIT-A03-064
SAIT-A02T-M064		MK/SAIT-A02-064	APLMK SAIT-A02-064

Note: When crimping operation is conducted using an applicator and die set other than the above, JST cannot guarantee the performance of the terminal.

X-ON Electronics

Largest Supplier of Electrical and Electronic Components

Click to view similar products for [Automotive Connectors](#) category:

Click to view products by [JST](#) manufacturer:

Other Similar products are found below :

[003-018-000](#) [60403001](#) [60993906-B](#) [M902-2131](#) [M902-2161](#) [M902-2344](#) [72.330.1035.1](#) [73.353.4028.0](#) [F119300-B](#) [F166900](#) [F258300-B](#)
[F358300-B](#) [F407400](#) [F444110](#) [F487000](#) [F509500B-B](#) [827153-1](#) [8N1515-32-24P](#) [9-1326729-8](#) [925474-1](#) [928905-1](#) [964562-4](#) [968782-1](#)
[GT17SA-8DS-HU](#) [98891-1012](#) [98947-1016](#) [12004147](#) [12004475-L](#) [12010290](#) [12015454](#) [12020219-B](#) [12041318-B](#) [12052225-L](#) [12052466](#)
[12064869](#) [12004327-B](#) [12015308](#) [12015384](#) [12015909](#) [1-21030-1](#) [12041254](#) [12041318](#) [12047946-B](#) [12047957](#) [12047957-L](#) [12059473](#)
[12066261](#) [12110546](#) [12110546-B](#) [12131792](#)