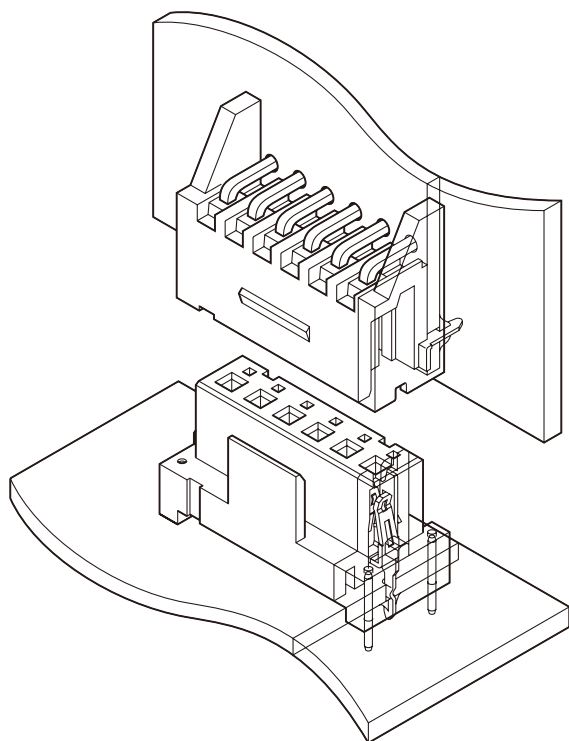
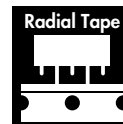


# JL CONNECTOR

2.5mm pitch/Board-to-board connectors



**The JL connector is designed for board-to-board connection in electronic equipment requiring high-density mounting and unitization. This connector is highly resistant to equipment vibration and shock.**

- **High contact pressure**
- **Housing lock assures good connection even after severe shock & vibration**
- **Reinforcing pins increase PCB mounting durability**
- **Polarized, fully shrouded header aligns the connector halves before their pins make contact**

## Specifications

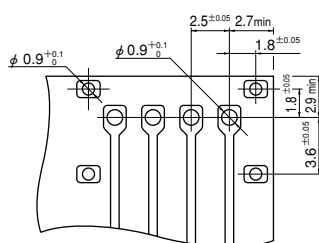
- Current rating: 3A AC, DC
- Voltage rating: 250V AC, DC
- Temperature range: -25°C to +85°C  
(including temperature rise in applying electrical current)
- Contact resistance: Initial value/10m Ω max.  
After environmental testing/20m Ω max.
- Insulation resistance: 1,000M Ω min.
- Withstanding voltage: 1,000V AC/minute
- Applicable PC board thickness: 1.6mm
- \* Compliant with RoHS.
- \* Refer to "General Instruction and Notice when using Terminals and Connectors" at the end of this catalog.
- \* Contact JST for details.

## Standards

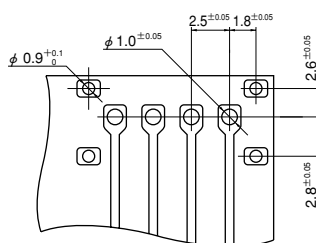
- Ⓜ Recognized E60389
- Ⓢ Certified LR20812

### PC board layout (viewed from soldering side) and Assembly layout

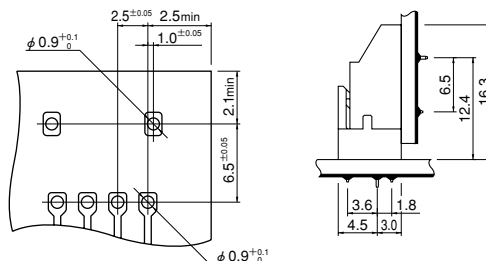
#### Receptacle



#### Receptacle on radial-tape



#### Shrouded header

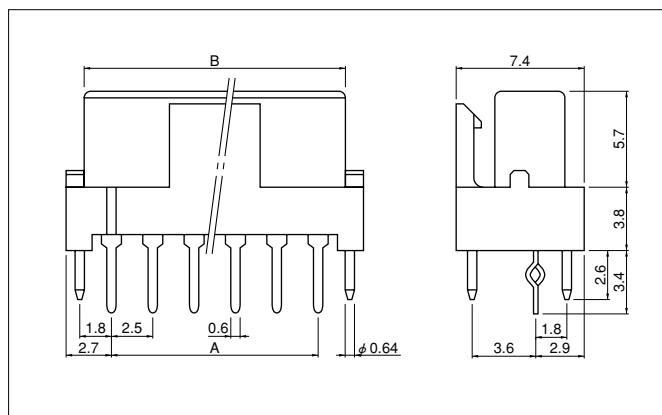


Note: 1. Tolerances are non-cumulative:  $\pm 0.05\text{mm}$  for all centers.

2. Hole dimensions differ according to the kind of PC board and piercing method. The dimensions above should serve as a guideline. Contact JST for details.

# JL CONNECTOR

## Receptacle



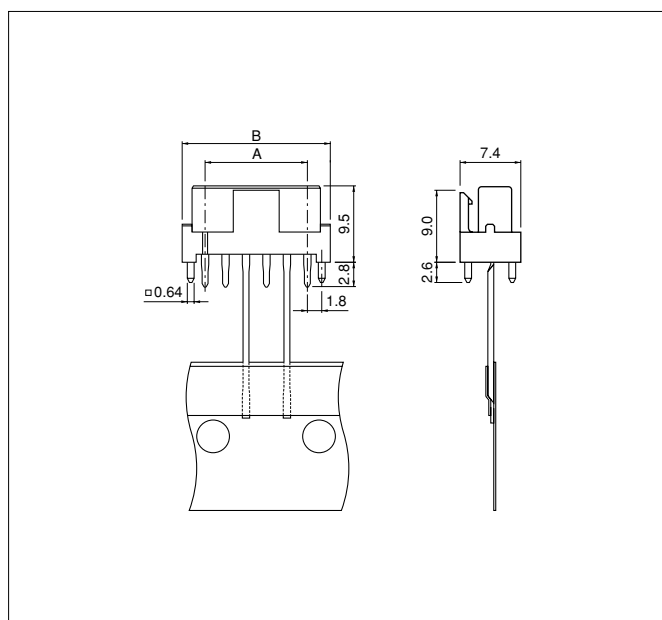
Circuits	Model No.	Dimensions (mm)		Qty / box
		A	B	
3	<b>03JL-BT-E</b>	5.0	8.2	250
4	<b>04JL-BT-E</b>	7.5	10.7	200
5	<b>05JL-BT-E</b>	10.0	13.2	200
6	<b>06JL-BT-E</b>	12.5	15.7	200
7	<b>07JL-BT-E</b>	15.0	18.2	200
8	<b>08JL-BT-E</b>	17.5	20.7	100
9	<b>09JL-BT-E</b>	20.0	23.2	100
10	<b>10JL-BT-E</b>	22.5	25.7	100
11	<b>11JL-BT-E</b>	25.0	28.2	100
12	<b>12JL-BT-E</b>	27.5	30.7	100
13	<b>13JL-BT-E</b>	30.0	33.2	100
15	<b>15JL-BT-E</b>	35.0	38.2	50

### Material and Finish

Contact: Phosphor bronze, tin-plated (reflow treatment)  
Housing: PA 66, UL94V-0, blue  
Reinforcing pins: Brass, copper-undercoated, tin-plated (reflow treatment)

**RoHS compliance** This product displays (LF)(SN) on a label.

## Receptacle on radial-tape



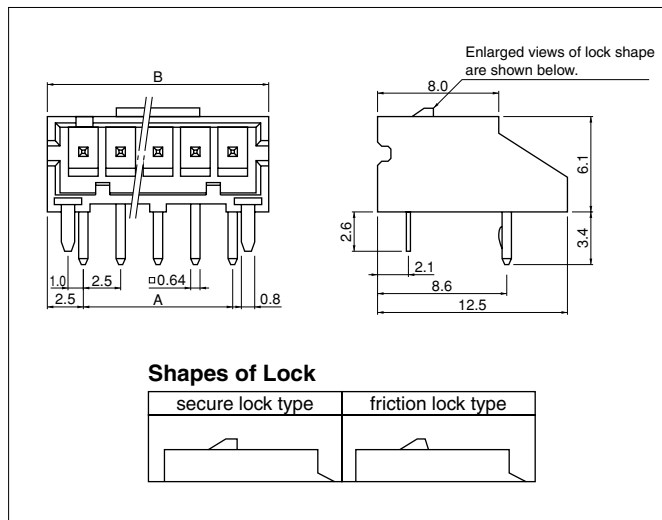
Circuits	Model No.	Dimensions (mm)		Qty / box
		A	B	
5	<b>05JL-BT-M-T</b>	10.0	15.4	400
6	<b>06JL-BT-M-T</b>	12.5	17.9	400
7	<b>07JL-BT-M-T</b>	15.0	20.4	400
8	<b>08JL-BT-M-T</b>	17.5	22.9	400

### Material and Finish

Contact: Phosphor bronze, tin-plated (reflow treatment)  
Housing: PA 66, UL94V-0  
Reinforcing pins: Brass, copper-undercoated, tin-plated (reflow treatment)

**RoHS compliance** This product displays (LF)(SN) on a label.

## Shrouded header



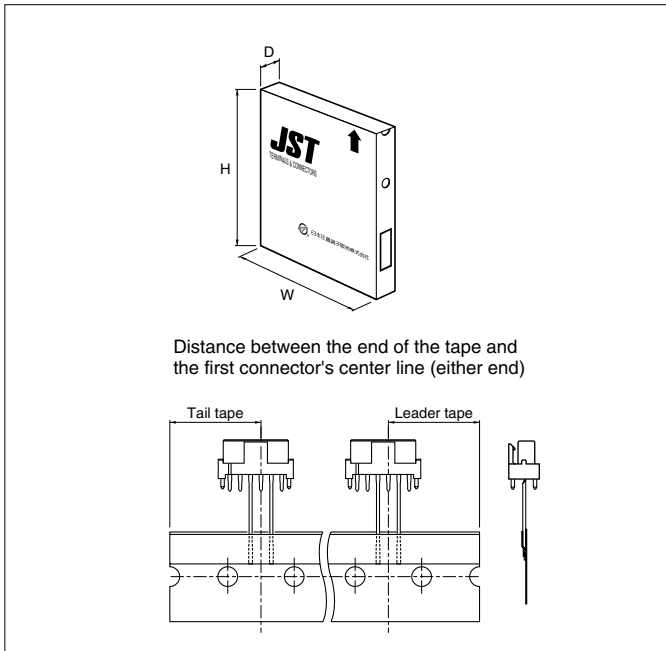
Circuits	Model No.		Dimensions (mm)		Qty / box
	secure lock type	friction lock type	A	B	
3	<b>S3B-JL-R</b>	<b>S3B-JL-F-E</b>	5.0	10.0	250
4	<b>S4B-JL-R</b>	<b>S4B-JL-F-E</b>	7.5	12.5	200
5	<b>S5B-JL-R</b>	<b>S5B-JL-F-E</b>	10.0	15.0	200
6	<b>S6B-JL-R</b>	<b>S6B-JL-F-E</b>	12.5	17.5	200
7	<b>S7B-JL-R</b>	<b>S7B-JL-F-E</b>	15.0	20.0	200
8	<b>S8B-JL-R</b>	<b>S8B-JL-F-E</b>	17.5	22.5	100
9	<b>S9B-JL-R</b>	<b>S9B-JL-F-E</b>	20.0	25.0	100
10	<b>S10B-JL-R</b>	<b>S10B-JL-F-E</b>	22.5	27.5	100
11	<b>S11B-JL-R</b>	<b>S11B-JL-F-E</b>	25.0	30.0	100
12	<b>S12B-JL-R</b>	<b>S12B-JL-F-E</b>	27.5	32.5	100
13	<b>S13B-JL-R</b>	<b>S13B-JL-F-E</b>	30.0	35.0	100
15	<b>S15B-JL-R</b>	<b>S15B-JL-F-E</b>	35.0	40.0	100

### Material and Finish

Post: Brass, copper-undercoated, tin-plated (reflow treatment)  
Wafer: PA 66, UL94V-0, red (secure lock type), blue (friction lock type)  
Reinforcing pins: Brass, tin-plated (reflow treatment)

**RoHS compliance** This product displays (LF)(SN) on a label.

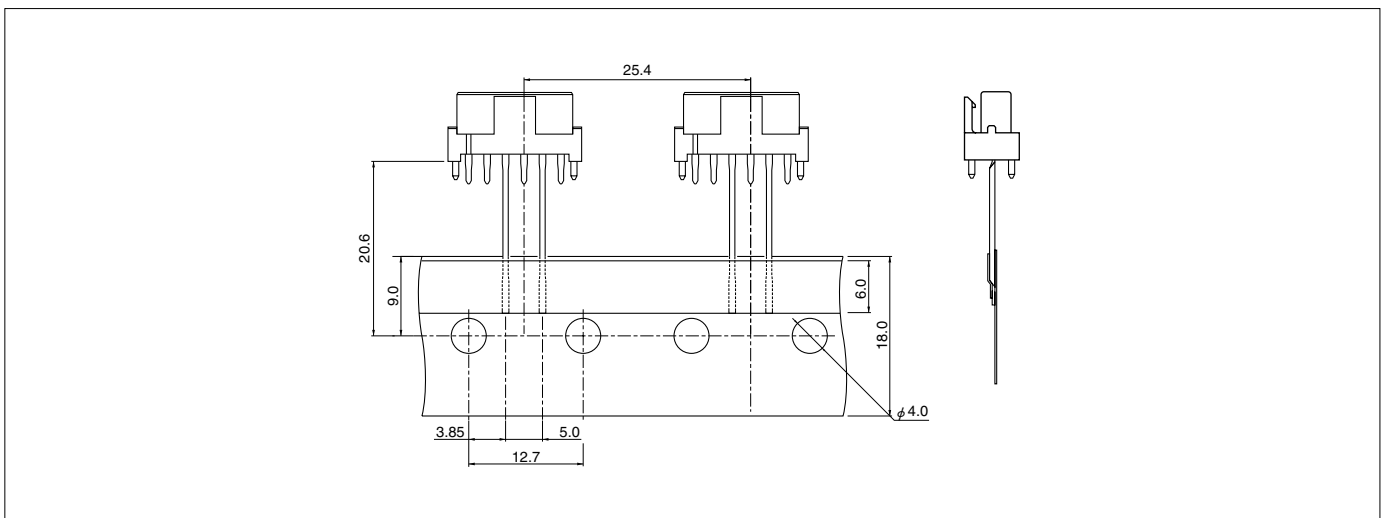
## Packaging specifications



Package type	Flat pack (zigzag folded)	
Distance between folds	24 indexing holes per fold (304.8mm)	
Box size	315(W)×48(D)×285(H)mm	
Distance between the end of the tape and the first connector's center line (either end)	19.05mm	
Quantity	5~8 circuits	400 pcs. / box
Flat pack		

*Note: Products of different packaging specifications are also available. Contact JST for details.*

## Taping Specifications



*Note: Conforms to JIC C 0806 of "Tape packaging of components with unidirectional leads on continuous tapes".*

## X-ON Electronics

Largest Supplier of Electrical and Electronic Components

*Click to view similar products for [Headers & Wire Housings](#) category:*

*Click to view products by [JST](#) manufacturer:*

Other Similar products are found below :

[57102-F02-18ULF](#) [58102-G61-06LF](#) [0009485154](#) [009176003701906](#) [0050291907](#) [02.125.8002.8](#) [609-3404](#) [61062-3](#) [622-0430](#) [622-3653LF](#)  
[63453-116](#) [636-1030](#) [636-1427](#) [636-3427](#) [636-4007](#) [641938-9](#) [644827-2](#) [65495-038](#) [65692-001LF](#) [65781-018](#) [65781-047](#) [65817-010LF](#)  
[65817-015LF](#) [66207-023LF](#) [67016-026LF](#) [67095-007LF](#) [68631-112](#) [68645-018](#) [68648-049](#) [699319-000](#) [70.362.1628.0](#) [70-4210](#) [70-4226B](#)  
[70-4853B](#) [707-5020](#) [707-5028](#) [71.350.2428.0](#) [71961-016LF](#) [733-134](#) [754199-000](#) [760-3052](#) [787-8014-00](#) [FCN-367T-T012/H](#) [80.063.4001.1](#)  
[800-90-001-10-001000](#) [800-90-010-10-002000](#) [801-43-002-10-013000](#) [801-43-006-10-002000](#) [803-41-018-10-001000](#) [803-43-014-20-](#)  
[001000](#)